



US00D772649S

(12) **United States Design Patent** (10) **Patent No.:** **US D772,649 S**
Kettavong (45) **Date of Patent:** **** Nov. 29, 2016**

(54) **TAMPER HOLDER**

- (71) Applicant: **Vita-Mix Corporation**, Olmstead Township, OH (US)
- (72) Inventor: **Phonesacksith Guy Kettavong**, Kent, OH (US)
- (73) Assignee: **Vita-Mix Management Corporation**, Olmsted Township, OH (US)
- (**) Term: **15 Years**
- (21) Appl. No.: **29/533,502**
- (22) Filed: **Jul. 17, 2015**

Related U.S. Application Data

- (62) Division of application No. 29/499,803, filed on Aug. 19, 2014, now abandoned.
- (51) **LOC (10) Cl.** **31-00**
- (52) **U.S. Cl.**
USPC **D7/412**; D7/376; D7/378
- (58) **Field of Classification Search**
USPC D7/372, 376-386, 412-413, 602, 620, D7/629, 637, 665-666, 669, 679, D7/693-694; D28/73
CPC A21C 1/02; A21C 1/04; A23N 1/00; A23N 1/02; A45F 5/02; A47G 23/0225; A47J 43/04; A47J 43/25; A47J 43/27; A47J 43/042; A47J 43/044; A47J 43/046; A47J 43/075; A47J 43/0722; A47J 43/0727; A47K 1/08; A47K 1/09; B01F 3/00; B01F 3/0807; B01F 3/0853; B01F 13/0059; B01F 13/0064; B02C 1/08; B02C 2/04; B02C 4/42; B02C 4/142; B02C 4/143; B02C 4/423; B02C 13/1835; B28C 5/10; B28C 5/12; B28C 5/14; B28C 5/16; B60N 3/103; F41B 13/04

See application file for complete search history.

(56) **References Cited**

U.S. PATENT DOCUMENTS

969,524 A *	9/1910	Condon	F41B 13/04 224/247
1,305,777 A	6/1919	Cunningham	
2,286,012 A	6/1942	Rochow	
2,481,731 A	9/1949	Dubin	
2,606,689 A	8/1952	Kistner	
2,802,605 A	8/1957	Parker	
2,919,086 A	12/1959	McMahan	
3,107,711 A	10/1963	Azmus	
3,407,429 A	10/1968	Di Nardo	
D226,623 S *	4/1973	Shuford	220/741

(Continued)

OTHER PUBLICATIONS

Blane R. Copenheaver, International Search Report, PCT/US2014/071462, Apr. 17, 2015, ISA/US, Alexandria, Virginia.

(Continued)

Primary Examiner — Ricky Pham

(74) *Attorney, Agent, or Firm* — McDonald Hopkins LLC

(57) **CLAIM**

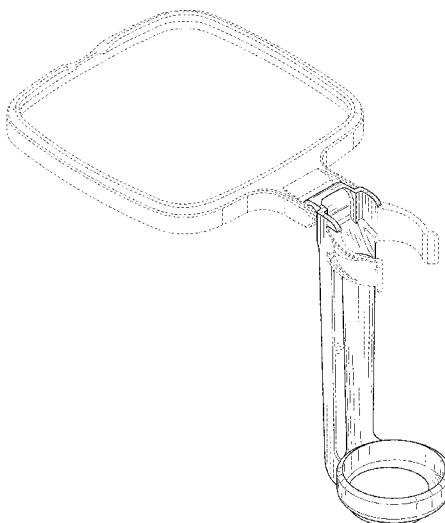
The ornamental design for a tamper holder, as shown and described.

DESCRIPTION

FIG. 1 is a perspective view of a tamper holder showing my new design;
 FIG. 2 is a first side view thereof;
 FIG. 3 is a second side view thereof;
 FIG. 4 is a front view thereof;
 FIG. 5 is a rear view thereof;
 FIG. 6 is a top view thereof; and,
 FIG. 7 is a bottom view thereof.

The broken lines in the figures are included for the purpose of illustrating portions of a tamper holder and form no part of the claimed design.

1 Claim, 7 Drawing Sheets



(56)

References Cited

U.S. PATENT DOCUMENTS

4,561,782 A 12/1985 Jacobsen
 4,634,089 A * 1/1987 Wright B60N 3/103
 248/205.2
 4,767,092 A * 8/1988 Weatherly A47K 1/08
 248/214
 4,790,503 A 12/1988 Pohler
 4,993,611 A 2/1991 Longo
 5,042,770 A * 8/1991 Louthan A47K 1/09
 248/205.3
 5,232,137 A * 8/1993 Devine A45F 5/02
 222/175
 5,302,021 A 4/1994 Jennett
 5,361,950 A 11/1994 Signal
 D358,967 S * 6/1995 Knighton D7/620
 D379,288 S * 5/1997 Azar D7/620
 5,662,032 A 9/1997 Baratta
 5,887,830 A 3/1999 Liang
 5,979,673 A 11/1999 Dooley
 5,996,957 A * 12/1999 Kurtz A47G 23/0225
 248/231.21
 6,237,802 B1 5/2001 Douglas
 D453,322 S 2/2002 Lee
 D458,086 S 6/2002 Marks et al.
 6,663,068 B2 * 12/2003 Huang A47G 23/0225
 224/926
 6,832,543 B2 12/2004 Siano
 D505,390 S 5/2005 Lee et al.

7,040,799 B2 5/2006 Pryor
 D539,102 S * 3/2007 Goodman D7/601
 D550,513 S * 9/2007 Mazza D7/620
 D551,915 S 10/2007 Chang Chien
 D603,660 S 11/2009 Holcomb et al.
 7,648,264 B2 1/2010 Breviere et al.
 D660,643 S 5/2012 Boozer et al.
 8,172,454 B2 5/2012 Choi
 D666,056 S 8/2012 Boozer et al.
 D669,636 S * 10/2012 Goodman D28/38
 D702,078 S 4/2014 Coakley et al.
 8,740,159 B2 6/2014 Braun
 2005/0023940 A1 2/2005 Van Beusekom
 2005/0236531 A1 10/2005 Joeckel
 2008/0035590 A1 2/2008 Huang
 2009/0129200 A1 5/2009 Breviere et al.
 2010/0232256 A1 9/2010 Pryor, Jr.
 2014/0034795 A1 2/2014 Brinkmann

OTHER PUBLICATIONS

Blane R. Copenheaver, Written Opinion of International Searching Authority PCT/US2014/071462, Apr. 17, 2015, ISA/US, Alexandria, Virginia.
 US Office Action Communication, U.S. Appl. No. 14/577,391, notification date Oct. 16, 2015, 12 pgs., US Patent and Trademark Office.

* cited by examiner

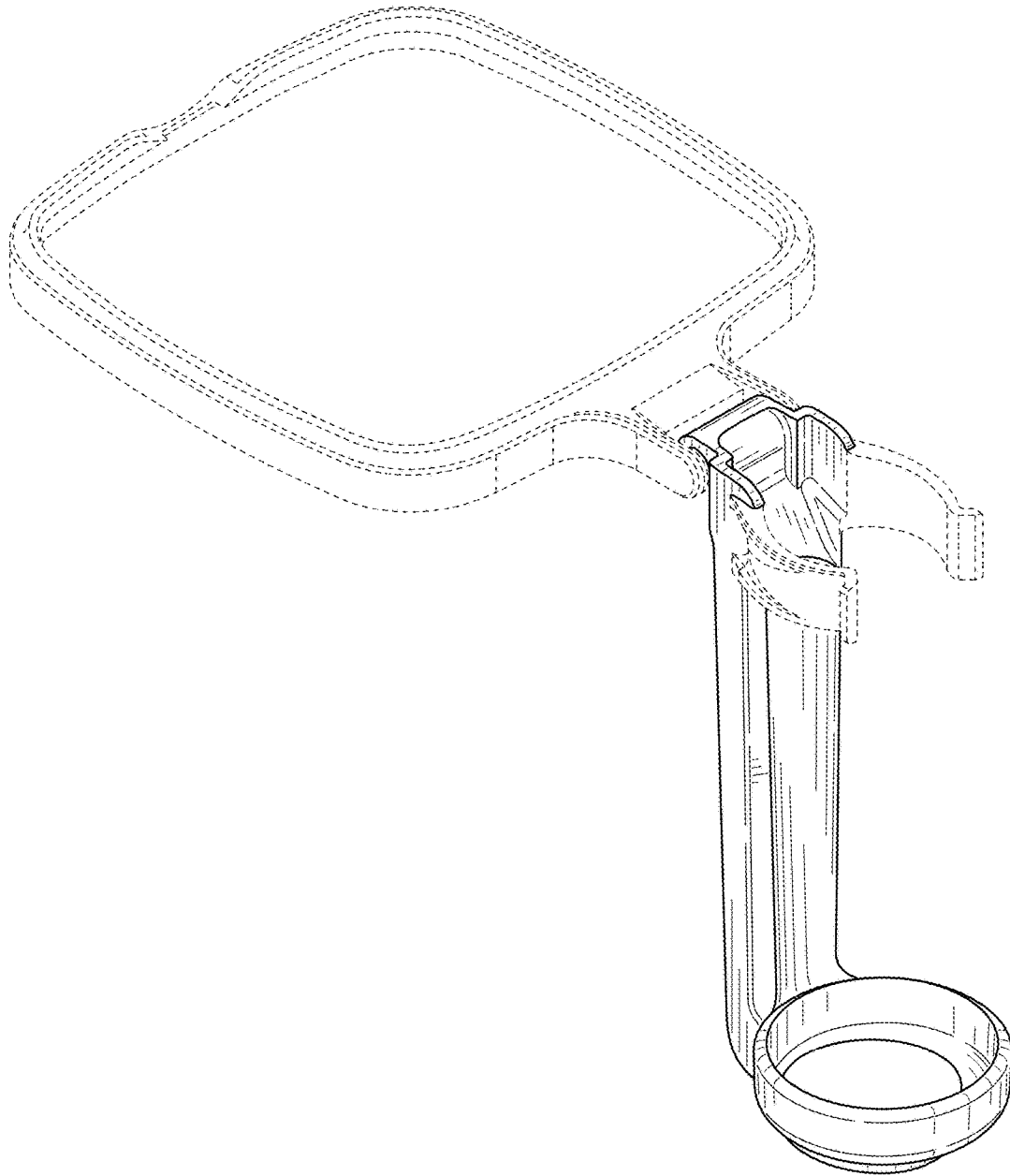


FIG. 1

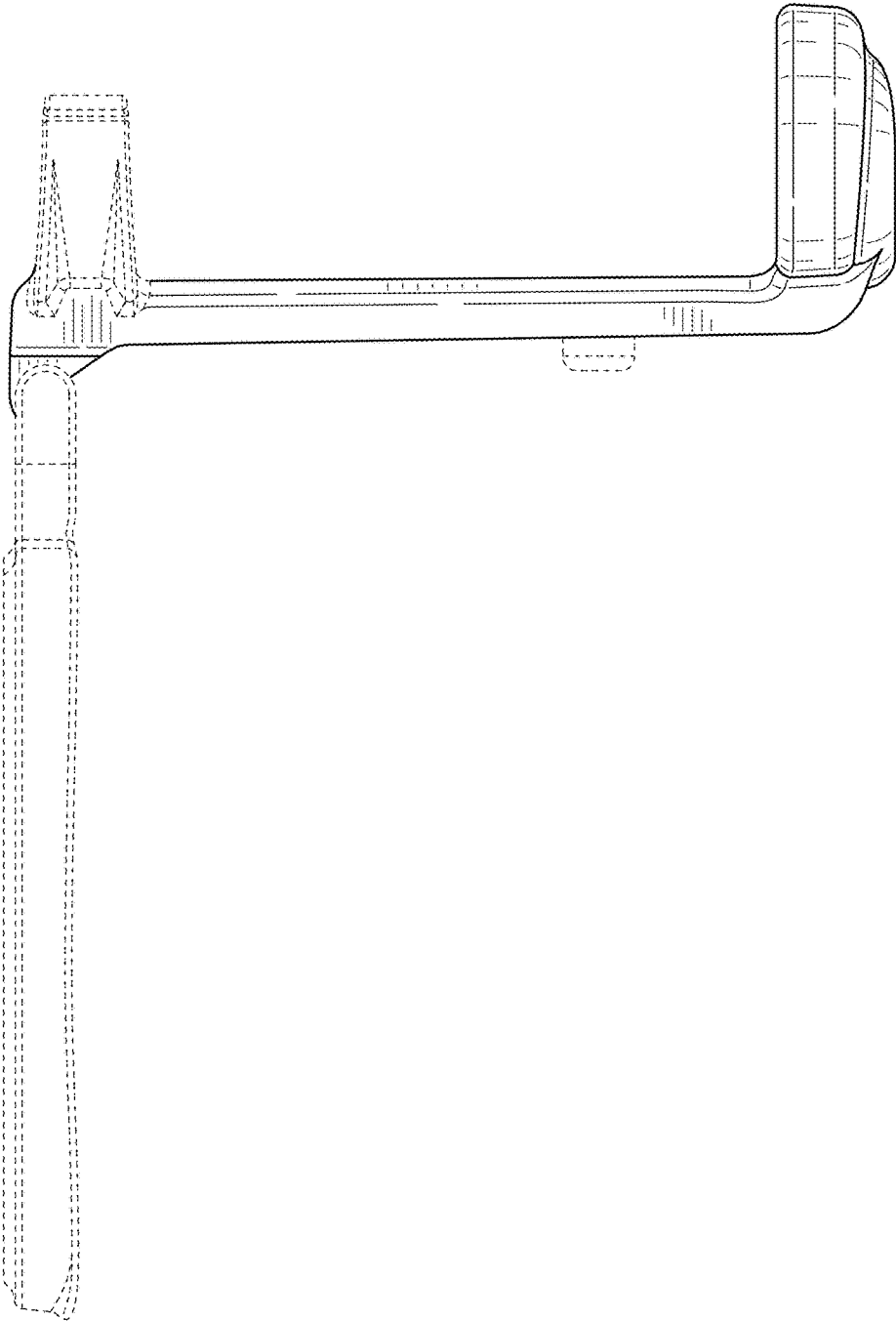


FIG. 2

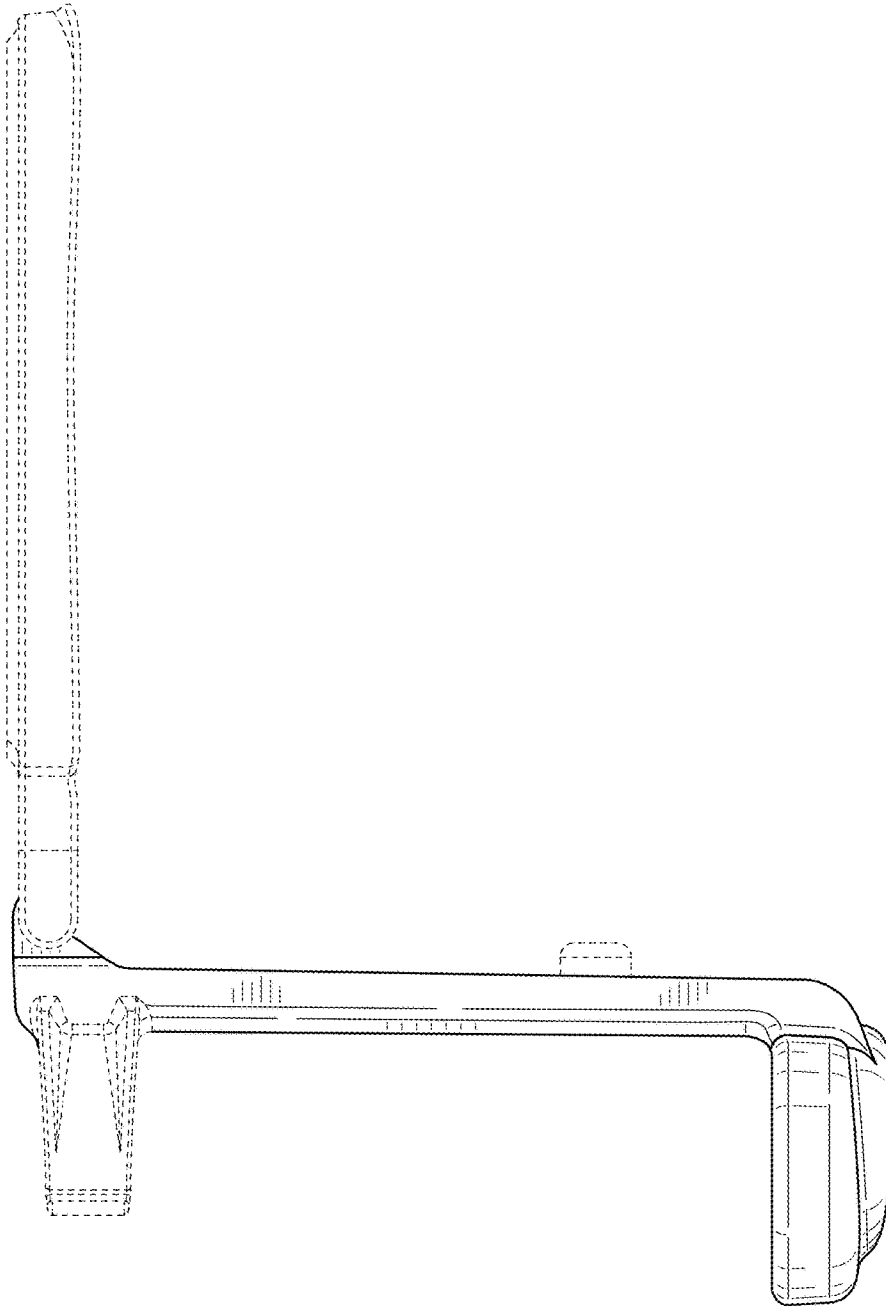


FIG. 3

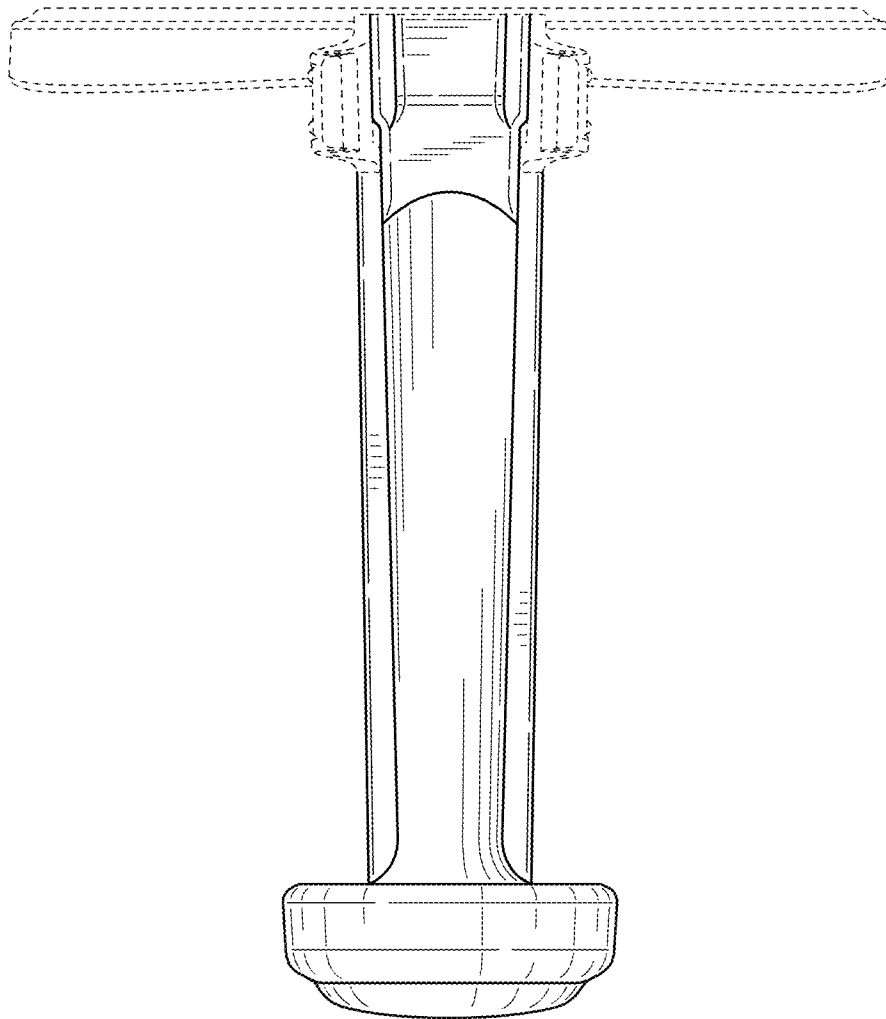


FIG. 4

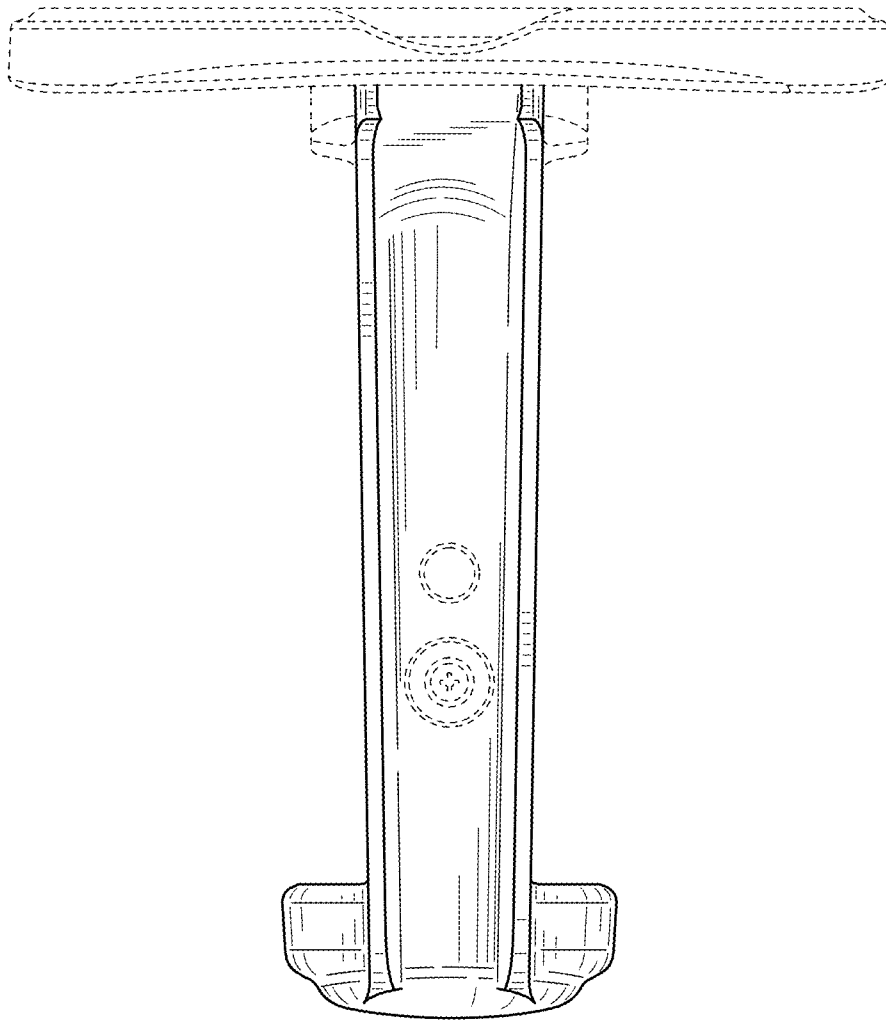


FIG. 5

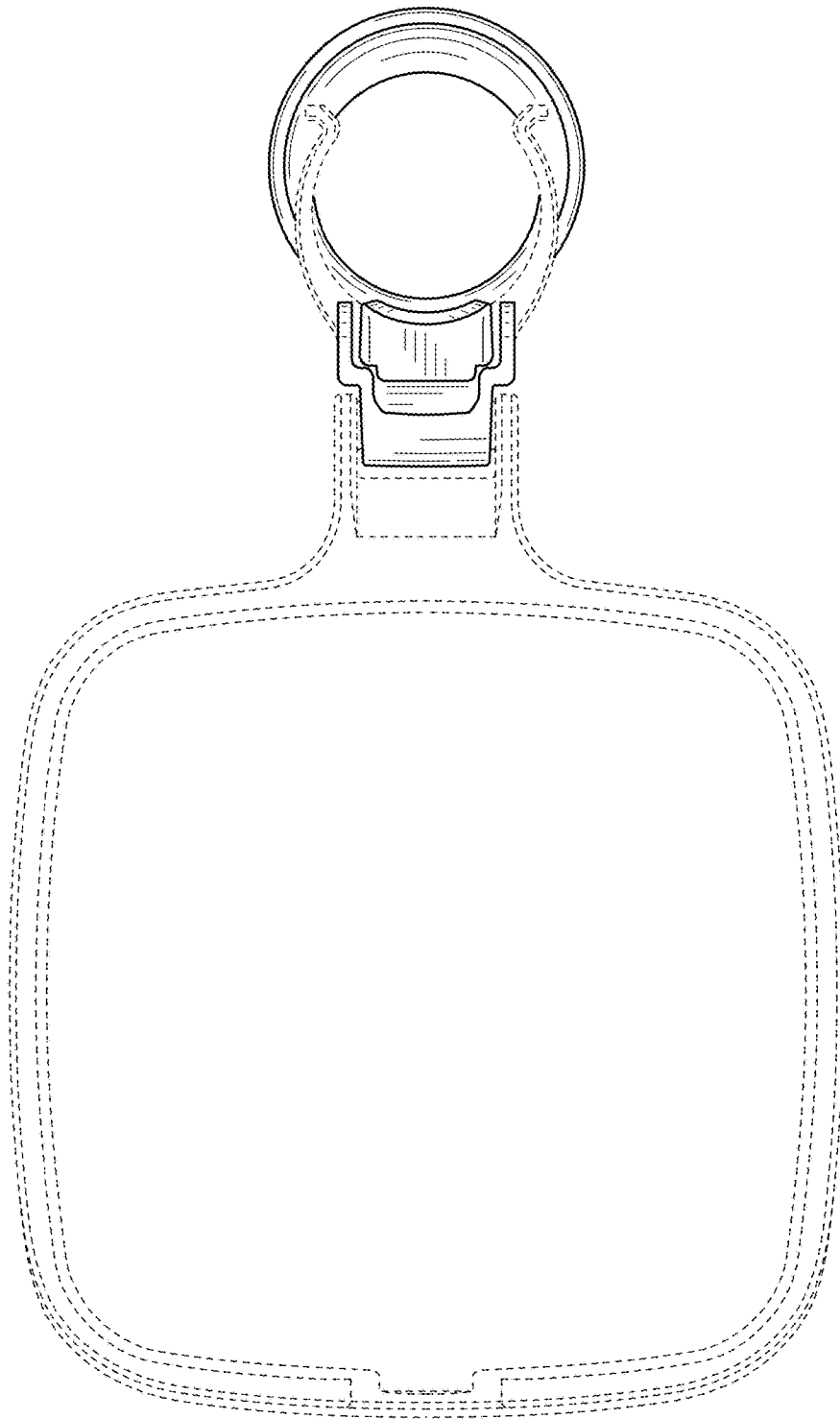


FIG. 6

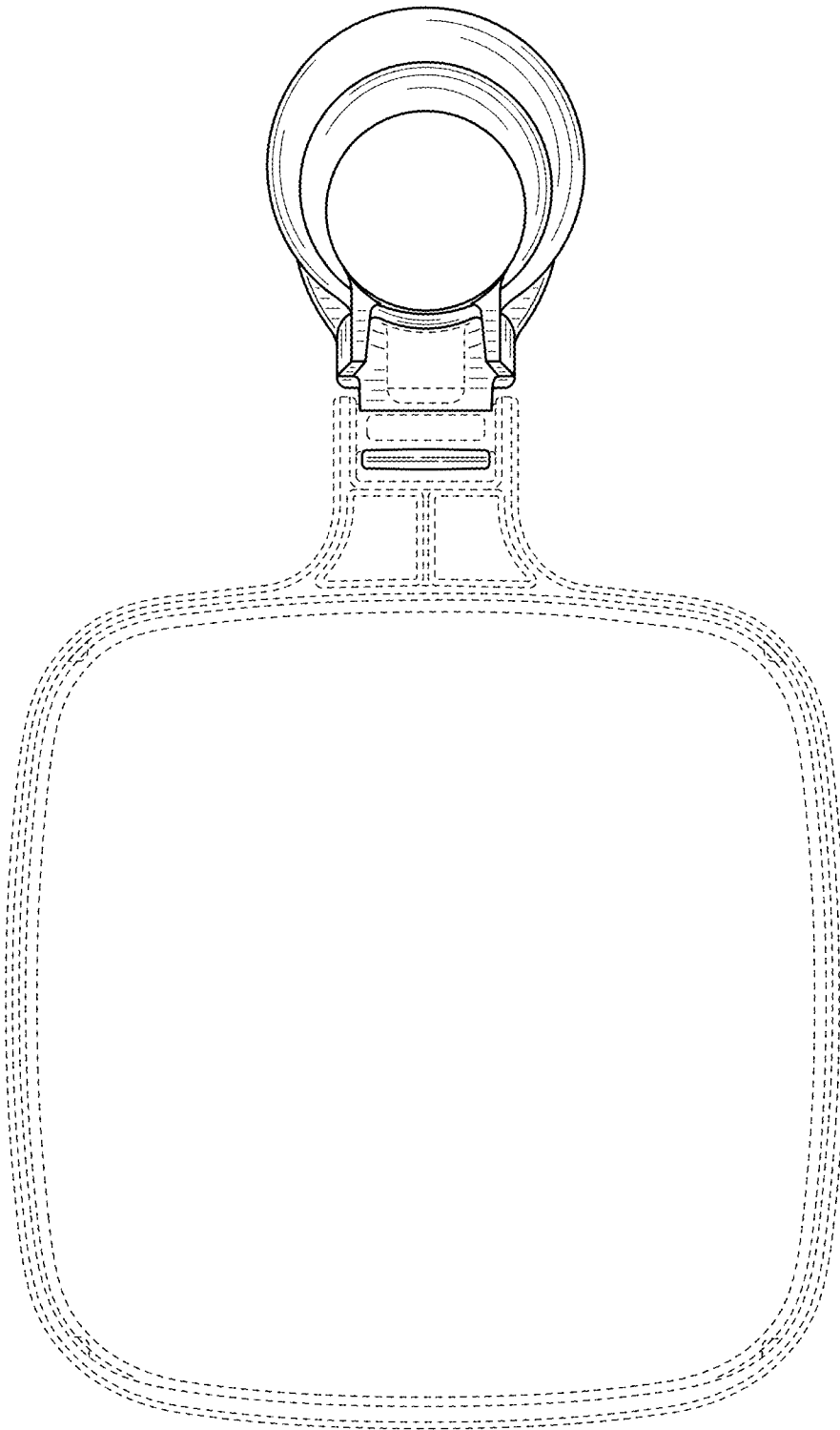


FIG. 7