



US00D629657S

(12) **United States Design Patent**
Carreno

(10) **Patent No.:** **US D629,657 S**

(45) **Date of Patent:** **** *Dec. 28, 2010**

(54) **FOOD JAR**

(75) Inventor: **Alfredo Carreno**, Greece, NY (US)

(73) Assignee: **Thermos L.L.C.**, Rolling Meadows, IL (US)

(*) Notice: This patent is subject to a terminal disclaimer.

(**) Term: **14 Years**

(21) Appl. No.: **29/350,864**

(22) Filed: **Nov. 24, 2009**

(51) **LOC (9) Cl.** **07-07**

(52) **U.S. Cl.** **D7/629**

(58) **Field of Classification Search** D7/665-668, D7/680; 99/495, 506-511; 100/99, 104, 100/110, 112, 116, 125, 126, 233, 234, 243, 100/213; 241/95, 169.1, 169.2, 273.3
See application file for complete search history.

(56) **References Cited**

U.S. PATENT DOCUMENTS

D499,941 S * 12/2004 Levien et al. D7/666

7,000,535 B2 * 2/2006 Harrison-Griffin et al. .. 100/126
D521,818 S * 5/2006 So D7/665
7,229,747 B2 * 11/2007 So 100/234
2006/0086265 A1 * 4/2006 Gonzalez 100/234

* cited by examiner

Primary Examiner—Terry A Wallace

(74) *Attorney, Agent, or Firm*—Wood, Phillips, Katz, Clark & Mortimer

(57) **CLAIM**

The ornamental design for a food jar, as shown and described.

DESCRIPTION

FIG. 1 is a perspective view from above of the food jar embodying the ornamental design;

FIG. 2 is a perspective view from below of the food jar;

FIG. 3 is a front elevation view of the food jar, with the right, left and back elevation views being identical;

FIG. 4 is a top view of the food jar; and,

FIG. 5 is a bottom view of the food jar.

1 Claim, 2 Drawing Sheets

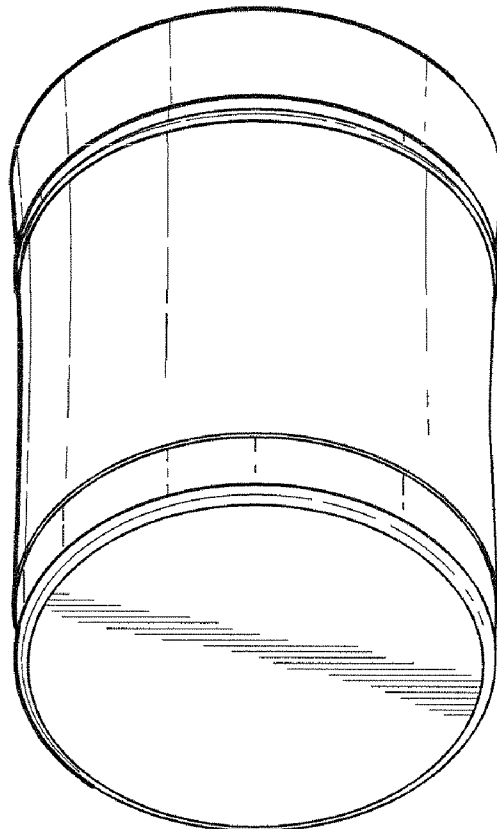
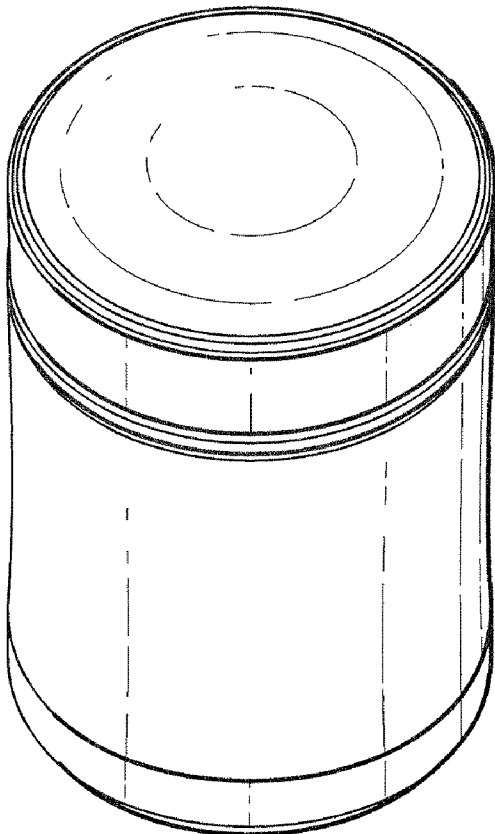


Fig. 1

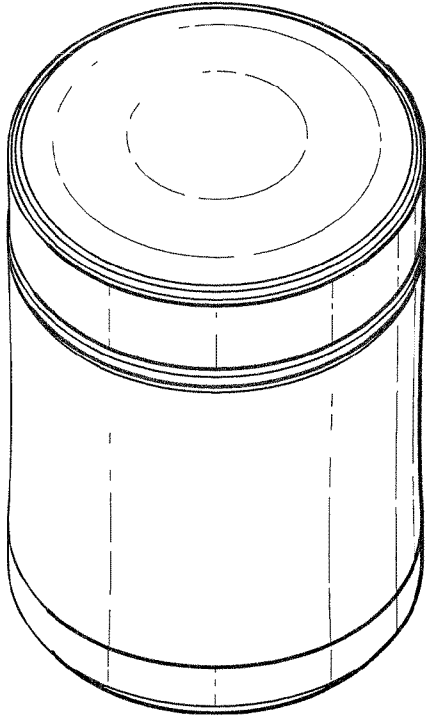


Fig. 2

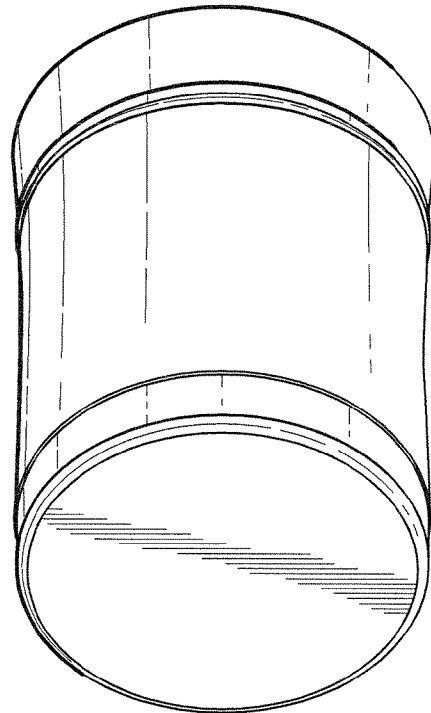


Fig. 3

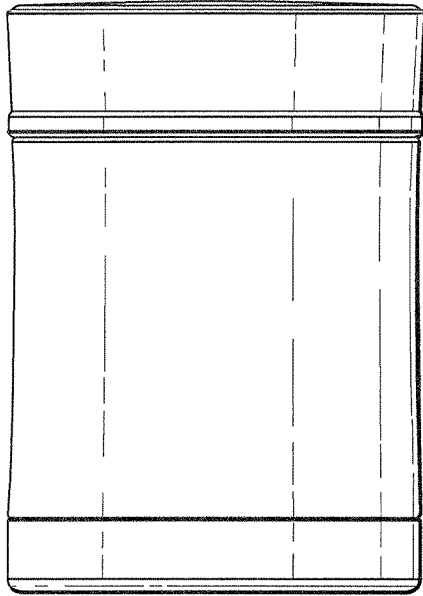


Fig. 4

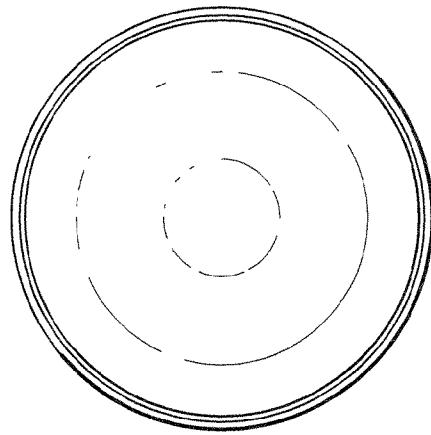


Fig. 5

