

(19) World Intellectual Property Organization
International Bureau



(43) International Publication Date
2 February 2012 (02.02.2012)

(10) International Publication Number
WO 2012/016244 A2

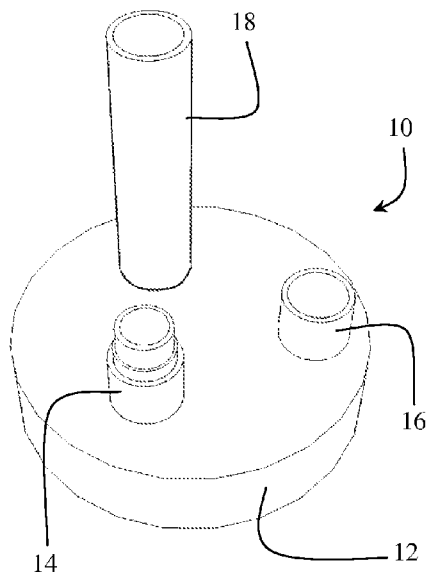
- (51) **International Patent Classification:**
F16L 55/163 (2006.01) *F16L 55/162* (2006.01)
F16L 55/164 (2006.01)
- (21) **International Application Number:**
PCT/US2011/046159
- (22) **International Filing Date:**
1 August 2011 (01.08.2011)
- (25) **Filing Language:** English
- (26) **Publication Language:** English
- (30) **Priority Data:**
61/369,439 30 July 2010 (30.07.2010) US
- (71) **Applicant (for all designated States except US):** PERMA-LINER INDUSTRIES, INC [US/US]; 13000 Automobile Blvd, Suite 300, Clearwater, Florida 33762 (US).
- (72) **Inventors; and**
- (75) **Inventors/Applicants (for US only):** D'HULSTER, Gerald [US/US]; 13000 Automobile Blvd, Suite 300, Clearwater, Florida 33762 (US). GOULD, James [US/US]; 13000 Automobile Blvd, Suite 300, Clearwater, Florida 33762 (US).
- (74) **Agent:** TONER, Thomas; Innovus Law Group, 3802 Spectrum Blvd, Suite 145, Tampa, Florida 33612 (US).
- (81) **Designated States (unless otherwise indicated, for every kind of national protection available):** AE, AG, AL, AM, AO, AT, AU, AZ, BA, BB, BG, BH, BR, BW, BY, BZ, CA, CH, CL, CN, CO, CR, CU, CZ, DE, DK, DM, DO, DZ, EC, EE, EG, ES, FI, GB, GD, GE, GH, GM, GT, HN, HR, HU, ID, IL, IN, IS, JP, KE, KG, KM, KN, KP, KR, KZ, LA, LC, LK, LR, LS, LT, LU, LY, MA, MD, ME, MG, MK, MN, MW, MX, MY, MZ, NA, NG, NI, NO, NZ, OM, PE, PG, PH, PL, PT, RO, RS, RU, SC, SD, SE, SG, SK, SL, SM, ST, SV, SY, TH, TJ, TM, TN, TR, TT, TZ, UA, UG, US, UZ, VC, VN, ZA, ZM, ZW.
- (84) **Designated States (unless otherwise indicated, for every kind of regional protection available):** ARIPO (BW, GH, GM, KE, LR, LS, MW, MZ, NA, SD, SL, SZ, TZ, UG, ZM, ZW), Eurasian (AM, AZ, BY, KG, KZ, MD, RU, TJ, TM), European (AL, AT, BE, BG, CH, CY, CZ, DE, DK, EE, ES, FI, FR, GB, GR, HR, HU, IE, IS, IT, LT, LU, LV, MC, MK, MT, NL, NO, PL, PT, RO, RS, SE, SI, SK, SM, TR), OAPI (BF, BJ, CF, CG, CI, CM, GA, GN, GQ, GW, ML, MR, NE, SN, TD, TG).

Declarations under Rule 4.17:

[Continued on next page]

(54) **Title:** APPARATUS AND METHOD FOR HEAT CURING OF PIPE LINERS

Fig. 1



(57) **Abstract:** An apparatus and method that accelerates curing of resin in a liner for a buried pipe includes an air inversion unit connected to an air compressor. The apparatus includes a curing cap having an inflation port, a curing port and a drainage port. A flexible tube is slidably received by the curing port while maintaining a substantially fluid-tight seal. The flexible tube has a first end in fluid communication with the outlet of the manifold and the second end has a substantially spherical guide thereon. The second end of the flexible tube also includes a plurality of perforations to allow fluids to pass there through.

— *of inventorship (Rule 4.17(iv))*

Published:

— *without international search report and to be republished upon receipt of that report (Rule 48.2(g))*

APPARATUS AND METHOD FOR HEAT CURING OF PIPE LINERS

CROSS REFERENCE TO RELATED APPLICATIONS

This application is a Non-Provisional Application of co-pending U.S. Provisional Application
5 No. 61/369,439, filed July 30, 2010, which is incorporated herein by reference in its entirety.

BACKGROUND OF THE INVENTION

This invention relates, generally, to pipe liners that are used to repair buried pipes without excavation. More particularly, it relates to an apparatus and method that reduces the amount of time required to complete such repairs.

10 Methods of rehabilitating damaged pipes by inverting an tubular liner impregnated with curable resin are known. The known methods of installing a liner to repair a buried pipe, while it remains underground, involve inserting a liner into the pipe and forcing the liner into engagement with the inner walls of the pipe by inflating a bladder. The liner is impregnated with curable resins prior to insertion and the bladder must remain inflated until the resin cures. The
15 time required for resin to cure, however, ranges from three to eight hours, depending upon ambient temperatures. Thus there is a need for an apparatus and method that provides a shorter curing time regardless of ambient temperatures.

SUMMARY OF THE INVENTION

The long-standing but heretofore unfulfilled need for an apparatus and method that shortens
20 resin curing times is now met by a new, useful, and non-obvious invention.

The apparatus includes a curing cap having an inflation port, a curing port and a drainage port. A remote source of pressurized fluid (preferably air) is placed in fluid communication with the inflation port. The apparatus also includes a manifold having an outlet, a first inlet in valved fluid communication with a heated fluid source, a second inlet in valved fluid communication
25 with a pressurized fluid source and a third inlet in valved fluid communication with the drainage port.

A flexible curing tube is slidably received by the curing port while maintaining a substantially fluid-tight seal. The flexible tube has a first end in fluid communication with (via the manifold) a source of heated fluid (such as water or steam) and the second end has a substantially spherical guide thereon. The second end of the flexible tube also includes a plurality of perforations to
5 allow fluids to pass there through. During curing operations, the heated fluid flows through the flexible tube and exits, through said perforations, into the interior of an inverted liner tube.

BRIEF DESCRIPTION OF THE DRAWINGS

For a fuller understanding of the nature and objects of the invention, reference should be made to the following detailed disclosure, taken in connection with the accompanying drawings, in
10 which:

Fig. 1 is a perspective view of an illustrative curing cap;

Fig. 2 is a side plan view of an illustrative curing cap;

Fig. 3A is a side plan view of an inversion head, with an un-inverted tubular liner positioned thereon;

15 Fig. 3B is a side plan view of an illustrative curing cap installed in an inversion head, which is in turn installed in the open end of a liner tube;

Fig. 4A is a side plan view of an illustrative curing cap installed in an inversion head with the flexible tube extending there through;

20 Fig. 4B is a side plan view of an illustrative curing cap installed in an inversion head with the flexible tube extending there through and into the lumen of the tubular liner;

Fig. 5 is a diagrammatic view of an illustrative manifold.

DETAILED DESCRIPTION OF THE PREFERRED EMBODIMENT

While the present invention is shown for use with sewer pipeline repair, the present invention can be utilized for repairing other types of pipes, ducts, tunnels and shafts, such as gas, water,
25 oil, steam and compressed air conduits. Figs. 1 and 2 depict an illustrative embodiment of the

novel curing cap which is denoted as a whole by the reference numeral 10. Curing cap 10 includes substantially circular body 12 having an outer side 12a and inner side 12b. Outer side 12a further includes inflation port 14, curing port 16 and discharge port 18. All ports are preferably arranged to provide unidirectional fluid communication between outer side 12a and
5 inner side 12b of circular body 12. Inner side 12b of circular body 12 is received by intake 22 of inversion head 20 (Fig. 3A). Discharge end 24 releasably engages the interior of open end 26a of liner tube 26.

Two types of liner tubes are commonly used. The first type of liner comprises a felt or fiberglass lining, having a closed end and an open end impregnated with a curable resin. The second type
10 includes a lining composition of two (2) main layers; a first layer comprising an inflatable bladder having a closed end and an open end, and a second layer of felt or fiberglass lining that is impregnated with a curable resin.

Liner tube 26 preferably comprises a felt layer (26b) and a plastic layer (26c) as is known in the art. The felt layer is adapted to absorb a liquid resin, and the plastic layer is adapted to provide
15 an impervious smooth continuous surface. Prior to inverting the liner tube, the plastic layer is located on the outside of the liner tube and the felt layer is located on the inside. During the inversion process (described below), the liner tube 26 is inverted so that the felt layer is on the outside of the liner tube and the smooth plastic layer is on the inside of the liner tube. Use of an impermeable coating on the liner tube allows the liner tube to be inflated and inverted without
20 the use of a separate bladder. In embodiments using an inflatable bladder, the bladder overlies the felt lining and is contact with plastic layer 26c.

Prior to inversion, intake 22 of inversion head 20 is connected (via a tubular conduit) to a liner dispensing unit (which normally include a source of pressurized air). The dispensing unit holds the length of resin soaked liner prior to delivery. During inversion, the air under pressure flows
25 through the system from the dispensing unit toward inversion head 20.

As shown in FIG. 3A, open end 26a of liner tube 26 is fitted over discharge end 24 of inversion head 20 and is secured in place to create an airtight connection there around ensuring the air under pressure causes the closed leading end of liner tube 26 (not shown) to follow a path of travel through curing cap 20 into the interior or lumen of the pipe, thereby inverting said liner as

said closed end is propelled to the distal end of the pipe by said heated fluid under pressure (see FIG. 3B).

Accordingly, liner tube 26 is fully inverted along its entire extent when the closed end of liner tube 26 reaches the distal end of the pipe. The rubber layer or uncoated lining layer now forms the interior surface of liner tube 26 and the resin-impregnated outer layer now forms the exterior layer and is pressed against the inner sidewalls of the pipe by the pressure of said gaseous or liquid fluid.

Air from the inversion compressor further causes liner 26 (or bladder/liner combination) to expand radially so that the resin coated surface of liner 26 comes into contact with the interior of the pipe to be repaired. Air pressure is continued, either directly against the interior of the liner (or inflatable bladder) to force the resin-coated surface of liner 26 into contact with the interior of the pipe.

Once liner tube 26 is fully inverted, inversion head 20 is uncoupled from the dispensing unit and compressed air source. Turning now to Fig. 4A, curing cap 10 is then coupled with intake 22 of curing cap 20 (FIG. 3B). Inflation port 14 is connected to an air compressor, not shown, via airline 14a. Air from the compressor maintains the pressure within liner 26 to keep the resin-coated surface (26b) of liner 26 in contact with the interior of the pipe.

Curing port 16 is connected, via flexible curing tube 16a, to manifold 30 (see Fig. 5), which is in turn in fluid communication with a heated fluid source and an air compressor, not depicted. In an alternative embodiment, however, it is possible to use a single air compressor connected to the manifold to provide connections to both inflation port 14 and curing port 16. Curing port 16 is preferably of a slip-ring configuration, but can be adapted for any configuration that allows curing curing tube 16a to slide through curing port 16 while maintaining a substantially fluid-tight seal.

Drainage port 18 is also connected to manifold 30 and provides fluid communication, via drainage line 18a, from the interior of the pipe outward to manifold 30.

Manifold 30, Fig. 5, includes heat inlet 32, air inlet 34 and outlet 36. Heat inlet 32 is in fluid communication with a heating source which provides heated fluid (i.e. hot water or steam) to the

system. The flow of heated fluid into the system is controlled by heat valve 32a, and the temperature and/or pressure of the heated fluid is monitored by gauge 32b. Air inlet 34 is in fluid communication with a drainage air compressor which provides air, under pressure, to the system. The flow of air under pressure into the system is controlled by air valve 34a, and the
5 temperature and/or pressure of the air is monitored by gauge 34b. As previously stated, the drainage air compressor can be replaced by the inversion air compressor using linkages as know in the art. Both heat fluid inlet 32 and air inlet 34 are in open fluid communication with outlet valve 36. For example, when heat valve 32a is open then heated fluid is permitted to pass through manifold 30 thereby exiting outlet 36 and entering the system via curing tube 16a.

10 Manifold 30 also includes drainage inlet 38, connected to drainage line 18, which further comprises drainage valve 38a and temperature/pressure gauge 38b. Fluids leaving the system via drainage line 18a can be monitored via gauge 38b and disposed of when safe through drainage outlet 38c.

Another aspect of the inventive method occurs after liner tube 26 has been inverted and is being
15 held against the sides of the pipe under pressure. This aspect includes the steps of inserting curing curing tube 16a into the lumen of liner tube 26, opening heat valve 32 so that heated fluid flows through manifold 30, via outlet 36, into curing curing tube 16a and into the lumen of liner tube 26.

Curing tube 16a is an elongate flexible tube including substantially spherical guide 17 at its
20 distal end. Curing tube 16a also includes a series of perforations (19) proximal to spherical guide 17. Once liner tube 26 is fully extended, curing tube 16a is fed through curing port 16 thereby advancing guide 17 through the lumen of liner tube 26. The substantially spherical shape of guide 17 allows the distal end of the tube to easily navigate corners and bends. Once properly positioned, the heated fluid passes through curing tube 16a and out perforations 19 into the
25 lumen of liner tube 26 near its distal end. This ensures liner tube 26 is heated from the distal (closed) end toward the proximal (open) end.

As the heated fluid fills the lumen of the liner tube from the distal end, the air under pressure used to invert the liner tube is permitted to escape through drainage port 18 and back to manifold 30 via drainage line 18a. Gauge 38a is monitored as the fluids (air under pressure, steam or hot

water) pass there through. When the gauge shows the temperature of the drainage fluids are substantially equal to the temperature of the heated fluid entering the system, this indicates that the heated fluid has reached the proximal end of liner tube 26. It can now be assumed liner tube 16 is now substantially filled said heated fluid. Heat valve 32a and drainage valve 38a can then
5 be closed, fully or partially, so that liner tube 26 is not over-pressurized. The resin cures within a significantly abbreviated time because the heat of the heated fluid is conducted by the inflatable bladder (or plastic liner layer (26c) into the resin-impregnated layer (26b) where it acts as a catalyst.

When the resin has sufficiently cured, drainage valve 36a is opened to allow the lumen of the
10 liner tube to be emptied. To facilitate drainage, air valve 34a is opened forcing air under pressure through perforations 19 in the distal end of curing tube 16a. This air under pressure forces any remaining heated fluid through drainage port 18, through line 18a and into drainage inlet 38a. Inversion head 20 and curing cap 10 can be removed once all heated fluids are removed from the lumen of liner tube 26.

15 All documents cited herein are incorporated herein by reference. The invention is illustrated by the preceding embodiments. These embodiments are provided to aid in the understanding of the invention and are not to be construed as a limitation with regard to the arrangement of the parts shown in the figures or the order of steps provided.

It will thus be seen that the objects set forth above, and those made apparent from the foregoing
20 disclosure, are efficiently attained and since certain changes may be made in the above construction without departing from the scope of the invention, it is intended that all matters contained in the foregoing disclosure or shown in the accompanying drawings shall be interpreted as illustrative and not in a limiting sense.

It is also to be understood that the following claims are intended to cover all of the generic and
25 specific features of the invention herein described, and all statements of the scope of the invention that, as a matter of language, might be said to fall therebetween.

What is claimed is:

1. A method of repairing a damaged section of a pipe, comprising:
 - providing a tubular liner having an open first end and a substantially closed second end;
 - 5 impregnating the tubular liner with a curable resin;
 - inverting the tubular liner into the lumen of the pipe to be repaired;
 - establishing fluid communication between the open end of the tubular liner and a curing cap, the curing cap comprising a curing port with a flexible tube having a first end and second end, extending there through;
 - 10 passing a heated fluid through the flexible tube and into the interior of the tubular liner; and
 - allowing the heat from the heated fluid to contact the curable resin.
2. The method of claim 1 wherein the flexible tube is perforated at its distal end.
3. The method of claim 1 wherein the second end of the flexible tube is equipped with a
- 15 substantially spherical guide.
4. The method of claim 1, further comprising sliding the flexible tube through the curing port and interior of the tubular liner until the second end of the flexible tube is adjacent the second end of the tubular liner prior to passing the heated fluid there through.
5. The method of claim 1 further comprising the steps of:
 - 20 providing an inflatable bladder surrounding the tubular liner prior to the inversion step; and
 - inverting the tubular liner and inflatable bladder into the lumen of the pipe to be repaired such that the tubular liner is in contact with the lumen of the pipe;
 - whereby the heat from the heated fluid passes through the inflatable bladder and
 - 25 contacts the curable resin impregnated in the tubular liner.
6. The method of claim 1, wherein the curing cap further comprises an inflation port and a drainage port.
7. The method of claim 1, wherein:
 - 30 the curing cap comprises a substantially circular body having a first side and a second side;

the inflation port provides substantially unidirectional fluid communication from the first side to the second of the curing cap; and
the drainage port provides substantially unidirectional fluid communication from the second side to the first of the curing cap.

- 5 8. The method of claim 7, further comprising inflating the tubular liner by passing a pressurized fluid through the inflation port into the interior thereof and pressing said liner into contact with the interior of the pipe prior to passing the heated fluid through the flexible tube.
9. A method of repairing a damaged section of a pipe, comprising:
- 10 providing a tubular liner having an open first end and a substantially closed second end;
impregnating the tubular liner with a curable resin;
connecting the first end of the tubular liner to an inversion head connected to an inversion unit;
- 15 inverting the tubular liner through the inversion head and into the lumen of the pipe to be repaired;
connecting a curing cap to the inversion head, the curing cap comprising a curing port with a flexible tube, having a first end and second end, extending there through;
- 20 passing a heated fluid through the flexible tube and into the interior of the tubular liner; and
allowing the heat from the heated fluid to contact the curable resin.
10. The method of claim 9 wherein the flexible tube is perforated at its distal end.
11. The method of claim 9 wherein the second end of the flexible tube is substantially
- 25 spherical.
12. The method of claim 9, further comprising sliding the flexible tube through the interior of the tubular liner until the second end of the flexible tube is adjacent the second end of the tubular liner prior to passing the heated fluid there through.
13. The method of claim 9 further comprising the steps of:
- 30 providing an inflatable bladder surrounding the tubular liner prior to the inversion step; and

inverting the tubular liner and inflatable bladder into the lumen of the pipe to be repaired such that the tubular liner is in contact with the lumen of the pipe; whereby the heat from the heated fluid passes through the inflatable bladder and contacts the curable resin impregnated in the tubular liner.

- 5 14. An apparatus for repairing a damaged section of a pipe, comprising:
a substantially circular body having a first side and a second side;
an inflation port;
a curing port;
a substantially flexible tube, having a first end and a second end, slidably
10 extending through the curing port; and
a drainage port.
15. The apparatus of claim 14, wherein the inflation port provides substantially unidirectional fluid communication from the first side to the second of the substantially circular body.
16. The apparatus of claim 14, wherein the drainage port provides substantially unidirectional
15 fluid communication from the second side to the first of the substantially circular body.
17. The apparatus of claim 14, wherein the second end of the flexible tube is adapted with a substantially spherically guide.
18. The apparatus of claim 14, wherein the flexible is perforated approximate the second thereof.
- 20 19. The apparatus of claim 14, wherein the curing port forms a substantially fluid-tight seal against the flexible tube.

Fig. 1

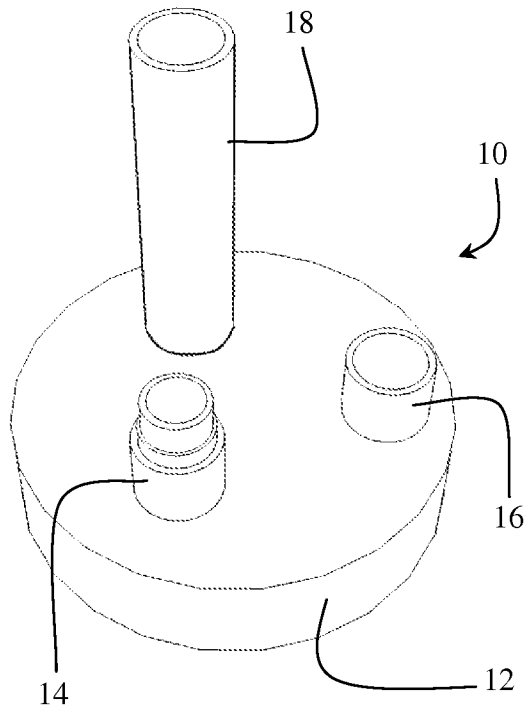
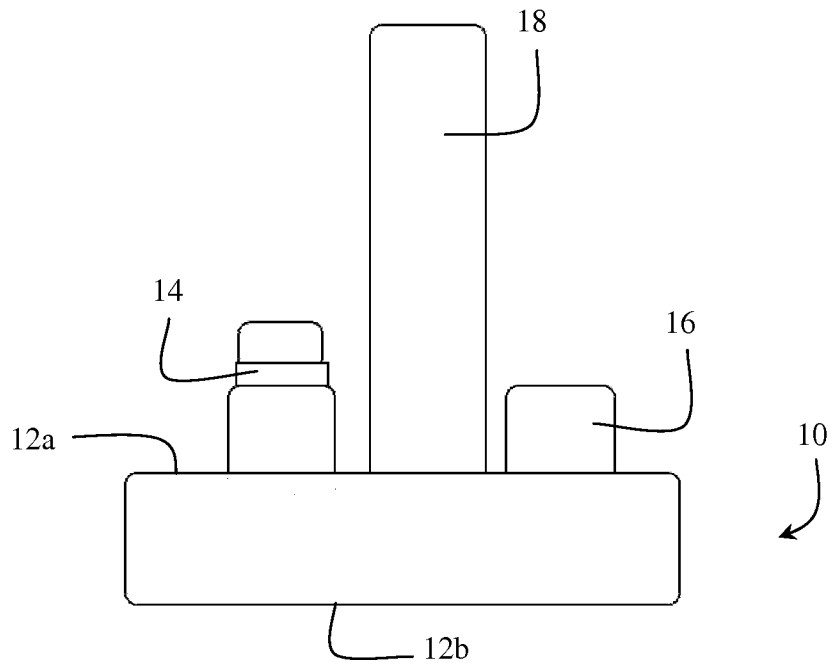


Fig. 2



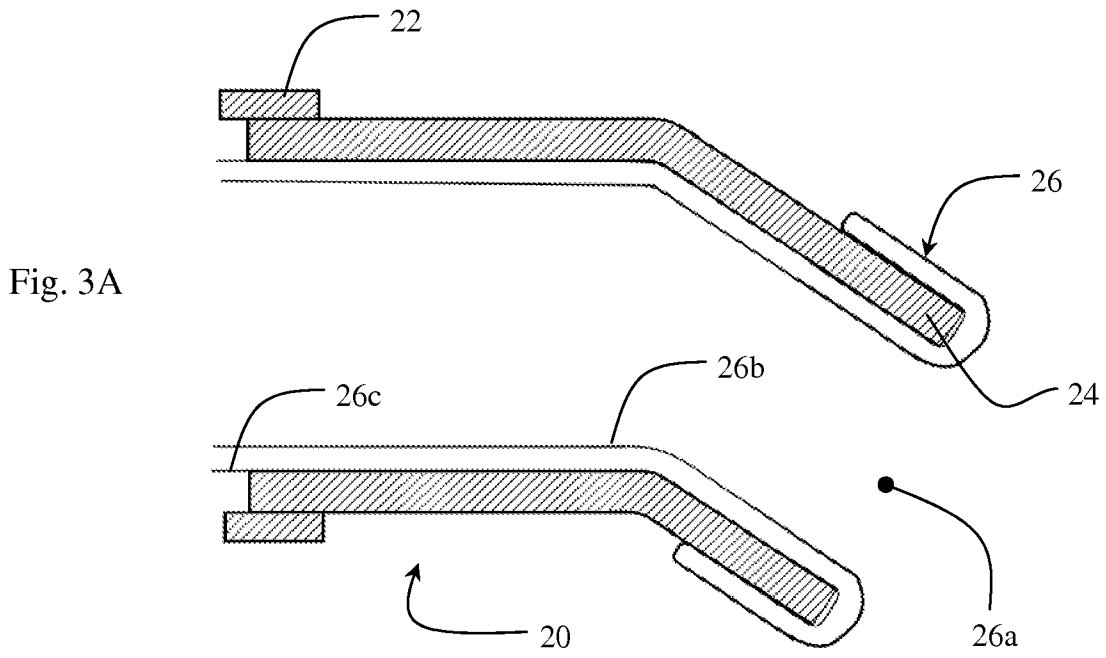


Fig. 3A

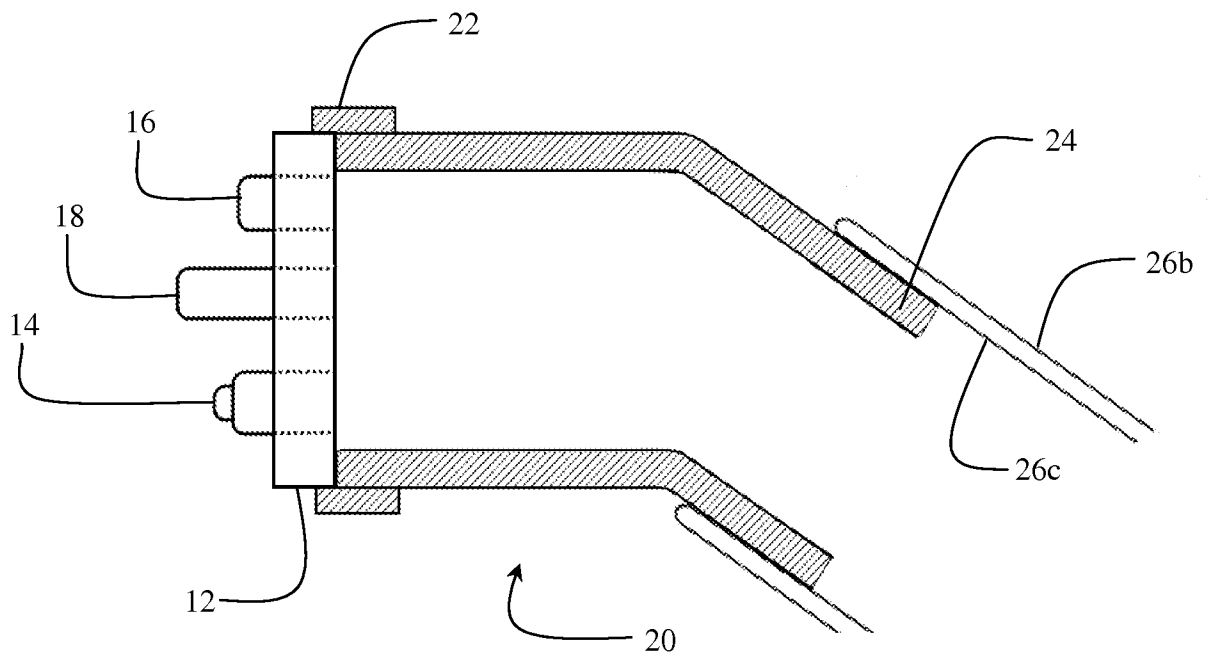


Fig. 3B

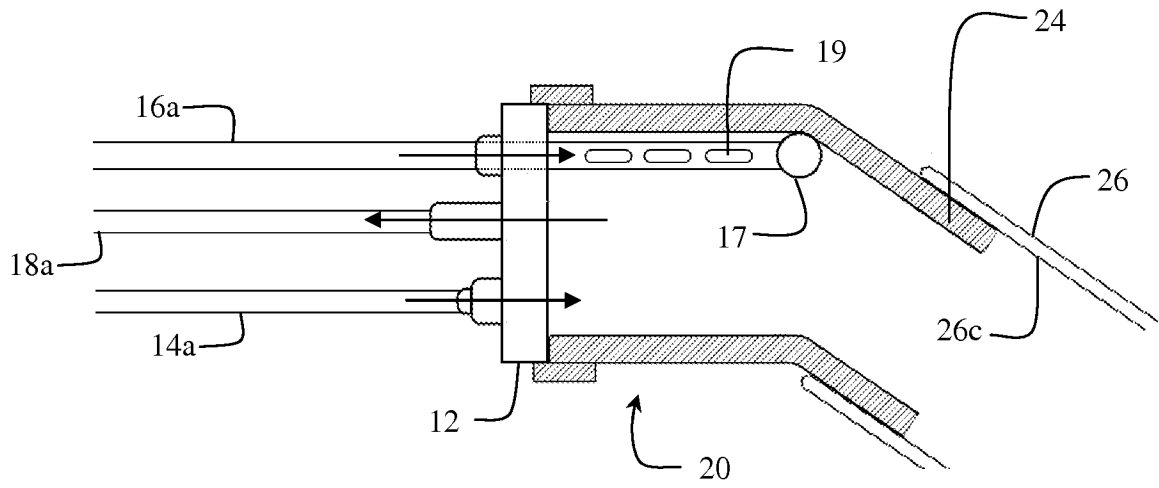


Fig. 4A

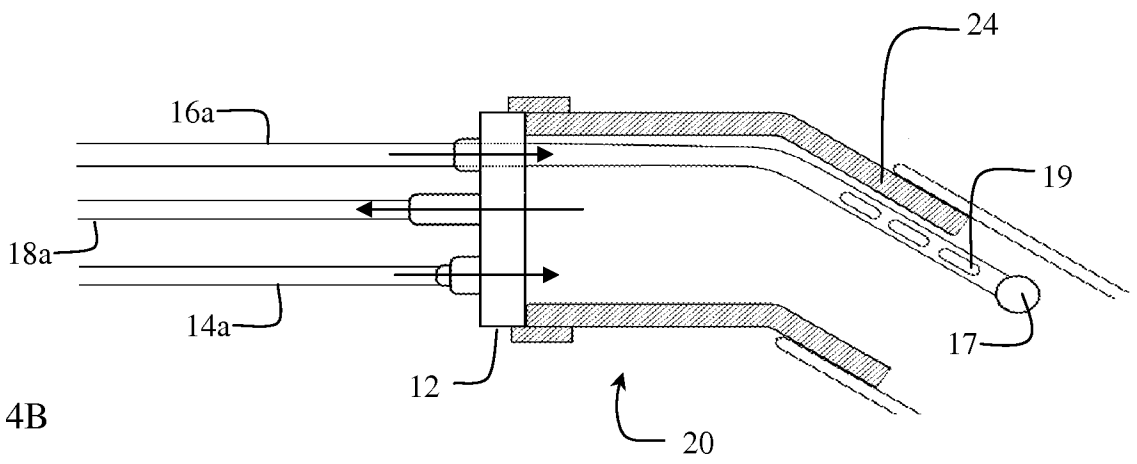


Fig. 4B

Fig. 5

