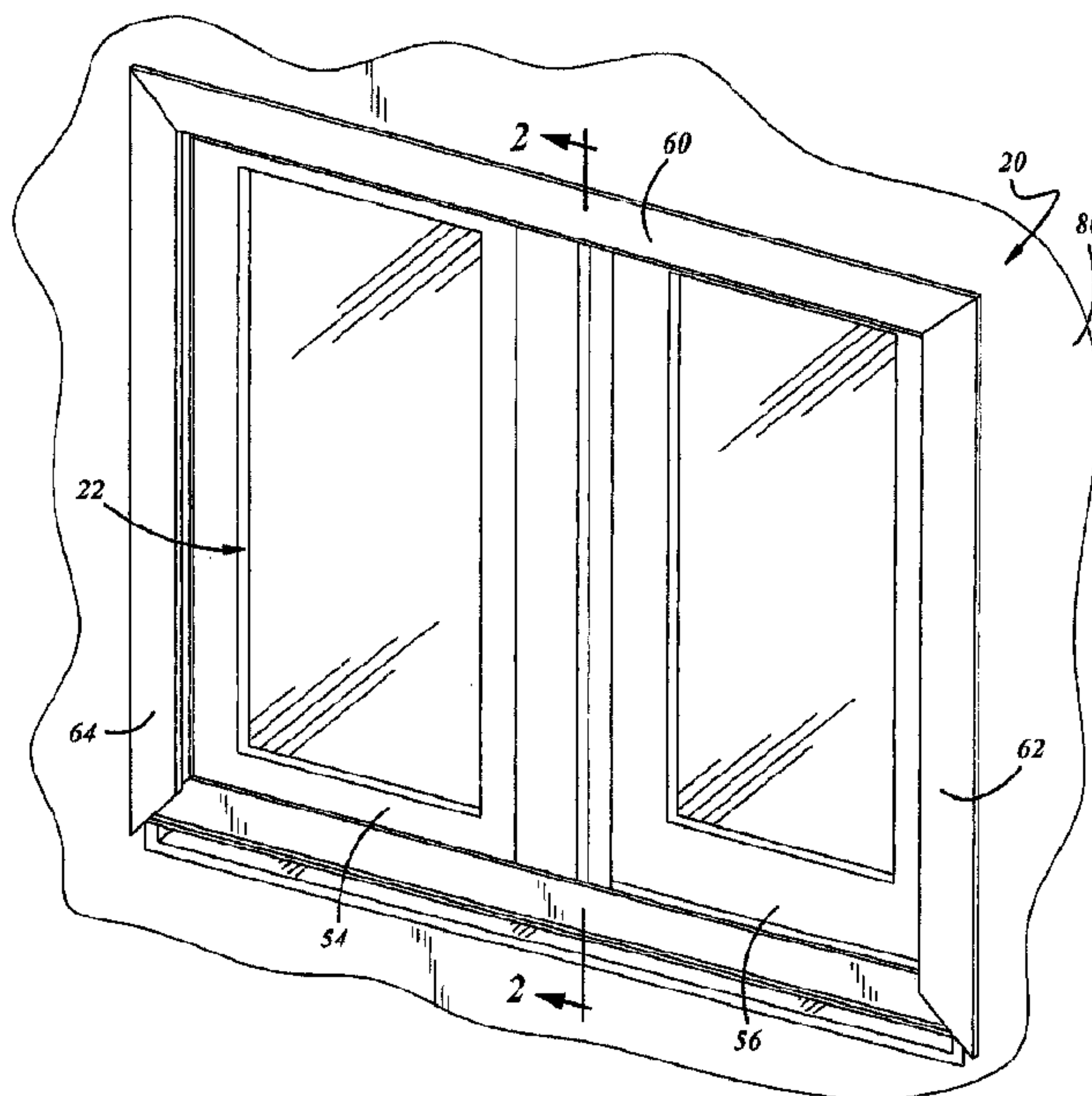




(22) Date de dépôt/Filing Date: 2010/04/22  
 (41) Mise à la disp. pub./Open to Public Insp.: 2010/10/23  
 (45) Date de délivrance/Issue Date: 2018/02/06  
 (62) Demande originale/Original Application: 2 701 321  
 (30) Priorités/Priorities: 2009/04/23 (US61/171,925);  
 2010/04/12 (US12/758,386)

(51) Cl.Int./Int.Cl. *E06B 1/36* (2006.01),  
*E06B 1/56* (2006.01)  
 (72) Inventeurs/Inventors:  
 FURGERSON, DAVID, US;  
 GIGGS, JULIAN, US;  
 POTTHAST, JAMES, US;  
 KRUMPE, GERAINT, US;  
 BAKER, WAYNE PHILIP, GB  
 (73) Propriétaire/Owner:  
 MILGARD MANUFACTURING INCORPORATED, US  
 (74) Agent: PIASETZKI NENNIGER KVAS LLP

(54) Titre : PORTE OU FENETRE A CADRE FIXE  
 (54) Title: FIXED FRAME WINDOW OR DOOR SYSTEM



(57) Abrégé/Abstract:

A window or door system includes a frame adapted to be received within a window or door opening. A window or door unit is disposed on the frame, and a retainer is received by interference fit on either the frame or the window or door unit. The retainer has a portion that extends to engage the other of the frame and window or door unit, and to hold the window or door unit on the frame. The frame can be rectangular, for example, and the retainer may be linear extending along at least one edge of the frame. The frame can include an outwardly opening slot, and the retainer may be received by snap fit in the slot.

**Abstract of the Disclosure**

A window or door system includes a frame adapted to be received within a window or door opening. A window or door unit is disposed on the frame, and a retainer is received by interference fit on either the frame or the window or door unit. The retainer has a portion that extends to engage the other of the frame and window or door unit, and to hold the window or door unit on the frame. The frame can be rectangular, for example, and the retainer may be linear extending along at least one edge of the frame. The frame can include an outwardly opening slot, and the retainer may be received by snap fit in the slot.

**FIXED FRAME WINDOW OR DOOR SYSTEM**

The present disclosure relates to a system adapted to facilitate installation of a window or door into a structure under construction.

**Background and Summary of the Disclosure**

5 Installation of window or door systems into buildings under construction, for example, typically involves installation of the windows or doors as complete assemblies at an early stage of construction. The window or door itself is then highly susceptible to damage during subsequent construction-related activities. A general object of the present disclosure is to provide a window or door system that includes a frame adapted for installation at an early stage of construction  
10 so that interior and exterior wall features can be installed around the frame, and in which the frame is adapted subsequently to receive and hold a window or door unit at a later stage of construction during which the window or door is less susceptible to damage.

The present disclosure embodies a number of aspects that can be implemented separately from or in combination with each other.

15 A window or door system in accordance with one aspect of the present disclosure includes a frame adapted to be received within a window or door opening. A window or door unit is disposed on the frame, and a retainer is received by interference fit on either the frame or the window or door unit. The retainer has a portion that extends to engage the other of the frame and window or door unit, and to hold the window or door unit on the frame. The frame can be rectangular, for

example, and the retainer can be linear extending along at least one edge of the frame. The frame can include an outwardly opening slot, and the retainer can be received by snap fit in the slot.

A window or door system in accordance with the present disclosure can be received, for example, in a building wall that separates the interior from the exterior of the building. The window system alternatively can be installed in a door. The window or door system can be installed in a wall that separates interior areas of a building. The window or door unit itself can be of any suitable type, such as a window assembly having one or more fixed and/or operable (movable) sashes. The window or door system could include a sliding window or door unit. The window or door unit could include or even consist of a screen having a rim suitable for mounting on the frame by means of the retainer. Thus, the terms "window unit" and "door unit" must be read to include these and other suitable types of units. The retainer can be of any suitable type that is mounted by interference fit. The term "interference fit" includes, but is not limited to, snap fit and press fit.

#### **Brief Description of the Drawings**

The disclosure, together with additional objects, features, advantages and aspects thereof, will best be understood from the following description, the appended claims and the accompanying drawings, in which:

FIG. 1 is a fragmentary exterior perspective view of a window system in accordance with one exemplary embodiment of the present disclosure;

FIG. 2 is a fragmentary sectional view taken substantially along the line 2-2 in FIG. 1;

FIG. 3 is a perspective view of the frame in the window system of FIGS. 1 and 2;

FIG. 4 is a sectional view taken substantially along the line 4-4 in FIG. 3;

FIG. 5 is an end elevational view of an exterior window unit retainer in the system embodiment of FIGS. 1 and 2;

FIG. 6 is an end elevational view of a modification to the retainer of FIG. 5;

FIG. 7 is an end elevational view of an interior retainer in the exemplary embodiment  
5 of FIGS. 1 and 2;

FIG. 8 is a fragmentary sectional view similar to that of FIG. 2 but showing a second exemplary embodiment of the present disclosure;

FIG. 9 is a fragmentary sectional view on an enlarged scale of a modification to the portion of FIG. 8 within the area 9;

FIG. 10 is a fragmentary horizontal sectional view of a window system in accordance  
10 with an exemplary embodiment of the disclosure at an intermediate stage of assembly;

FIGS. 11 and 12 are fragmentary sectional views that illustrate the window system of FIG. 10 at respective later stages of assembly;

FIG. 13 is a fragmentary sectional view of a window system in accordance with yet  
15 another exemplary embodiment of the present disclosure;

FIGS. 14 and 15 are perspective views of frames in accordance with respective additional exemplary embodiments of the disclosure;

FIG. 16 is a sectional view of a window system similar to that in FIG. 2;

FIGS. 17-19 are sectional views of modifications to the system of FIG. 16;

FIG. 20 is a perspective view of a window frame and cover in accordance with a  
20 modification to FIG. 10;

FIG. 21 is a fragmentary exploded perspective view of the frame and cover in FIG. 20;

FIG. 22 is a fragmentary elevational view of the frame and cover in FIGS. 20 and 21;

FIGS. 23-27 are fragmentary perspective views of portions of the window system  
5 illustrated in FIG. 19;

FIG. 28 is a sectional view that illustrates a further embodiment of the disclosure; and

FIG. 29 is a perspective view that illustrates an embodiment of the disclosure in a sliding door system.

#### **Detailed Description of Preferred Embodiments**

10 FIGS. 1 and 2 illustrate a window system 20 in accordance with an exemplary embodiment of the present disclosure as including a window unit 22 mounted within a frame 24 that is secured to a wall 26. Frame 24 is rectangular in this embodiment, as illustrated in FIG. 3, and can include four rails 28-34 of rigid construction secured end-to-end. Rails 28-34 preferably are of vinyl construction, but could be wood, aluminum, fiberglass or other plastic construction. Rails 28-34 can  
15 be joined by welding mitered ends of the rails to each other or by other joining means well known in the art, such as by corner keys. FIG. 4 illustrates an exemplary cross section of rail 32, the four rails preferably having identical cross sections. Rail 32 (and rails 28-30 and 34) can be of extruded plastic construction, such as plastic regrind construction. Rail 32 (and rails 28-30 and 34) has at least one opening such as a laterally outwardly opening slot 36, and can have laterally outwardly opening slots  
20 36, 38 on opposed sides of the rail. Each slot 36, 38 has an associated internal shoulder 40, 42. Rail 32 (and the other frame rails) preferably also has an outwardly extending flange 44 for securing frame 24 to a building wall, as exemplified in FIG. 2.

Frame 24 has an interior window unit opening defined in this exemplary embodiment by four planar surfaces 46, 48, 50, 52 on the insides of respective rails 28-34. Surfaces 46-52 preferably are such that opposed surface pairs 46, 50 and 48, 52 are parallel to each other, and adjacent surface pairs 46 and 48, 48 and 50, 50 and 52, and 52 and 46 are perpendicular to each other. Window unit 22 is slidably received within frame 24 within these planar surfaces. Window unit 22 can include at least one window sash, which can be fixed or movable. In the example of FIG. 2, window unit 22 includes a fixed sash 54 and a movable sash 56. Sashes 54, 56 can be preassembled to a window unit frame 58, which is slidably received within surfaces 46-52 of frame 24. Window unit frame 58 can be, but need not be, of the same material as frame 24. The specific construction of window unit 22 illustrated in FIGS. 1 and 2 (and in FIGS. 8 and 13-19) is exemplary only.

An exterior key or retainer 60 is received by interference fit, preferably snap fit, within slot 36 of at least one rail 28-34 of frame 24 for holding window unit 22 within the frame. In the exemplary embodiment of FIGS. 1-5, there are three exterior retainers 60, 62, 64 received in slots 36 of frame rails 28, 30 and 34 respectively. Each retainer 60-64 preferably is in the form of an elongated linear rail having a base 66 and a flange 68 (FIG. 5). Flange 68 preferably terminates in a barb 70 that is adapted to engage shoulder 40 of frame 24 to hold the retainer in position. There is no retainer along bottom rail 32 of frame 24 in the embodiment of FIGS. 1-2 so that water can drain unimpeded from window unit 22. As an alternative, a retainer could be employed along the bottom window edge in FIG. 1 (see FIGS. 17-19 and 23-27), with the retainer having weep openings or other means to facilitate drainage. Retainers 60-64 can be of elongated linear plastic construction such as extruded vinyl construction. Retainers 60, 62, 64 can be joined in a one-piece construction, such as

by being welded at mitered ends. FIG. 6 illustrates a modification 60a to exterior rail 60 (FIG. 5), in which rail base 66a is hollow and rectangular.

In the embodiment of FIGS. 1-2, there also is an interior retainer 72 (FIG. 7) along the building interior edge of each frame rail to function as an inner or interior stop for installation of window unit 22. Two such interior retainers 72 are illustrated in FIG. 2. Each interior retainer 72 preferably has a body 74 from which a flange 76 extends to terminate in a barb 78 that is received by snap fit over shoulder 42 (FIG. 4) of the associated frame rail. Interior retainers 72 could be integral with frame 24 (see FIG. 19).

FIGS. 1 and 2 illustrate an exemplary embodiment of the disclosure installed on a building wall having exterior stucco trim 80 and horizontal sashes 54, 56. FIG. 8 illustrates another exemplary embodiment 82 having vertical sashes 84, 86 and installed on a building wall having exterior siding trim 88. FIG. 9 illustrates a modified interior retainer 72a having an elongated body 74a to eliminate the need for the drywall sill in FIG. 8.

To install a window system in accordance with exemplary embodiments of the present disclosure, a window opening is prepared as illustrated in FIG. 10 and window frame 24 is installed. Frame 24 can be packaged with a cover 90, such as a translucent or transparent plastic cover, that is removably received on frame 24 temporarily to close the window opening during further construction-related activities. An alternative cover 90a, as shown in FIGS. 20-22, is removably received into at least one outwardly opening slot 36 of frame 24 by means of lineally projecting flange 70. Exterior stucco, vinyl, brick or other suitable exterior trim 80 is installed over the wall around frame 24 as illustrated in FIG. 11. Interior retainers 72 or 72a are then installed (FIG. 12) so that interior drywalling can be completed as illustrated in FIGS. 2, 8 and 9. Inasmuch as the interior

retainers normally are not removable, these retainers could be fabricated as an integral part of the frame (see FIG. 19). With wall construction thus substantially complete, cover 90 can be removed and window unit 22 or 82 installed by slidable receipt within frame 24. One or more exterior retainers 60 or 60a are then installed to hold window unit 22 or 82 firmly in place. The exterior retainers can be removable to facilitate replacement or repair of the window unit.

FIG. 13 illustrates a window system 104 in which exterior retainers 60c and interior retainers 72c are received by snap fit within openings 106, 108 in window unit 110. Double-sided structural tape 112 can be disposed between retainers 60c, 72c and the opposing faces of frame 24c to help hold the retainers in place.

In the exemplary embodiments discussed above, the frame 24 or 24c is rectangular. FIGS. 14 and 15 illustrate non-rectangular frames in accordance with other exemplary embodiments of the disclosure. FIG. 14 illustrates a gable frame 24a. FIG. 15 illustrates a radius frame 24b. In both FIGS. 14 and 15, the frame preferably is constructed of rails joined at their ends, such as plastic rails welded at their ends. The window units for frames 24a and 24b typically can comprise a single non-movable sash.

FIG. 16 illustrates a window system 114 that is similar in many respects to the window system 20 in FIG. 2. Window unit frame 58 is retained in frame 24 by retainers 60a and 72. Double-sided structural tape 112 can be disposed between retainers 60a, 72 and frame 58.

FIG. 17 illustrates a window system 116 having decoratively contoured exterior retainers 118, 120. The interior retainers are in the form of interior jamb liners 122. This embodiment has the advantage that window unit 58 can be installed from the building interior.

FIG. 18 illustrates a window system 124 that is similar in many respects to window system 116 in FIG. 17, except that the interior surfaces of frame 24d are at a slight angle to facilitate drainage. Frame 24d also carries bulb weatherstrips 126 to engage the exterior of window unit frame 58.

5 FIG. 19 illustrates a window system 128 in which interior retainers 72d are integral with frame 24e. Jamb liners 122a do not perform a retaining function in this embodiment. Weep openings 130 are drilled or otherwise formed in frame 24e to drain water to and through retainer 140. Weep openings 132 also can be formed in window frame 58 to drain water to and through retainer 140. Double-sided structural tape 112 can be disposed between retainer 118 and unit frame 58 to  
 10 help hold retainer 118 in place. Double-sided structural tape 112 between unit frame 58 and frame 24e helps hold frame 58 in place.

FIGS. 20-22 illustrate a modification to the embodiment of FIGS. 10-12, in which cover 90a has flanges 68 that terminate in barbs 70 for snap-retention within channel 36 in frame 24.

Cover 90a is retained in frame 24 until the final stage of construction, at which point cover 90a is  
 15 removed, the window unit is installed and the retainers are positioned to retain the window unit in the frame.

FIGS. 23-27 illustrate the embodiment of FIG. 19 in detail, particularly relating to the weep openings in the various elements for draining water away from the window unit and the window frame to the exterior of the building. FIGS. 19 and 23 illustrate frame 24e with weep  
 20 openings 130. These weep openings extend to and along the bottom surface of frame 24e, and open into the slot or channel 36 in the bottom frame rail. Window unit 54 has weep openings 132 (FIGS. 24-25) that open to the exterior of the window system. Lower retainer 140 has an interior pocket 134

that aligns in assembly (FIG. 25) over weep opening 132 in window unit 54 and over weep opening 130 in slot 36 of frame 24e. Pocket 134 opens at 136 (FIG. 26) at the lower edge of the retainer to drain water that flows to pocket 134 from weep opening 132 and/or weep opening 130, so that water draining from frame 24e and window unit 54 freely flows by gravity through retainer 140.

5           FIG. 28 illustrates a window system in which the window sashes 142, 144 are attached laterally to frame 24f by means of a mounting track 170.

The principles of the present disclosure, illustrated by way of example in FIGS. 1-28 in conjunction with window systems, apply equally as well to door systems, particularly sliding door systems. FIG. 29 illustrates in an exemplary sliding door system 150 as including a fixed panel 152  
10 and a sliding panel 154. The door panels are mounted in a frame 156 and secured by retainer 160, 162, 164, 166. Frame 156 and lower unit 166 preferably include weep draining functions of the type illustrated in FIGS. 19 and 23-27, and discussed above.

There thus has been disclosed a window or door system that fully satisfies all of the objects and aims previously set forth. The window or door system has been disclosed in conjunction  
15 with several exemplary embodiments, and modifications and variations have been discussed. Other modifications and variations readily will suggest themselves to persons of ordinary skill in the art in view of the foregoing description. The scope of the claims should not be limited by the preferred embodiments set forth in the examples, but should be given the broadest interpretation consistent with the description as a whole.

## Claims:

1. A window or door frame that includes at least one frame rail having an outward extending flange for securement to a building wall and having at least one planar surface for slidable receipt of a window or door unit and defining an opening for receiving the window or door unit, said rail having an outwardly opening slot on an exterior side of said frame for receiving at least one retainer to hold the window or door unit within said frame.
2. The window or door frame set forth in claim 1 wherein said frame is rectangular and said outwardly opening slot extends along at least three sides of said frame.
3. The window or door frame set forth in claim 1 wherein said outwardly opening slot has an internal shoulder for engagement by said retainer.
4. The window or door frame set forth in claim 1 wherein said frame comprises a plurality of frame rails of plastic, wood, aluminum, fiberglass or vinyl construction.
5. The window or door frame set forth in claim 4 wherein said frame rails are of plastic regrind construction.
6. The window or door frame set forth in claim 1 wherein said frame is of rigid plastic construction.
7. The window or door frame set forth in claim 1 including a cover removably received on said frame at least prior to installation of said window unit into said frame.
8. The window or door frame set forth in claim 7 wherein said cover is of translucent or transparent plastic construction.

9. A method of assembling a window or door to a surrounding support structure such as a building wall, which includes the steps of:

(a) mounting a frame within a window or door opening in the support structure, including securing an outward extending flange of the frame to the building wall,

(b) temporarily mounting a cover over said frame temporarily to close the window or door opening, wherein said cover has a flange removably received within said outwardly opening slot on said exterior side of said frame,

(c) subsequently removing said cover and positioning a window or door unit within said frame by sliding said window or door unit along planar surfaces that define an opening of said frame, and

(d) securing said window or door unit to said frame by mounting at least one retainer by interference fit on said frame or said window or door unit such that said retainer has a portion that extends to engage the other of said frame and said window or door unit and holds said window or door unit on said frame.

10. The method set forth in claim 9 wherein said cover is of translucent or transparent plastic construction.

11. A window or door system frame that includes at least one frame rail having an outward extending flange for securement to a building wall and defining a window or door unit opening defined by planar surfaces of said system frame for slidable receipt of a window or door unit frame of a window or door unit, said rail having an outwardly opening slot in said rail for receiving a retainer to hold the window or door unit within said window or door system frame, wherein said window or door system frame has outwardly opening slots on both interior and exterior sides of said window or door system frame.

12. The window or door system frame set forth in claim 11 wherein said window or door system frame is rectangular and said outwardly opening slot extends along at least three sides of said window or door system frame.

13. The window or door system frame set forth in claim 11 wherein said slot has an internal shoulder for engagement by said retainer.

14. The window or door system frame set forth in claim 11 wherein said window or door system frame comprises a plurality of frame rails of plastic, wood, aluminum, fiberglass or vinyl construction.

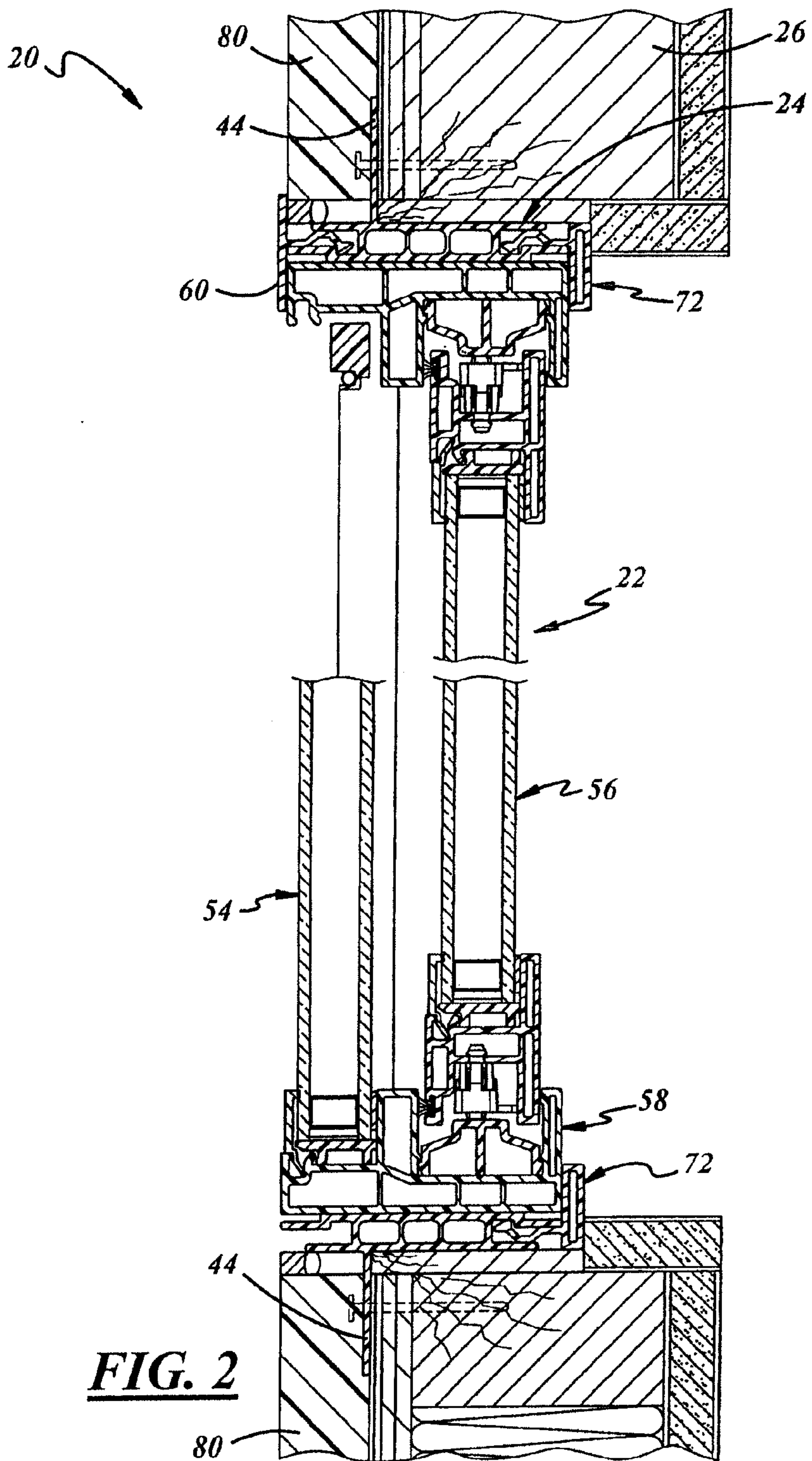
15. The window or door system frame set forth in claim 14 wherein said frame rails are of plastic regrind construction.

16. The window or door system frame set forth in claim 11 wherein said window or door system frame is of rigid plastic construction.

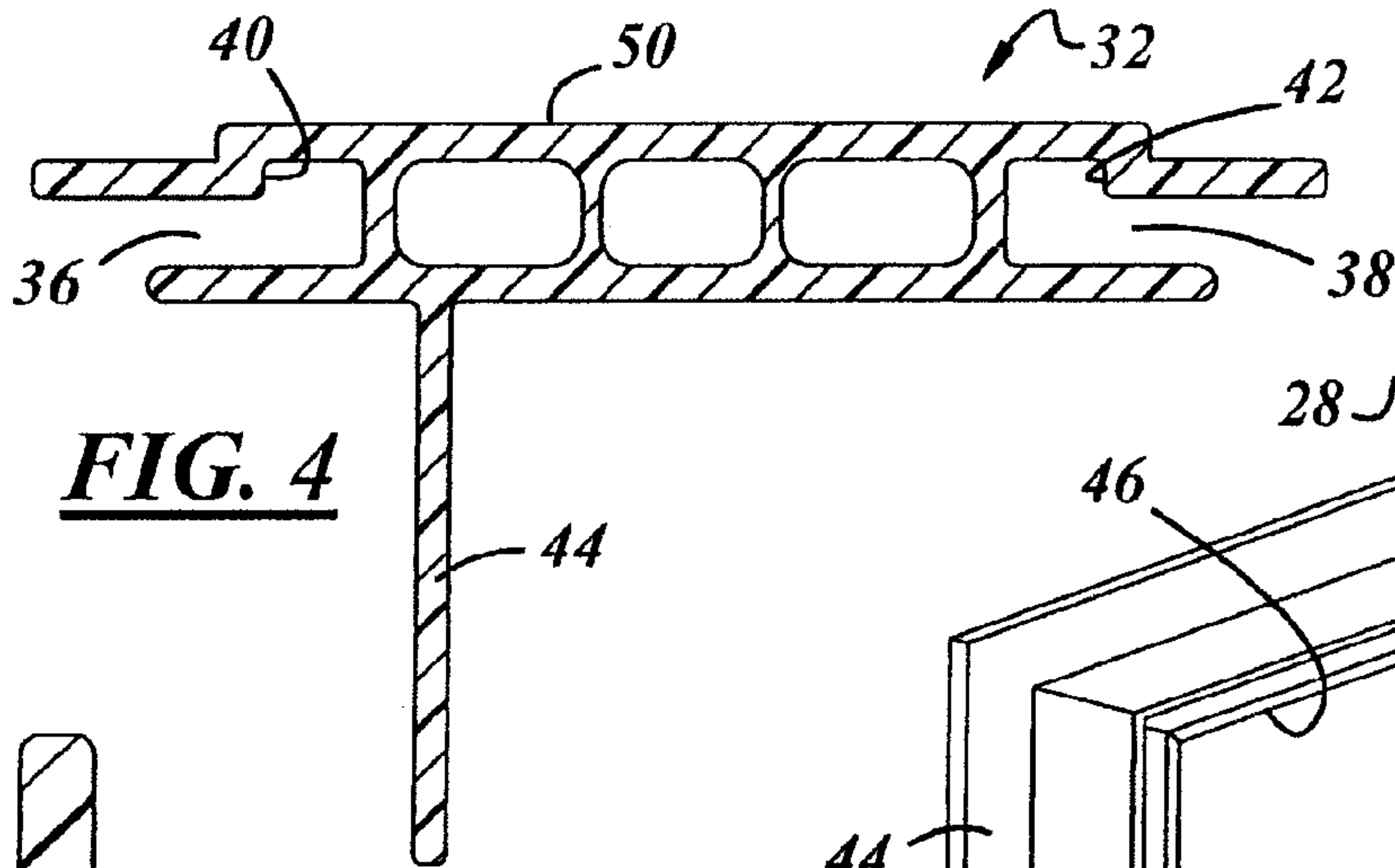
17. The window or door system frame set forth in claim 11 including a cover removably received on said window or door system frame at least prior to installation of said window unit into said window or door system frame.

18. The window or door system frame set forth in claim 17 wherein said cover is of translucent or transparent plastic construction.

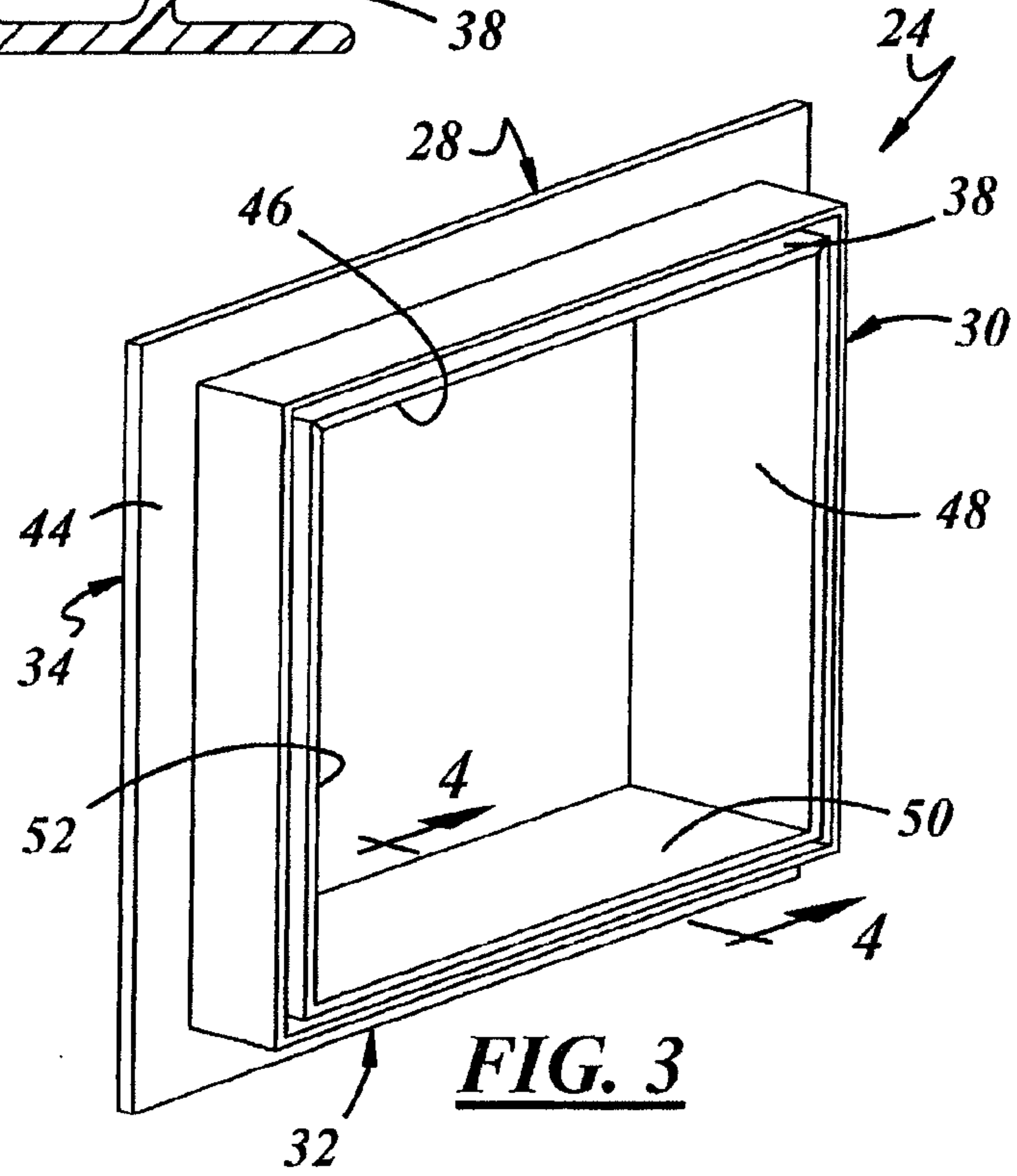




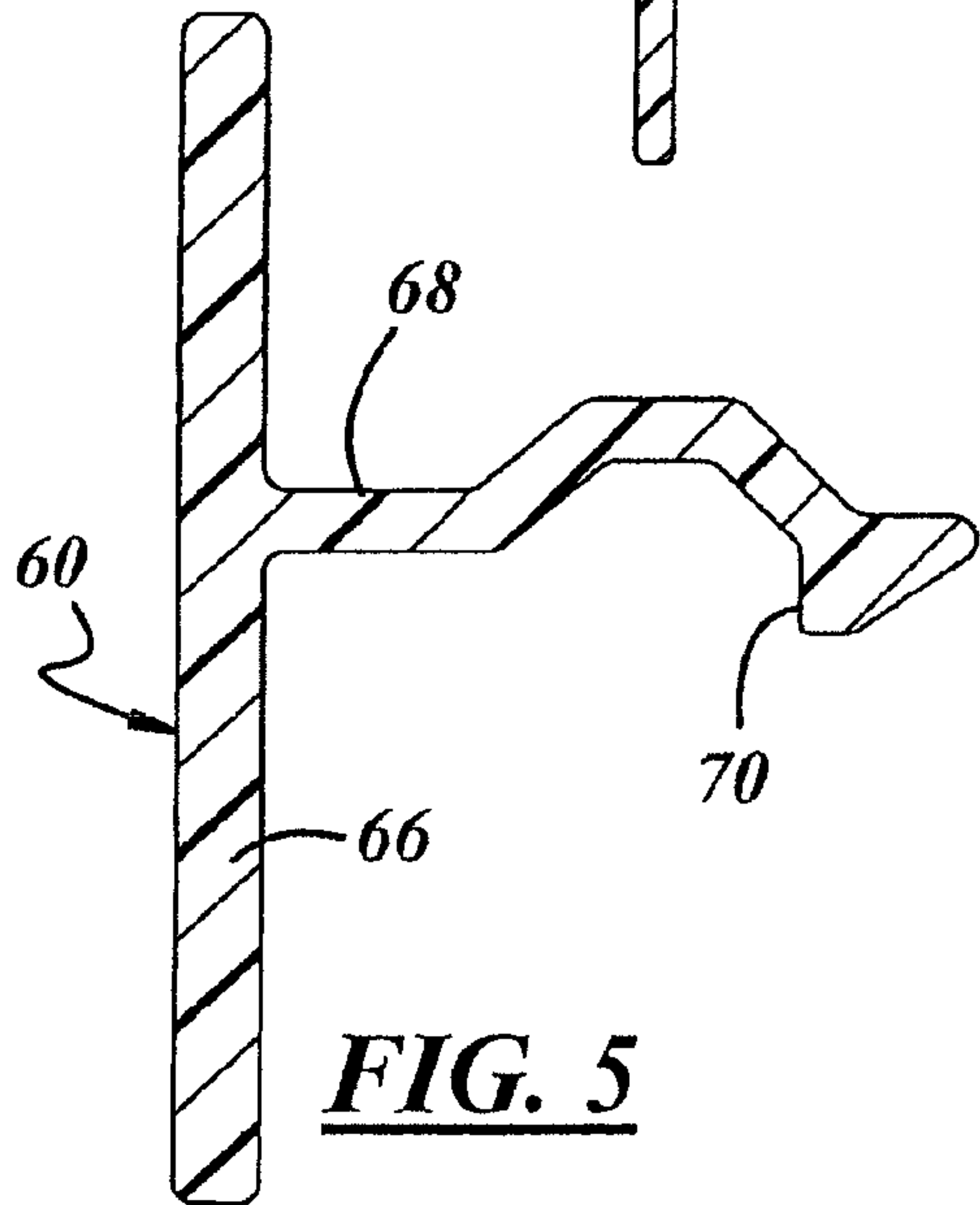
**FIG. 2**



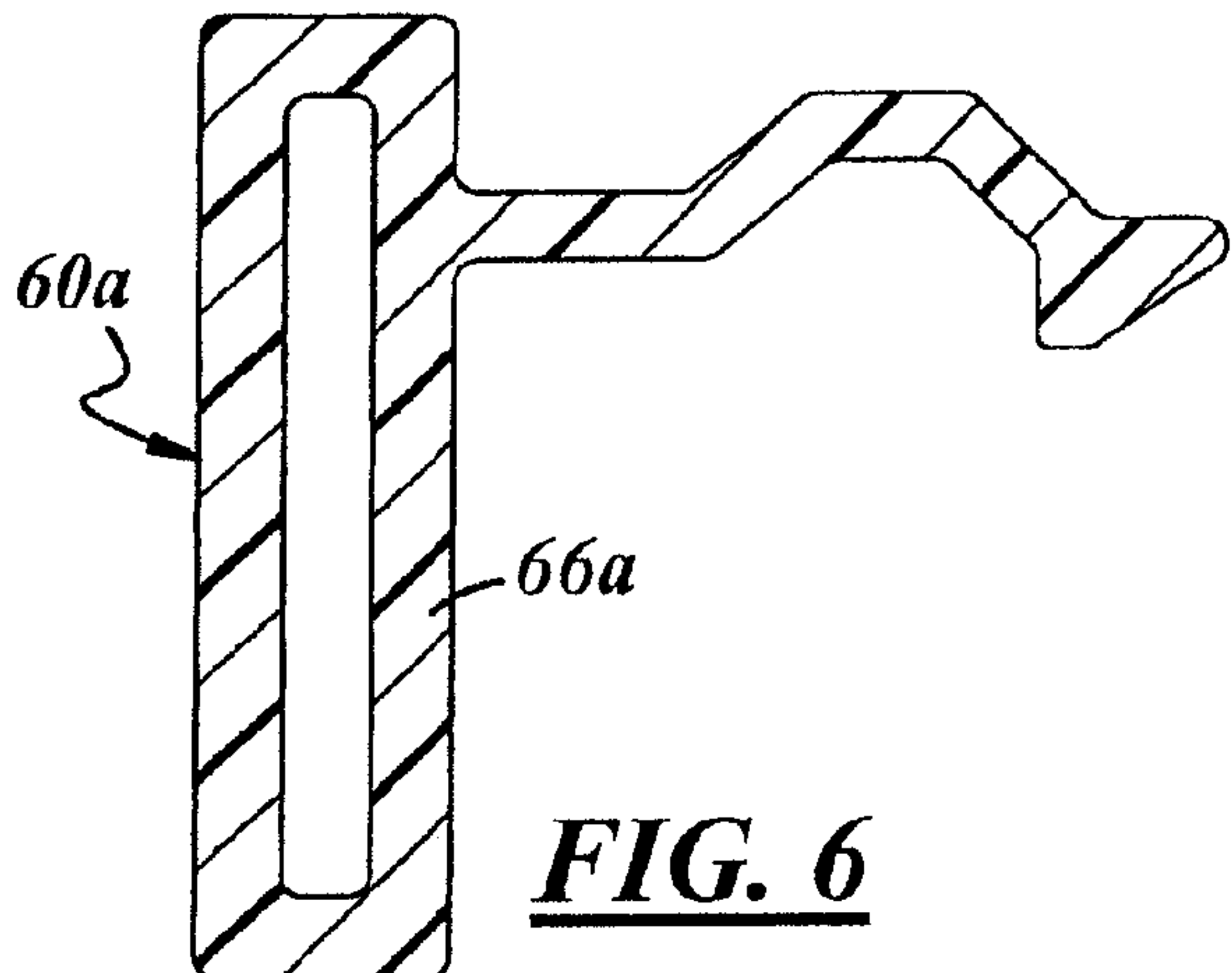
**FIG. 4**



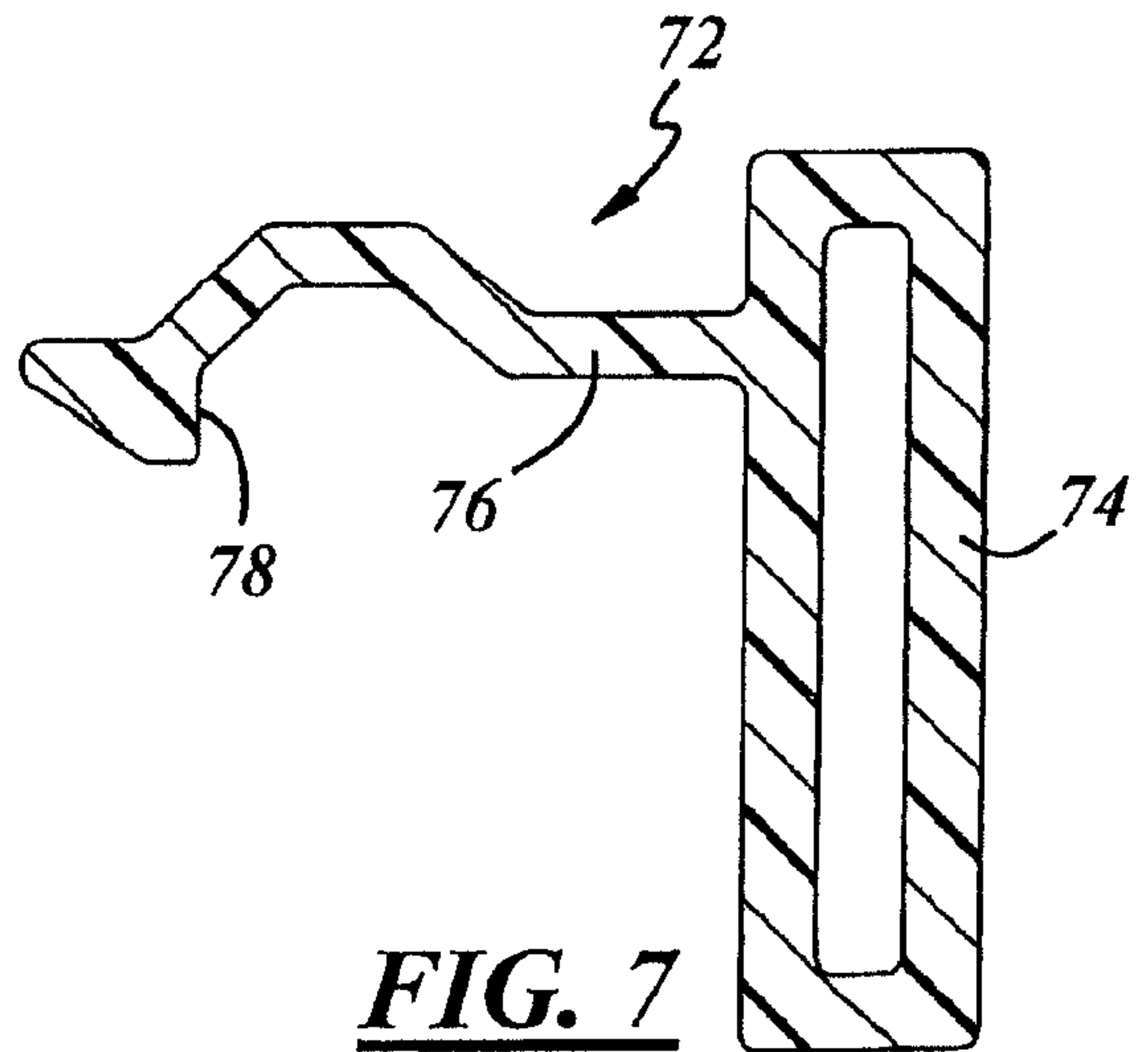
**FIG. 3**



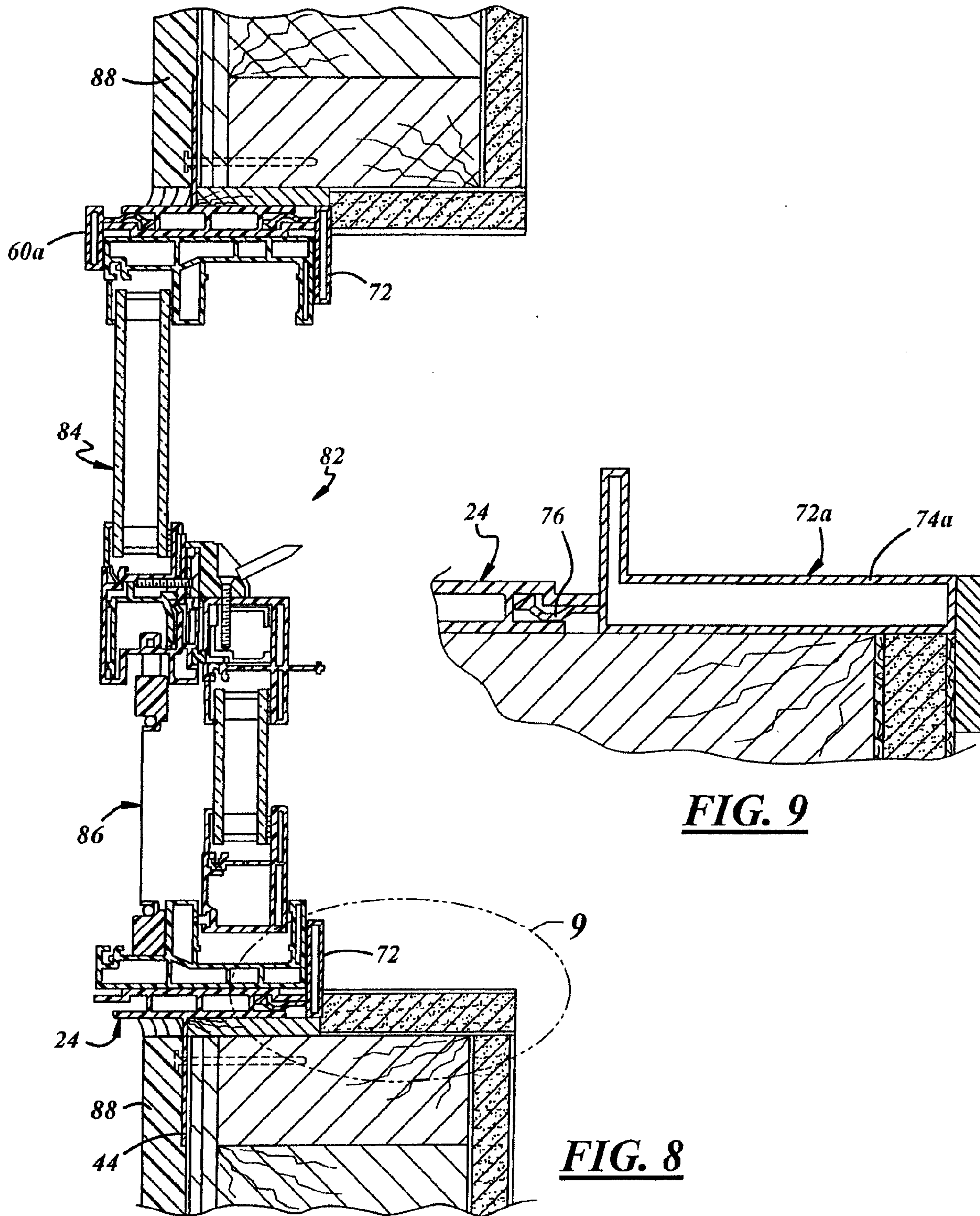
**FIG. 5**

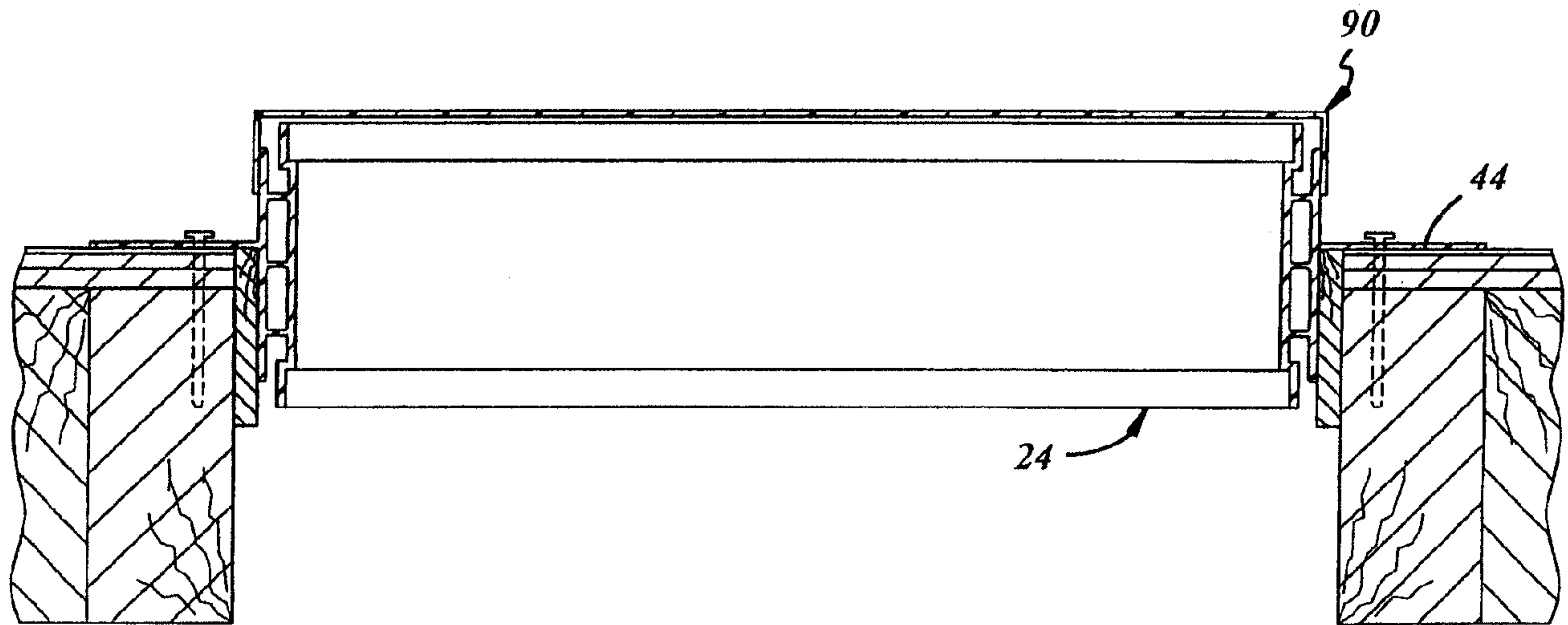


**FIG. 6**

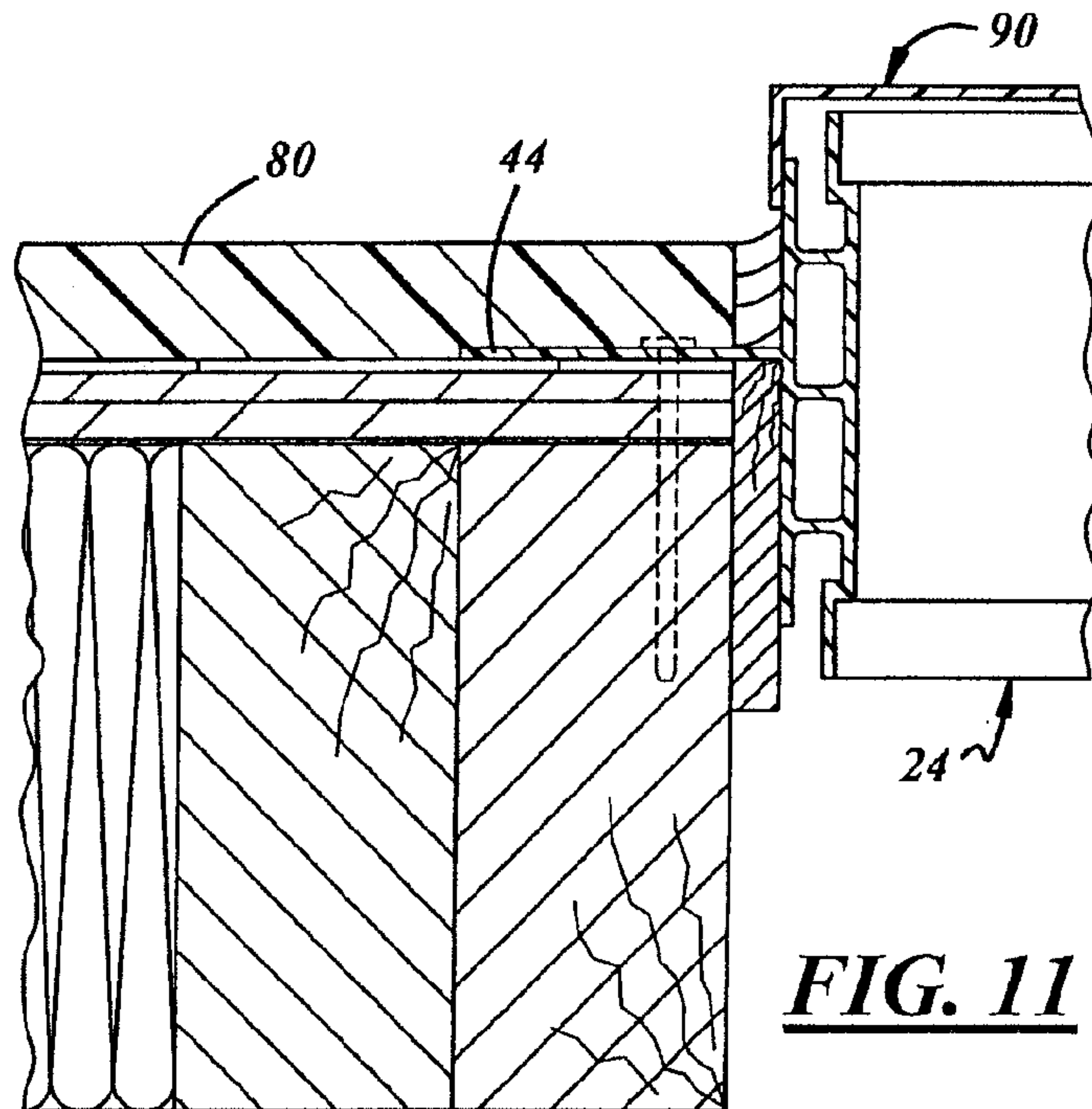


**FIG. 7**

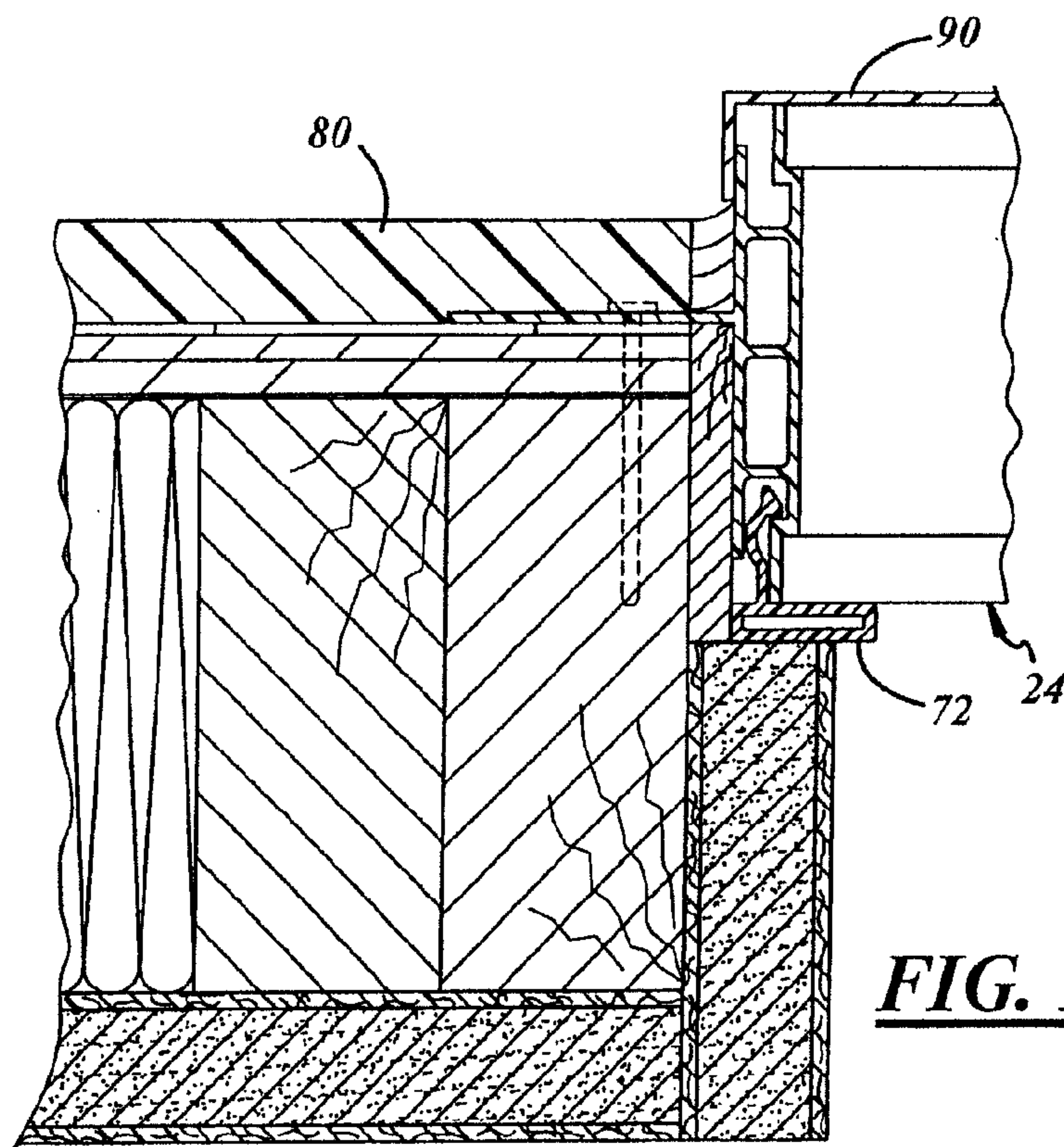




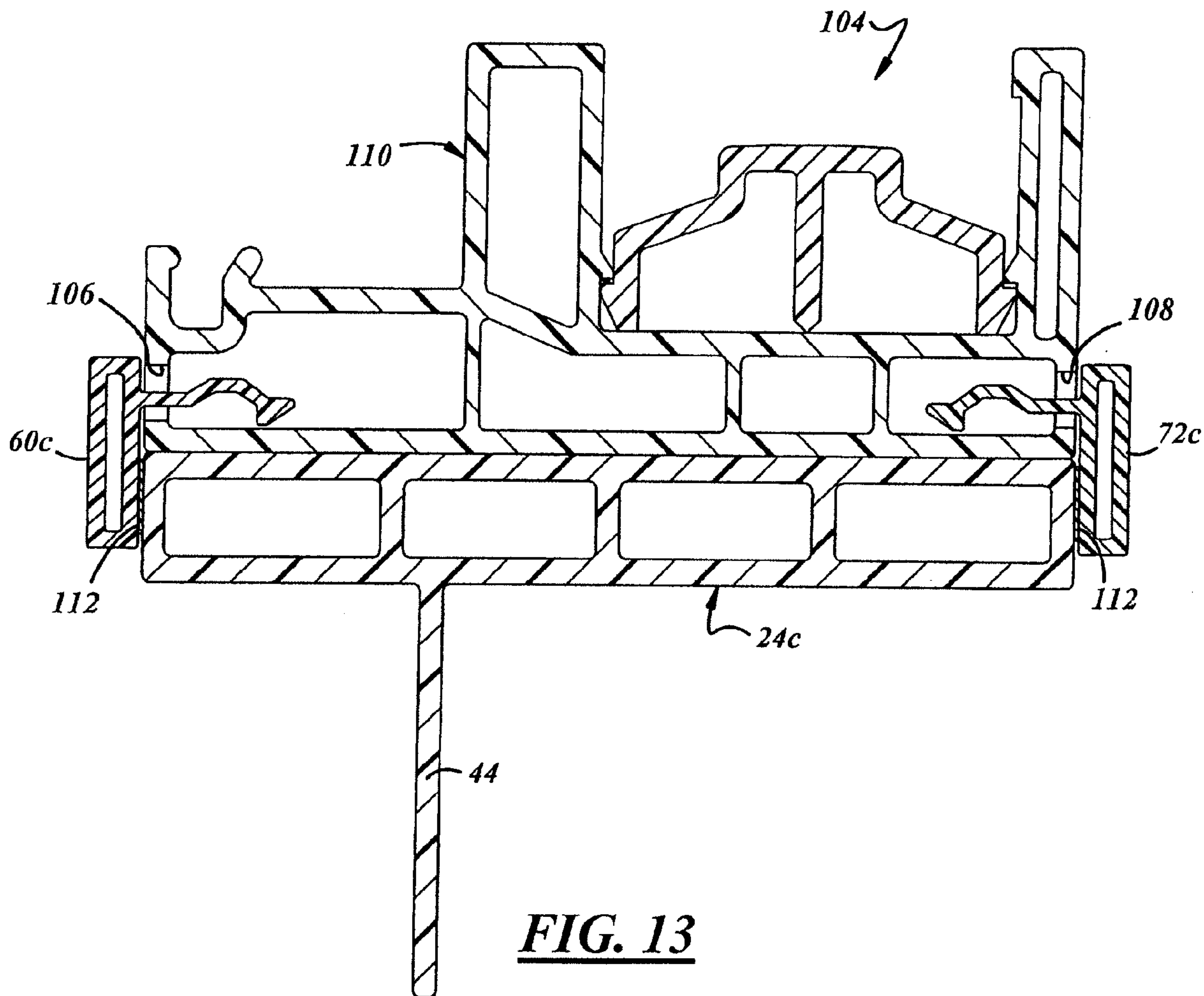
**FIG. 10**



**FIG. 11**



**FIG. 12**



**FIG. 13**

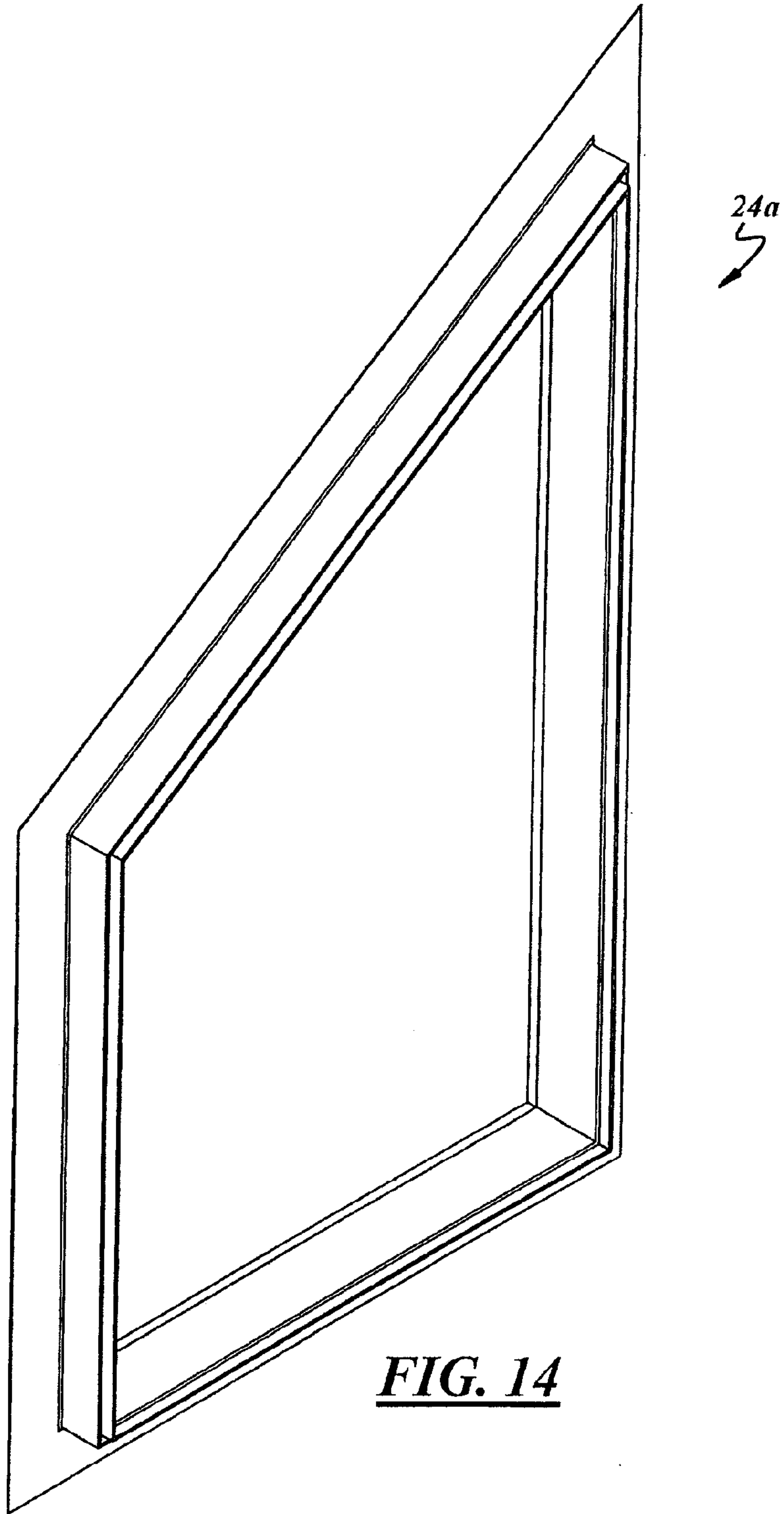
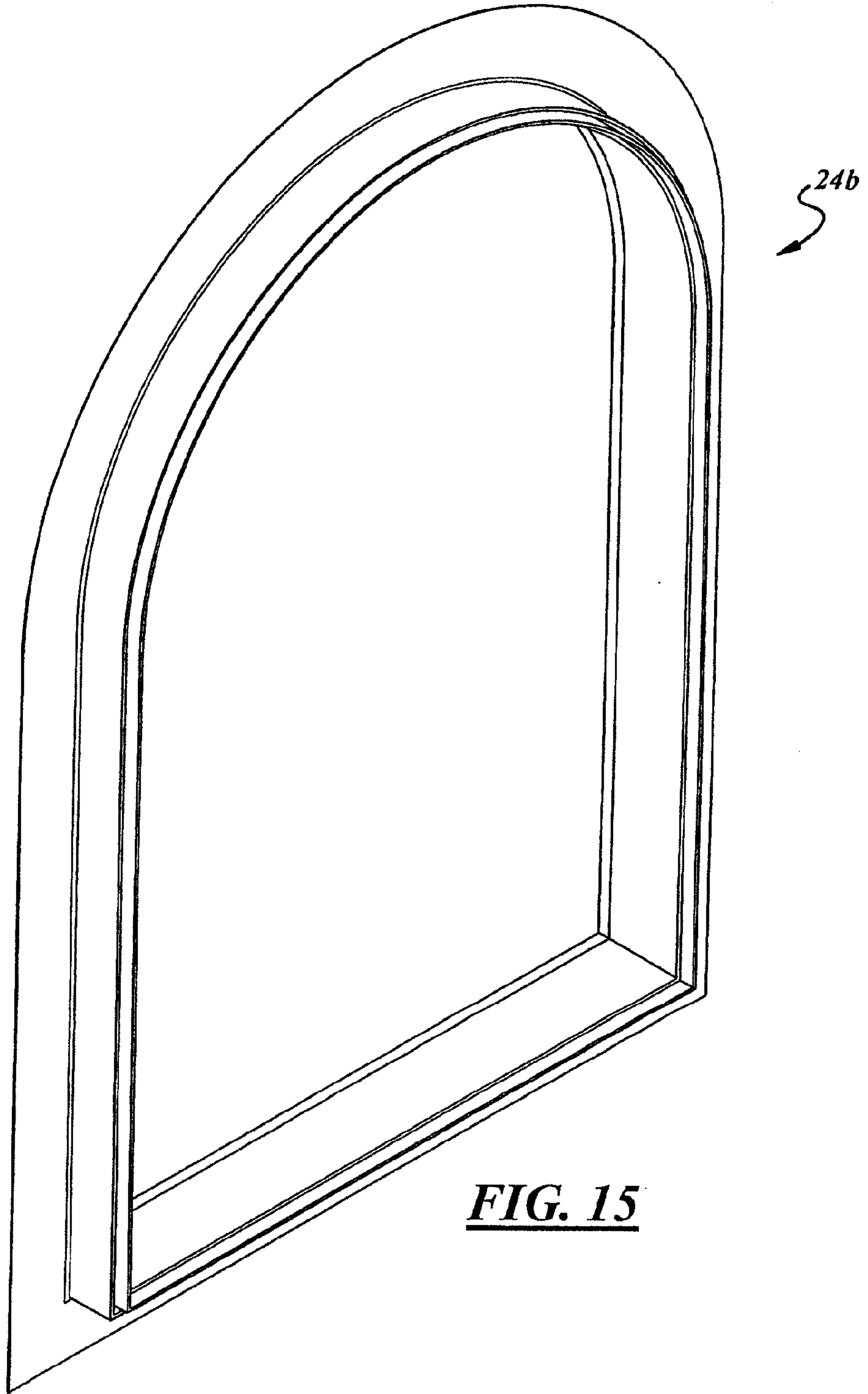
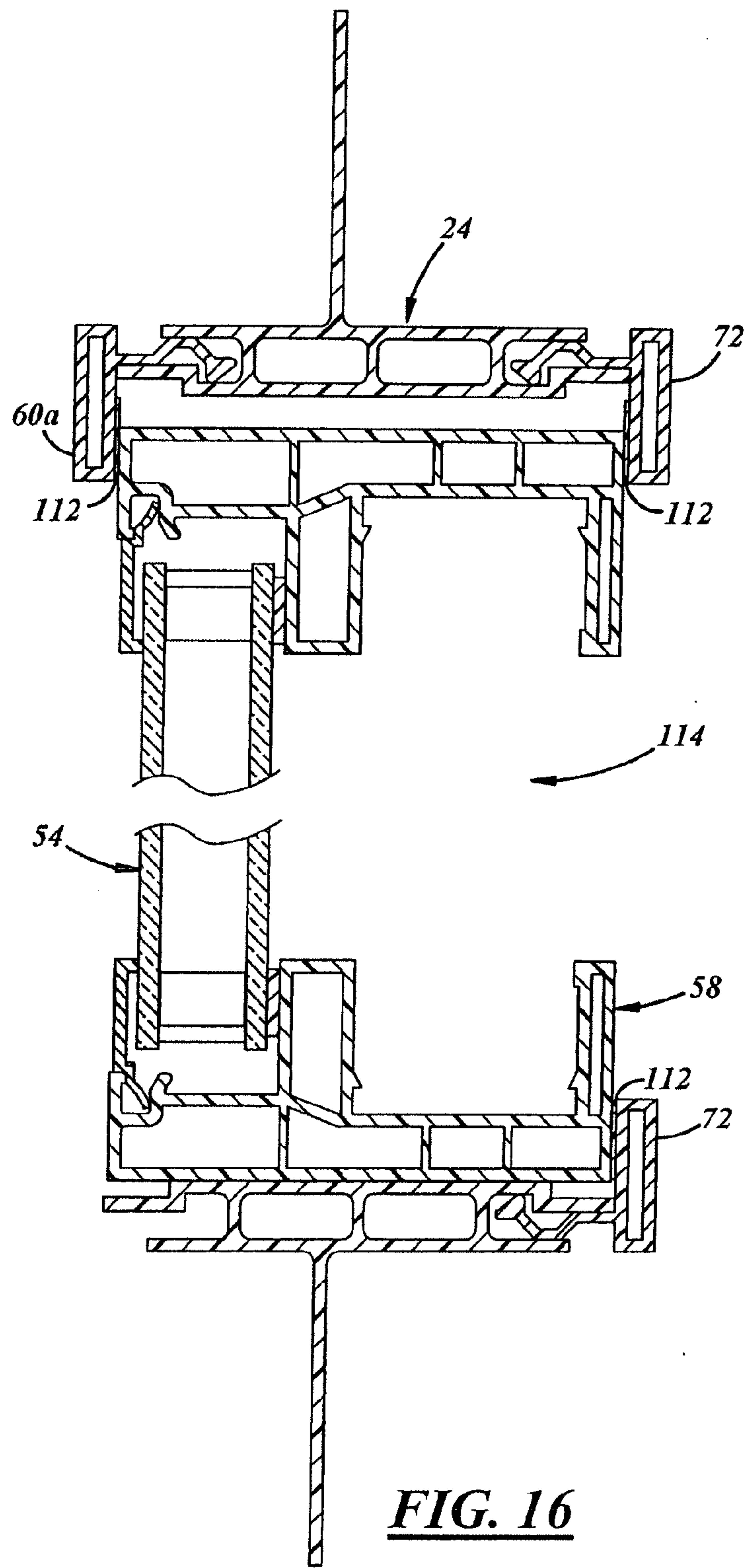
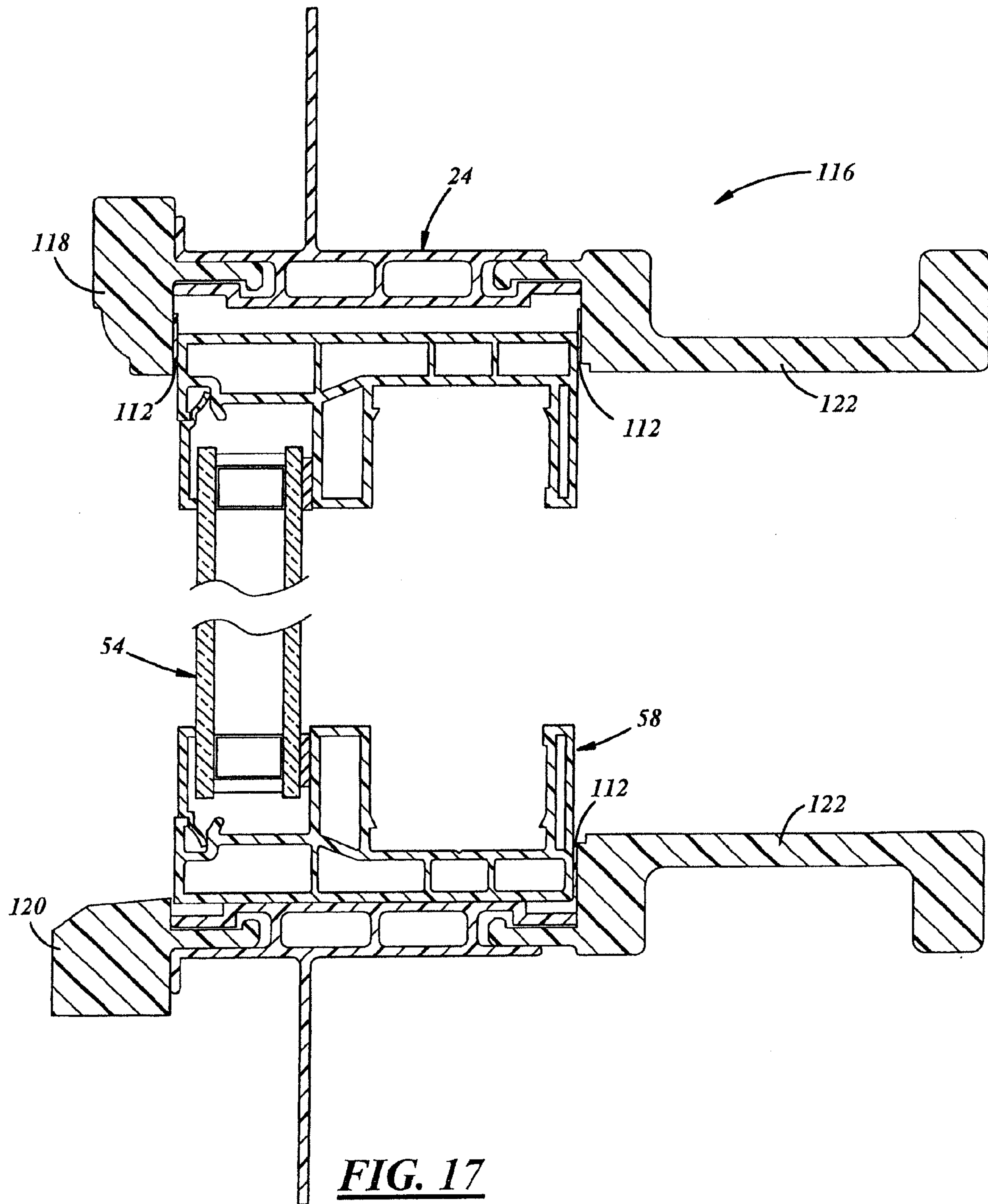


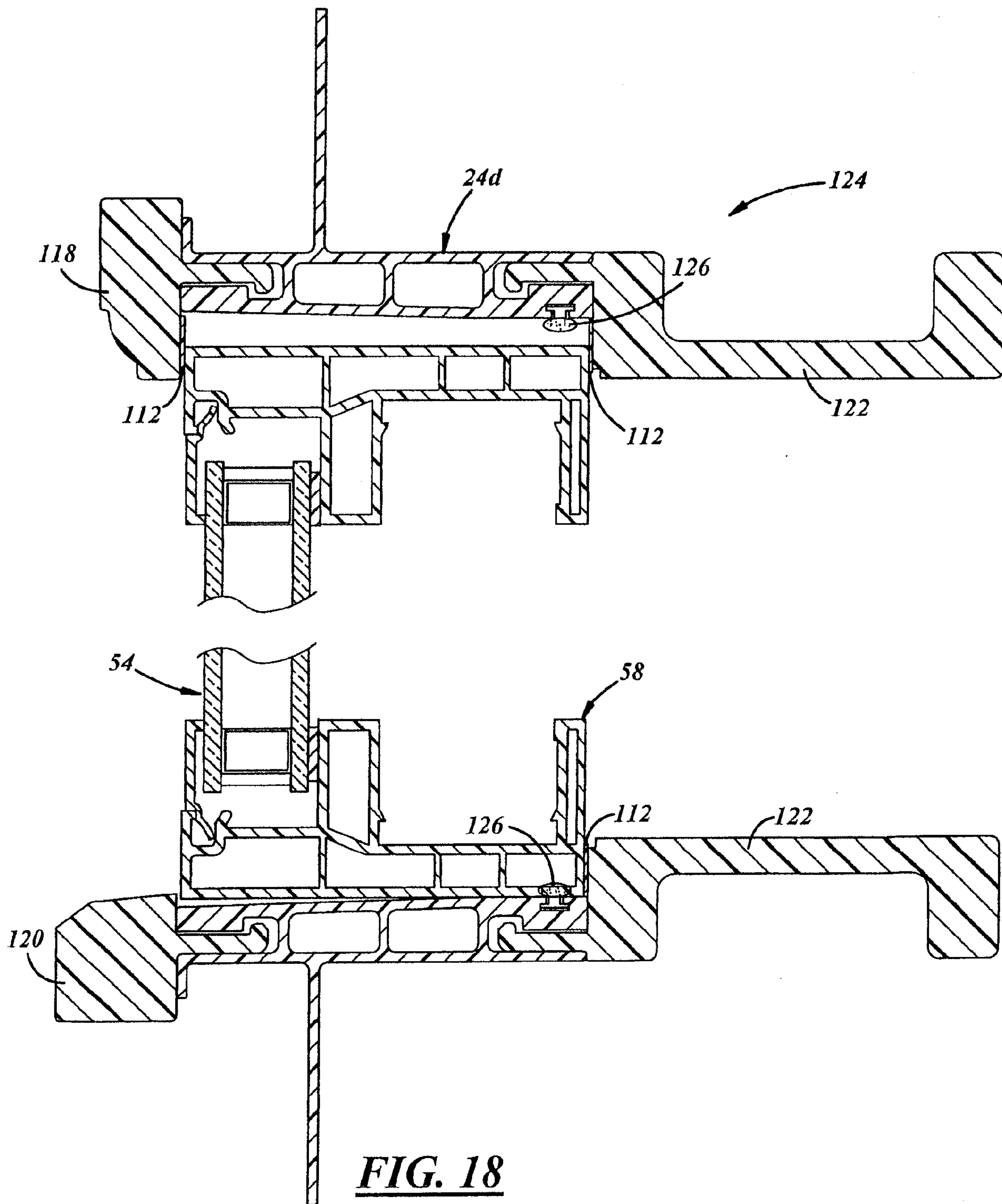
FIG. 14

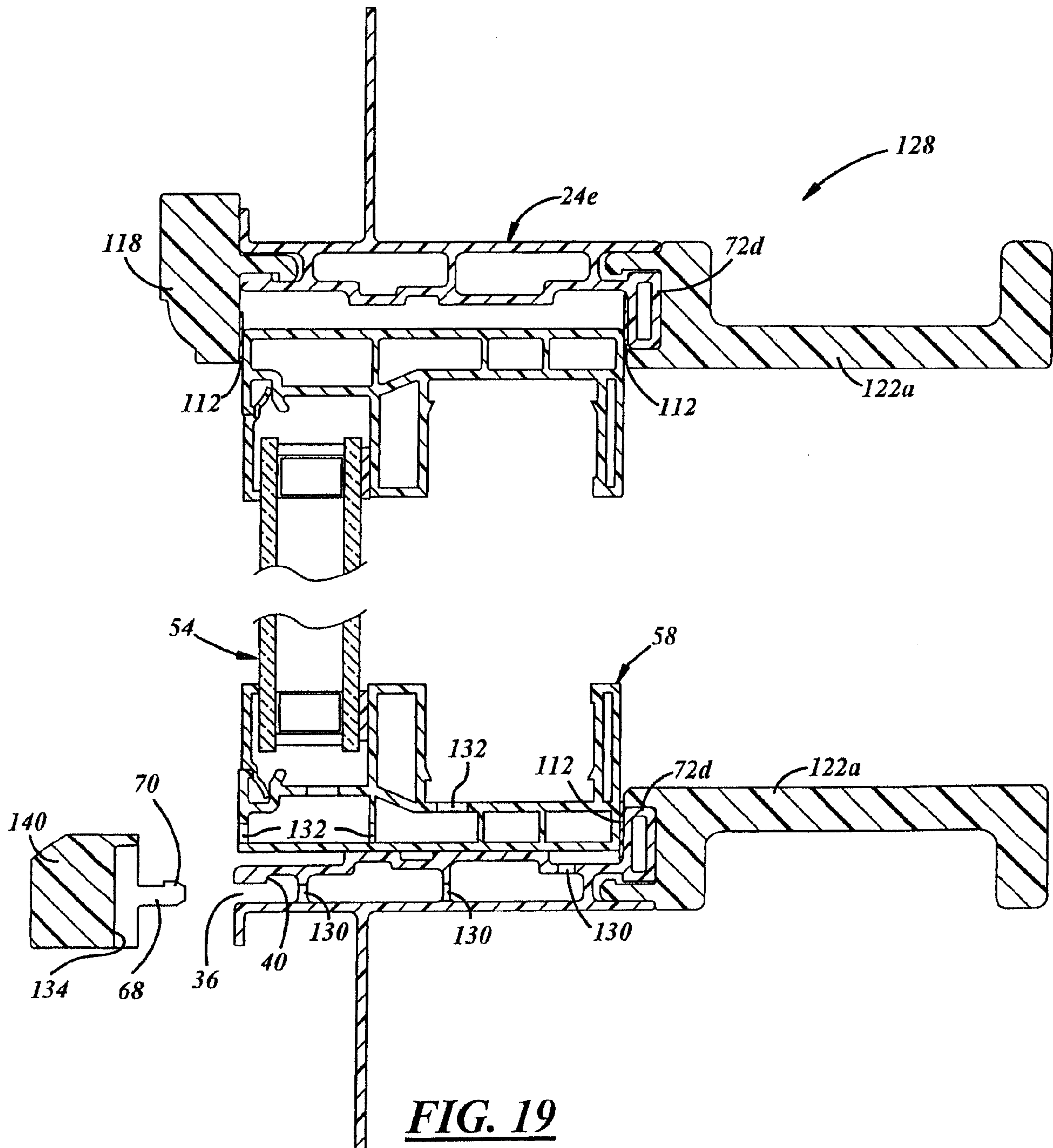


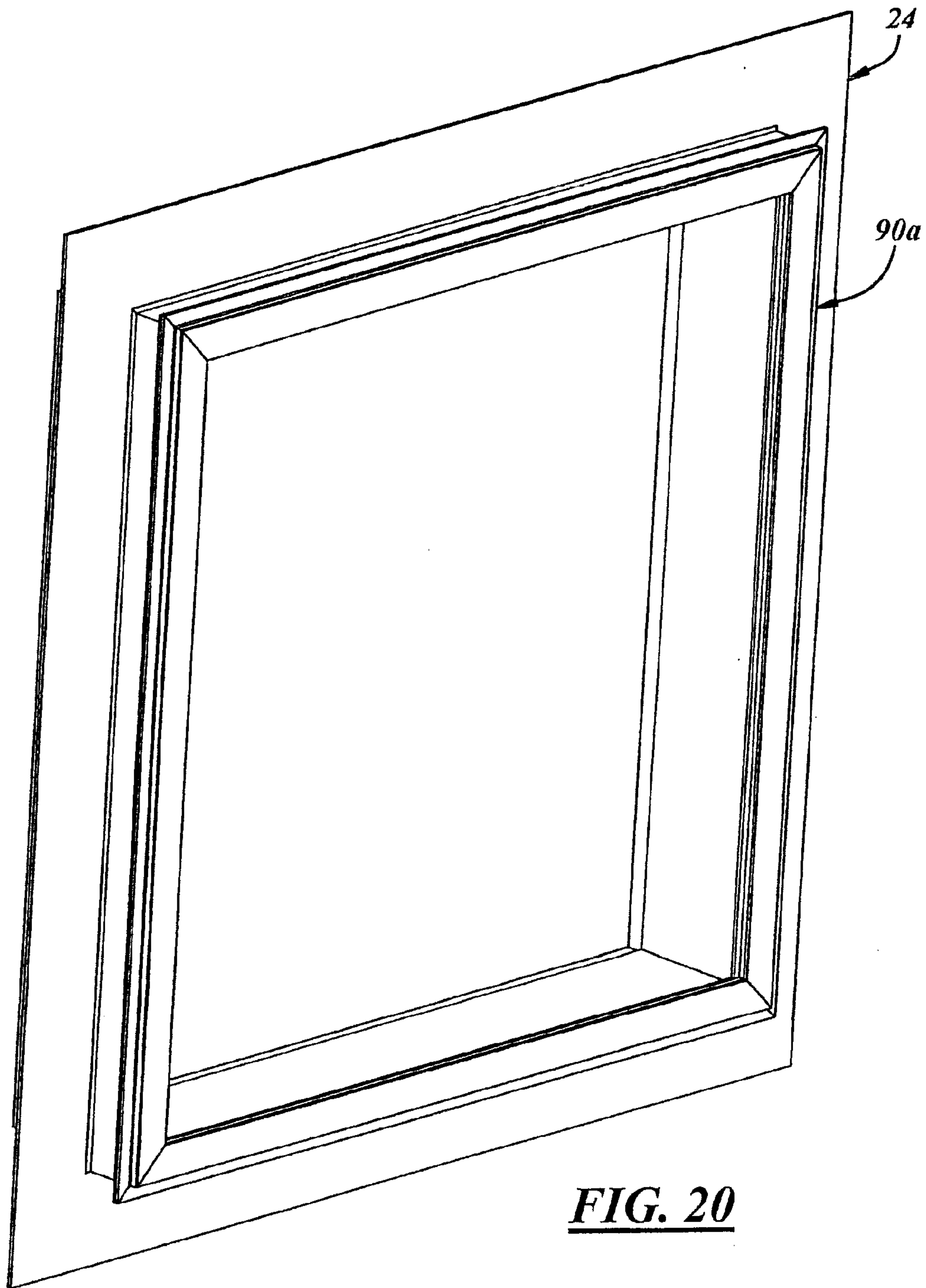
**FIG. 15**



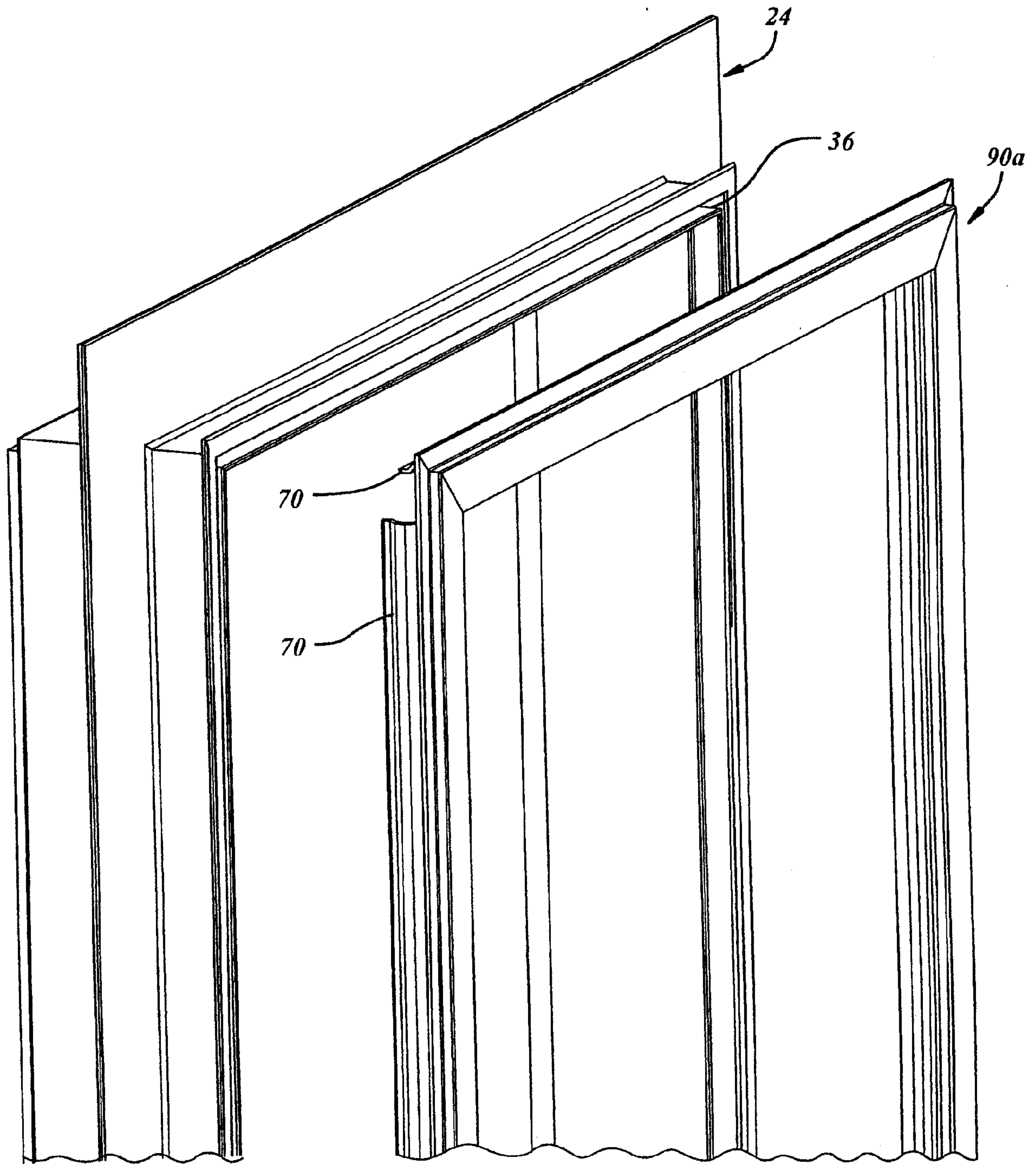




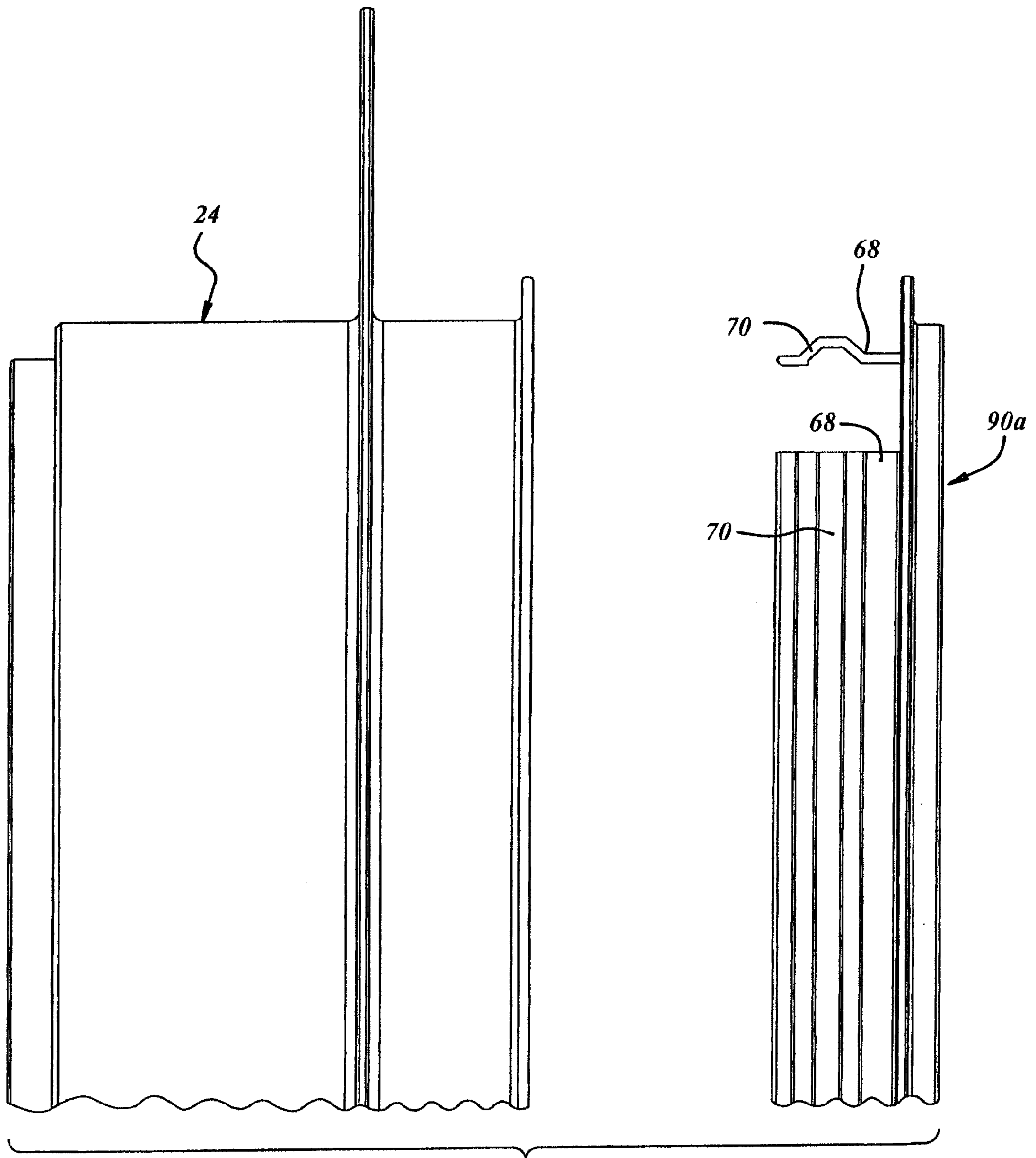




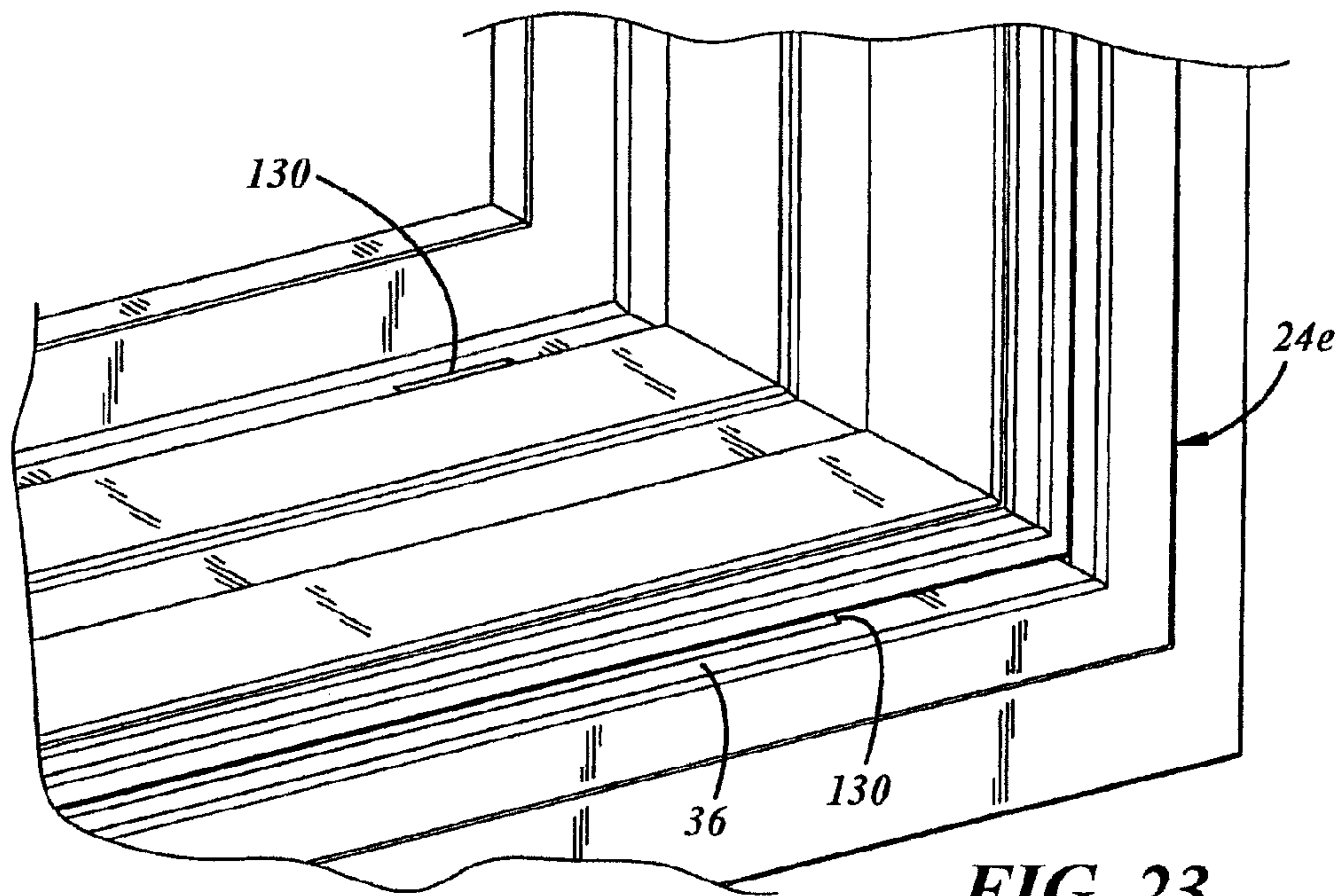
**FIG. 20**



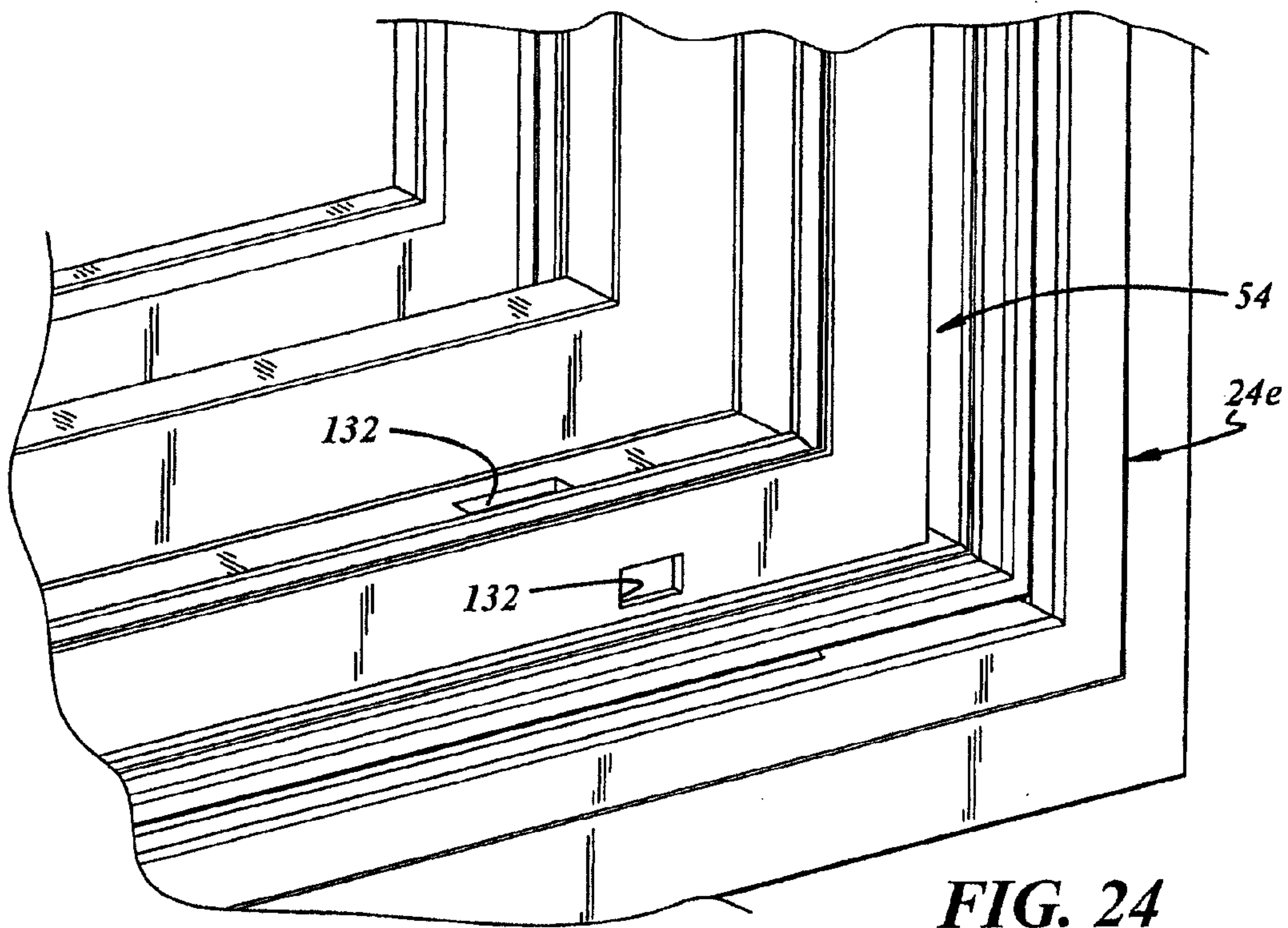
**FIG. 21**



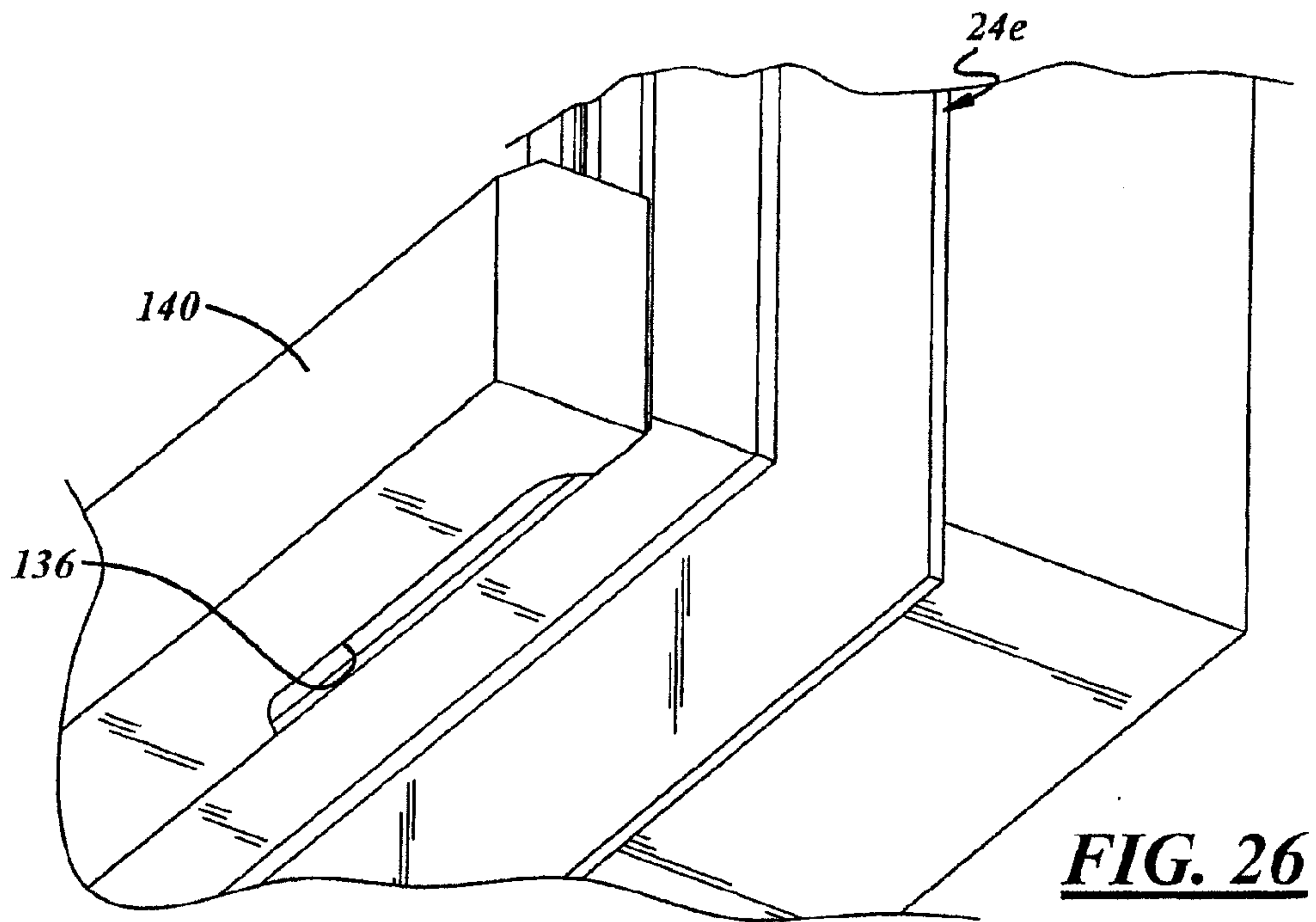
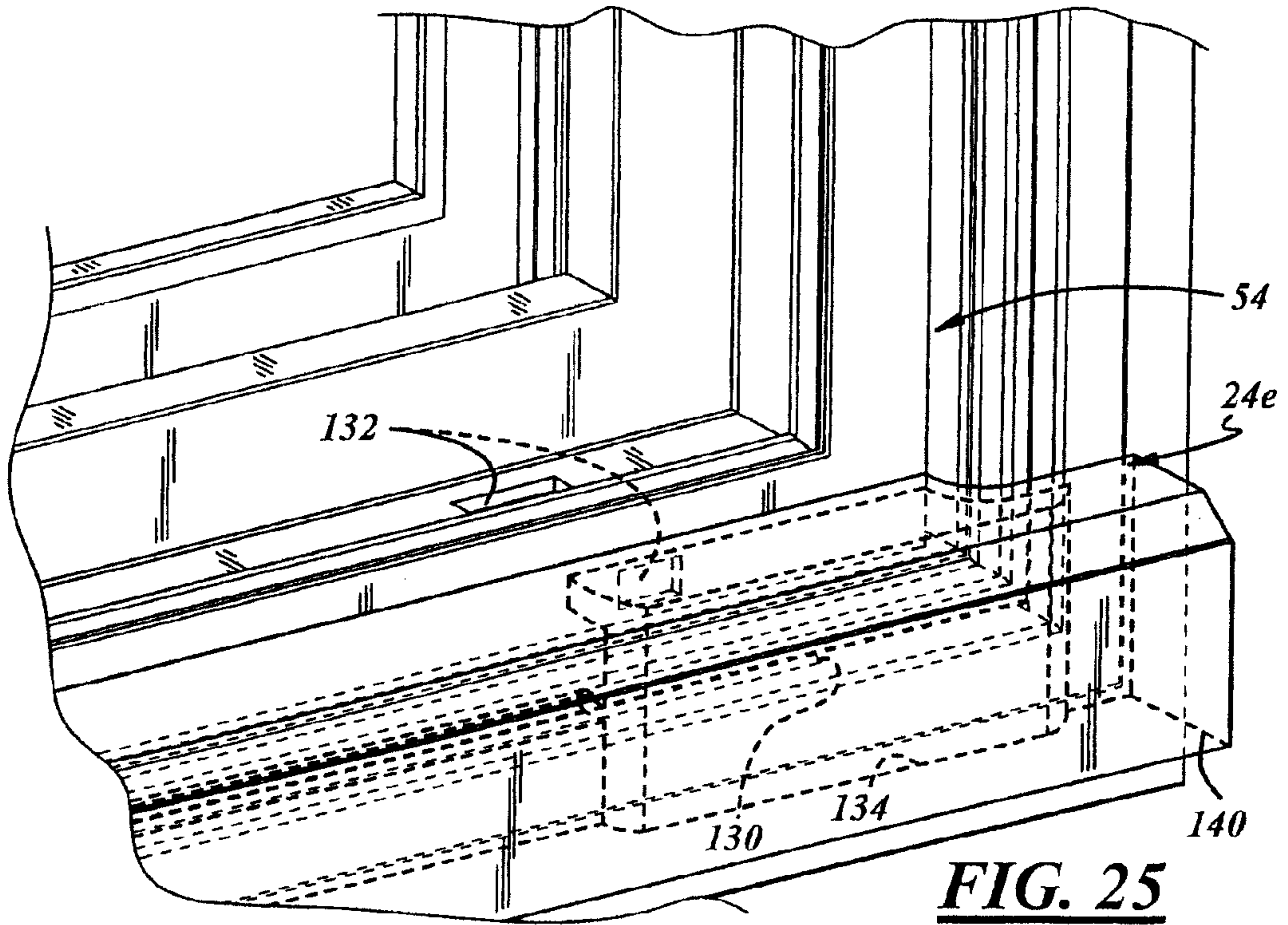
**FIG. 22**

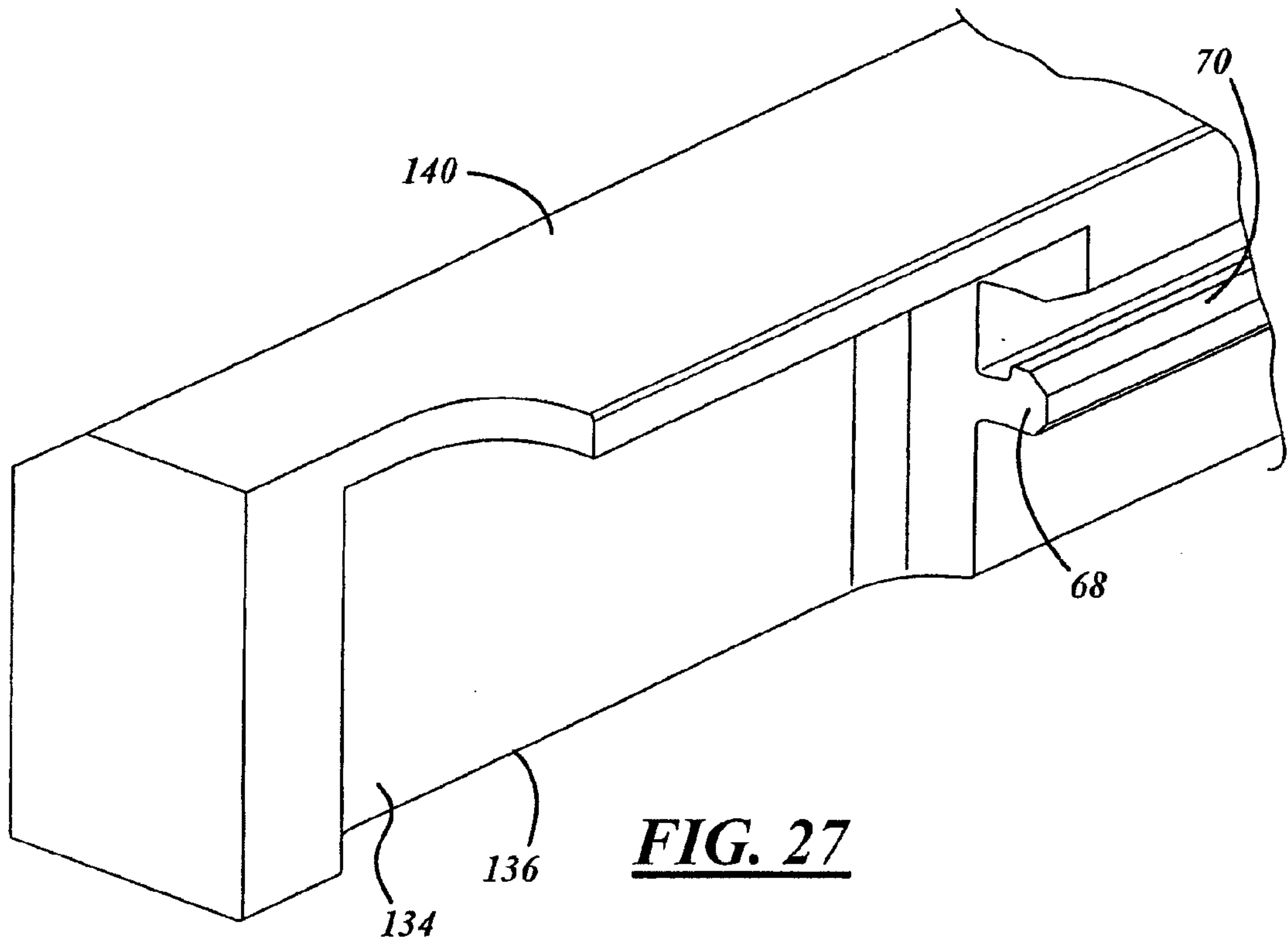


**FIG. 23**

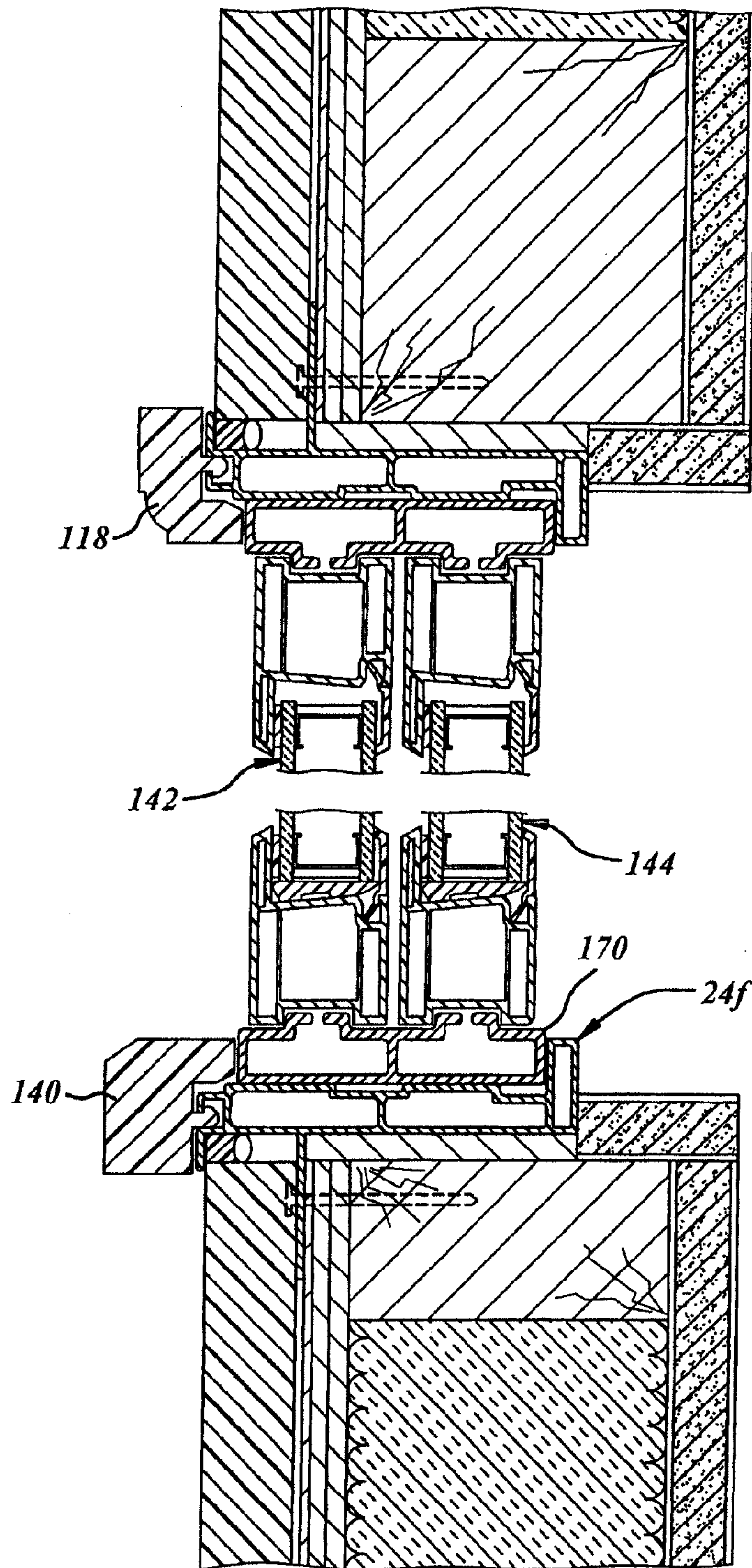


**FIG. 24**





**FIG. 27**



**FIG. 28**

