



- (51) International Patent Classification:
G02B 27/16 (2006.01)
- (21) International Application Number:
PCT/US2012/027062
- (22) International Filing Date:
29 February 2012 (29.02.2012)
- (25) Filing Language: English
- (26) Publication Language: English
- (30) Priority Data:
PCT/US2012/025880
21 February 2012 (21.02.2012) US
- (71) Applicant (for all designated States except US): **E-VISION SMART OPTICS, INC.** [US/US]; 5241 Valley-Park Drive, Roanoke, Virginia 24019 (US).
- (72) Inventor; and
(71) Applicant : **VAN HEUGTEN, Anthony** [US/US]; 4107 72nd Ave. East, Sarasota, FL 34243 (US).
- (72) Inventor; and
(75) Inventor/Applicant (for US only): **DUSTON, Dwight** [US/US]; 59 Fairlane, Laguna Niguel, CA 92677 (US).
- (74) Agent: **HAYNES, Michael**; 1341 Huntersfield Close, Keswick, VA 22947 (US).
- (81) Designated States (unless otherwise indicated, for every kind of national protection available): AE, AG, AL, AM, AO, AT, AU, AZ, BA, BB, BG, BH, BR, BW, BY, BZ,

CA, CH, CL, CN, CO, CR, CU, CZ, DE, DK, DM, DO, DZ, EC, EE, EG, ES, FI, GB, GD, GE, GH, GM, GT, HN, HR, HU, ID, IL, IN, IS, JP, KE, KG, KM, KN, KP, KR, KZ, LA, LC, LK, LR, LS, LT, LU, LY, MA, MD, ME, MG, MK, MN, MW, MX, MY, MZ, NA, NG, NI, NO, NZ, OM, PE, PG, PH, PL, PT, QA, RO, RS, RU, RW, SC, SD, SE, SG, SK, SL, SM, ST, SV, SY, TH, TJ, TM, TN, TR, TT, TZ, UA, UG, US, UZ, VC, VN, ZA, ZM, ZW.

(84) Designated States (unless otherwise indicated, for every kind of regional protection available): ARIPO (BW, GH, GM, KE, LR, LS, MW, MZ, NA, RW, SD, SL, SZ, TZ, UG, ZM, ZW), Eurasian (AM, AZ, BY, KG, KZ, MD, RU, TJ, TM), European (AL, AT, BE, BG, CH, CY, CZ, DE, DK, EE, ES, FI, FR, GB, GR, HR, HU, IE, IS, IT, LT, LU, LV, MC, MK, MT, NL, NO, PL, PT, RO, RS, SE, SI, SK, SM, TR), OAPI (BF, BJ, CF, CG, CI, CM, GA, GN, GQ, GW, ML, MR, NE, SN, TD, TG).

Declarations under Rule 4.17:

- as to the identity of the inventor (Rule 4.17(i))
- as to the applicant's entitlement to claim the priority of the earlier application (Rule 4.17(iii))

Published:

- with international search report (Art. 21(3))

(88) Date of publication of the international search report:

24 April 2014

(54) Title: SYSTEMS, DEVICES, AND/OR METHODS FOR MANAGING ABERRATIONS

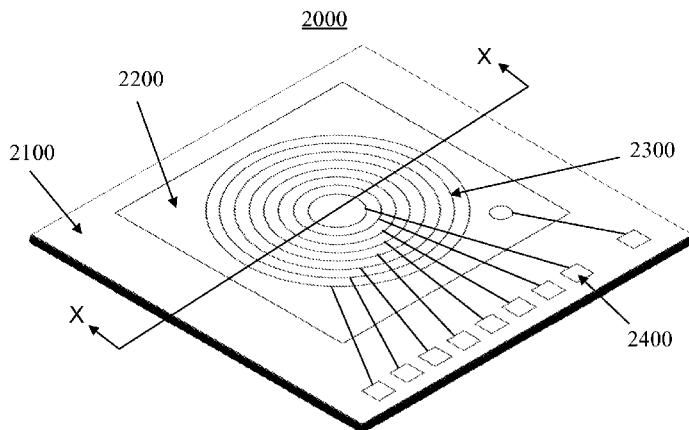


FIG. 2

(57) Abstract: Certain exemplary embodiments can provide a system, machine, device, manufacture, circuit, composition of matter, and/or user interface adapted for and/or resulting from, and/or a method and/or machine-readable medium comprising machine-implementable instructions for, activities that can comprise and/or relate to, automatically tuning one or more variable-focus tunable lenses sufficiently to substantially reduce one or more higher order optical wavefront aberrations of an optical system.

WO 2013/126080 A3

INTERNATIONAL SEARCH REPORT

0127027062-2006-2012
International application No.

PCT/US2012/027062

A. CLASSIFICATION OF SUBJECT MATTER IPC(8) - G02B 27/16 (2012.01) USPC - 359/637 According to International Patent Classification (IPC) or to both national classification and IPC		
B. FIELDS SEARCHED Minimum documentation searched (classification system followed by classification symbols) IPC(8) - G02B 13/18, 26/00, 26/06, 27/16 (2012.01) USPC - 359/16, 19, 637 Documentation searched other than minimum documentation to the extent that such documents are included in the fields searched Electronic data base consulted during the international search (name of data base and, where practicable, search terms used) Patbase, Google Patent, Google Scholar		
C. DOCUMENTS CONSIDERED TO BE RELEVANT		
Category*	Citation of document, with indication, where appropriate, of the relevant passages	Relevant to claim No.
X ---	US 6,771,422 B1 (CLARK) 03 August 2004 (03.08.2004) entire document	1-3, 5-17, 19-24, 26, 27 ---
Y		4, 18, 25
Y	US 2010/0039532 A1 (GALSTIAN et al) 18 February 2010 (18.02.2010) entire document	4
Y	US 5,796,510 A (YAO) 18 August 1998 (18.08.1998) entire document	18, 25
A	US 2008/0007693 A1 (WILLIAMS et al) 10 January 2008 (10.01.2008) Abstract, para 0045-0049, 0055, 0065, fig 1	1-27
<input type="checkbox"/> Further documents are listed in the continuation of Box C. <input type="checkbox"/>		
* Special categories of cited documents: "A" document defining the general state of the art which is not considered to be of particular relevance "E" earlier application or patent but published on or after the international filing date "L" document which may throw doubts on priority claim(s) or which is cited to establish the publication date of another citation or other special reason (as specified) "O" document referring to an oral disclosure, use, exhibition or other means "P" document published prior to the international filing date but later than the priority date claimed "T" later document published after the international filing date or priority date and not in conflict with the application but cited to understand the principle or theory underlying the invention "X" document of particular relevance; the claimed invention cannot be considered novel or cannot be considered to involve an inventive step when the document is taken alone "Y" document of particular relevance; the claimed invention cannot be considered to involve an inventive step when the document is combined with one or more other such documents, such combination being obvious to a person skilled in the art "&" document member of the same patent family		
Date of the actual completion of the international search 13 June 2012		Date of mailing of the international search report 20 JUN 2012
Name and mailing address of the ISA/US Mail Stop PCT, Attn: ISA/US, Commissioner for Patents P.O. Box 1450, Alexandria, Virginia 22313-1450 Facsimile No. 571-273-3201		Authorized officer: Blaine R. Copenheaver PCT Helpdesk: 571-272-4300 PCT OSP: 571-272-7774