



US00D797481S

(12) **United States Design Patent** (10) **Patent No.:** **US D797,481 S**  
**Pos** (45) **Date of Patent:** **\*\* \*Sep. 19, 2017**

(54) **BASE FOR A SAFETY CHILD SEAT**

(56) **References Cited**

(71) Applicant: **CYBEX GMBH**, Bayreuth (DE)

U.S. PATENT DOCUMENTS

(72) Inventor: **Martin Pos**, Bayreuth (DE)

D376,919	S	*	12/1996	Sedlack	.....	D6/333
D535,125	S	*	1/2007	Batchelor	.....	D6/708.19
D650,597	S	*	12/2011	Lehman	.....	D6/333
D687,231	S	*	8/2013	Gillett	.....	D6/333
D692,678	S	*	11/2013	Williams	.....	D6/333
D698,558	S	*	2/2014	Williams	.....	D6/333
9,227,537	B2	*	1/2016	Cheng	.....	B60N 2/2821
2014/0327281	A1	*	11/2014	Hou	.....	B60N 2/2821
						297/217.1
2015/0091343	A1	*	4/2015	Cheng	.....	B60N 2/2821
						297/216.11
2016/0059746	A1	*	3/2016	Finnestad	.....	B60N 2/2866
						297/256.11

(\* ) Notice: This patent is subject to a terminal disclaimer.

(\*\*) Term: **15 Years**

(21) Appl. No.: **35/500,100**

(22) Filed: **May 15, 2015**

(80) **Hague Agreement Data**

Int. Filing Date: **May 15, 2015**  
Int. Reg. No.: **DM/087158**  
Int. Reg. Date: **May 15, 2015**  
Int. Reg. Pub. Date: **Aug. 21, 2015**

\* cited by examiner

*Primary Examiner* — Mary Ann Calabrese

(57) **CLAIM**

The ornamental design for base for a safety child seat, as shown and described.

(51) **LOC (10) Cl.** ..... **06-01**

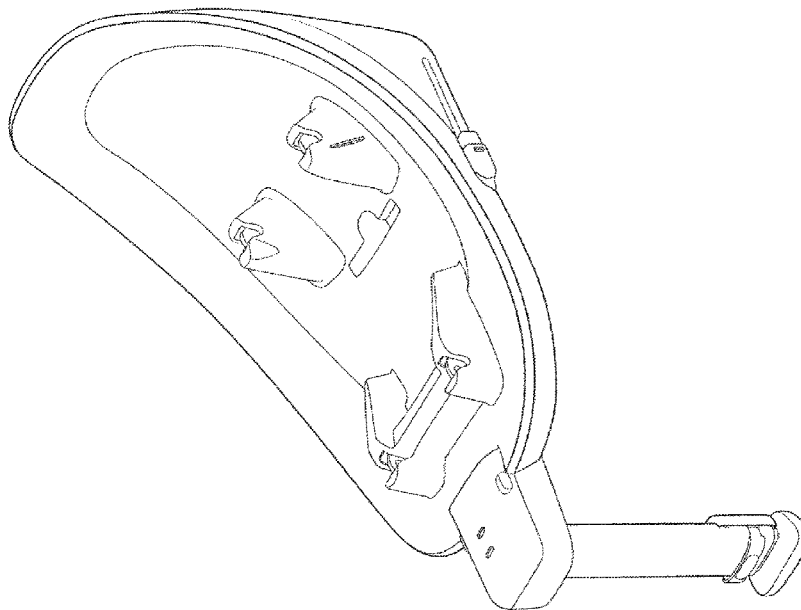
**DESCRIPTION**

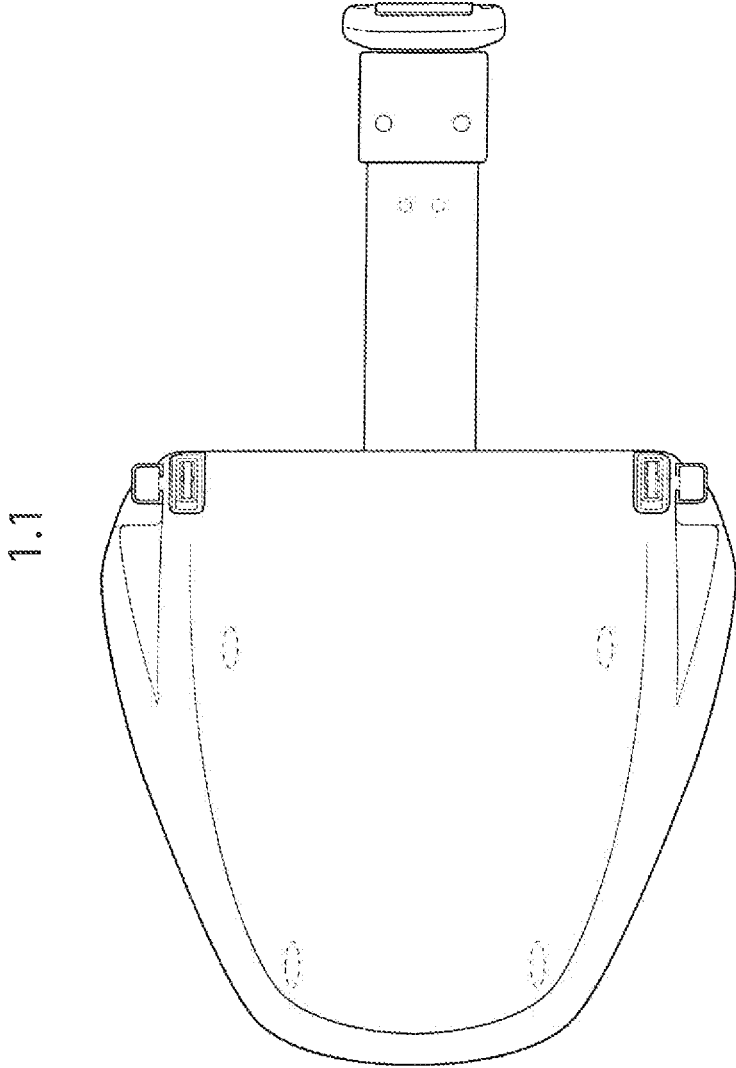
(52) **U.S. Cl.**  
USPC ..... **D6/708.19**

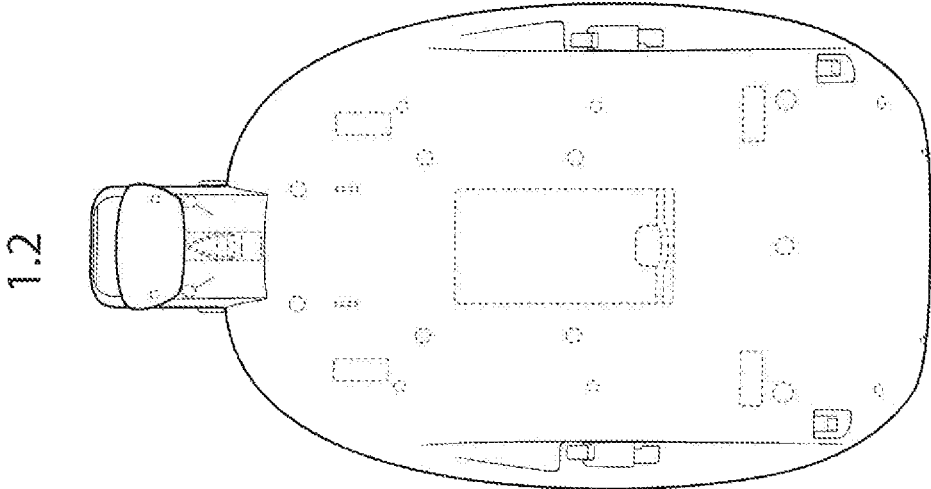
(58) **Field of Classification Search**  
USPC ..... D6/333, 334, 356, 364-366, 372-375,  
D6/708.19, 716, 716.1, 716.19, 716.2,  
D6/716.4  
CPC .... A47C 1/12; A47C 1/14; A47C 1/16; A47C  
3/16; A47C 4/02; A47C 4/03; A47C 5/12;  
A47C 7/00; A47C 7/02; A47C 7/021;  
A47C 7/022; A47C 7/16; A47C 7/40;  
B60N 2/26; B60N 2/28; B60N 2/2803;  
B60N 2/2821; B60N 2/2884; B60N 2/30  
See application file for complete search history.

1. Base for a safety child seat  
**1.1** is a rear view.  
**1.2** is a bottom view.  
**1.3** is a front view.  
**1.4** is a right side view.  
**1.5** is a perspective view.  
**1.6** is a left side view.  
**1.7** is a top view.  
In the drawings, the broken lines represent portions of the base for a safety child seat that form no part of the claimed design.  
Base for a child seat to be mounted on the rear seat of a car.

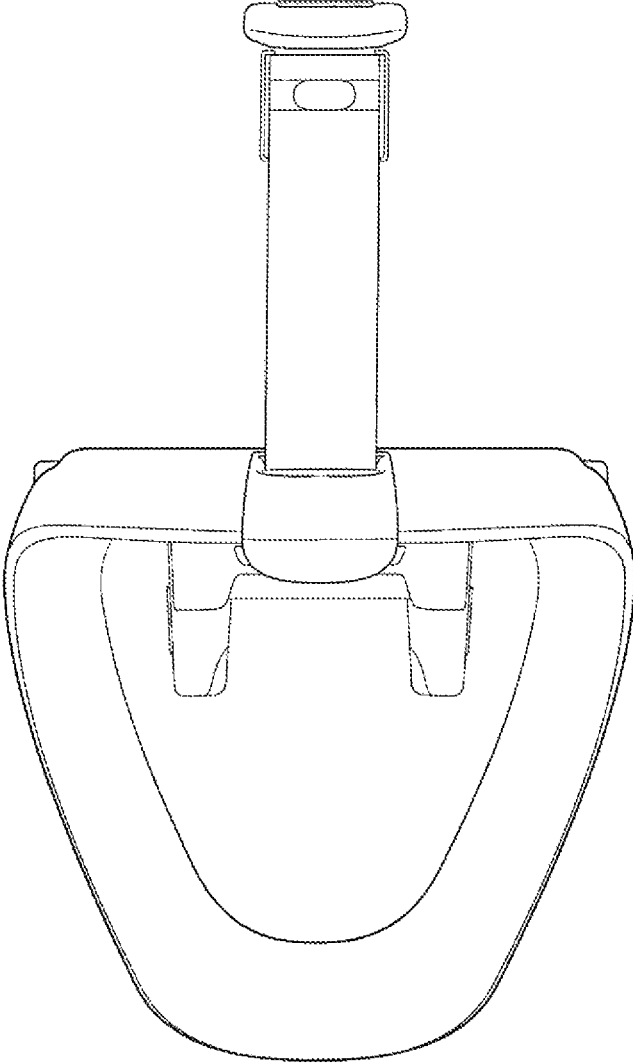
**1 Claim, 7 Drawing Sheets**







1.3



1.4

