



US00D528862S

(12) **United States Design Patent**
Li

(10) **Patent No.:** **US D528,862 S**

(45) **Date of Patent:** **** Sep. 26, 2006**

(54) **BEVERAGE BOTTLE**

(75) Inventor: **Jack K. Y. Li**, Hong Kong (HK)

(73) Assignee: **CDI International, Inc.**, West Chester, PA (US)

(**) Term: **14 Years**

(21) Appl. No.: **29/216,773**

(22) Filed: **Nov. 9, 2004**

(51) **LOC (8) Cl.** **07-01**

(52) **U.S. Cl.** **D7/510; D7/511; D7/523**

(58) **Field of Classification Search** D7/510,
D7/511, 509, 523; D9/503, 502, 539, 530,
D9/549, 689, 504, 446, 445; 220/212, 729,
220/705, 703, 708, 712, 711; 215/395, 388,
215/12.1

See application file for complete search history.

(56) **References Cited**

U.S. PATENT DOCUMENTS

D233,116 S	*	10/1974	Swett	D7/300.1
D391,448 S	*	3/1998	Winer et al.	D7/510
D408,221 S	*	4/1999	Asberg	D7/511
D426,773 S	*	6/2000	Warner et al.	D9/503
D436,041 S	*	1/2001	Bang	D9/503
D467,179 S	*	12/2002	Nelson et al.	D9/503
D478,779 S	*	8/2003	Stamper et al.	D7/510
D480,267 S	*	10/2003	Freed et al.	D7/510

D480,305 S	*	10/2003	Nusbaum et al.	D9/447
D486,966 S	*	2/2004	Steendyk	D6/349
D501,792 S	*	2/2005	Priestman	D9/500
D501,794 S	*	2/2005	Kunesh et al.	D9/521
D502,844 S	*	3/2005	Rohe	D7/510
D512,874 S	*	12/2005	Poulson et al.	D7/510
D515,357 S	*	2/2006	Ward et al.	D7/510
D517,864 S	*	3/2006	Yu	D7/510

FOREIGN PATENT DOCUMENTS

HK 0410295.OM003 2/2004

* cited by examiner

Primary Examiner—M. N. Pandozzi

(74) *Attorney, Agent, or Firm*—Cook, Alex, McFarron, Manzo, Cummings & Mehler, Ltd.

(57) **CLAIM**

The ornamental design for a beverage bottle, as shown and described.

DESCRIPTION

FIG. 1 is a perspective side and top view of one side of the beverage bottle of the present invention.

FIG. 2 front view thereof;

FIG. 3 is a left side view thereof;

FIG. 4 is a rear view thereof;

FIG. 5 is a top view of the container of FIG. 1; and,

FIG. 6 is a bottom view of the container of FIG. 1.

1 Claim, 3 Drawing Sheets

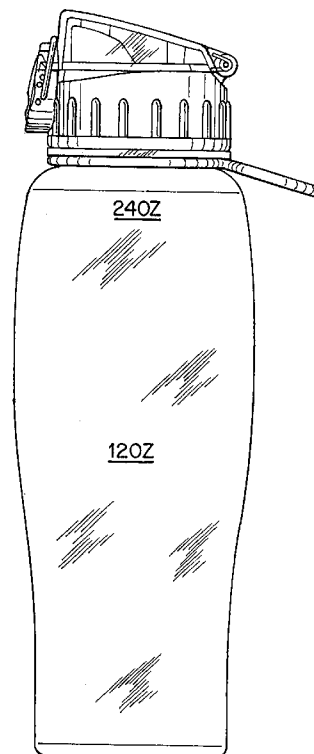
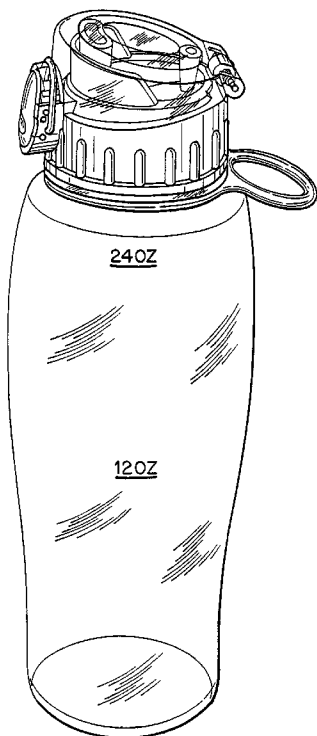


FIG. 1

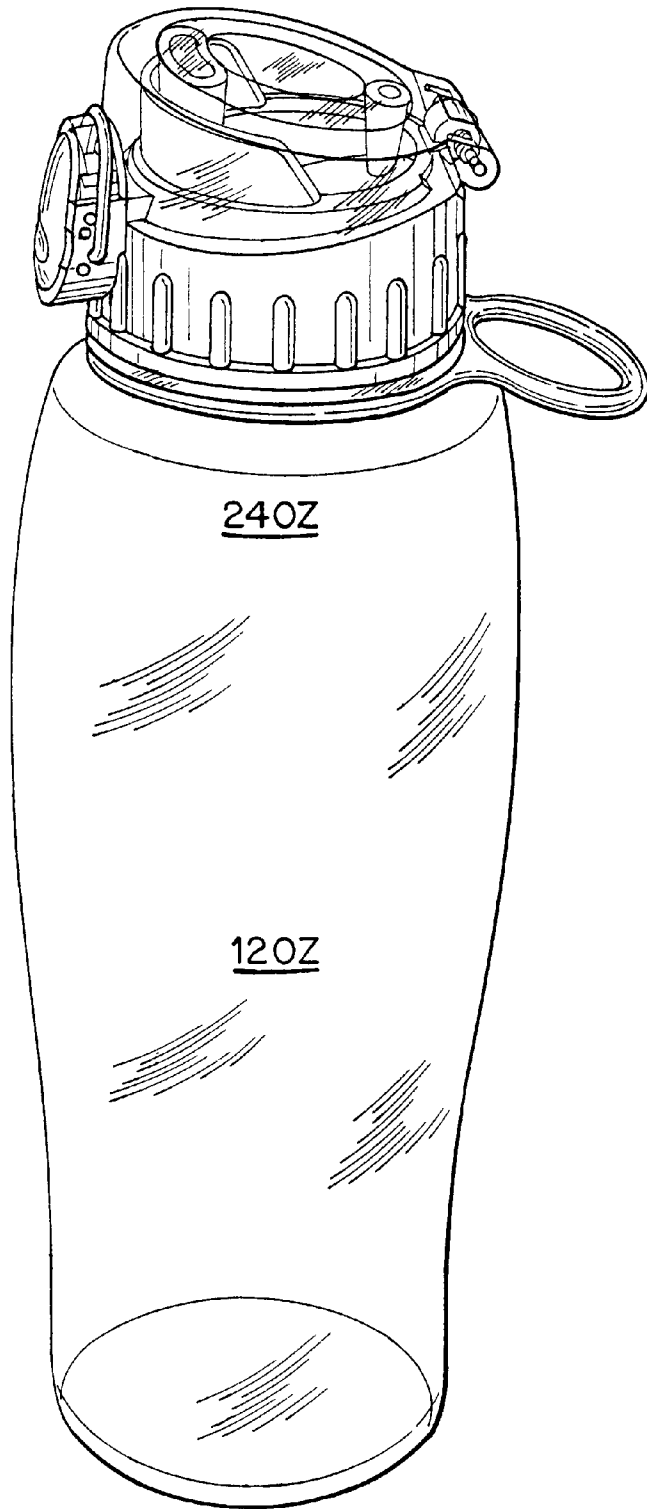


FIG. 2

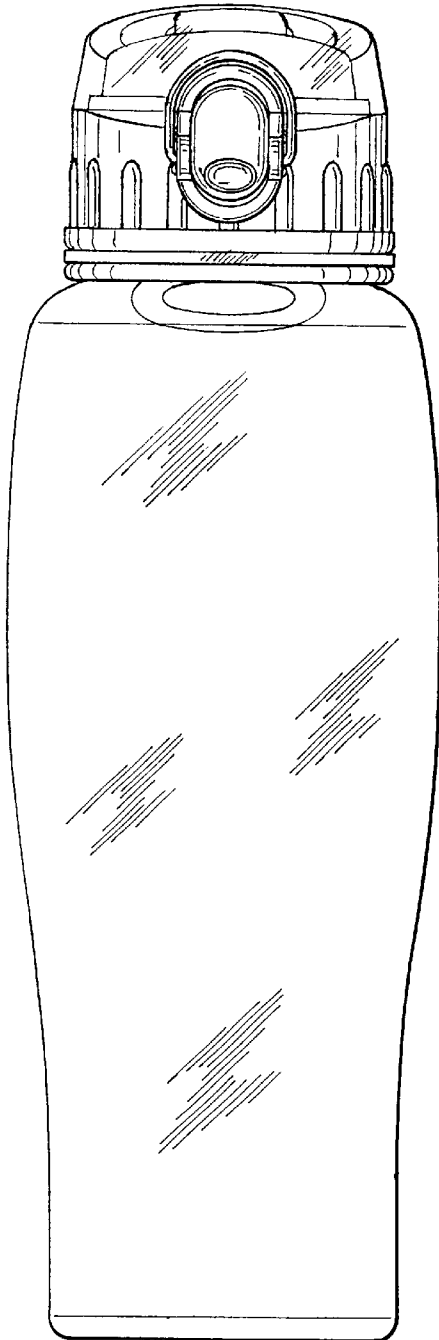


FIG. 3

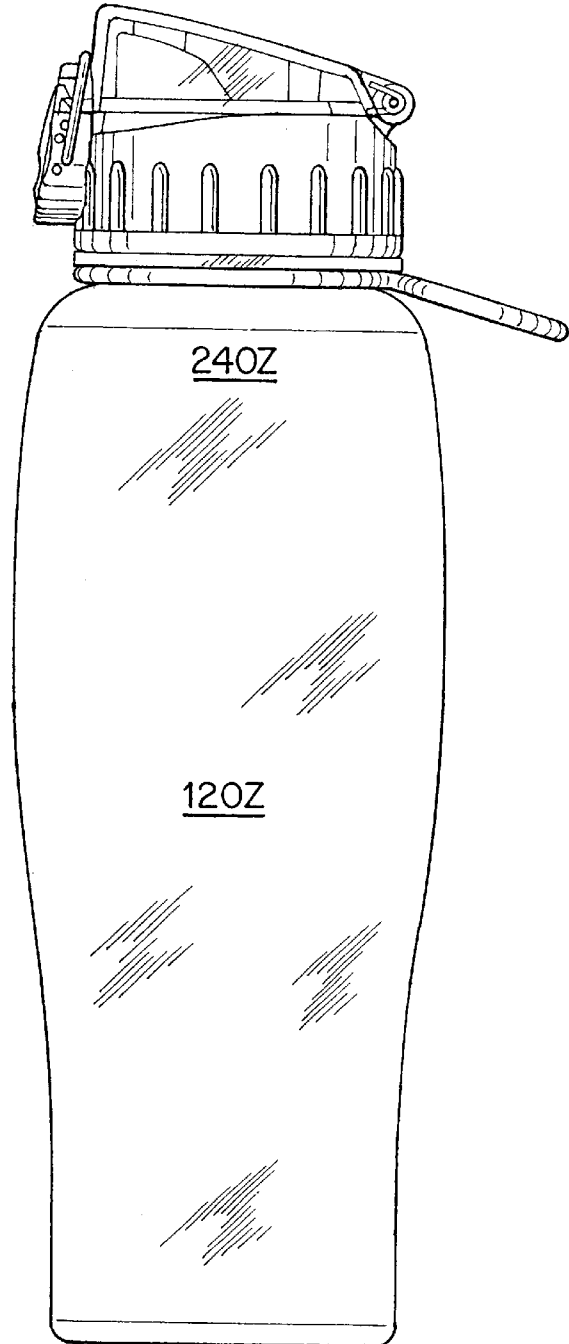


FIG.4

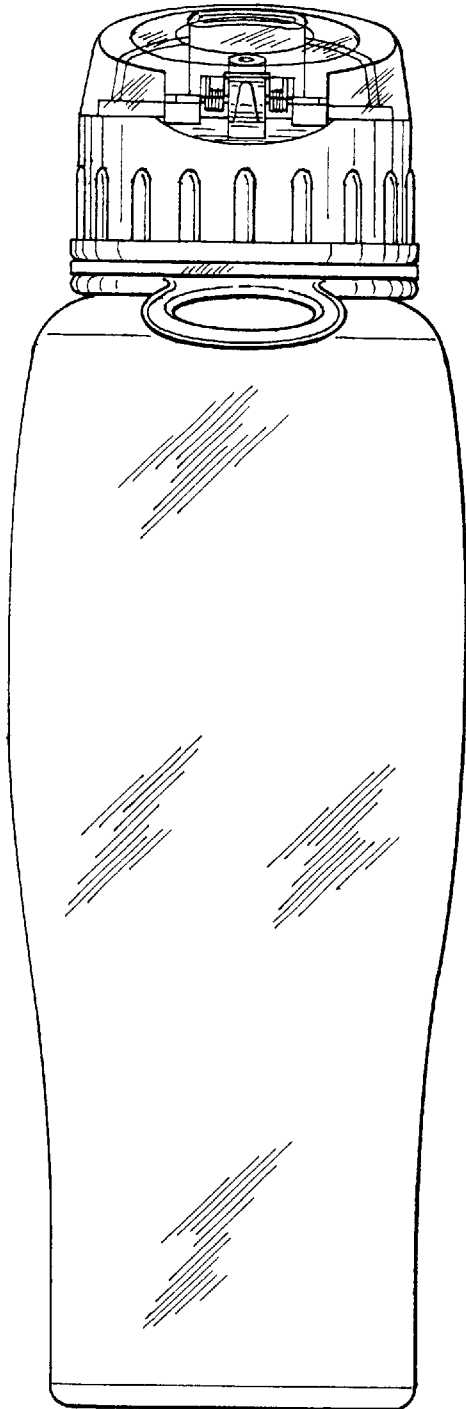


FIG.5

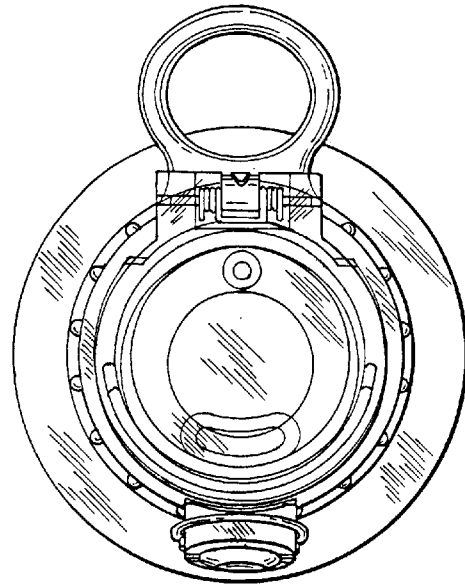


FIG.6

