



- (51) International Patent Classification:
G06F 1/32 (2006.01) *G06F 15/76* (2006.01)
- (21) International Application Number:
PCT/US2011/064556
- (22) International Filing Date:
13 December 2011 (13.12.2011)
- (25) Filing Language: English
- (26) Publication Language: English
- (30) Priority Data:
12/975,458 22 December 2010 (22.12.2010) US
- (71) Applicant (for all designated States except US): **INTEL CORPORATION** [US/US]; 2200 Mission College Boulevard, Santa Clara, California 95052 (US).
- (72) Inventors; and
- (75) Inventors/Applicants (for US only): **MACIOCCO, Christian** [US/US]; 3625 SW Chapin Drive, Portland, Oregon 97229 (US). **WANG, Ren** [US/US]; 15120 SW Hazelcrest Way, Portland, Oregon 97224 (US). **TAI, Tsung-Yuan C.** [US/US]; 12709 NW Majestic Sequoia Way, Portland, Oregon 97229 (US).

- (74) Agents: **VINCENT, Lester J.** et al.; Blakely Sokoloff Taylor & Zafman, 1279 Oakmead Parkway, Sunnyvale, California 94085 (US).
- (81) Designated States (unless otherwise indicated, for every kind of national protection available): AE, AG, AL, AM, AO, AT, AU, AZ, BA, BB, BG, BH, BR, BW, BY, BZ, CA, CH, CL, CN, CO, CR, CU, CZ, DE, DK, DM, DO, DZ, EC, EE, EG, ES, FI, GB, GD, GE, GH, GM, GT, HN, HR, HU, ID, IL, IN, IS, JP, KE, KG, KM, KN, KP, KR, KZ, LA, LC, LK, LR, LS, LT, LU, LY, MA, MD, ME, MG, MK, MN, MW, MX, MY, MZ, NA, NG, NI, NO, NZ, OM, PE, PG, PH, PL, PT, QA, RO, RS, RU, RW, SC, SD, SE, SG, SK, SL, SM, ST, SV, SY, TH, TJ, TM, TN, TR, TT, TZ, UA, UG, US, UZ, VC, VN, ZA, ZM, ZW.
- (84) Designated States (unless otherwise indicated, for every kind of regional protection available): ARIPO (BW, GH, GM, KE, LR, LS, MW, MZ, NA, RW, SD, SL, SZ, TZ, UG, ZM, ZW), Eurasian (AM, AZ, BY, KG, KZ, MD, RU, TJ, TM), European (AL, AT, BE, BG, CH, CY, CZ, DE, DK, EE, ES, FI, FR, GB, GR, HR, HU, IE, IS, IT, LT, LU, LV, MC, MK, MT, NL, NO, PL, PT, RO, RS, SE, SI, SK, SM, TR), OAPI (BF, BJ, CF, CG, CI, CM, GA, GN, GQ, GW, ML, MR, NE, SN, TD, TG).

[Continued on next page]

(54) Title: COMPUTING PLATFORM WITH ADAPTIVE CACHE FLUSH

(57) Abstract: In some embodiments, an adaptive break-even time, based on the load level of the cache, may be employed.

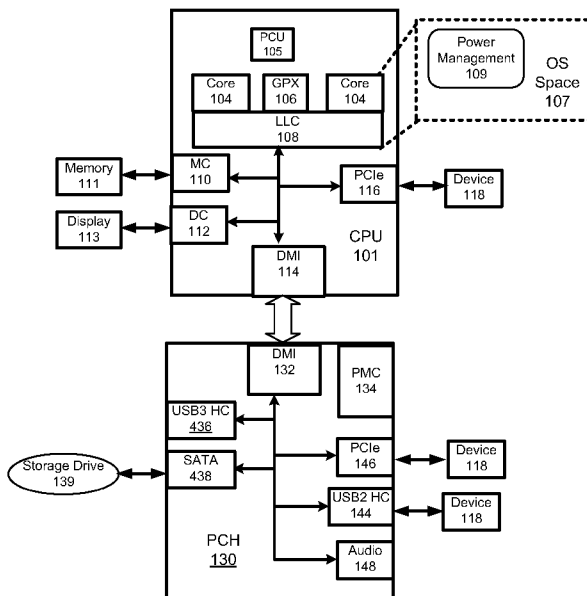


FIG. 1

WO 2012/087655 A3



Published:

(88) Date of publication of the international search report:

16 August 2012

- *with international search report (Art. 21(3))*
- *before the expiration of the time limit for amending the claims and to be republished in the event of receipt of amendments (Rule 48.2(h))*

A. CLASSIFICATION OF SUBJECT MATTER**G06F 1/32(2006.01)i, G06F 15/76(2006.01)i**

According to International Patent Classification (IPC) or to both national classification and IPC

B. FIELDS SEARCHED

Minimum documentation searched (classification system followed by classification symbols)

G06F 1/32; G06F 1/26; G06F 12/00; G06F 13/28; G06F 13/00; G06F 12/08

Documentation searched other than minimum documentation to the extent that such documents are included in the fields searched

Korean utility models and applications for utility models

Japanese utility models and applications for utility models

Electronic data base consulted during the international search (name of data base and, where practicable, search terms used)

eKOMPASS(KIPO internal) & Keywords: cache, flush, idle time, load, power

C. DOCUMENTS CONSIDERED TO BE RELEVANT

Category*	Citation of document, with indication, where appropriate, of the relevant passages	Relevant to claim No.
A	US 2006-0095806 A1 (XIA DAI et al.) 04 May 2006 See the abstract, para.[0027]-[0028], claim 1, and fig.3.	1-20
A	US 2007-0156992 A1 (JAHAGIRDAR, SANJEEV) 05 July 2007 See para.[0031].	1-20
A	US 2010-0011168 A1 (RYU IN-SIK et al.) 14 January 2010 See the abstract, para.[0064] and fig.4.	1-20
A	US 7752474 B2 (KELLER JAMES B. et al.) 06 July 2010 See the abstract, col.9 line 61 - col.10 line 21, and fig.5.	1-20
PX	US 2011-0113202 A1 (BRANOVER ALEXANDER et al.) 12 May 2011 See the abstract, para.[0043]-[0045],[0051], claims 1,5 and fig.4C.	1,10,18

 Further documents are listed in the continuation of Box C. See patent family annex.

* Special categories of cited documents:

"A" document defining the general state of the art which is not considered to be of particular relevance

"E" earlier application or patent but published on or after the international filing date

"L" document which may throw doubts on priority claim(s) or which is cited to establish the publication date of citation or other special reason (as specified)

"O" document referring to an oral disclosure, use, exhibition or other means

"P" document published prior to the international filing date but later than the priority date claimed

"T" later document published after the international filing date or priority date and not in conflict with the application but cited to understand the principle or theory underlying the invention

"X" document of particular relevance; the claimed invention cannot be considered novel or cannot be considered to involve an inventive step when the document is taken alone

"Y" document of particular relevance; the claimed invention cannot be considered to involve an inventive step when the document is combined with one or more other such documents, such combination being obvious to a person skilled in the art

"&" document member of the same patent family

Date of the actual completion of the international search

28 JUNE 2012 (28.06.2012)

Date of mailing of the international search report

28 JUNE 2012 (28.06.2012)

Name and mailing address of the ISA/KR

Korean Intellectual Property Office
189 Cheongsu-ro, Seo-gu, Daejeon Metropolitan
City, 302-701, Republic of Korea

Facsimile No. 82-42-472-7140

Authorized officer

Park Ji Eun

Telephone No. 82-42-481-5696



INTERNATIONAL SEARCH REPORT

Information on patent family members

International application No.

PCT/US2011/064556

Patent document cited in search report	Publication date	Patent family member(s)	Publication date
US 2006-0095806 A1	04.05.2006	AU 2002-351403 A1	09.07.2003
		CN 1618053 A	18.05.2005
		CN 1618053 C0	14.05.2008
		EP 1483650 A2	08.12.2004
		KR 10-0750035 B1	16.08.2007
		TW 279669 A	21.04.2007
		TW 279669 B	21.04.2007
		TW 1279669 B	21.04.2007
		US 2003-0120962 A1	26.06.2003
		US 6976181 B2	13.12.2005
		US 7225347 B2	29.05.2007
		WO 03-054675 A2	03.07.2003
		WO 03-054675 A3	03.07.2003
		US 2007-0156992 A1	05.07.2007
DE 112006002835 T5	13.11.2008		
JP 2009-514114 A	02.04.2009		
JP 2009-514114 T	02.04.2009		
KR 10-2008-0080586 A	04.09.2008		
TW 200809493 A	16.02.2008		
TW 1336437 A	21.01.2011		
WO 2007-078724 A2	12.07.2007		
WO 2007-078724 A3	01.11.2007		
US 2010-0011168 A1	14.01.2010		
		KR 10-2010-0007258 A	22.01.2010
US 7752474 B2	06.07.2010	US 2008-0077813 A1	27.03.2008
		US 2010-0235670 A1	16.09.2010
		US 8171326 B2	01.05.2012
US 2011-0113202 A1	12.05.2011	US 2011-0112798 A1	12.05.2011
		WO 2011-057059 A1	12.05.2011