



US00D770313S

(12) **United States Design Patent**
Turcotte

(10) **Patent No.:** **US D770,313 S**

(45) **Date of Patent:** **** Nov. 1, 2016**

(54) **FIRE PUMP DIGITAL OPERATOR
INTERFACE**

(71) Applicant: **TORNATECH INC.**, Montreal (CA)

(72) Inventor: **Charles-Félix Turcotte**, Rosemère
(CA)

(73) Assignee: **TORNATECH INC.**, Montreal (CA)

(**) Term: **15 Years**

(21) Appl. No.: **29/532,718**

(22) Filed: **Jul. 9, 2015**

(51) **LOC (10) Cl.** **10-04**

(52) **U.S. Cl.**
USPC **D10/49; D10/52; D10/78**

(58) **Field of Classification Search**
USPC D10/49, 50, 52, 53, 78; D13/162, 162.1
CPC A62C 37/36; A62C 37/38; A62C 37/40;
A62C 37/42; A62C 37/44; A62C 37/46;
A62C 37/48; A62C 37/50; A62C 25/00;
F04B 17/05; F04B 17/06; F04B 49/065;
F04B 49/10; F04B 53/16; Y10T 137/0379;
Y10T 307/779

See application file for complete search history.

(56) **References Cited**

U.S. PATENT DOCUMENTS

D366,220 S *	1/1996	Sakamoto	D10/65
D726,047 S *	4/2015	Laurino	D10/78
9,004,117 B2 *	4/2015	Stansbury	F04B 35/06
				141/198
9,004,886 B2 *	4/2015	Beck	F04B 43/0081
				417/423.14

* cited by examiner

Primary Examiner — Antoine D Davis

(74) *Attorney, Agent, or Firm* — Gonzalo Lavin

(57) **CLAIM**

The ornamental design for an “fire pump digital operator interface”, as shown and described.

DESCRIPTION

FIG. 1 is a perspective view of a fire pump digital operator interface;

FIG. 2 is a front view thereof;

FIG. 3 is a top plan view thereof;

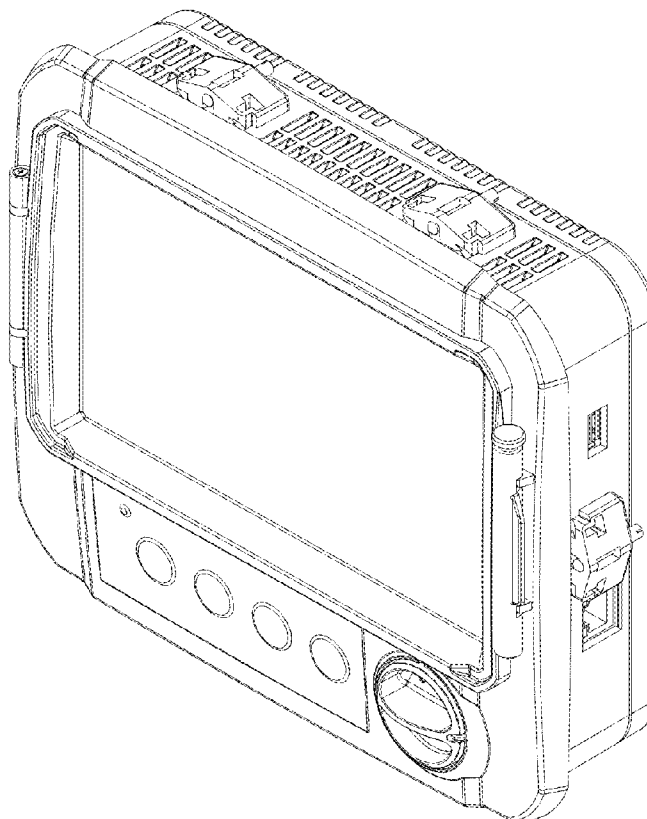
FIG. 4 is a right side view thereof;

FIG. 5 is a left side view thereof;

FIG. 6 is a bottom view thereof; and,

FIG. 7 is a back view thereof.

1 Claim, 4 Drawing Sheets



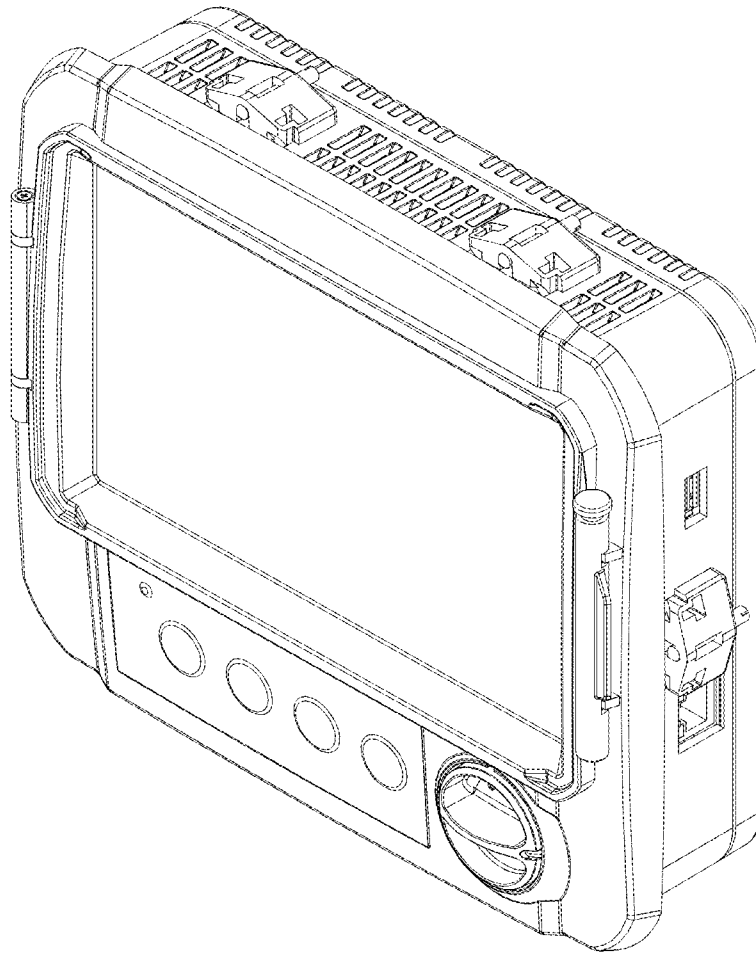


FIG. 1

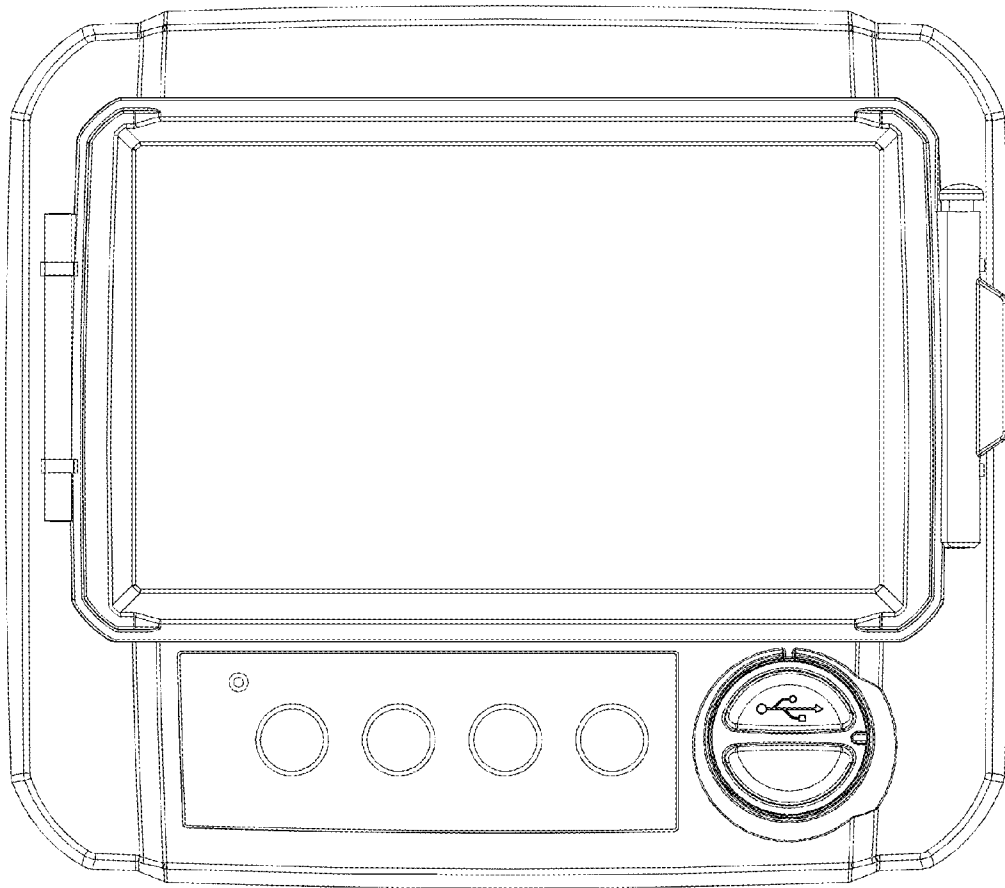


FIG. 2

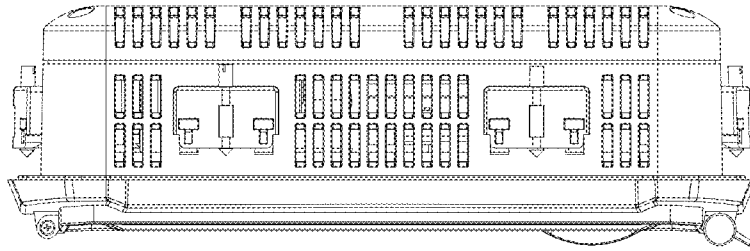


FIG. 3

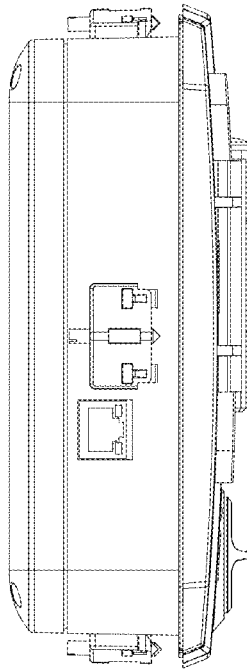


FIG. 4

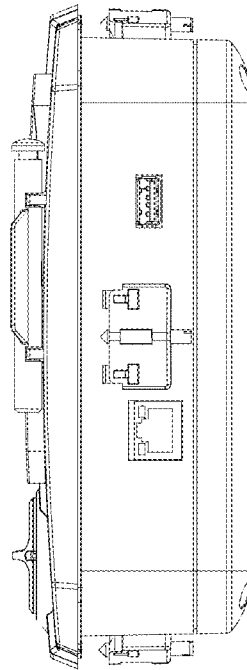


FIG. 5

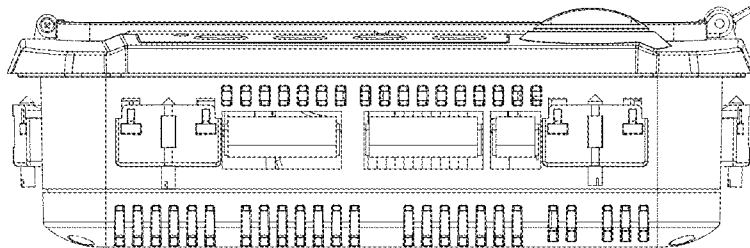


FIG. 6

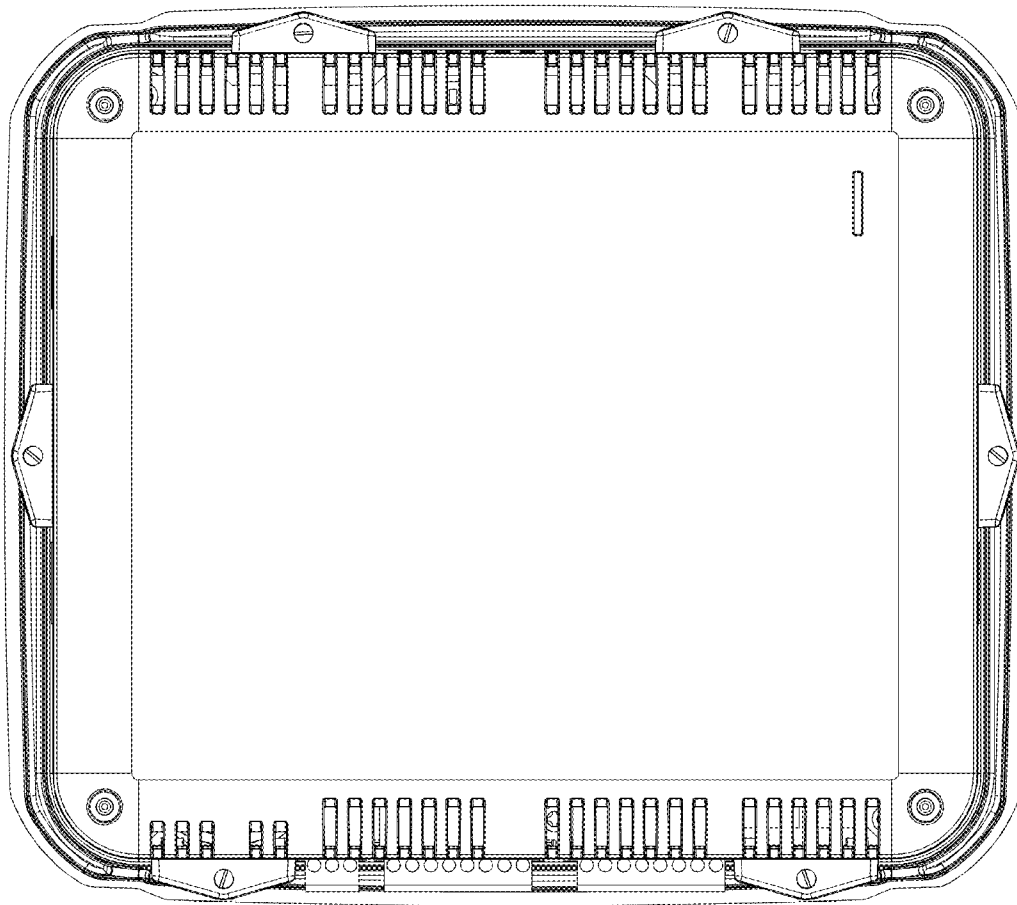


FIG. 7