



US00D741024S

(12) **United States Design Patent**
Liu

(10) **Patent No.:** **US D741,024 S**

(45) **Date of Patent:** **** Oct. 13, 2015**

(54) **PET BOWL**

(71) Applicant: **Sheng-Yu Liu**, Taipei (TW)

(72) Inventor: **Sheng-Yu Liu**, Taipei (TW)

(**) Term: **14 Years**

(21) Appl. No.: **29/502,616**

(22) Filed: **Sep. 18, 2014**

(51) **LOC (10) Cl.** **30-03**

(52) **U.S. Cl.**
USPC **D30/129**

(58) **Field of Classification Search**

USPC D30/121, 122, 129-133; 119/61.5,
119/51.01, 61.56, 51.03, 59, 62, 63, 51.5,
119/57.8, 74, 61.54, 61.55; 312/204;
248/151, 188; 108/153.1-157;
220/23.87, 630, 737, 743, 9.4, 495.01,
220/574, 212, 255, 23.83; 206/515;
D7/586, 543, 550.1, 587, 505, 584,
D7/545, 500, 553.1-553.8, 546, 555, 556,
D7/504, 565, 562, 602; D9/429; 43/109;
D22/122; 99/430, DIG. 15
CPC A01K 5/0114; A01K 5/01; A01K 5/0135;
A01K 7/005; A01K 7/00; A01K 7/02; A01K
5/0142; A01K 5/0121; A01K 5/0128; A01K
27/004; A01K 39/014; A01K 39/00; A01K
39/02; A01K 39/0113; A47J 43/0727; A01M
29/34; B29C 65/48; B65D 81/36
See application file for complete search history.

(56) **References Cited**

U.S. PATENT DOCUMENTS

D67,712 S * 6/1925 Melville D2/967
D194,784 S * 3/1963 Van Voorhis D30/129
D197,574 S * 2/1964 Gulotta D7/545
D207,442 S * 4/1967 Facci D2/616
D221,099 S * 7/1971 Alparone D7/584
3,838,772 A * 10/1974 Lang et al. 206/520

4,127,189 A * 11/1978 Shumrak et al. 206/520
D270,672 S * 9/1983 Zelinger D30/130
D302,754 S * 8/1989 Fuller D30/129
D304,536 S * 11/1989 Blaser D7/584
D314,253 S * 1/1991 Goetz D30/129
5,031,575 A * 7/1991 Phillips 119/61.53
5,169,023 A * 12/1992 Heiberg et al. 220/574
D336,446 S * 6/1993 Browning D11/126
D347,658 S * 6/1994 Scapillato D20/29
5,392,948 A * 2/1995 McEntee 220/669
D357,588 S * 4/1995 Fachinger D6/304
5,419,454 A * 5/1995 Stowell et al. 220/574
5,423,452 A * 6/1995 Tardif 220/574
D360,304 S * 7/1995 Fachinger D6/304
D361,874 S * 8/1995 Keller et al. D30/129
D370,146 S * 5/1996 Petronio D6/534
D391,363 S * 2/1998 Rohrig D24/194
D394,229 S * 5/1998 Curry D11/126
D397,740 S * 9/1998 Georgevich D21/400
D399,029 S * 9/1998 Falcone et al. D30/130
D405,561 S * 2/1999 Willinger et al. D30/129
D427,743 S * 7/2000 Macias D1/107
6,112,698 A * 9/2000 Zelinger 119/61.54
D435,160 S * 12/2000 Macias D1/107
D440,736 S * 4/2001 Stafford D1/107

(Continued)

Primary Examiner — Susan Moon Lee

(74) *Attorney, Agent, or Firm* — Whyte Hirschboeck Dudek S.C.

(57) **CLAIM**

The ornamental design for a “pet bowl,” as shown and described.

DESCRIPTION

FIG. 1 is a perspective view of a “pet bowl” showing my design;

FIG. 2 is a front elevational view thereof;

FIG. 3 is a rear elevational view thereof;

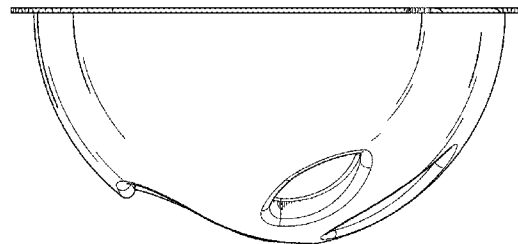
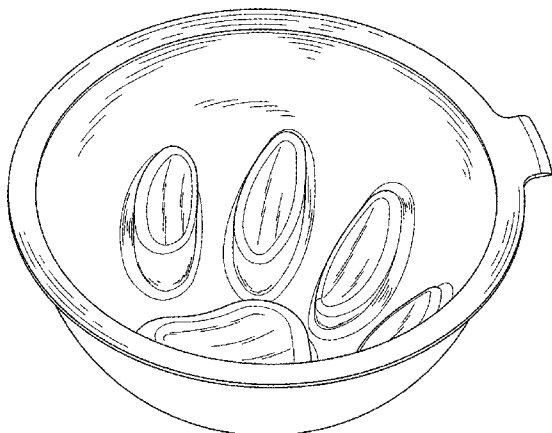
FIG. 4 is a left side elevational view thereof;

FIG. 5 is a right side elevational view thereof;

FIG. 6 is a top plan view thereof; and,

FIG. 7 is a bottom plan view thereof.

1 Claim, 7 Drawing Sheets



(56)

References Cited

U.S. PATENT DOCUMENTS

D445,518	S *	7/2001	Warden	D26/38	D654,245	S *	2/2012	School	D99/5
D447,074	S *	8/2001	Chan	D10/104.1	D656,280	S *	3/2012	St. Clair	D30/129
6,341,578	B1 *	1/2002	Berube	119/162	D659,547	S *	5/2012	Kerr et al.	D9/669
D454,234	S *	3/2002	Weterrings	D30/129	D665,000	S *	8/2012	Morelli et al.	D15/90
D457,705	S *	5/2002	Haslet et al.	D32/40	D665,133	S *	8/2012	Haverstock	D30/129
D457,989	S *	5/2002	O'Rourke	D30/158	D665,264	S *	8/2012	Kerr et al.	D9/607
6,431,389	B1 *	8/2002	Jerstroem et al.	220/574.3	D667,034	S *	9/2012	Wirth et al.	D15/140
6,460,191	B1 *	10/2002	Lorkovic	2/161.8	D673,002	S *	12/2012	Hollinger	D7/357
D466,655	S *	12/2002	Zelinger	D30/129	D676,202	S *	2/2013	Hansen	D30/199
D467,393	S *	12/2002	Warden	D30/155	D676,619	S *	2/2013	Hansen	D30/199
D473,769	S *	4/2003	Kelleghan	D8/38	D682,442	S *	5/2013	Nguyen	D24/224
D475,504	S *	6/2003	Hodgdon	D1/130	D682,482	S *	5/2013	Nelson	D30/129
D476,767	S *	7/2003	Warden	D26/38	D684,733	S *	6/2013	Altoon	D30/161
D496,137	S *	9/2004	Byrne	D30/160	D685,565	S *	7/2013	Bhandula	D99/1
6,834,616	B2 *	12/2004	Fort, II	119/57.8	D687,616	S *	8/2013	Smith et al.	D1/107
D504,223	S *	4/2005	Tamburri	D3/211	D689,328	S *	9/2013	Hollinger	D7/357
D506,585	S *	6/2005	Muller et al.	D32/32	D693,862	S *	11/2013	Wirth et al.	D15/140
D507,119	S *	7/2005	Reeves, Jr.	D6/304	D694,299	S *	11/2013	Wirth et al.	D15/140
D516,255	S *	2/2006	Maguire	D30/129	D697,686	S *	1/2014	Kerr et al.	D1/106
D520,677	S *	5/2006	Xu	D27/149	D697,687	S *	1/2014	Kerr et al.	D1/107
D531,364	S *	10/2006	Crane	D30/118	D697,691	S *	1/2014	Kerr et al.	D1/199
D532,979	S *	12/2006	Viola	D4/129	D697,692	S *	1/2014	Kerr et al.	D1/199
D533,975	S *	12/2006	Kelly et al.	D30/162	D701,004	S *	3/2014	Maguire	D30/129
7,207,291	B1 *	4/2007	Watts	119/61.5	D702,484	S *	4/2014	Endres et al.	D7/357
D553,305	S *	10/2007	Willinger et al.	D30/133	D710,112	S *	8/2014	Dunn	D4/125
D558,933	S *	1/2008	Hood et al.	D30/158	D715,675	S *	10/2014	Ma	D11/3
D560,862	S *	1/2008	Knuth et al.	D30/155	D725,317	S *	3/2015	Avalos Sartorio et al.	D30/129
D561,411	S *	2/2008	Pipenur et al.	D30/155	D725,836	S *	3/2015	Avalos Sartorio et al.	D30/129
D564,138	S *	3/2008	Dunn et al.	D30/129	D727,576	S *	4/2015	Avalos Sartorio et al.	D30/129
D571,929	S *	6/2008	Palmer, III	D25/2	D728,865	S *	5/2015	Tsengas	D30/129
D572,141	S *	7/2008	Slabaugh	D9/601	2002/0185073	A1 *	12/2002	Fullerton et al.	119/51.01
D574,282	S *	8/2008	Hill	D10/104.1	2003/0070956	A1 *	4/2003	Schiltz et al.	206/515
D581,830	S *	12/2008	Slabaugh	D11/127	2003/0185953	A1 *	10/2003	Bortone	426/516
D585,727	S *	2/2009	Kelleghan	D8/356	2004/0237901	A1 *	12/2004	Willinger et al.	119/61.54
D589,660	S *	3/2009	Tolentino-Swem	D30/199	2005/0235919	A1 *	10/2005	Willinger et al.	119/61.5
D591,162	S *	4/2009	Slabaugh	D9/607	2005/0284387	A1 *	12/2005	Zelinger	119/61.5
D591,478	S *	5/2009	Slusarczyk et al.	D1/107	2006/0005774	A1 *	1/2006	Newman Bornhofen	119/61.5
D591,914	S *	5/2009	Witham	D30/199	2006/0010913	A1 *	1/2006	Torres et al.	63/23
D598,613	S *	8/2009	Walston et al.	D30/146	2007/0034166	A1 *	2/2007	Brooks	119/867
D602,656	S *	10/2009	Fuhrer	D30/162	2008/0072829	A1 *	3/2008	Kerrigan et al.	119/61.5
D606,278	S *	12/2009	Kerr et al.	D1/107	2008/0141945	A1 *	6/2008	Markham	119/61.5
D614,074	S *	4/2010	Castaline et al.	D11/79	2008/0216753	A1 *	9/2008	Wang	119/61.1
D614,818	S *	4/2010	Moore et al.	D30/158	2009/0199774	A1 *	8/2009	Hamilton	119/61.54
D617,060	S *	6/2010	Akrey	D30/154	2010/0012042	A1 *	1/2010	Lee	119/61.5
D622,028	S *	8/2010	Kerr et al.	D1/107	2011/0132269	A1 *	6/2011	Davidson	119/161
D623,806	S *	9/2010	Modi et al.	D30/129	2011/0169183	A1 *	7/2011	Axelrod et al.	264/46.4
D631,757	S *	2/2011	Kerr et al.	D9/732	2012/0068396	A1 *	3/2012	Wirth et al.	269/289 R
D640,564	S *	6/2011	Kerr et al.	D9/607	2013/0228128	A1 *	9/2013	Schehr	119/61.5
D642,336	S *	7/2011	Desrosiers	D30/129	2014/0076240	A1 *	3/2014	Tsengas	119/61.5
D650,147	S *	12/2011	Kerr et al.	D1/106	2014/0158054	A1 *	6/2014	Clarke et al.	119/51.01
D651,095	S *	12/2011	Kerr et al.	D9/607	2015/0059651	A1 *	3/2015	Talt et al.	119/61.5
					2015/0114302	A1 *	4/2015	Harris	119/61.54

* cited by examiner

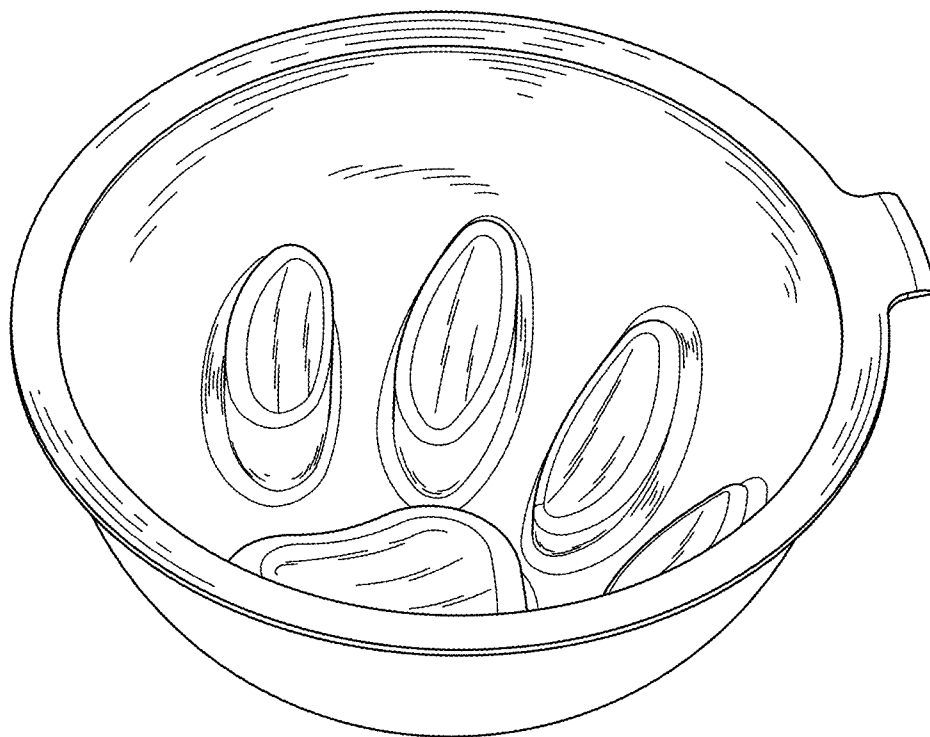


fig. 1

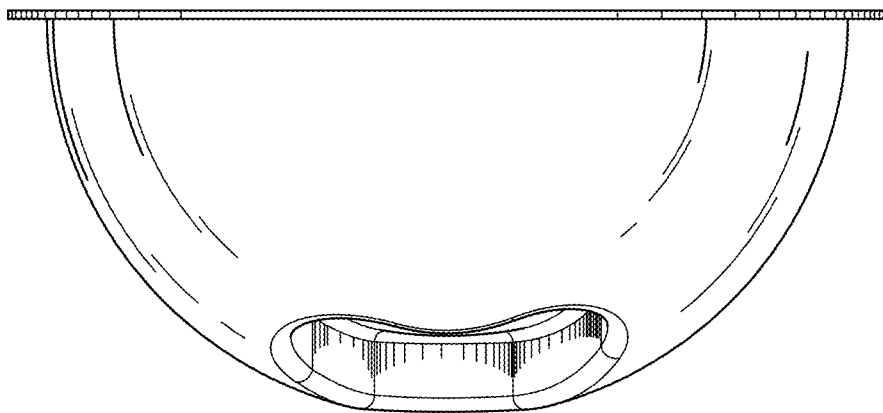


fig. 2

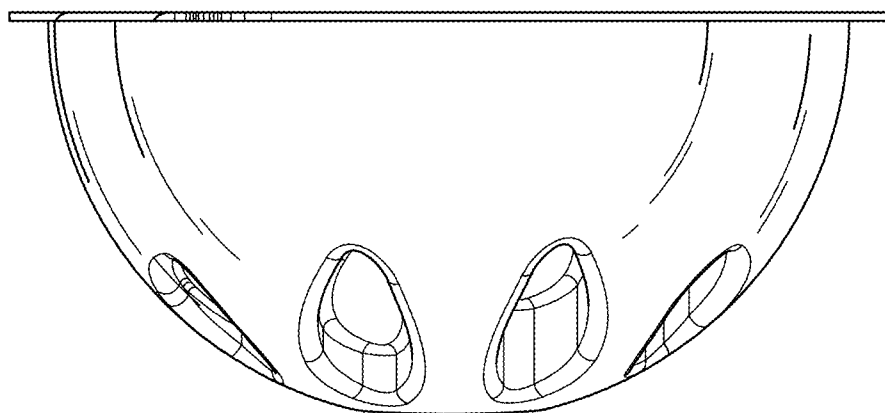


fig. 3

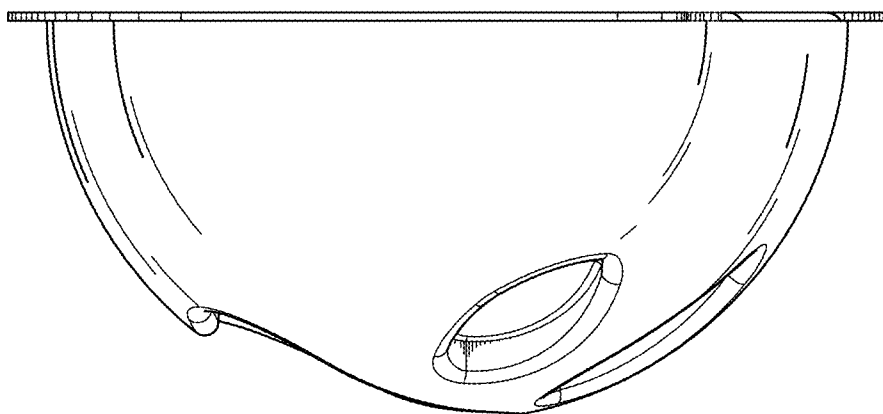


fig. 4

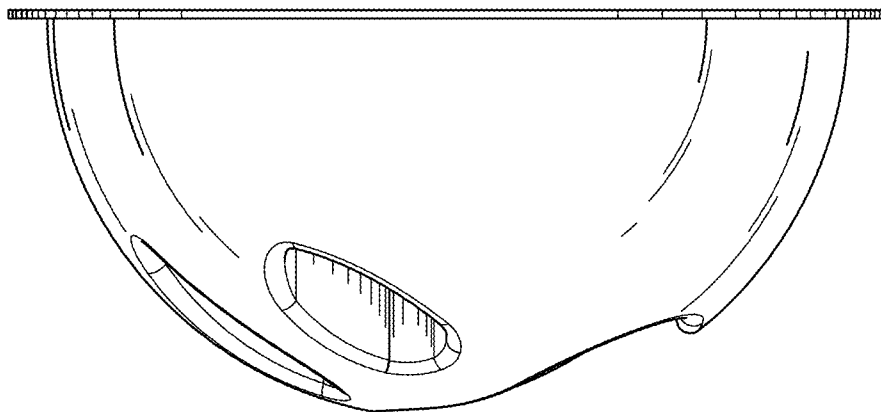


fig. 5

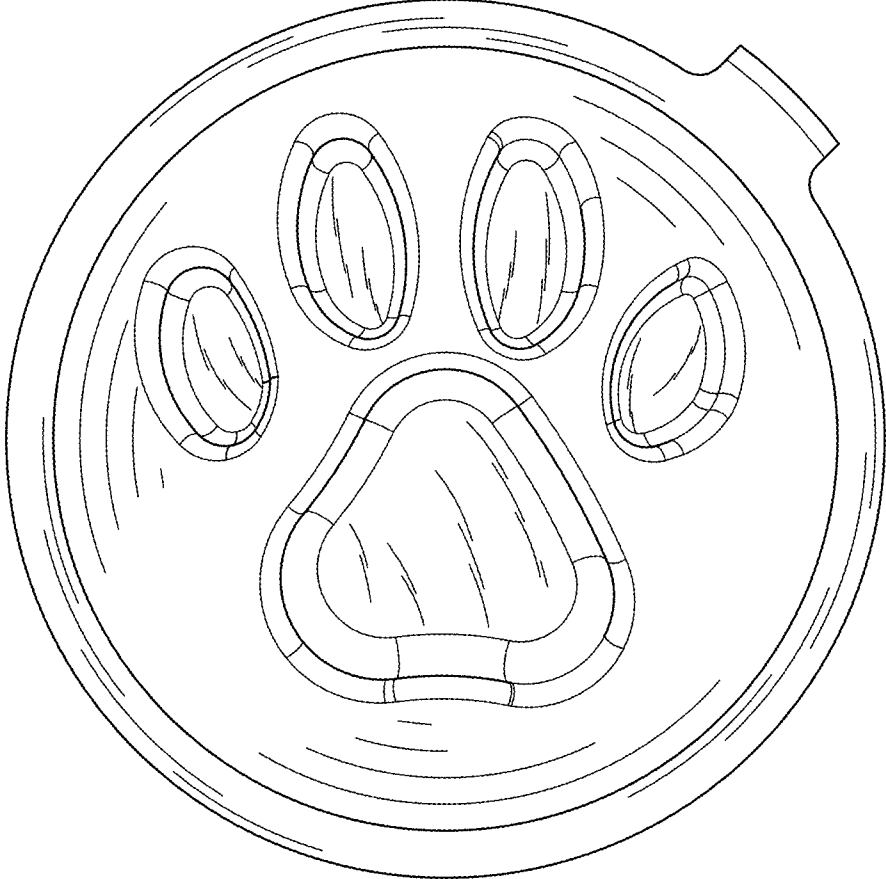


fig. 6

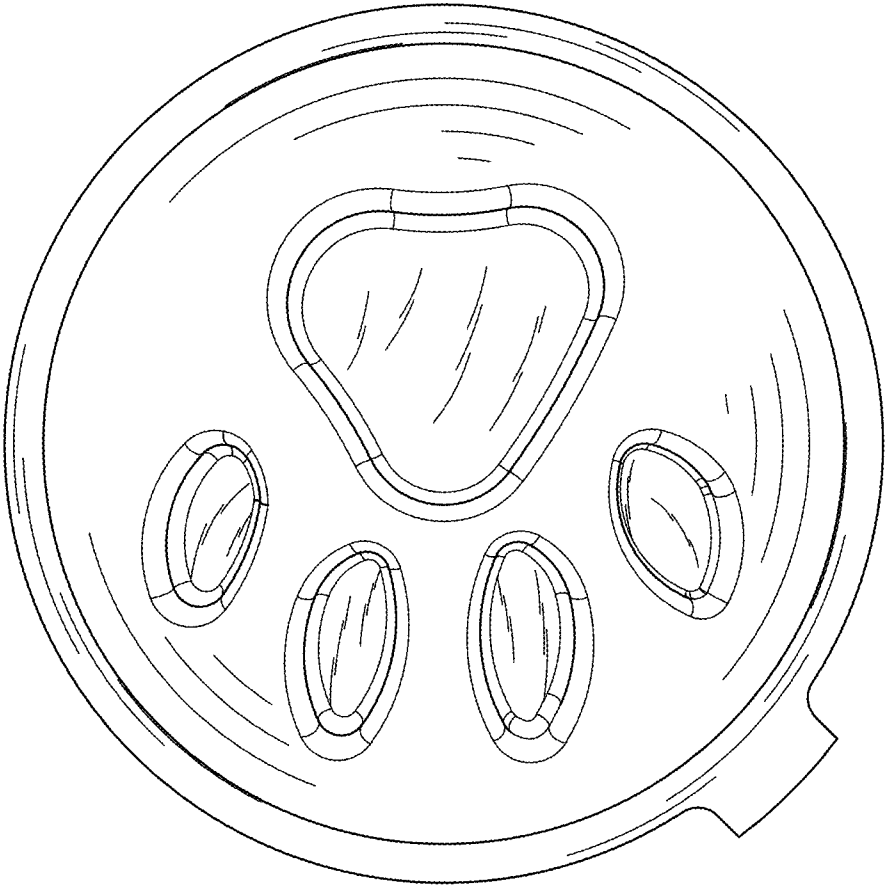


fig. 7