



US00D717655S

(12) **United States Design Patent**  
**Rose et al.**

(10) **Patent No.:** **US D717,655 S**

(45) **Date of Patent:** **\*\* Nov. 18, 2014**

(54) **CONTAINER**

(75) Inventors: **Phil John Patrick Rose**, Pittsburgh, PA  
(US); **Martin John Kontze**, Palmerston  
North (NZ)

(73) Assignee: **Innova Products Limited**, Auckland  
(NZ)

(\*\*) Term: **14 Years**

(21) Appl. No.: **29/428,095**

(22) Filed: **Jul. 26, 2012**

(30) **Foreign Application Priority Data**

Jan. 27, 2012 (NZ) ..... 415802

(51) **LOC (10) Cl.** ..... **09-01**

(52) **U.S. Cl.**

USPC ..... **D9/505**; D9/439; D7/615; D7/629

(58) **Field of Classification Search**

USPC ..... D9/428, 500, 502-503, 505, 516, 549,  
D9/558, 439, 443, 454, 504; D7/602, 630,  
D7/540, 584, 615, 629; D11/152-153;  
D26/6, 9-10, 22; 215/379, 382;  
220/660, 669-673, 675

See application file for complete search history.

(56) **References Cited**

U.S. PATENT DOCUMENTS

2,770,382 A \* 11/1956 Ritter ..... 215/42  
D222,097 S \* 9/1971 Douglas ..... D7/615

D296,523 S \* 7/1988 Corno et al. .... D9/435  
D352,210 S \* 11/1994 Cousins et al. .... D7/612  
D358,531 S \* 5/1995 Cousins et al. .... D7/612  
D400,005 S \* 10/1998 Wolff ..... D7/612  
D412,373 S \* 7/1999 Krawec et al. .... D27/190  
D435,398 S \* 12/2000 Arduini ..... D7/615  
D459,630 S \* 7/2002 Arduini ..... D7/391  
D479,802 S \* 9/2003 Arduini ..... D9/505  
D526,855 S \* 8/2006 Wolff ..... D7/612  
7,204,383 B2 \* 4/2007 Hsu ..... 220/238  
H2217 H \* 6/2008 Smay et al. .... D9/503  
D618,967 S \* 7/2010 Bodum ..... D7/615

\* cited by examiner

*Primary Examiner* — Ian Simmons

*Assistant Examiner* — Dana L Meyrow

(74) *Attorney, Agent, or Firm* — Dann, Dorfman, Herrell  
and Skillman, P.C.

(57) **CLAIM**

We claim the ornamental design for a container, as shown and  
described.

**DESCRIPTION**

FIG. 1 is a top plan view of a container embodying our new  
design;

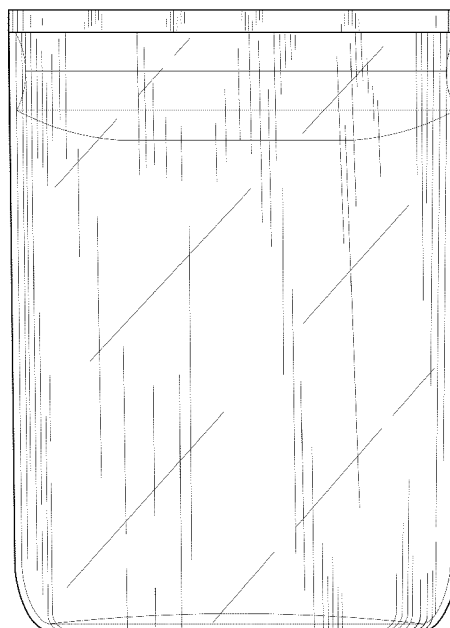
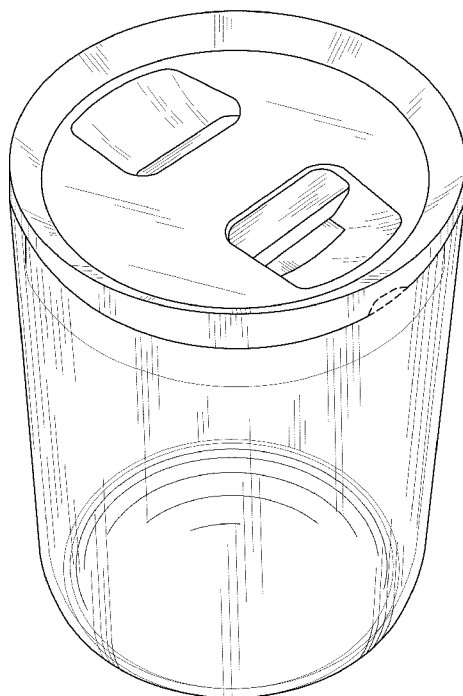
FIG. 2 is a top perspective view thereof;

FIG. 3 is a side elevation view thereof; and,

FIG. 4 is a bottom plan view thereof.

The broken lines in FIG. 2 of the drawings illustrate features  
that form no part of the claimed design.

**1 Claim, 4 Drawing Sheets**



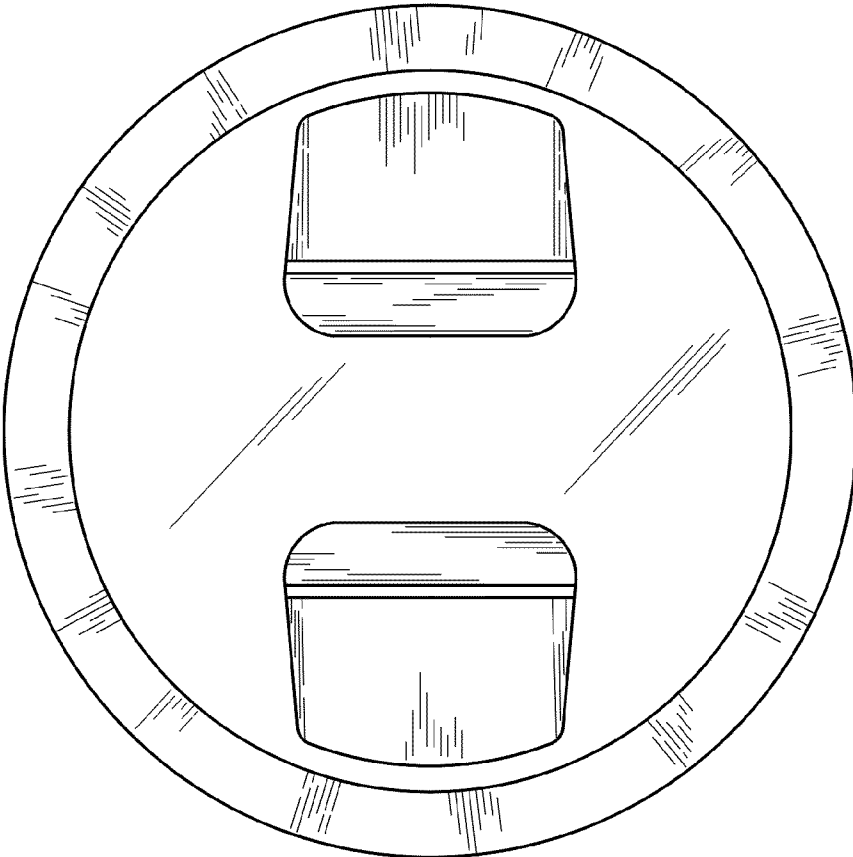


FIG. 1

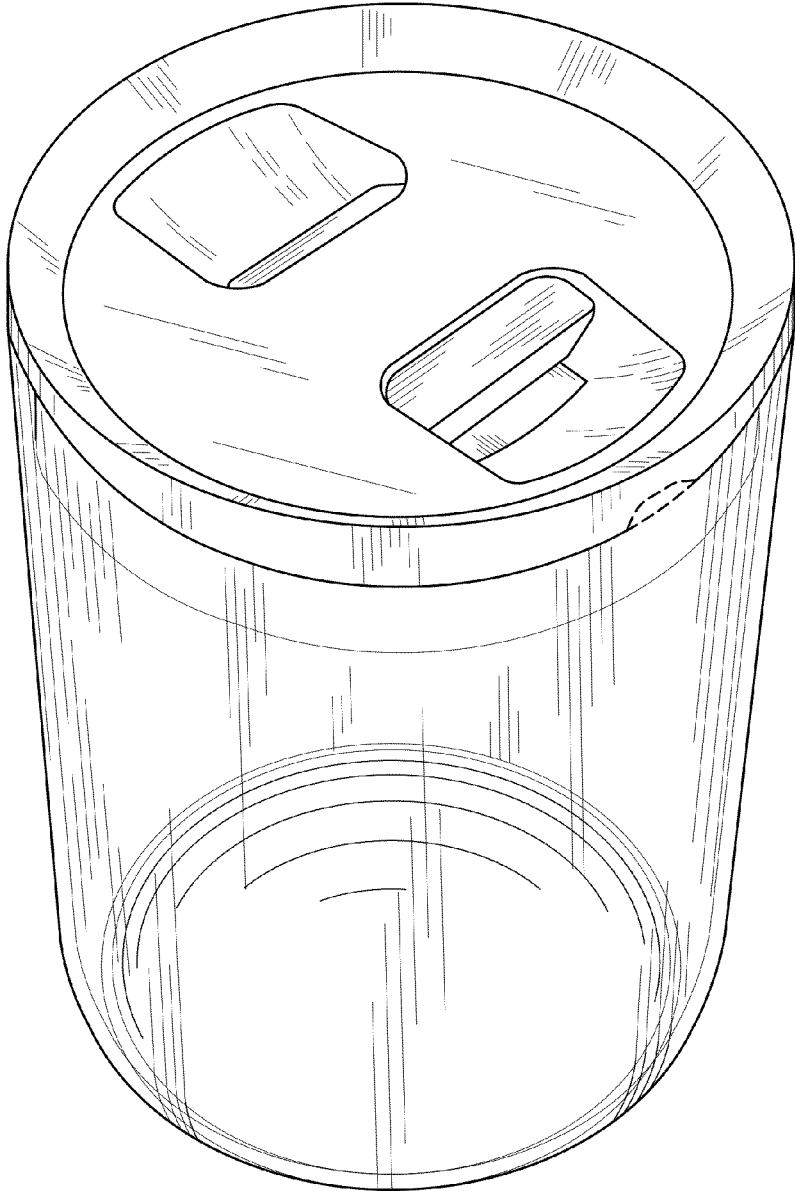
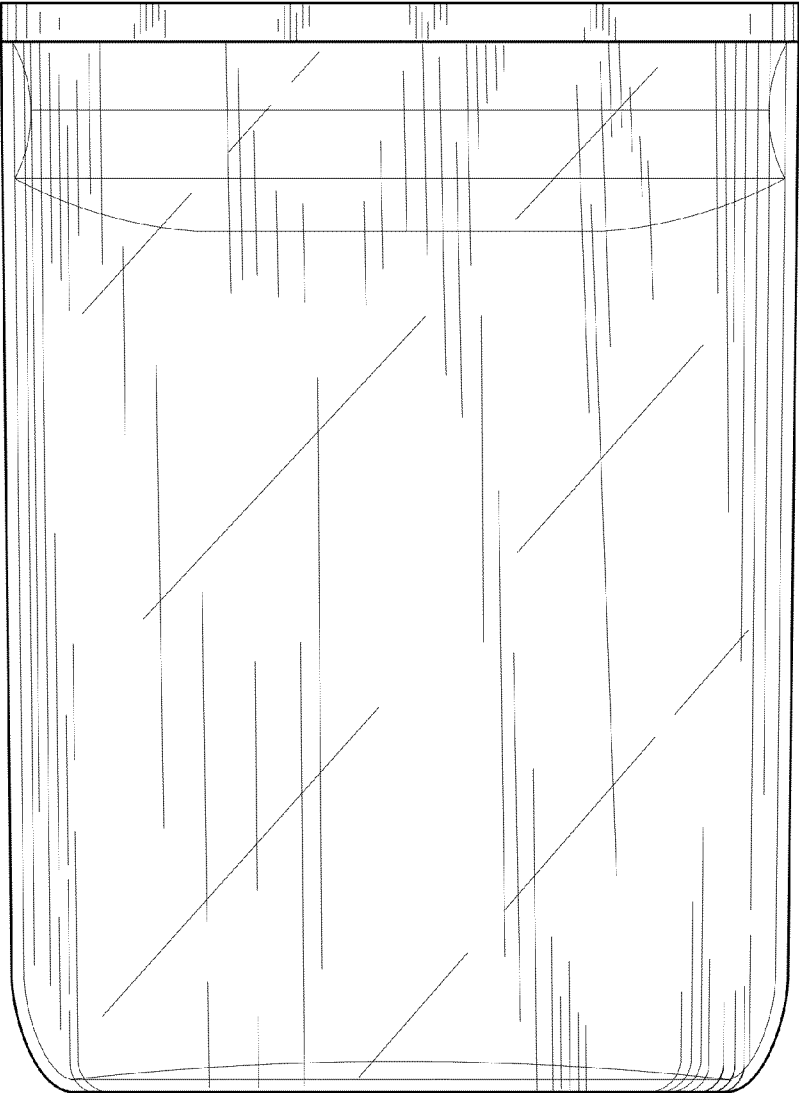
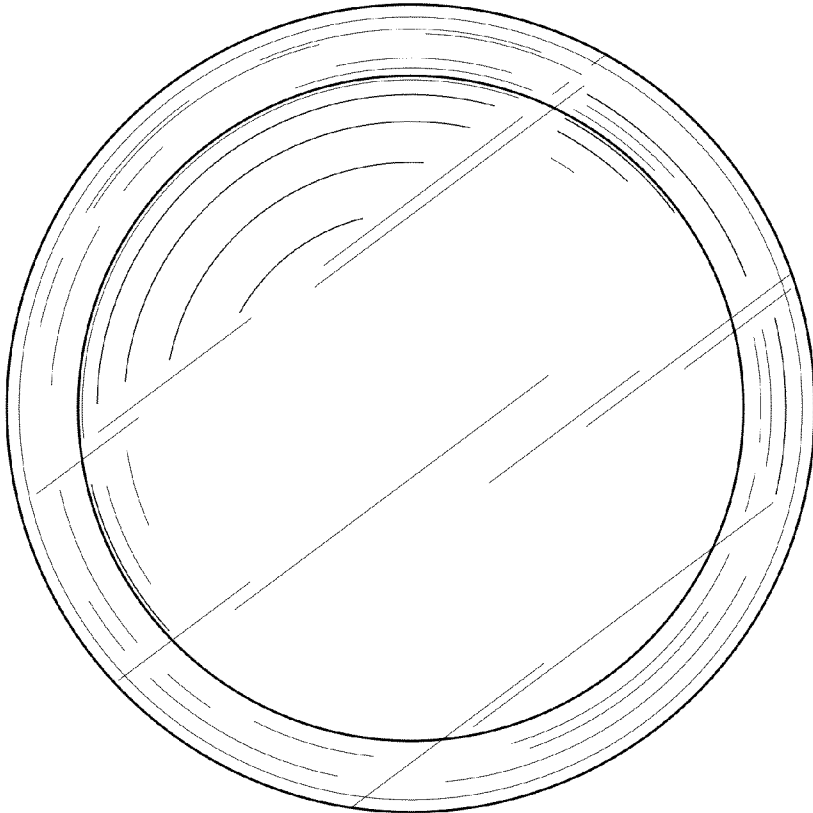


FIG. 2



**FIG. 3**



**FIG. 4**