

(19) World Intellectual Property Organization
International Bureau



(43) International Publication Date
26 April 2007 (26.04.2007)

PCT

(10) International Publication Number
WO 2007/045512 A3

- (51) International Patent Classification:
B01F 13/10 (2006.01)
- (21) International Application Number:
PCT/EP2006/010229
- (22) International Filing Date: 23 October 2006 (23.10.2006)
- (25) Filing Language: English
- (26) Publication Language: English
- (30) Priority Data:
05077432.2 21 October 2005 (21.10.2005) EP
- (71) Applicant (for all designated States except US):
LENTEQ, LP [US/US]; 555 Skokie Blvd., Suite 280,
Northbrook, IL 60062 (US).
- (72) Inventors; and
- (75) Inventors/Applicants (for US only): **MEEUWISSE, Renautus, Petrus, Cornelis** [NL/NL]; Ijsvogellaan 41, NL-2261 DL Leidschendam (NL). **LANGEVELD, Michiel, Jacobus, Johannes** [NL/NL]; 28, Maasstroom, 2721 BB Zoetermeer (NL).
- (74) Agent: **VERMEULEN, M.**; Exter Polak & Charlouis B.V., P.O. Box 3241, NL-2280 GE Rijswijk (NL).
- (81) Designated States (unless otherwise indicated, for every kind of national protection available): AE, AG, AL, AM,

AT, AU, AZ, BA, BB, BG, BR, BW, BY, BZ, CA, CH, CN, CO, CR, CU, CZ, DE, DK, DM, DZ, EC, EE, EG, ES, FI, GB, GD, GE, GH, GM, GT, HN, HR, HU, ID, IL, IN, IS, JP, KE, KG, KM, KN, KP, KR, KZ, LA, LC, LK, LR, LS, LT, LU, LV, LY, MA, MD, MG, MK, MN, MW, MX, MY, MZ, NA, NG, NI, NO, NZ, OM, PG, PH, PL, PT, RO, RS, RU, SC, SD, SE, SG, SK, SL, SM, SV, SY, TJ, TM, TN, TR, TT, TZ, UA, UG, US, UZ, VC, VN, ZA, ZM, ZW.

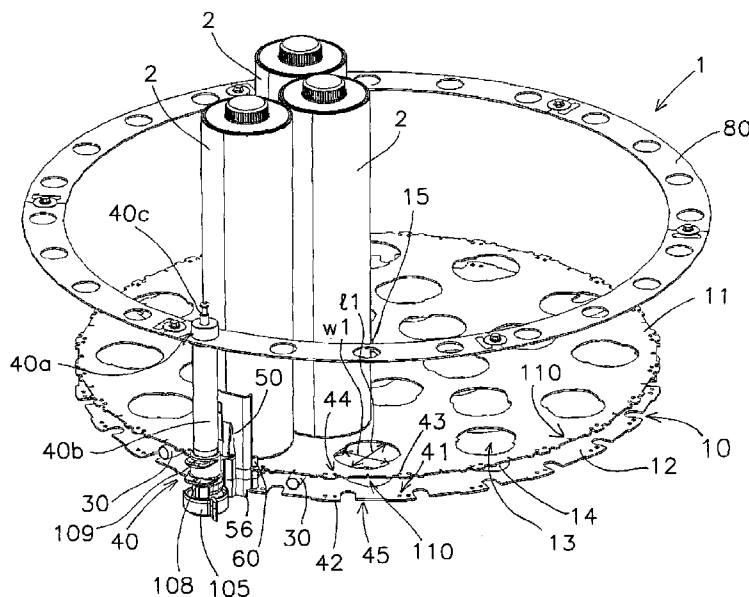
(84) Designated States (unless otherwise indicated, for every kind of regional protection available): ARIPO (BW, GH, GM, KE, LS, MW, MZ, NA, SD, SL, SZ, TZ, UG, ZM, ZW), Eurasian (AM, AZ, BY, KG, KZ, MD, RU, TJ, TM), European (AT, BE, BG, CH, CY, CZ, DE, DK, EE, ES, FI, FR, GB, GR, HU, IE, IS, IT, LT, LU, LV, MC, NL, PL, PT, RO, SE, SI, SK, TR), OAPI (BF, BJ, CF, CG, CI, CM, GA, GN, GQ, GW, ML, MR, NE, SN, TD, TG).

Published:
— with international search report
— before the expiration of the time limit for amending the claims and to be republished in the event of receipt of amendments

(88) Date of publication of the international search report:
19 July 2007

[Continued on next page]

(54) Title: FLUID DISPENSER



(57) Abstract: The invention relates to a dispenser apparatus (1) for dispensing fluids such as paint or hair-dye colorants. The dispenser apparatus comprises one or more dispensing units (2), which at least comprise a receptacle for holding directly or indirectly a fluid and a corresponding pump means (40) for dispensing said fluid. Furthermore, the dispenser apparatus comprises a movable, preferably rotatable support structure (10) for supporting said dispensing units. The apparatus also comprises a stationary dispensing station (107) at least comprising pump actuating means (110) for selectively actuating the pump means. According to the invention the support structure (10) and/or each dispensing unit comprises two parallel spaced apart mutually fixed support plates (11, 12) which provides a solid support for the receptacles.

WO 2007/045512 A3



For two-letter codes and other abbreviations, refer to the "Guidance Notes on Codes and Abbreviations" appearing at the beginning of each regular issue of the PCT Gazette.

INTERNATIONAL SEARCH REPORT

International application No
PCT/EP2006/010229

A. CLASSIFICATION OF SUBJECT MATTER
INV. B01F13/10

According to International Patent Classification (IPC) or to both national classification and IPC

B. FIELDS SEARCHED

Minimum documentation searched (classification system followed by classification symbols)
B01F

Documentation searched other than minimum documentation to the extent that such documents are included in the fields searched

Electronic data base consulted during the international search (name of data base and, where practical, search terms used)

EPO-Internal, WPI Data

C. DOCUMENTS CONSIDERED TO BE RELEVANT

Category*	Citation of document, with indication, where appropriate, of the relevant passages	Relevant to claim No.
A	WO 2005/082510 A2 (LENTEQ LP [US]; MINK JOHANNES HENDRIKUS [NL]; VAN WESTEROP WILHELMUS Q) 9 September 2005 (2005-09-09) abstract; figure 1	1-21
A	GB 2 151 362 A (AULT & WIBORG GROUP PLC) 17 July 1985 (1985-07-17) abstract; claim 1; figure 1	1-21
A	EP 1 090 679 A1 (FLUID MAN [US]) 11 April 2001 (2001-04-11) abstract; figure 1	1-21
A	US 5 558 251 A (NERI GIUSEPPE [IT]) 24 September 1996 (1996-09-24) abstract; figures 1-7	1-21

Further documents are listed in the continuation of Box C.

See patent family annex.

* Special categories of cited documents :

- *A* document defining the general state of the art which is not considered to be of particular relevance
- *E* earlier document but published on or after the international filing date
- *L* document which may throw doubts on priority claim(s) or which is cited to establish the publication date of another citation or other special reason (as specified)
- *O* document referring to an oral disclosure, use, exhibition or other means
- *P* document published prior to the international filing date but later than the priority date claimed

- *T* later document published after the international filing date or priority date and not in conflict with the application but cited to understand the principle or theory underlying the invention
- *X* document of particular relevance; the claimed invention cannot be considered novel or cannot be considered to involve an inventive step when the document is taken alone
- *Y* document of particular relevance; the claimed invention cannot be considered to involve an inventive step when the document is combined with one or more other such documents, such combination being obvious to a person skilled in the art.
- * & * document member of the same patent family

Date of the actual completion of the international search

22 December 2006

Date of mailing of the international search report

09/05/2007

Name and mailing address of the ISA/

European Patent Office, P.B. 5818 Patentlaan 2
NL - 2280 HV Rijswijk
Tel. (+31-70) 340-2040, Tx. 31 651 epo nl,
Fax: (+31-70) 340-3016

Authorized officer

Muller, Gérard

INTERNATIONAL SEARCH REPORT

International application No.
PCT/EP2006/010229

Box II Observations where certain claims were found unsearchable (Continuation of item 2 of first sheet)

This International Search Report has not been established in respect of certain claims under Article 17(2)(a) for the following reasons:

1. Claims Nos.:
because they relate to subject matter not required to be searched by this Authority, namely:

2. Claims Nos.:
because they relate to parts of the International Application that do not comply with the prescribed requirements to such an extent that no meaningful International Search can be carried out, specifically:

3. Claims Nos.:
because they are dependent claims and are not drafted in accordance with the second and third sentences of Rule 6.4(a).

Box III Observations where unity of invention is lacking (Continuation of item 3 of first sheet)

This International Searching Authority found multiple inventions in this international application, as follows:

see additional sheet

1. As all required additional search fees were timely paid by the applicant, this International Search Report covers all searchable claims.

2. As all searchable claims could be searched without effort justifying an additional fee, this Authority did not invite payment of any additional fee.

3. As only some of the required additional search fees were timely paid by the applicant, this International Search Report covers only those claims for which fees were paid, specifically claims Nos.:

4. No required additional search fees were timely paid by the applicant. Consequently, this International Search Report is restricted to the invention first mentioned in the claims; it is covered by claims Nos.:

1-21

Remark on Protest

- The additional search fees were accompanied by the applicant's protest.
- No protest accompanied the payment of additional search fees.

FURTHER INFORMATION CONTINUED FROM PCT/ISA/ 210

This International Searching Authority found multiple (groups of) inventions in this international application, as follows:

1. claims: 1-21

Dispenser apparatus with a rigid support structure.

2. claims: 22-25

Dispenser apparatus with independently dismountable dispensing units.

INTERNATIONAL SEARCH REPORT

Information on patent family members

International application No

PCT/EP2006/010229

Patent document cited in search report	Publication date	Patent family member(s)	Publication date	
WO 2005082510	A2	09-09-2005	AU 2005216828 A1	09-09-2005
			CA 2555644 A1	09-09-2005
			CN 1925905 A	07-03-2007
			EP 1735083 A2	27-12-2006
<hr/>				
GB 2151362	A	17-07-1985	NONE	
<hr/>				
EP 1090679	A1	11-04-2001	NONE	
<hr/>				
US 5558251	A	24-09-1996	CA 2118484 A1	20-04-1996
<hr/>				