

(19) World Intellectual Property Organization
International Bureau



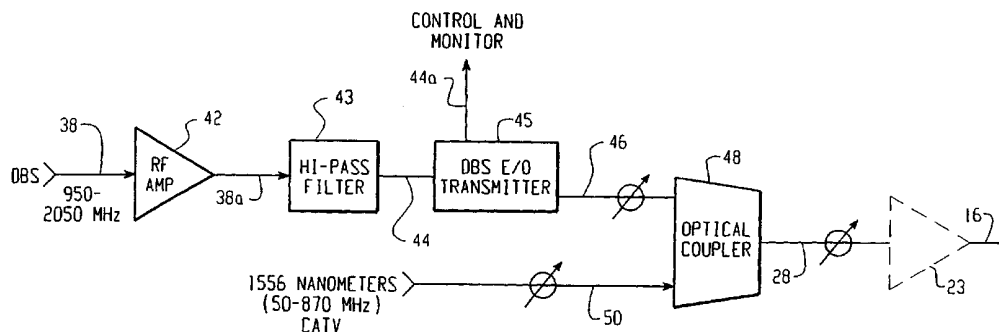
(43) International Publication Date
11 October 2001 (11.10.2001)

PCT

(10) International Publication Number
WO 01/076108 A3

- (51) International Patent Classification⁷: H04B 10/12, H04N 7/22
- (21) International Application Number: PCT/US01/09388
- (22) International Filing Date: 23 March 2001 (23.03.2001)
- (25) Filing Language: English
- (26) Publication Language: English
- (30) Priority Data:
09/540,956 31 March 2000 (31.03.2000) US
- (71) Applicant: MARCONI COMMUNICATIONS, INC.
[US/US]; 5900 Landerbrook Drive, Cleveland, OH 44124 (US).
- (72) Inventors: BUABBUD, George, H.; 1606 Pheasant Lane, South Lake, TX 76092 (US). RADLOFF, Georgeanne, M.; 2502 Bentley Drive, Grand Prairie, TX 75052 (US). ZUHDI, Muneer; 1383 Clear Creek Drive, Lewisville, TX 75067 (US).
- (74) Agents: COCHRAN, David, B. et al.; Jones, Day, Reavis & Pogue, North Point, 901 Lakeside Avenue, Cleveland, OH 44114 (US).
- (81) Designated States (*national*): AE, AG, AL, AM, AT, AU, AZ, BA, BB, BG, BR, BY, BZ, CA, CH, CN, CO, CR, CU, CZ, DE, DK, DM, DZ, EE, ES, FI, GB, GD, GE, GH, GM, HR, HU, ID, IL, IN, IS, JP, KE, KG, KP, KR, KZ, LC, LK, LR, LS, LT, LU, LV, MA, MD, MG, MK, MN, MW, MX, MZ, NO, NZ, PL, PT, RO, RU, SD, SE, SG, SI, SK, SL, TJ, TM, TR, TT, TZ, UA, UG, UZ, VN, YU, ZA, ZW.
- (84) Designated States (*regional*): ARIPO patent (GH, GM, KE, LS, MW, MZ, SD, SL, SZ, TZ, UG, ZW), Eurasian patent (AM, AZ, BY, KG, KZ, MD, RU, TJ, TM), European patent (AT, BE, CH, CY, DE, DK, ES, FI, FR, GB, GR, IE, IT, LU, MC, NL, PT, SE, TR), OAPI patent (BF, BJ, CF, CG, CI, CM, GA, GN, GW, ML, MR, NE, SN, TD, TG).
- Published:
— with international search report
- (88) Date of publication of the international search report:
18 July 2002
- For two-letter codes and other abbreviations, refer to the "Guidance Notes on Codes and Abbreviations" appearing at the beginning of each regular issue of the PCT Gazette.*

(54) Title: APPARATUS AND METHOD FOR COMBINING TWO SEPARATE RF SIGNALS ON A SINGLE OPTICAL FIBER WITH MONITORING AND ALARM CAPABILITIES



(57) Abstract: Apparatus for combining an RF signal at one frequency band and carried by a selected nominal wavelength of light with an RF signal at a different and separate frequency band and carried by another source of light having the selected nominal wavelength onto a signal optical fiber.

WO 01/076108 A3

INTERNATIONAL SEARCH REPORT

International Application No

PCT/US 01/09388

A. CLASSIFICATION OF SUBJECT MATTER
 IPC 7 H04B10/12 H04N7/22

According to International Patent Classification (IPC) or to both national classification and IPC

B. FIELDS SEARCHED

Minimum documentation searched (classification system followed by classification symbols)

IPC 7 H04N H04B

Documentation searched other than minimum documentation to the extent that such documents are included in the fields searched

Electronic data base consulted during the international search (name of data base and, where practical, search terms used)

EPO-Internal, PAJ, WPI Data

C. DOCUMENTS CONSIDERED TO BE RELEVANT

Category °	Citation of document, with indication, where appropriate, of the relevant passages	Relevant to claim No.
A	US 5 748 348 A (HEIDEMANN ROLF ET AL) 5 May 1998 (1998-05-05) column 3, line 23 -column 4, line 14; figure 2 ---	1-7
A	US 5 543 951 A (MOEHRMANN KARL-HEINZ) 6 August 1996 (1996-08-06) abstract; figures 1,3 column 3, line 28 - line 52 column 5, line 56 -column 6, line 67 ---	1,2,9-11
A	US 5 861 966 A (ORTEL WILLIAM G) 19 January 1999 (1999-01-19) abstract; figures 1-4,8-10 -----	1,6,7

Further documents are listed in the continuation of box C.

Patent family members are listed in annex.

° Special categories of cited documents :

- *A* document defining the general state of the art which is not considered to be of particular relevance
- *E* earlier document but published on or after the international filing date
- *L* document which may throw doubts on priority claim(s) or which is cited to establish the publication date of another citation or other special reason (as specified)
- *O* document referring to an oral disclosure, use, exhibition or other means
- *P* document published prior to the international filing date but later than the priority date claimed

- *T* later document published after the international filing date or priority date and not in conflict with the application but cited to understand the principle or theory underlying the invention
- *X* document of particular relevance; the claimed invention cannot be considered novel or cannot be considered to involve an inventive step when the document is taken alone
- *Y* document of particular relevance; the claimed invention cannot be considered to involve an inventive step when the document is combined with one or more other such documents, such combination being obvious to a person skilled in the art.
- *&* document member of the same patent family

Date of the actual completion of the international search

17 January 2002

Date of mailing of the international search report

23/01/2002

Name and mailing address of the ISA

European Patent Office, P.B. 5818 Patentlaan 2
 NL - 2280 HV Rijswijk
 Tel. (+31-70) 340-2040, Tx. 31 651 epo nl,
 Fax: (+31-70) 340-3016

Authorized officer

Goudelis, M

INTERNATIONAL SEARCH REPORT

Information on patent family members

International Application No

PCT/US 01/09388

Patent document cited in search report	A	Publication date	Patent family member(s)	Publication date
US 5748348	A	05-05-1998	DE 4438942 A1	02-05-1996
			AU 705175 B2	20-05-1999
			AU 3450295 A	09-05-1996
			CA 2161732 A1	01-05-1996
			EP 0709978 A2	01-05-1996
			JP 8251578 A	27-09-1996
<hr style="border-top: 1px dashed black;"/>				
US 5543951	A	06-08-1996	EP 0673166 A1	20-09-1995
			AT 180937 T	15-06-1999
			DE 59408360 D1	08-07-1999
<hr style="border-top: 1px dashed black;"/>				
US 5861966	A	19-01-1999	NONE	
<hr style="border-top: 1px dashed black;"/>				