



US00D734330S

(12) **United States Design Patent**  
**Huang et al.**

(10) **Patent No.:** **US D734,330 S**

(45) **Date of Patent:** **\*\* Jul. 14, 2015**

(54) **WEARABLE DEVICE**

(71) Applicants: **Pei-Pin Huang**, Taipei (TW);  
**Chang-Hua Wei**, Taipei (TW);  
**Ting-Wei Wu**, Taipei (TW); **Pei-Jen Lin**, Taipei (TW)

(72) Inventors: **Pei-Pin Huang**, Taipei (TW);  
**Chang-Hua Wei**, Taipei (TW);  
**Ting-Wei Wu**, Taipei (TW); **Pei-Jen Lin**, Taipei (TW)

(73) Assignee: **COMPAL ELECTRONICS, INC.**,  
Taipei (TW)

(\*\*) Term: **14 Years**

(21) Appl. No.: **29/479,332**

(22) Filed: **Jan. 14, 2014**

(51) **LOC (10) Cl.** ..... **14-02**

(52) **U.S. Cl.** ..... **D14/344**  
USPC .....

(58) **Field of Classification Search**  
USPC ..... D14/138 A, 138 R, 218, 240, 341, 342,  
D14/343, 344, 345, 346, 347, 358, 420, 426,  
D14/427, 496; D10/30, 31, 32, 37, 38, 39,  
D10/65, 70, 98; 368/281, 282, 294, 295,  
368/296; D11/2, 3, 4, 5; 379/433.1;  
D24/165, 167, 186

See application file for complete search history.

(56) **References Cited**

**U.S. PATENT DOCUMENTS**

|              |        |                        |           |
|--------------|--------|------------------------|-----------|
| D249,244 S * | 9/1978 | Salter .....           | D10/32    |
| D528,439 S * | 9/2006 | Burton .....           | D10/32    |
| D528,441 S * | 9/2006 | Burton .....           | D10/38    |
| D535,205 S * | 1/2007 | Frederick et al. ....  | D10/104.1 |
| D566,580 S * | 4/2008 | Giorgio .....          | D10/32    |
| D584,170 S * | 1/2009 | Morrison .....         | D10/32    |
| D621,808 S * | 8/2010 | Kim .....              | D14/138 R |
| D639,955 S * | 6/2011 | Riobo Aboy et al. .... | D24/165   |
| D655,497 S * | 3/2012 | Stanley .....          | D3/218    |
| D667,126 S * | 9/2012 | Cho et al. ....        | D24/186   |

|              |         |                       |           |
|--------------|---------|-----------------------|-----------|
| D672,667 S * | 12/2012 | Mix .....             | D10/65    |
| D693,251 S * | 11/2013 | Anderssen et al. .... | D10/70    |
| D703,204 S * | 4/2014  | Riddiford et al. .... | D14/344   |
| D718,170 S * | 11/2014 | Aumiller et al. ....  | D11/3     |
| D719,123 S * | 12/2014 | Park et al. ....      | D14/138 R |

\* cited by examiner

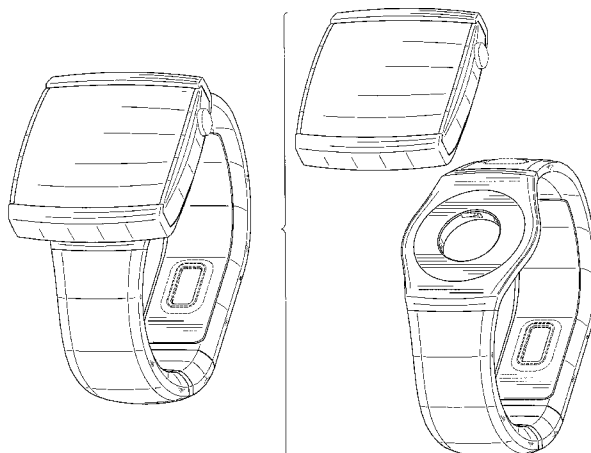
*Primary Examiner* — Barbara Fox  
*Assistant Examiner* — Chelsea Sealey  
(74) *Attorney, Agent, or Firm* — Jianq Chyun IP Office

(57) **CLAIM**  
The ornamental design for a wearable device, as shown and described.

**DESCRIPTION**

FIG. 1 is a perspective view of a wearable device showing our new design;  
FIG. 2 is another perspective view thereof;  
FIG. 3 is a front view thereof;  
FIG. 4 is a rear view thereof;  
FIG. 5 is a left side view thereof;  
FIG. 6 is a right side view thereof;  
FIG. 7 is a top view thereof;  
FIG. 8 is a bottom view thereof.  
FIG. 9 is an exploded perspective view thereof;  
FIG. 10 is a perspective view of the strap thereof, shown separately for ease of illustration;  
FIG. 11 is another perspective view thereof;  
FIG. 12 is a front view thereof;  
FIG. 13 is a rear view thereof;  
FIG. 14 is a left side view thereof;  
FIG. 15 is a right side view thereof;  
FIG. 16 is a top view thereof;  
FIG. 17 is a bottom view thereof;  
FIG. 18 is a perspective view of the electronic device portion of FIG. 1, shown separately for ease of illustration;  
FIG. 19 is another perspective view thereof;  
FIG. 20 is a front view thereof;  
FIG. 21 is a rear view thereof;  
FIG. 22 is a left side view thereof;  
FIG. 23 is a right side view thereof;  
FIG. 24 is a top view thereof; and,  
FIG. 25 is a bottom view thereof.  
The broken lines indicate portions of the wearable device that form no part of the claimed design.

**1 Claim, 22 Drawing Sheets**



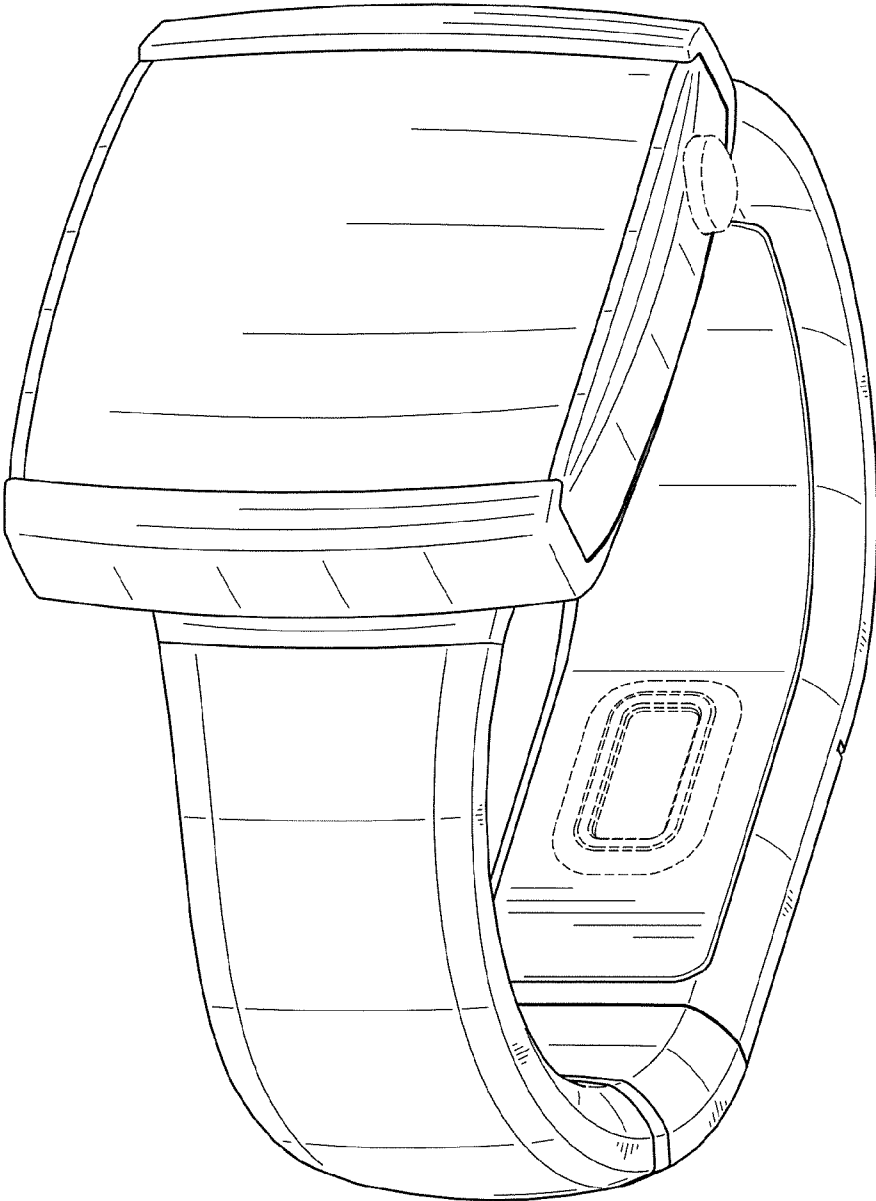


FIG. 1

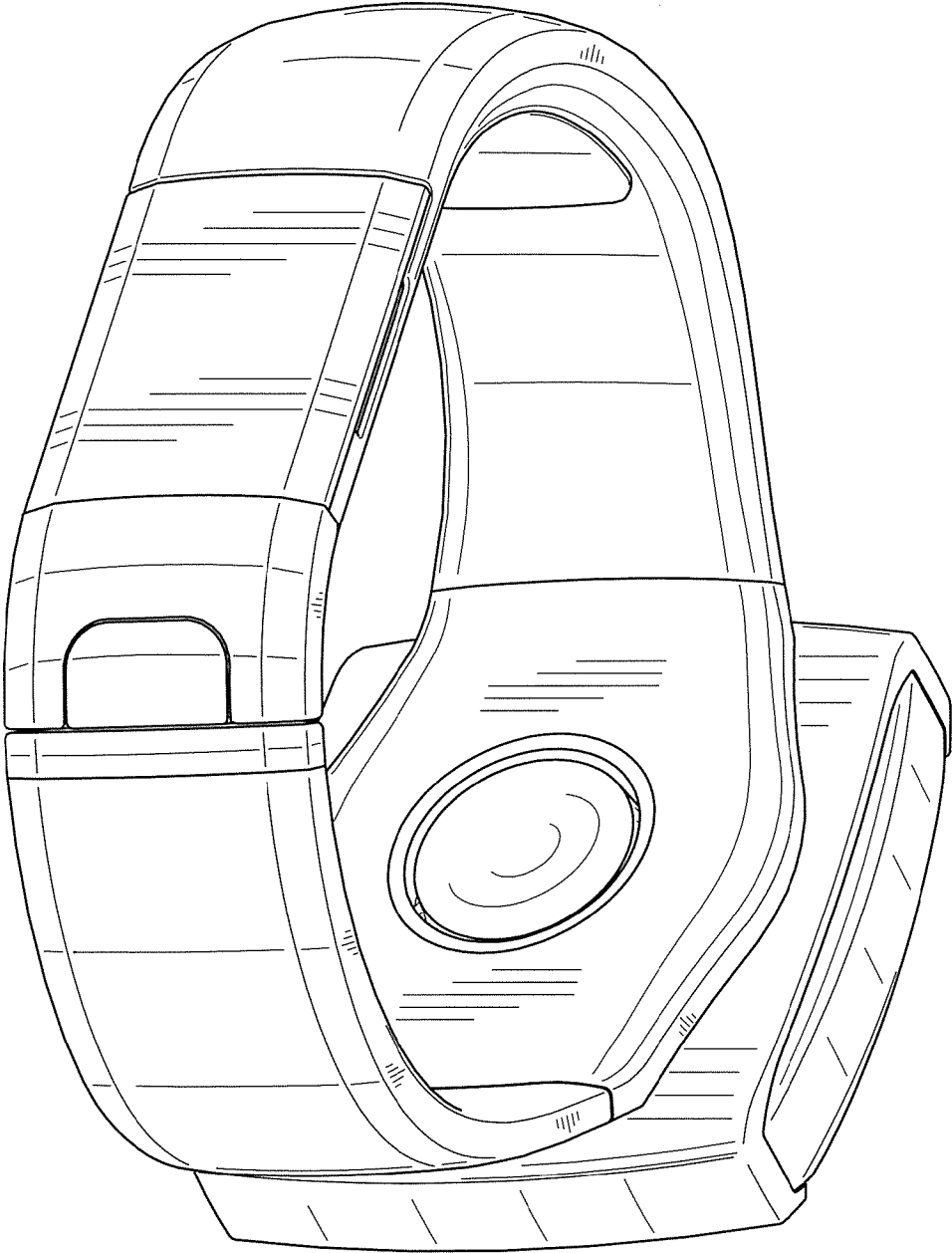


FIG. 2

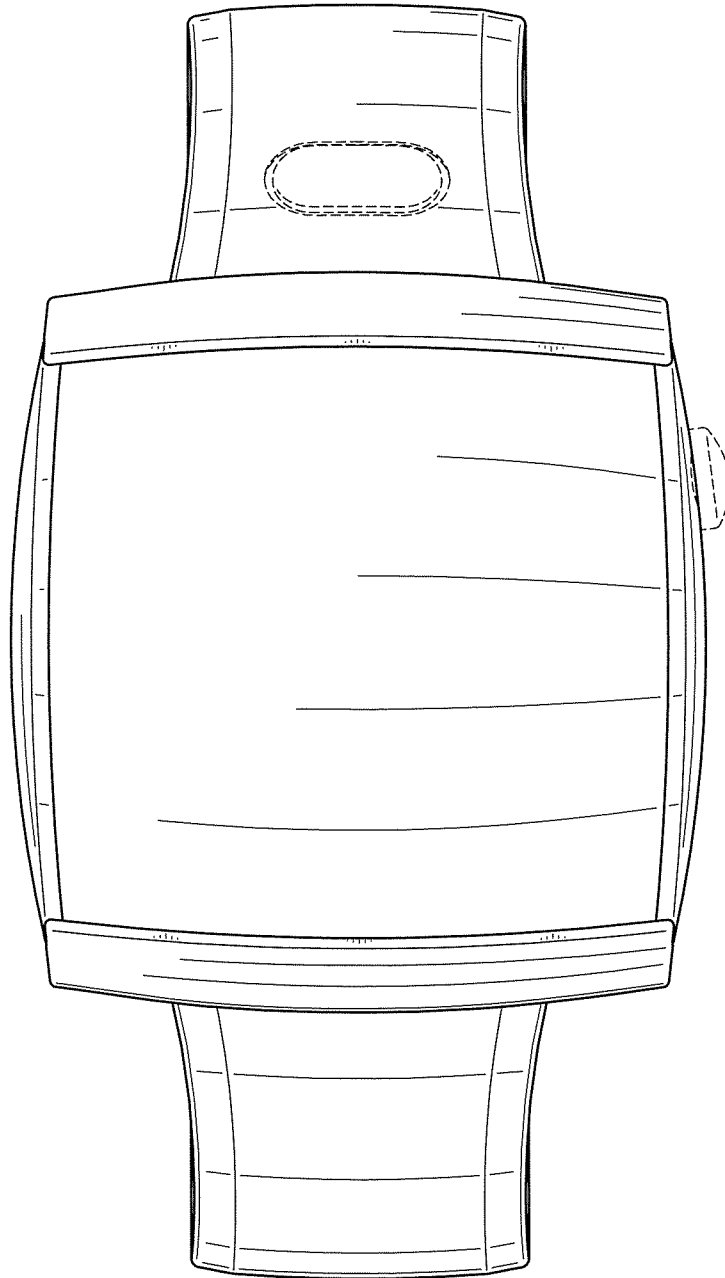


FIG. 3

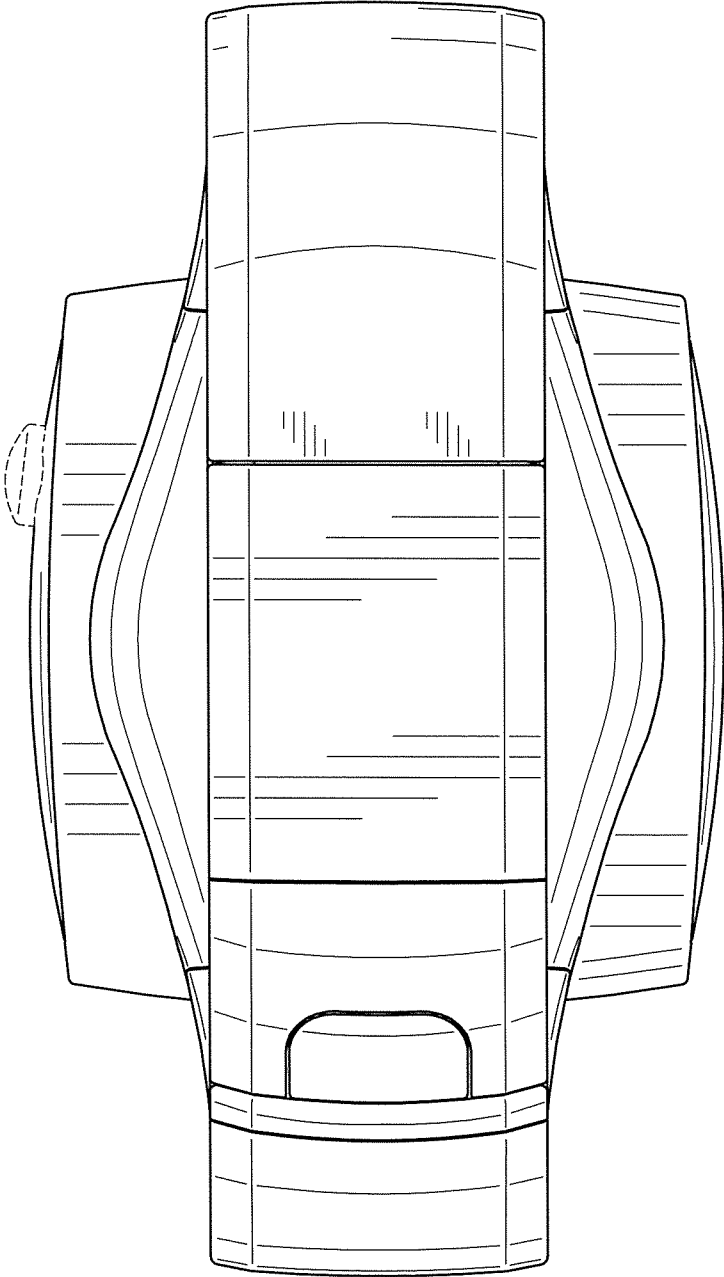


FIG. 4

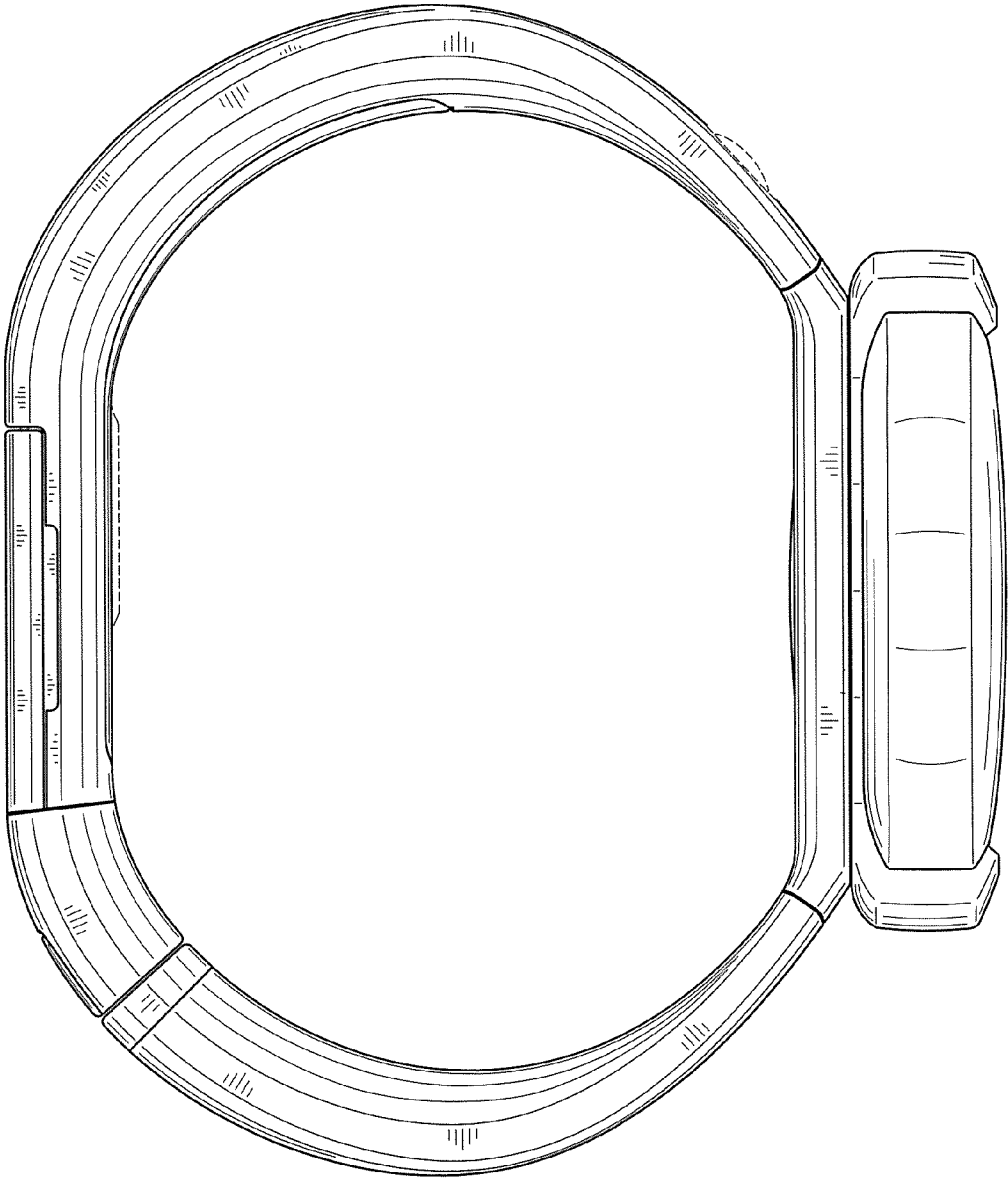


FIG. 5

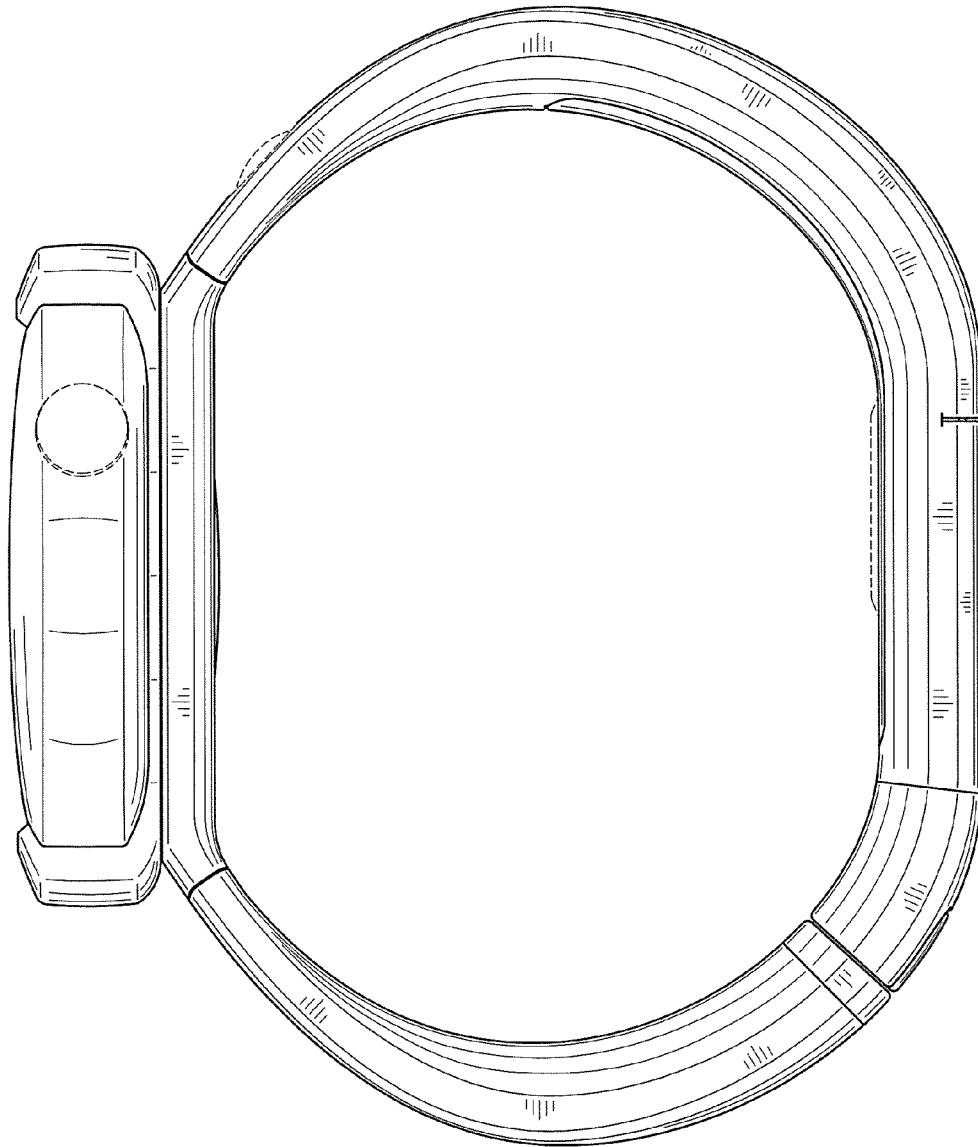


FIG. 6

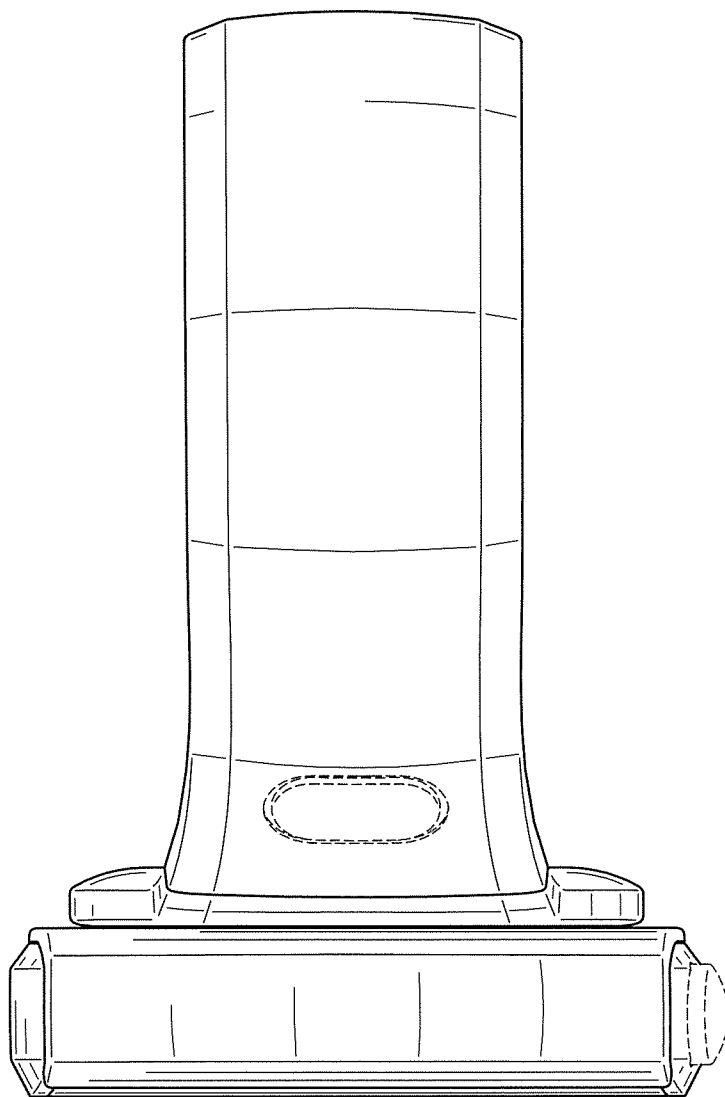


FIG. 7

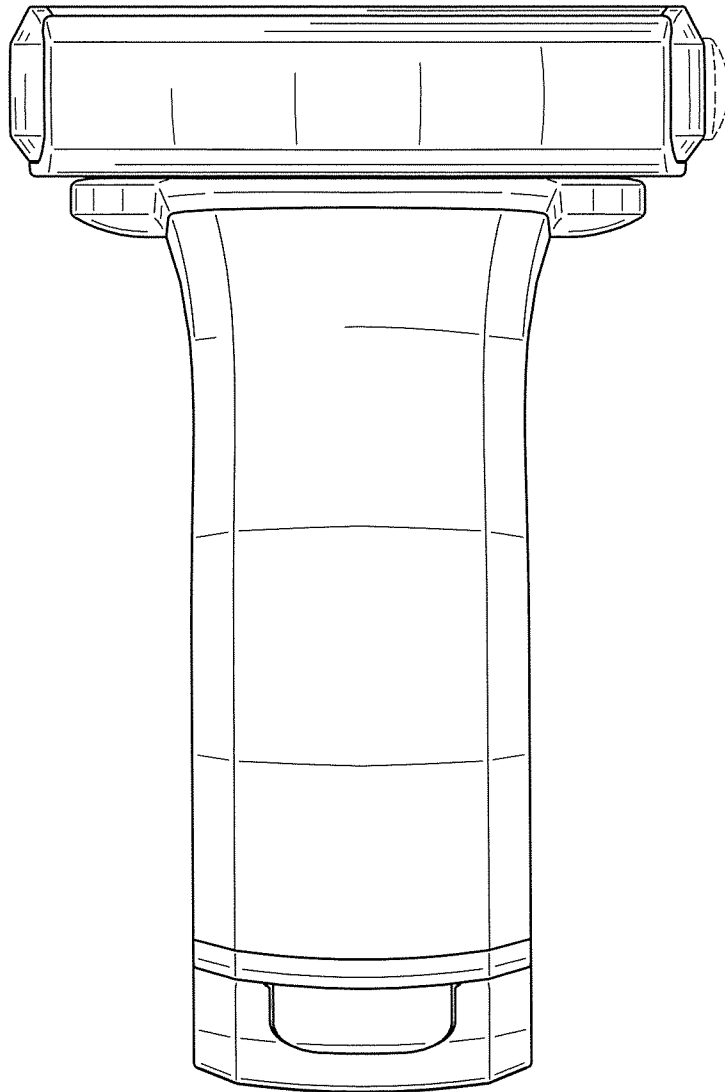


FIG. 8

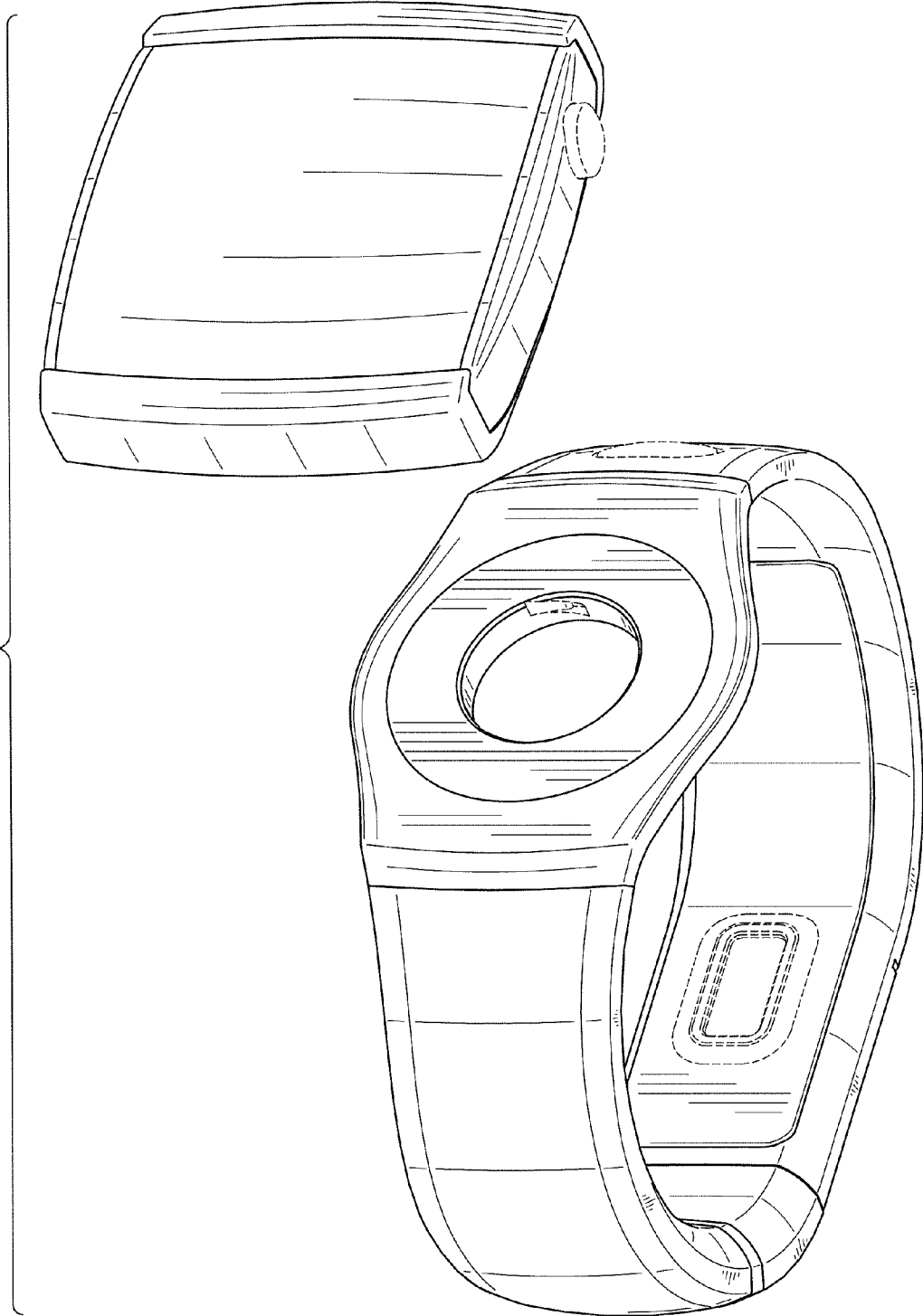


FIG. 9

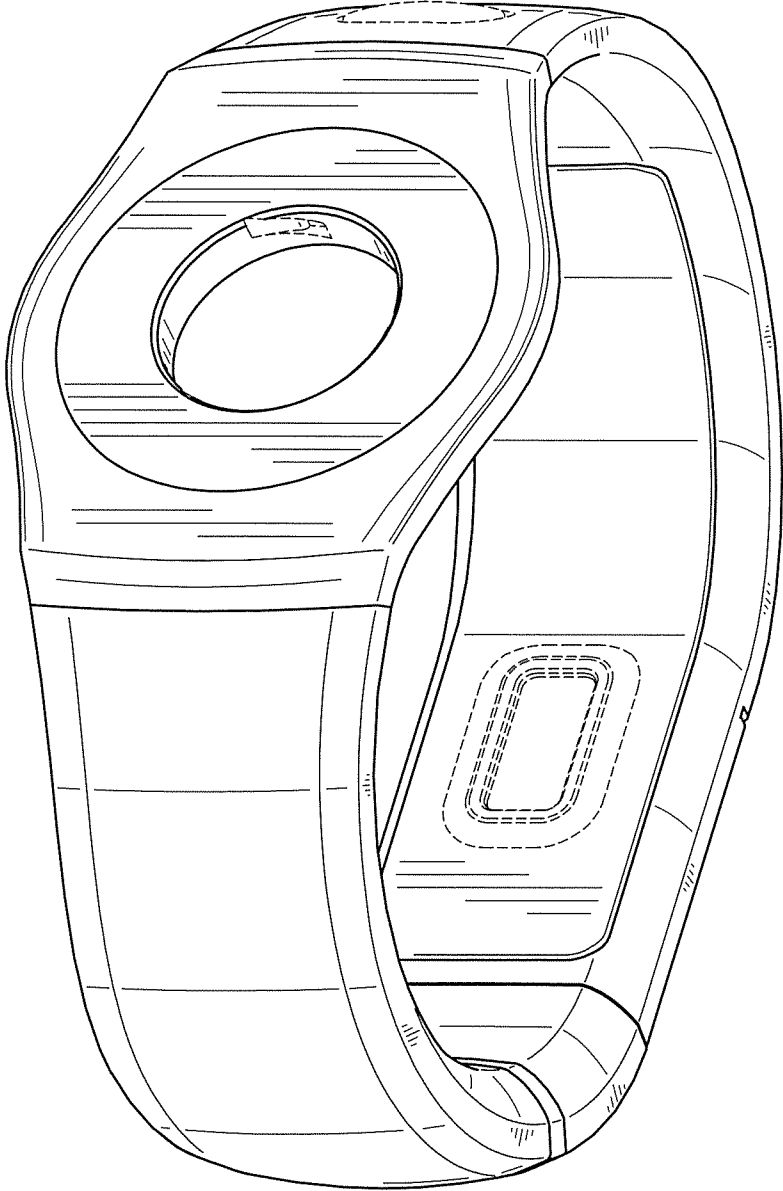


FIG. 10

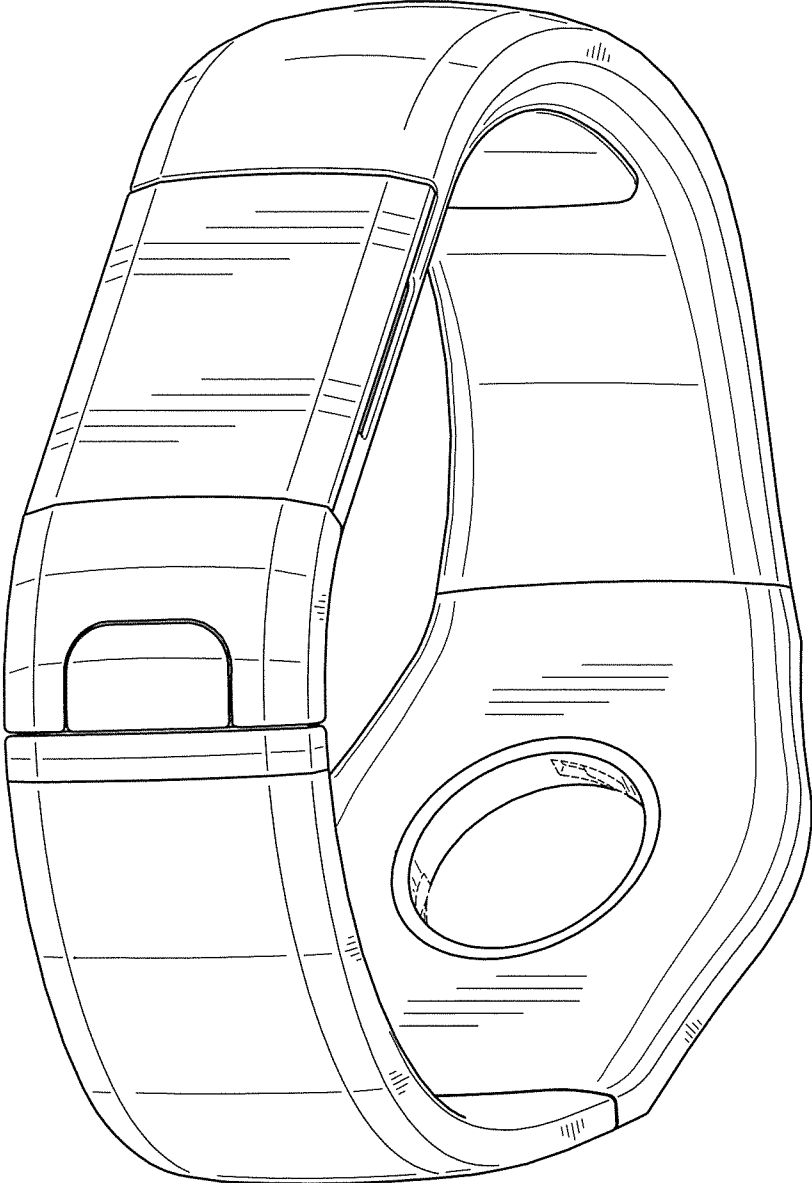


FIG. 11

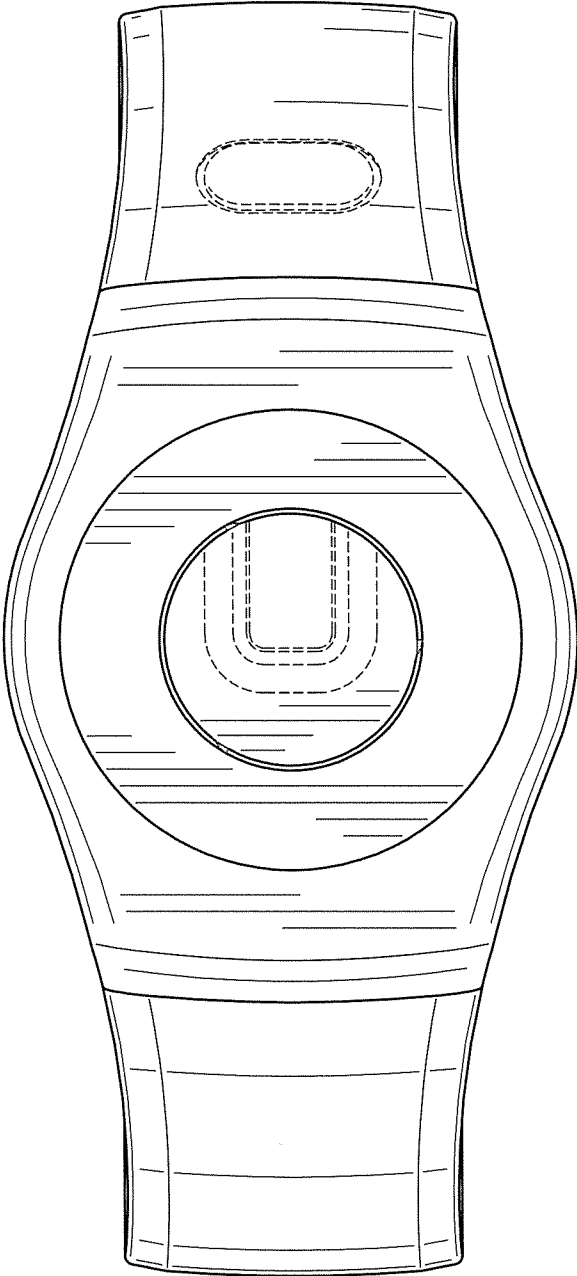


FIG. 12

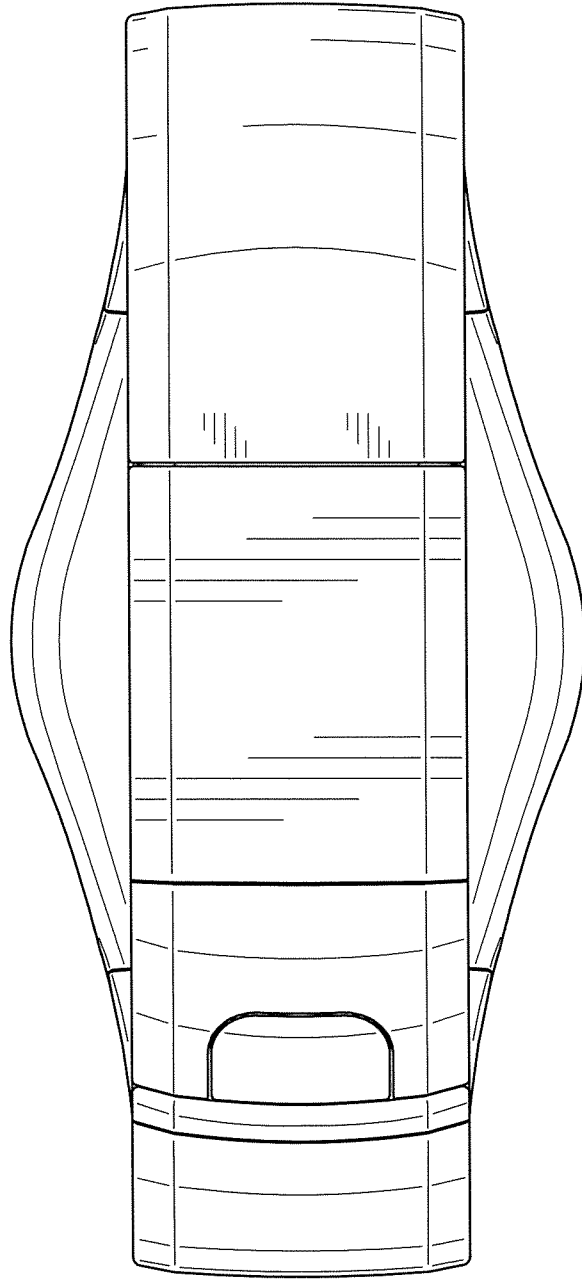


FIG. 13

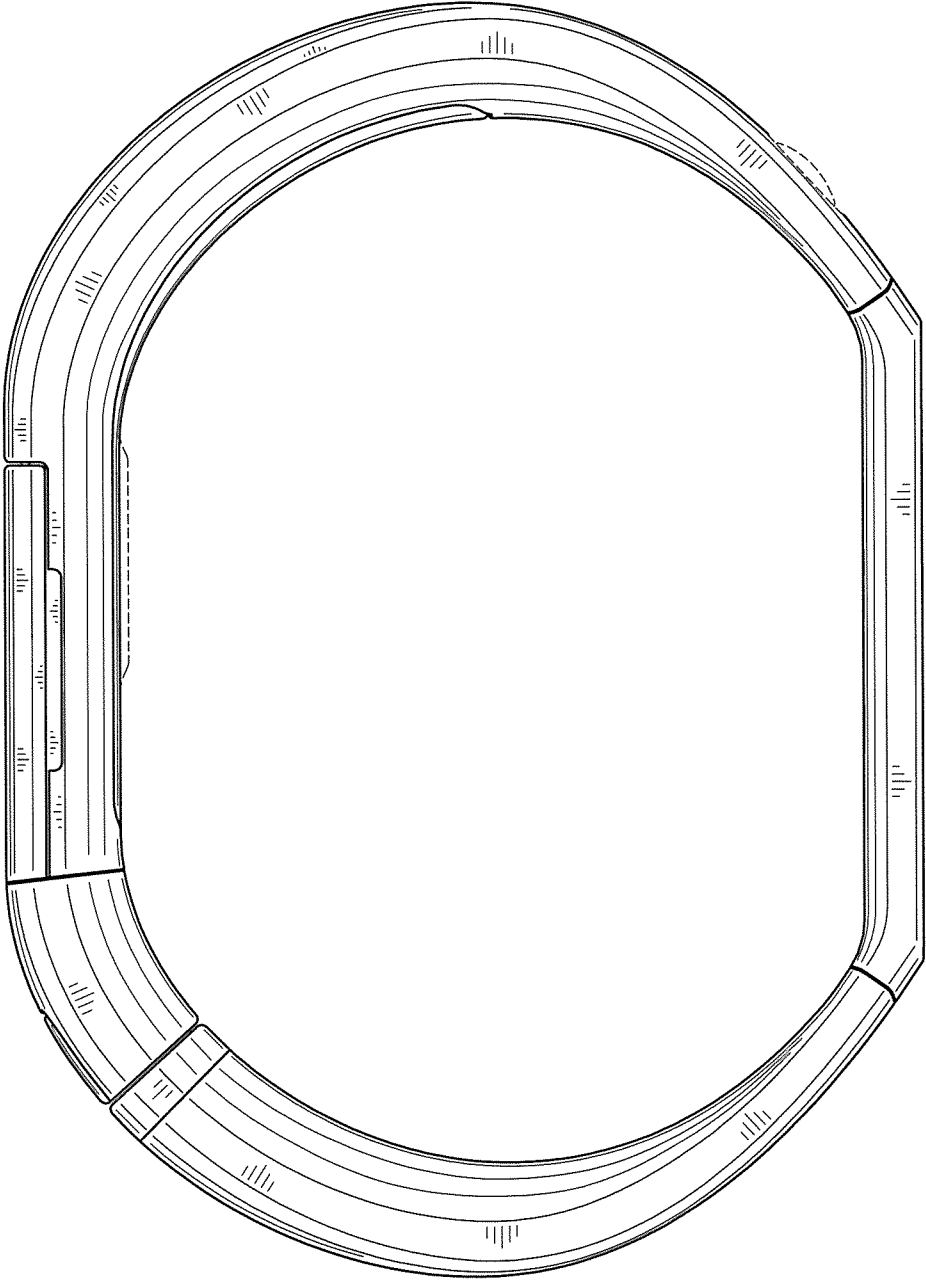


FIG. 14

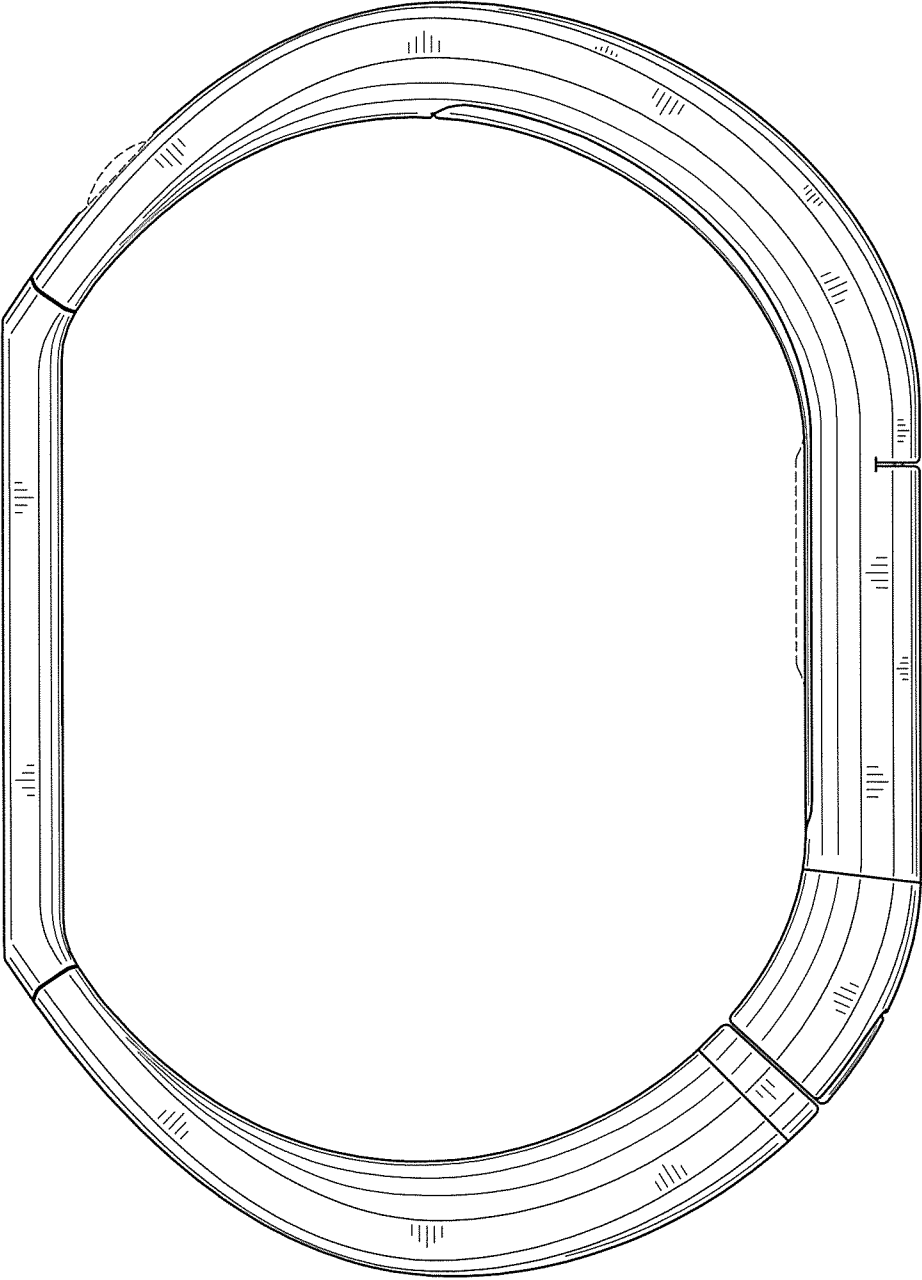


FIG. 15

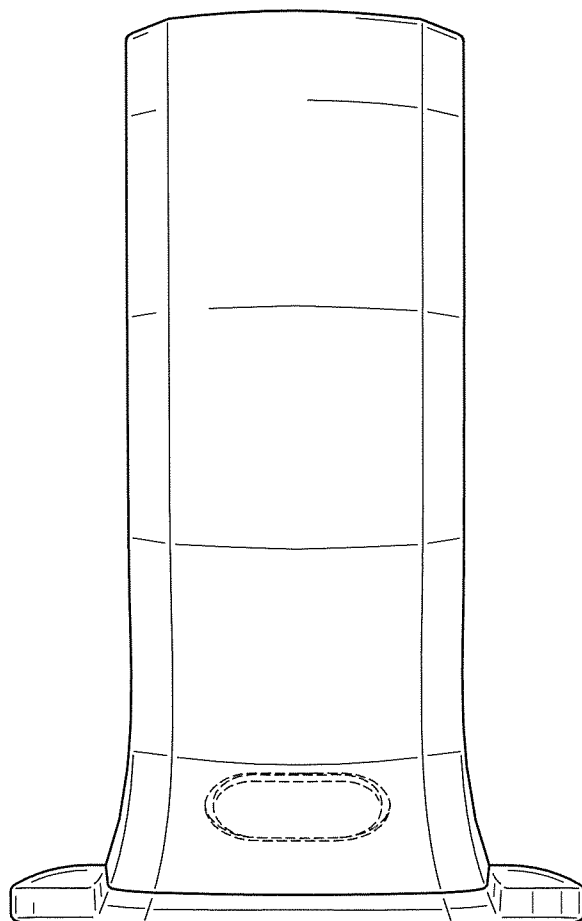


FIG. 16

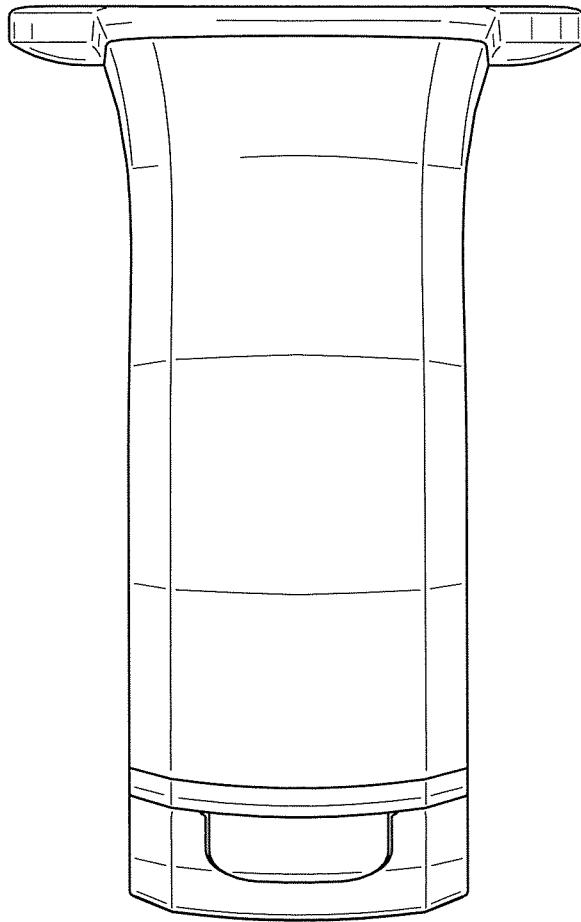


FIG. 17

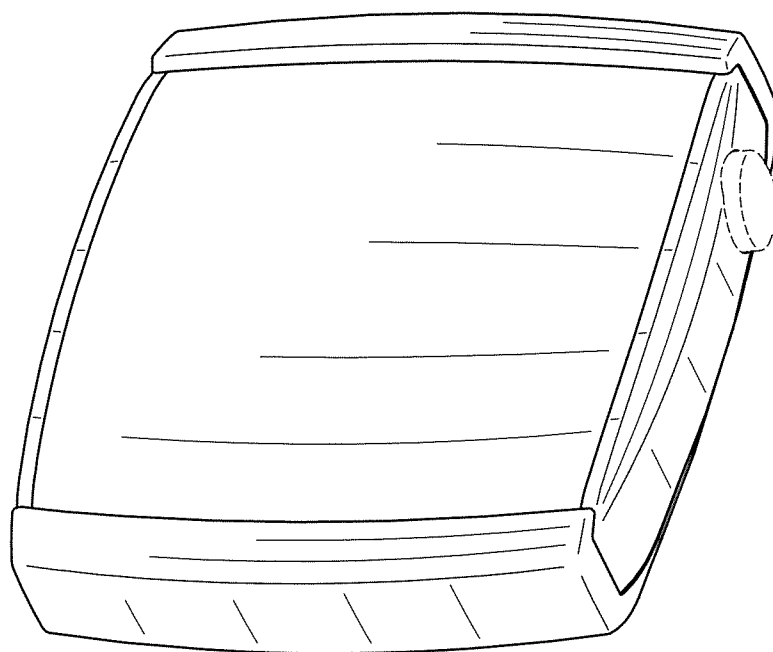


FIG. 18

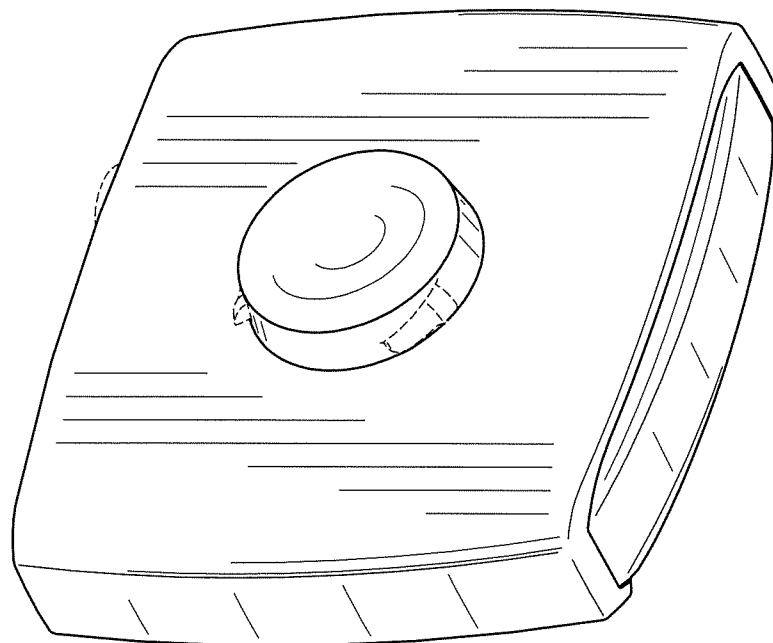


FIG. 19

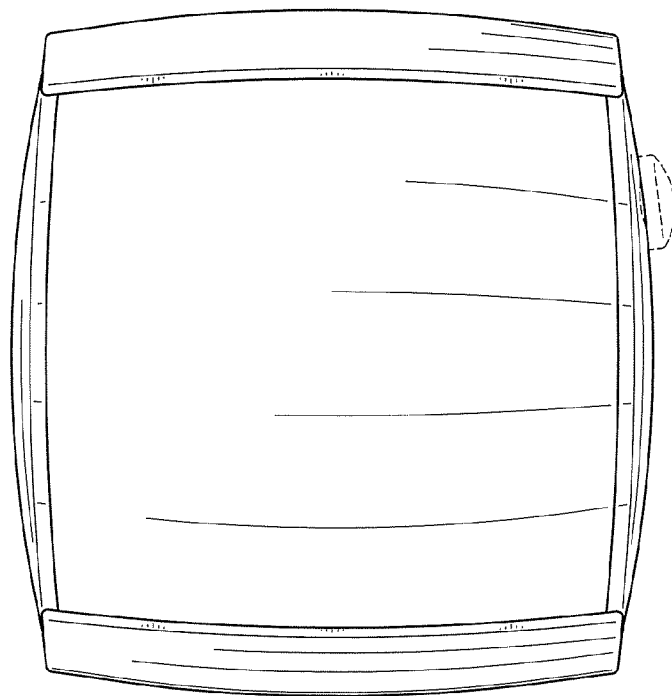


FIG. 20

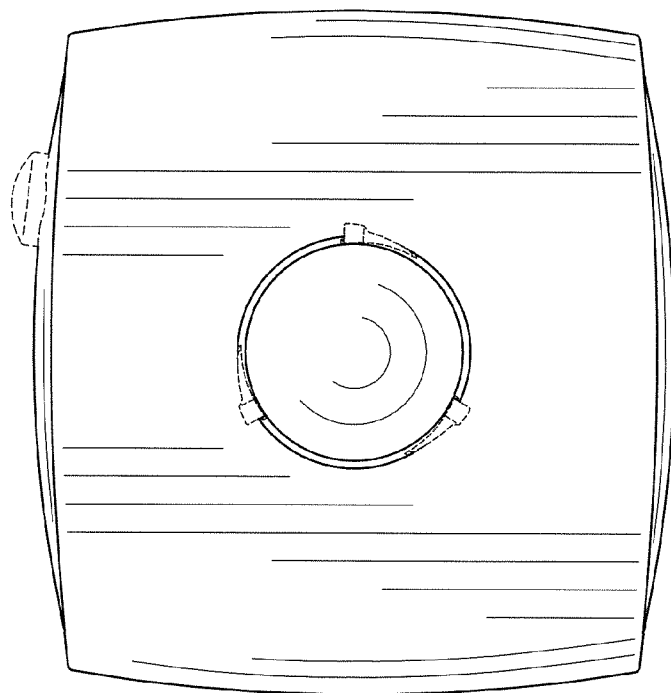


FIG. 21

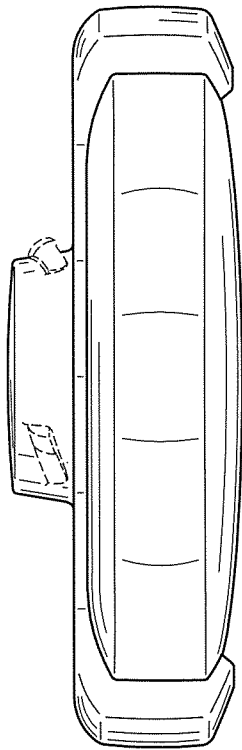


FIG. 22

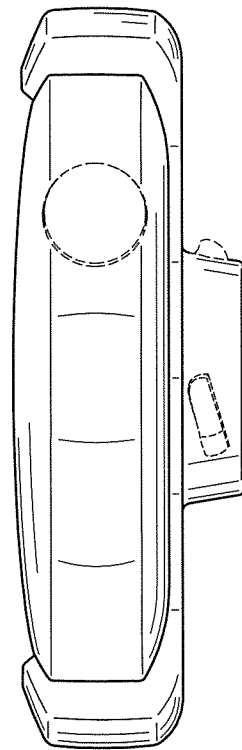


FIG. 23

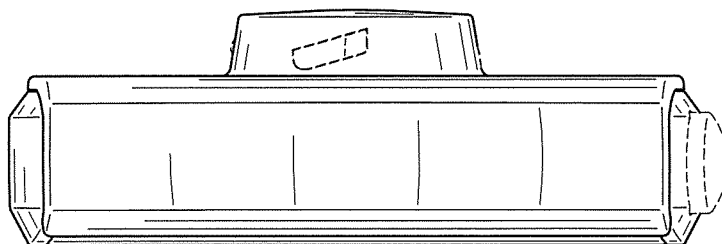


FIG. 24

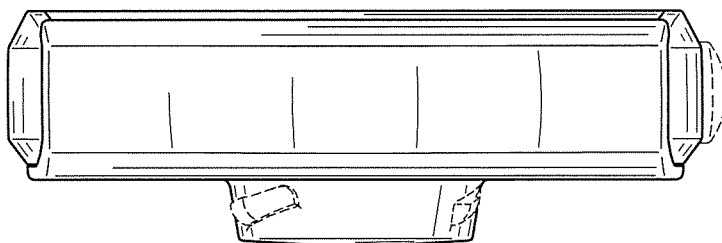


FIG. 25