



US00D770262S

(12) **United States Design Patent** (10) **Patent No.:** **US D770,262 S**  
**Ancona et al.** (45) **Date of Patent:** **\*\* Nov. 1, 2016**

(54) **EMERGENCY TOOL**

(71) Applicant: **BLACKBEAM LLC**, New York, NY (US)

(72) Inventors: **Bruce Ancona**, New York, NY (US);  
**Louis F. Henry**, Scarsdale, NY (US);  
**Chris Mellen**, New York, NY (US)

(73) Assignee: **Blackbeam LLC**, New York, NY (US)

(\*\*) Term: **14 Years**

(21) Appl. No.: **29/522,883**

(22) Filed: **Apr. 3, 2015**

(51) **LOC (10) Cl.** ..... **08-05**

(52) **U.S. Cl.**

USPC ..... **D8/105**

(58) **Field of Classification Search**

USPC ..... D8/16–21, 33, 40, 89, 105, 26, 85, 87,  
D8/81, 98; D3/208, 210, 211; D10/86;  
D29/124

CPC ..... B25F 1/006; A62B 3/00  
See application file for complete search history.

(56) **References Cited**

**U.S. PATENT DOCUMENTS**

D385,771 S *	11/1997	Chiang	.....	D8/105
D417,130 S *	11/1999	Hollinger	.....	D8/105
D499,003 S *	11/2004	Chiang	.....	D8/81
D520,840 S *	5/2006	Bhavnani	.....	D14/168
D577,562 S *	9/2008	Lin	.....	D8/105
D671,024 S *	11/2012	Stowers	.....	D10/86
D671,025 S *	11/2012	Stowers	.....	D10/86
D683,644 S *	6/2013	Stowers	.....	D10/86
D707,097 S *	6/2014	Kao	.....	D29/124
D714,123 S *	9/2014	Hicks	.....	D8/105
D734,118 S *	7/2015	Goldy	.....	D8/105

D751,874 S *	3/2016	Hills	.....	D8/105
2015/0033477 A1 *	2/2015	Rubin	.....	B25D 5/02 7/158
2015/0059529 A1 *	3/2015	Franken	.....	B25D 1/02 81/25

\* cited by examiner

*Primary Examiner* — Susan Bennett Hattan

*Assistant Examiner* — Janice Hallmark

(74) *Attorney, Agent, or Firm* — Ohlandt, Greeley,  
Ruggiero & Perle, L.L.P.

(57) **CLAIM**

The ornamental design for the emergency tool, as shown and described.

**DESCRIPTION**

FIG. 1 is a first side elevation view of the emergency tool of the present disclosure;

FIG. 2 is a second side elevation view of the emergency tool of the present disclosure;

FIG. 3 is a third side elevation view of the emergency tool of the present disclosure;

FIG. 4 is a fourth side elevation view of the emergency tool of the present disclosure;

FIG. 5 is a top view of the emergency tool of the present disclosure;

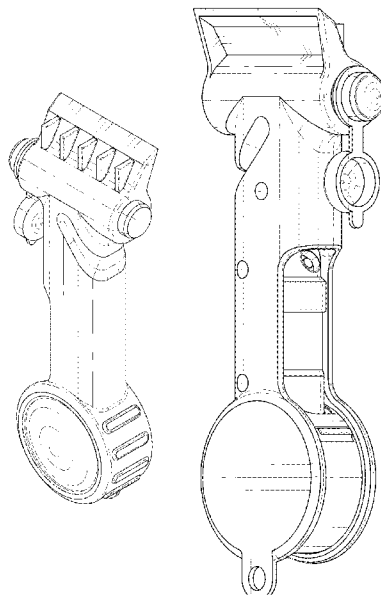
FIG. 6 is a bottom view of the emergency tool of the present disclosure;

FIG. 7 is a top, perspective view of the emergency tool of the present disclosure;

FIG. 8 is a side, perspective view of the emergency tool of the present disclosure; and,

FIG. 9 is a second, side perspective view of the emergency tool of the present disclosure shown in an alternate position of use with part of the emergency tool in an extended position.

**1 Claim, 7 Drawing Sheets**



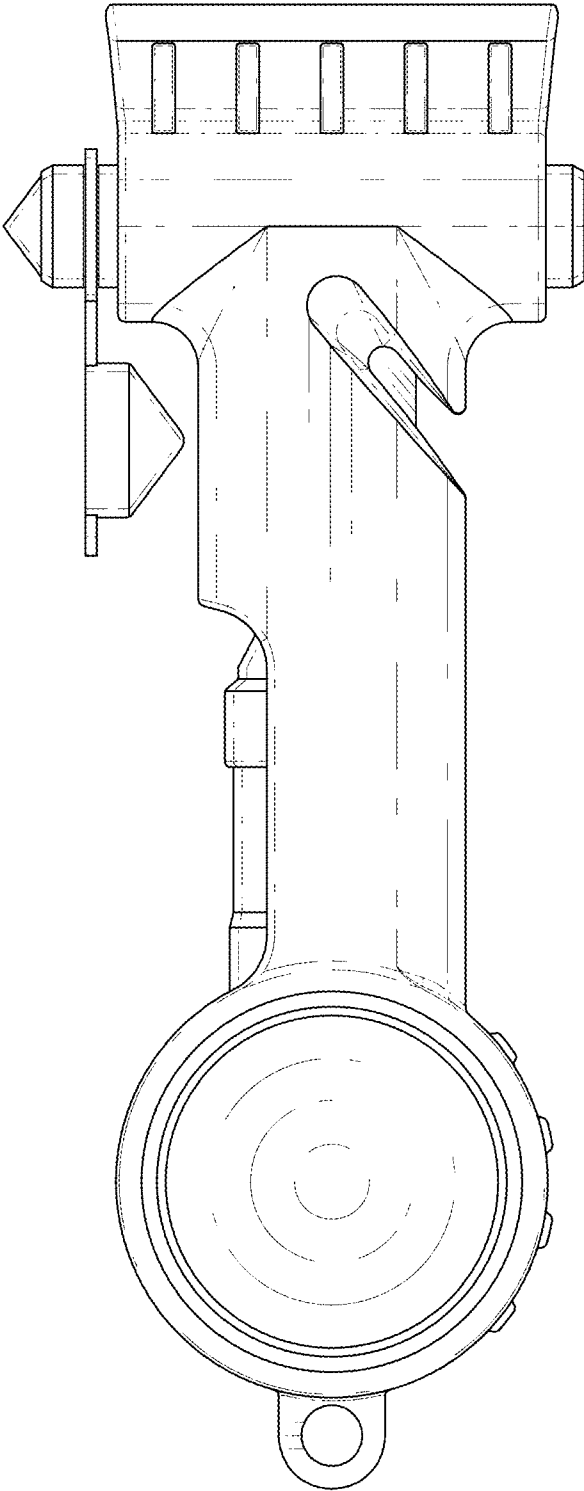


FIG. 1

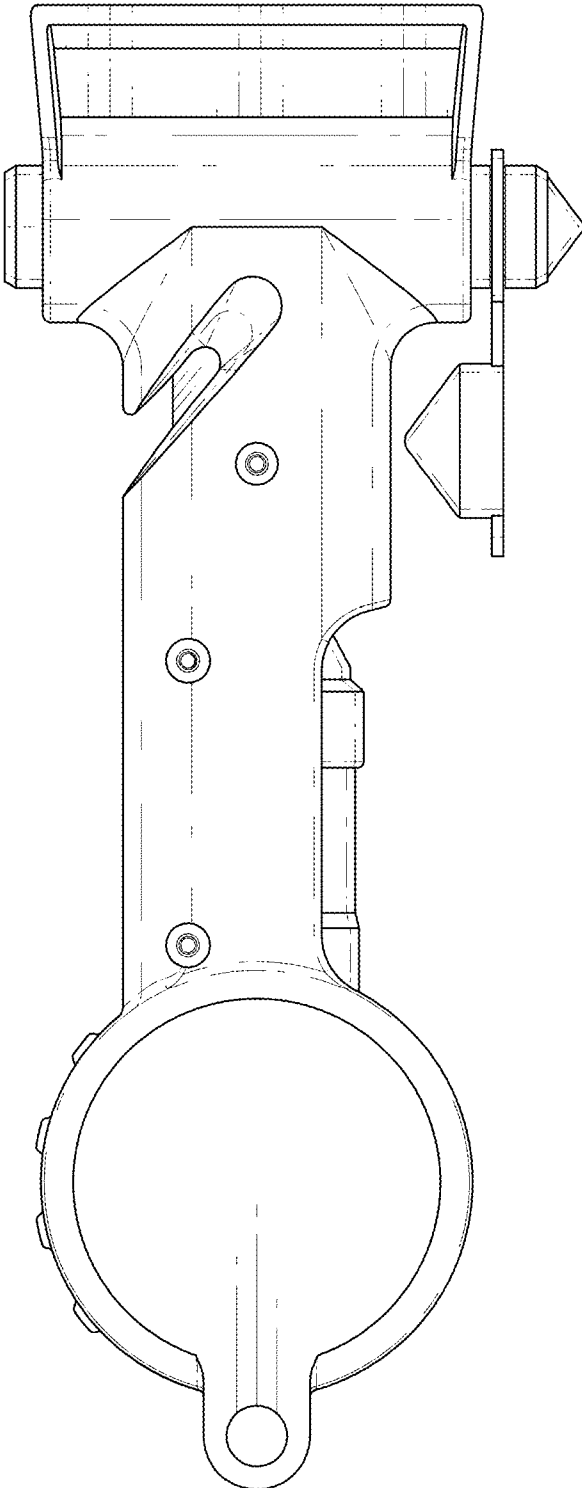


FIG. 2

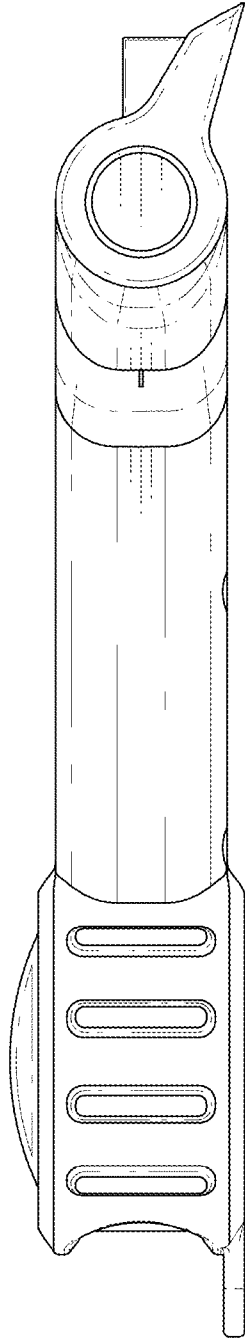


FIG. 3

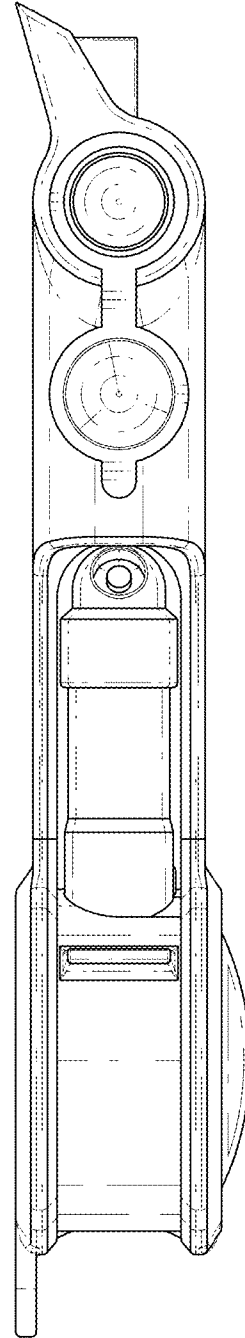
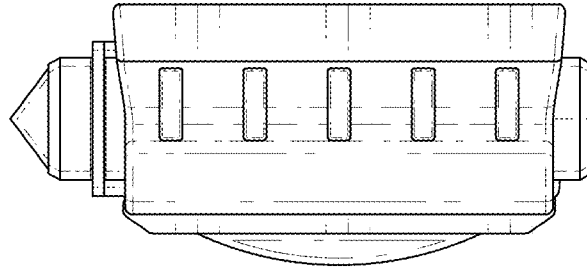
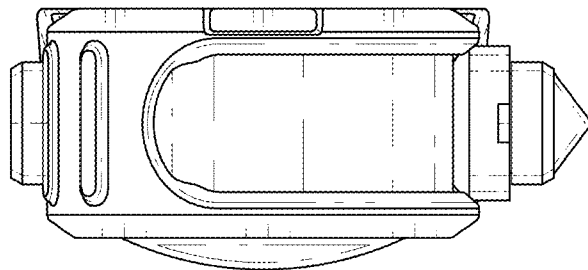


FIG. 4



*FIG. 5*



*FIG. 6*

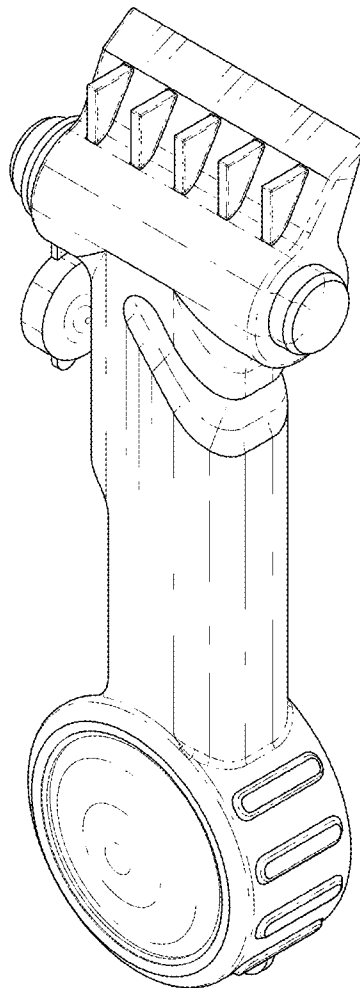


FIG. 7

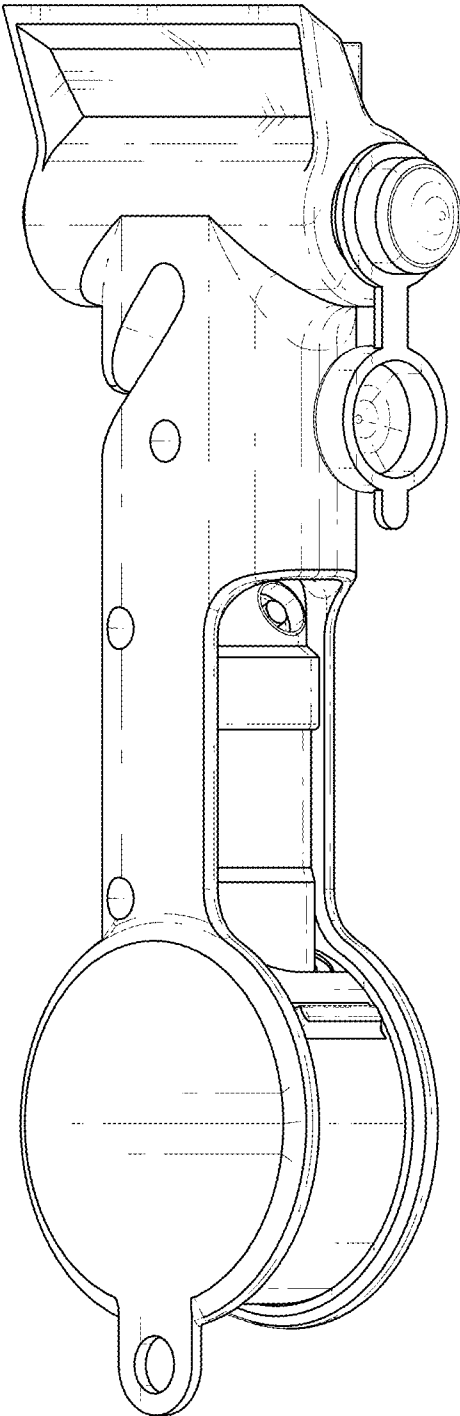


FIG. 8

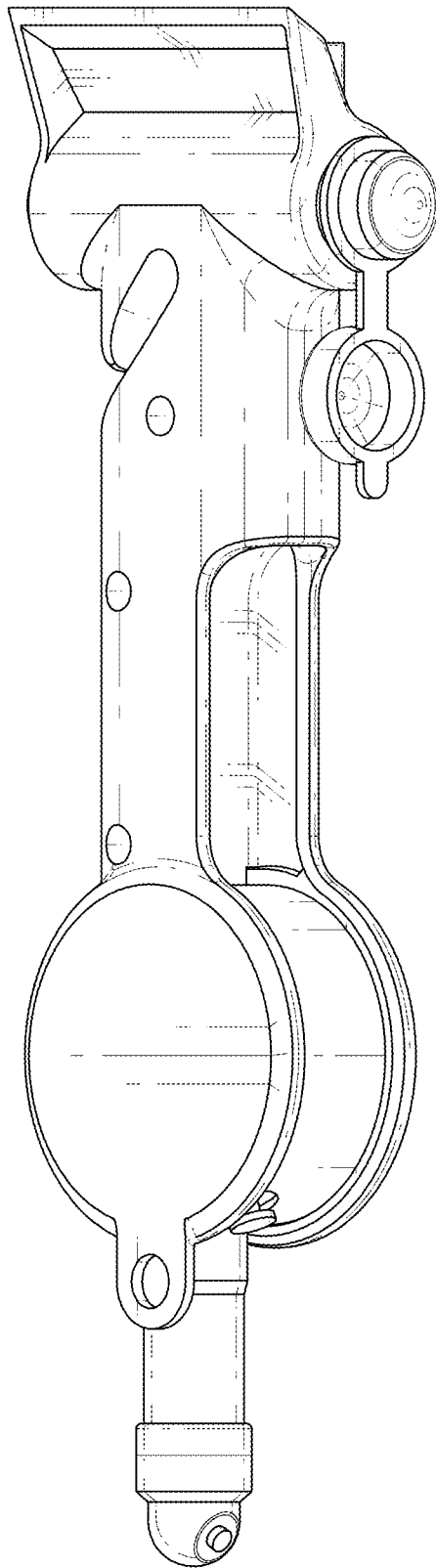


FIG. 9