

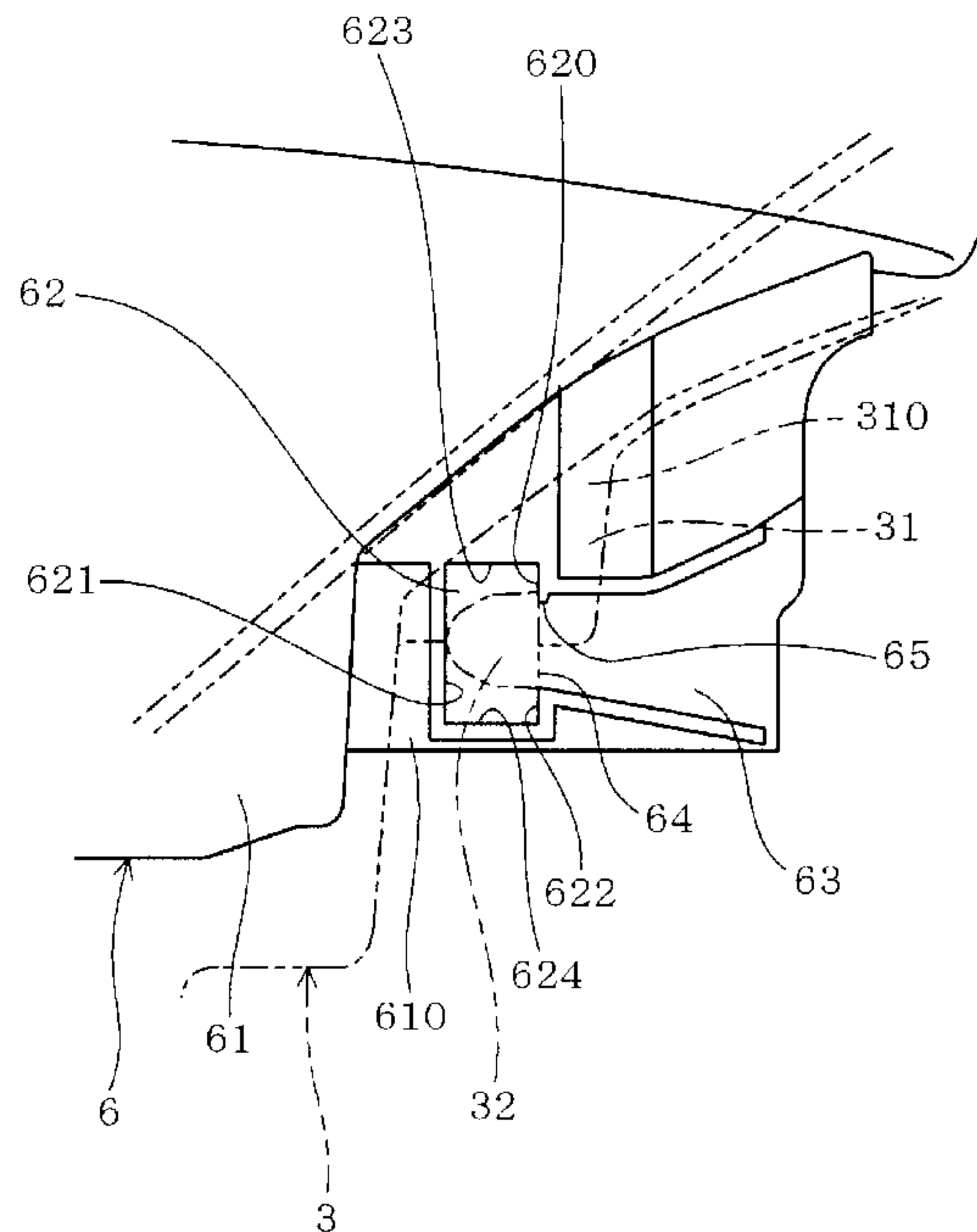


(86) Date de dépôt PCT/PCT Filing Date: 2009/05/08
 (87) Date publication PCT/PCT Publication Date: 2010/04/01
 (85) Entrée phase nationale/National Entry: 2010/08/24
 (86) N° demande PCT/PCT Application No.: JP 2009/058674
 (87) N° publication PCT/PCT Publication No.: 2010/035542
 (30) Priorité/Priority: 2008/09/26 (JP2008-247410)

(51) Cl.Int./Int.Cl. *B60R 7/04* (2006.01),
F16B 5/10 (2006.01)
 (71) Demandeur/Applicant:
TOYOTA SHATAI KABUSHIKI KAISHA, JP
 (72) Inventeurs/Inventors:
KOIZUMI MASAYUKI, JP;
FURUKAWA YUSAKU, JP
 (74) Agent: SMART & BIGGAR

(54) Titre : STRUCTURE DE MONTAGE POUR PARTIE INTERIEURE DE VEHICULE
 (54) Title: MOUNTING STRUCTURE FOR VEHICLE INTERIOR PARTS

(图 5)



(57) **Abrégé/Abstract:**

Amounting structure for vehicle interior parts includes a console member 3 and a shift panel having an upper panel and a lower panel 6. An insertion portion 61 that is inserted into a dent 31 formed in a rear end of the console member 3 is provided on a rear end of the lower panel 6. Left and right outer side surfaces 610 of the insertion portion 61 of the lower panel 6 and left and right inner side surfaces 310 of the dent 31 of the console member 3 are configured to be engageable by inserting engaging projections 32 into engaging recesses 62. The engaging recesses 62 are provided so as to restrict movements of the engaging projections 32 in their longitudinal direction, and to allow positional deviation of the engaging projections 32 in the vertical direction.

ABSTRACT

A mounting structure for vehicle interior parts includes a console member 3 and a shift panel having an upper panel and a lower panel 6. An insertion portion 61 that is inserted into a dent 31 formed in a rear end of the console member 3 is provided on a rear end of the lower panel 6. Left and right outer side surfaces 610 of the insertion portion 61 of the lower panel 6 and left and right inner side surfaces 310 of the dent 31 of the console member 3 are configured to be engageable by inserting engaging projections 32 into engaging recesses 62. The engaging recesses 62 are provided so as to restrict movements of the engaging projections 32 in their longitudinal direction, and to allow positional deviation of the engaging projections 32 in the vertical direction.

15

DESCRIPTION

MOUNTING STRUCTURE FOR VEHICLE INTERIOR PARTS

5 TECHNICAL FIELD

[0001] The present invention relates to a mounting structure for vehicle interior parts that includes a console member disposed on a floor of a vehicle and having a tip end engaged with an instrument panel, and a shift panel having a tip end engaged with the instrument panel and a rear end engaged with the console member.

BACKGROUND ART

[0002] Devices such as a shift device, and interior parts such as a console box are disposed in a console between a driver's seat and a passenger seat of a vehicle.

For example, Patent Document 1 discloses a structure for assembling a console box disposed such as to cover a shift device.

[0003] In development of design for a structure around a console of a vehicle of recent years, there is proposed, for example, a structure in which large interior parts having entire lengths of about 450 to 500 mm are assembled to each other.

25 For example, as for a console of a vehicle, there is a structure that one ends of two long interior parts are fixed

to a reference part (such as an instrument panel), the other ends are assembled to each other, and both of them are vertically connected to each other to be disposed.

[0004] However, such a structure causes the following
5 problems. That is, in the manufacture of large-size interior parts, such large-size parts is difficult to manufacture with high dimensional accuracy in length. Therefore, if, after one ends of such interior parts are fixed to a reference part, the other ends are assembled to each other, an assembled shape can
10 not constantly be secured due to variation in lengths of both the parts, and appearance design is degraded.

It seems to be possible to solve the above problem by carrying out operation such as positioning for adjusting a position of a part, but in this case, another problem such as
15 deterioration of assembling workability occurs.

[0005] Therefore, there has been a need for an assembling structure capable of easily assembling even large interior parts to each other, and capable of keeping a gap and the like in their assembled state within a given range to secure quality
20 such as appearance design.

[0006] Patent Document 1: Japanese Patent Application Laid-open No. 2008-74224

DISCLOSURE OF THE INVENTION

25 Problem to be Solved by the Invention

[0007] The present invention has been accomplished in

view of the above conventional problems, and it is an object of the invention to provide a mounting structure for vehicle interior parts, capable of enhancing assembling workability of a console member and a shift panel disposed above the console member which are large interior parts, and capable of keeping a gap and the like in their assembled state within a given range to secure quality such as appearance design.

MEANS FOR SOLVING THE PROBLEM

10 [0008] The present invention provides a mounting structure for vehicle interior parts, comprising a console member disposed on a floor of a vehicle and having a tip end engaged with an instrument panel, and a shift panel disposed above the console member such that a space is provided therebetween, and having a tip end engaged with the instrument panel and a rear end engaged with the console member, wherein the shift panel is formed by combining an upper panel constituting an upper side of the shift panel and a lower panel constituting a lower side of the shift panel,

20 an insertion portion that is inserted into a dent formed in a rear end of the console member is provided on a rear end of the lower panel,

left and right outer side surfaces of the insertion portion of the lower panel and left and right inner side surfaces of the dent of the console member are configured to be engageable by inserting engaging projections provided on

ones of them into engaging recesses provided on the others,

the engaging recesses are provided so as to restrict movements of the engaging projections in their longitudinal direction and to allow positional deviation of the engaging
5 projections in the vertical direction in a state where the engaging projections are engaged with the engaging recesses,

a console engaging portion that engages with a console engaged portion provided in the instrument panel is provided on a tip end of the console member, and the console engaging
10 portion and the console engaged portion are engaged with each other so as to allow positional deviation of the console member in the longitudinal direction with respect to the instrument panel,

a lower panel engaging portion that engages with a lower
15 panel engaged portion provided in the instrument panel is provided on a tip end of the lower panel, and the lower panel engaging portion and the lower panel engaged portion are engaged with each other so as to restrict movements of the lower panel in the vertical and longitudinal directions with respect
20 to the instrument panel, and

a tip end upper surface of the console member and a tip end lower surface of the lower panel are abutted against each other or are disposed with a gap formed therebetween without engaging with each other.

25 [0009] According to the mounting structure for vehicle interior parts of the present invention, the console member

and the shift panel (especially the lower panel) disposed above
the console member can be assembled to each other in the
following procedure, for example. With this, it is possible
to solve the conventional problems such as deterioration in
5 the assembling workability and degradation of the appearance
design, and to enhance the assembling workability, as well as
to secure the appearance design.

[0010] More specifically, the lower panel engaging
portion provided on a tip end of the lower panel and the lower
10 panel engaged portion provided in the instrument panel are
engaged with each other. According to this, the tip end of
the lower panel is engaged with the instrument panel in a state
where movements thereof in the vertical and longitudinal
directions are restricted with respect to the position of the
15 instrument panel.

[0011] Next, the insertion portion provided on the rear
end of the lower panel is inserted into the dent formed in the
rear end of the console member. Both the members are engaged
with each other by inserting the engaging projection provided
20 on one of them into the engaging recess formed on the other.
According to this, the rear end of the console member is engaged
with the rear end of the lower panel in a state where movement
thereof in the longitudinal direction is restricted with
respect to the position of the lower panel. When positional
25 deviation in the vertical direction is generated between the
lower panel and the console member, the vertical positional

deviation is absorbed by the engaging recess and the engaging projection.

[0012] Simultaneously, the console engaging portion provided on the tip end of the console member and the console
5 engaged portion provided in the instrument panel are engaged with each other. This enables the tip end of the console member to be engaged with the instrument panel. When positional deviation in the longitudinal direction is generated between the console member and the instrument panel, the longitudinal
10 positional deviation is absorbed by the console engaging portion and the console engaged portion.

[0013] The tip end upper surface of the console member and the tip end lower surface of the lower panel are abutted against each other or are disposed with a gap formed
15 therebetween without engaging with each other. That is, the tip end of the console member and the tip end of the lower panel are separately assembled to the instrument panel without engaging with each other.

[0014] According to the mounting structure for vehicle
20 interior parts, as described above, when the console member and the shift panel (especially the lower panel) disposed above the console member, which are large interior parts, are to be assembled to each other, the rear end of the console member can be engaged with the rear end of the lower panel using the
25 position of the lower panel engaged with the instrument panel as a reference without carrying out operation such as

positioning for adjusting positions of both the members.

This makes it possible to easily assemble the console member and the shift panel to each other, and also to enhance the workability when both the members are assembled to each other. In addition, a gap or the like in the assembled state of both the members can fall within a given range, and the variation can be reduced, which enables quality such as appearance design to be secured.

10 BRIEF DESCRIPTION OF THE DRAWINGS

[0015] Fig. 1 is an explanatory view showing a mounting structure for vehicle interior parts according to an embodiment ;

Fig. 2 is an explanatory view showing a structure of a lower panel according to the embodiment;

Fig. 3 is an explanatory view showing a structure of a console member according to the embodiment;

Fig. 4 is an explanatory view showing a state where the console member and the lower panel are assembled;

Fig. 5 is an explanatory view showing a state where an engaging projection and an engaging recess are engaged according to the embodiment; and

Fig. 6 is an explanatory view showing a positional relation between a tip end of the console member and a tip end of the lower panel.

BEST MODE FOR CARRYING OUT THE INVENTION

[0016] In the present invention, the console member is disposed on a floor of a vehicle, whereby a position thereof in the vertical direction is determined. Therefore, a
5 positional deviation between the lower panel and the console member in the vertical direction means a positional deviation of the lower panel in the vertical direction with respect to the position of the console member.

[0017] A pair of the engaging projections may be provided
10 on left and right inner side surfaces of the dent of the console member, and a pair of the engaging recesses may be provided in left and right outer side surfaces of the insertion portion of the lower panel.

In this case, it is relatively easy to form each of parts,
15 and the left and right outer side surfaces of the insertion portion and the left and right inner side surfaces of the dent that are opposite to the outer side surfaces can easily be engaged with each other.

[0018] It is preferable that an inner side surface of each
20 of the engaging recesses is configured to be surrounded by a vertically formed front end inner side surface and rear end inner side surface, and a longitudinally formed upper end inner side surface and lower end inner side surface, wherein a cross section of the engaging recess, perpendicular to the direction
25 of depth, has a tetragonal shape, and in a state where the engaging projection is engaged, movement of the engaging

projection in the longitudinal direction can be restricted by supporting the engaging projection by the front end inner side surface and the rear end inner side surface and positional deviation of the engaging projection in the vertical direction
5 can be allowed by such a design that a distance between the upper end inner side surface and the lower end inner side surface is greater than a vertical width of the engaging projection.

In this case, the engaging recess can sufficiently
10 restrict movement of the engaging projection in its longitudinal direction, and can sufficiently allow positional deviation in the vertical direction in a state where the engaging projections are engaged with the engaging recesses.

[0019] It is preferable that guide grooves for guiding
15 the engaging projections into the engaging recesses are provided in left and right outer side surfaces of the insertion portion of the lower panel so as to communicate with the outer side surfaces from the side of the rear end inner side surfaces of the engaging recesses, wherein a width of each of the guide
20 grooves is gradually increased rearward from the rear end inner side surface of the engaging recess.

In this case, it is possible to smoothly guide and insert the engaging projection into the engaging recess via the guide groove only by relatively moving the rear end of the console
25 member close to the rear end of the lower panel.

[0020] It is preferable that a movement-preventing

projection is provided on an insertion port at which the guide groove and the engaging recess intersect with each other. The movement-preventing projection prevents the engaging projection engaged with the engaging recess from moving from
5 the insertion port toward the guide groove.

In this case, the movement-preventing projection prevents the engaging projection inserted into the engaging recess from being easily pulled out from the engaging recess.

[0021] It is preferable that the console member includes
10 a falling angle portion formed from a tip end upper surface and a falling surface falling downward from a rear end of the tip end upper surface, the lower panel includes a rising angle portion formed between the tip end lower surface and a rising surface rising upward from a rear end of the tip end lower
15 surface, and the falling angle portion is located in front of the rising angle portion in a longitudinal positional relation.

In this case, the tip end upper surface of the console member enters below the lower panel and is not exposed. This
20 allows enhancement of the appearance design between the tip end of the console member and the tip end of the lower panel.

EMBODIMENT

[0022] A mounting structure for vehicle interior parts
25 according to an embodiment of the present invention will be described with reference to the drawings.

As shown in Fig. 1, the mounting structure 1 for vehicle interior parts of the present embodiment comprises a console member 3 disposed on a floor 10 of the vehicle and having a tip end thereof engaged with a lower portion of an instrument panel 2; and a shift panel 4 disposed above the console member 3 such that a space is provided therebetween and having a tip end thereof engaged with the instrument panel 2 and a rear end thereof engaged with the console member 3.

A rear console member 11 is arranged at the rear side of the console member 3. An arm rest member 12 is arranged on an upper portion of the rear console member 11.

[0023] As shown in Fig. 1, the shift panel 4 is formed by combining an upper panel 5 constituting an upper side of the shift panel 4 and a lower panel 6 constituting a lower side of the shift panel 4. A shift device (not shown) is accommodated in the shift panel 4. A shift lever 41 connected to the shift device is provided to project upwardly from inside of the shift panel 4 such as to penetrate the upper panel 5.

[0024] As shown in Fig. 2, an insertion portion 61 projecting downward is provided on a rear end of the lower panel 6 to be inserted into a later-described dent 31 formed in a rear end of the console member 3. A pair of engaging recesses 62 is formed in left and right outer side surfaces 610 of the insertion portion 61 to be dented inward.

[0025] As shown in Fig. 3, the dent 31 is formed in a rear end of the console member 3 to which the above-described

insertion portion 61 provided on the rear end of the lower panel 6 is inserted. The dent 31 includes a through hole 311 through which a part of the insertion portion 31 is inserted, and a supporting surface 312 that supports a lower surface of the insertion portion 31. A pair of engaging projections 32 inwardly projects from left and right inner side surfaces 310 of the dent 31. The console member 3 includes an accommodating portion 33 in which small articles and the like are accommodated.

10 [0026] As shown in Figs. 4 and 5, the left and right outer side surfaces 610 of the insertion portion 61 of the lower panel 6 and the left and right inner side surfaces 310 of the dent 31 of the console member 3 that are opposite to the outer side surfaces 610 are configured to be engageable by inserting the engaging projections 32 provided in the dent 31 into the engaging recesses 62 formed in the insertion portion 61. That is, the engaging recesses 62 and the engaging projections 32 are configured to be engageable by inserting the engaging projections 32 into the engaging recesses 62.

20 [0027] As shown in Fig. 5, an inner side surface 620 of the engaging recess 62 is configured to be surrounded by a vertically formed front end inner side surface 621 and rear end inner side surface 622, and a longitudinally formed upper end inner side surface 623 and lower end inner side surface 624, wherein a cross section of the engaging recess 62 that intersects with a depth direction has a tetragonal shape. The

engaging recesses 62 are provided so as to restrict movements of the engaging projections 32 in their longitudinal direction and to allow the positional deviation in the vertical direction in a state where the engaging projections 32 are engaged with
5 the engaging recesses 62.

[0028] More specifically, as shown in Fig. 5, the engaging recesses 62 can restrict movements of the engaging projections 32 in their longitudinal direction by supporting the engaging projections 32 with the front end inner side surface 621 and
10 the rear end inner side surface 622 in a state where the engaging recess 62 and the engaging projections 32 are engaged with each other. In the engaging recess 62, a distance between the upper end inner side surface 623 and the lower end inner side surface 624 is greater than a vertical width of the engaging projection
15 32. This makes it possible to allow positional deviation of the engaging projection 32 in the vertical direction.

[0029] As shown in Figs. 2 and 5, guide grooves 63 are provided on the left and right outer side surfaces 610 of the insertion portion 61 so as to communicate with the engaging
20 recess 62 from the rear end inner side surface 622 of the engaging recess 62. The guide grooves 63 guide the engaging projections 32 into the engaging recesses 62 when the engaging projections 32 are inserted into the engaging recesses 62. A groove width of each of the guide grooves 63 is gradually
25 increased rearward from the rear end inner side surface 622 of the engaging recess 62.

As shown in Fig. 5, a movement-preventing projection 65 is provided on an insertion port 64 at which the guide groove 63 and the engaging recess 62 intersect with each other. The movement-preventing projection 65 prevents the engaging
5 projections 32 engaged with the engaging recess 62 from moving from the insertion port 64 toward the guide groove 63.

[0030] As shown in Figs. 1 and 2, a lower panel engaging portion 66 that engages with a lower panel engaged portion (not shown) provided in the instrument panel 2 is provided on a tip
10 end of the lower panel 6. The lower panel engaging portion 66 and the lower panel engaged portion are engaged with each other so as to restrict movement of the lower panel 6 in vertical and longitudinal directions with respect to the instrument panel 2.

15 [0031] As shown in Figs. 1 and 3, a console engaging portion 36 that engages with a console engaged portion (not shown) provided in a lower portion of the instrument panel 2 is provided on a tip end of the console member 3. The console engaging portion 36 and the console engaged portion are engaged
20 with each other so as to allow positional deviation of the console member 3 in the longitudinal direction with respect to the instrument panel 2.

[0032] As shown in Figs. 2 and 6, the lower panel 6 includes a rising angle portion 69 formed between the tip end lower
25 surface 691 and a rising surface 692 that rises upward from a rear end of the tip end lower surface 691.

As shown in Figs. 3 and 6, the console member 3 includes a falling angle portion 39 formed from a tip end upper surface 391 and a falling surface 392 falling downward from a rear end of the tip end upper surface 391.

5 [0033] As shown in Fig. 6, the rising angle portion 69 provided on the tip end of the lower panel 6 is located in the rear of the falling angle portion 39 provided on the tip end of the console member 3 in a longitudinal positional relation.

The tip end lower surface 691 of the lower panel 6 and
10 the tip end upper surface 391 of the console member 3 are disposed with a gap formed therebetween without engaging with each other.

[0034] Next, advantageous effect of the mounting
structure 1 for vehicle interior parts of the embodiment will
15 be described.

The mounting structure 1 for vehicle interior parts of the embodiment can assemble the console member 3 and the shift panel 4 (especially the lower panel 6) in the following procedure. According to this, it is possible to solve the
20 conventional problems such as deterioration in the assembling workability and degradation of the appearance design, and to enhance the assembling workability, and to secure the quality of appearance design.

[0035] More specifically, as shown in Fig. 1, the lower
25 panel engaging portion 66 provided on the tip end of the lower panel 6 and the lower panel engaged portion (not shown) provided

in the instrument panel 2 are engaged with each other.
According to this, the tip end of the lower panel 6 is engaged
with the instrument panel 2 with respect to the position of
the instrument panel 2 in a state where movements in vertical
5 and longitudinal directions are restricted.

[0036] Next, as shown in Fig. 4, the insertion portion
61 provided on the rear end of the lower panel 6 is inserted
into the dent 31 provided in the rear end of the console member
3. In reality, a part of the insertion portion 61 is inserted
10 into the through hole 311 (Fig. 3) to support a lower surface
of the insertion portion 61 with the supporting surface 312
(Fig. 3).

[0037] As shown in Fig. 5, the engaging projection 32 is
inserted into the engaging recess 62, thereby engaging both
15 members with each other. More specifically, the rear end of
the console member 3 is moved to be close to the rear end of
the lower panel 6, and the engaging projection 32 is inserted
into the engaging recess 62 by passing the engaging projection
32 through the insertion port 64 from the guide groove 63. With
20 this, the rear end of the lower panel 6 and the rear end of
the console member 3 are engaged with each other with respect
to the position of the lower panel 6 in a state where the
movement in the longitudinal direction is restricted.

The engaging projections 32 inserted into the engaging
25 recess 62 can not easily move from the insertion port 64 toward
the guide groove 63 by the movement-preventing projection 65.

[0038] The console member 3 is arranged on the floor 10 of the vehicle, whereby its position in the vertical direction is determined. When positional deviation of the lower panel 6 and the console member 3 from each other is generated in the 5 vertical direction, the positional deviation in the vertical direction is absorbed by the engaging recess 62 and the engaging projection 32.

[0039] The console engaging portion 36 provided on the tip end of the console member 3 and the console engaged portion 10 (not shown) provided in the lower portion of the instrument panel 2 are engaged with each other at the same time when the rear end of the console member 3 is engaged with the rear end of the lower panel 6. According to this, the tip end of the console member 3 is engaged with the lower portion of the 15 instrument panel 2. When positional deviation of the console member 3 and the lower portion of the instrument panel 2 is generated in the longitudinal direction, this positional deviation in the longitudinal direction is absorbed by the console engaging portion 36 and the console engaged portion.

20 [0040] As shown in Fig. 6, on the other hand, the tip end upper surface 391 of the console member 3 and the tip end lower surface 691 of the lower panel 6 are disposed with a gap formed therebetween without engaging with each other. That is, the tip end of the console member 3 and the tip end of the lower 25 panel 6 are separately assembled to the instrument panel 2 without engaging with each other.

After the lower panel 6 and the console member 3 are assembled to each other, the upper panel 5 of the shift panel 4 is assembled to the lower panel 6.

[0041] As described above, according to the mounting structure 1 of the embodiment, when the console member 3 and the shift panel 4 (especially the lower panel 6) disposed above the console member 3, which are large interior parts, are assembled to each other, the rear end of the console member 3 can be engaged with the rear end of the lower panel 6 with respect to the position of the lower panel 6 engaged with the instrument panel 2 without carrying out operation such as positioning for adjusting positions of both members.

Therefore, it is possible to easily assemble the console member 3 and the shift panel 4 to each other, and to enhance the assembling workability of these members. A gap or the like formed in the assembled state of both members can fall within a given range, and the deviation can be reduced, which enables quality such as appearance design to be secured.

[0042] In this embodiment, as shown in Figs. 2 and 5, the guide grooves 63 for guiding the engaging projections 32 into the engaging recesses 62 are provided on the left and right outer side surfaces 610 of the insertion portion 61 of the lower panel 6 so as to communicate with the engaging recess 62 from the rear end inner side surface 622 of the engaging recess 62. The groove width of each of the guide grooves 63 is gradually increased rearward from the rear end inner side surface 622

of the engaging recess 62. According to this, it is possible to smoothly guide and insert the engaging projections 32 into the engaging recesses 62 via the guiding grooves 63 only by moving the rear end of the console member 3 close to the rear
5 end of the lower panel 6.

[0043] As shown in Fig. 5, the movement-preventing projection 65 is provided on the insertion port 64 at which the guide groove 63 and the engaging recess 62 intersect with each other. The movement-preventing projection 65 prevents
10 the engaging projections 32 engaged with the engaging recess 32 from moving from the insertion port 64 toward the guide groove 63. With this configuration, the movement-preventing projection 65 prevents the engaging projection 32 inserted into the engaging recess 62 from being easily pulled out from
15 the engaging recess 62.

[0044] As shown in Fig. 6, the console member 3 includes a falling angle portion 39 formed from a tip end upper surface 391 and a falling surface 392 falling downward from the rear end of the tip end upper surface 391. The lower panel 6 includes
20 the rising angle portion 69 formed between the tip end lower surface 691 and the rising surface 692 rising upward from the rear end of the tip end lower surface 691. The falling angle portion 39 is located in front of the rising angle portion 69 in a longitudinal positional relation. According to this, the
25 tip end upper surface 391 of the console member 3 enters below the lower panel 6 and is not exposed. Therefore, the

appearance design between the tip end of the console member 3 and the tip end of the lower panel 6 can be enhanced.

CLAIMS

1. A mounting structure for vehicle interior parts,
comprising a console member disposed on a floor of a vehicle
5 and having a tip end engaged with an instrument panel, and a
shift panel disposed above the console member such that a space
is provided therebetween, and having a tip end engaged with
the instrument panel and a rear end engaged with the console
member, wherein

10 the shift panel is formed by combining an upper panel
constituting an upper side of the shift panel and a lower panel
constituting a lower side of the shift panel,

an insertion portion that is inserted into a dent formed
in a rear end of the console member is provided on a rear end
15 of the lower panel,

left and right outer side surfaces of the insertion
portion of the lower panel and left and right inner side
surfaces of the dent of the console member, which confront the
left and right outer side surfaces of the insertion portion are
20 configured to be engageable by inserting engaging projections
provided on ones of them into engaging recesses formed in the
others,

the engaging recesses are provided so as to restrict
movements of the engaging projections in their longitudinal
25 direction and to allow positional deviation in the vertical
direction in a state where the engaging projections are engaged

with the engaging recesses,

a console engaging portion that engages with a console engaged portion provided in the instrument panel is provided on a tip end of the console member, and the console engaging
5 portion and the console engaged portion are engaged with each other so as to allow positional deviation of the console member in the longitudinal direction with respect to the instrument panel,

a lower panel engaging portion that engages with a lower
10 panel engaged portion provided in the instrument panel is provided on a tip end of the lower panel, and the lower panel engaging portion and the lower panel engaged portion are engaged with each other so as to restrict movements of the lower panel in the vertical and longitudinal directions with respect
15 to the instrument panel, and

a tip end upper surface of the console member and a tip end lower surface of the lower panel are abutted against each other or are disposed with a gap formed therebetween without engaging with each other.

20 2. The mounting structure for vehicle interior parts according to claim 1, wherein a pair of the engaging projections is provided on the left and right inner side surfaces of the dent of the console member, and

a pair of the engaging recesses is provided in the left
25 and right outer side surfaces of the insertion portion of the lower panel.

3. The mounting structure for vehicle interior parts according to claim 2, wherein an inner side surface of each of the engaging recesses is configured to be surrounded by a vertically formed front end inner side surface and rear end inner side surface, and a longitudinally formed upper end inner side surface and lower end inner side surface, a cross section of the engaging recess that intersects with a depth direction has a tetragonal shape, and

in a state where the engaging projection is engaged, movement of the engaging projection in the longitudinal direction is restricted by supporting the engaging projection with the front end inner side surface and the rear end inner side surface, and positional deviation of the engaging projection in the vertical direction is allowed by such a design that a distance between the upper end inner side surface and the lower end inner side surface is greater than a vertical width of the engaging projection.

4. The mounting structure for vehicle interior parts according to claim 3, wherein guide grooves for guiding the engaging projections into the engaging recesses are provided in the left and right outer side surfaces of the insertion portion of the lower panel so as to communicate with the engaging recess from the side of the rear end inner side surfaces of the engaging recesses, and

the guide grooves are each provided such that a width thereof is gradually increased rearward from the rear end inner

side surface of the engaging recess.

5. The mounting structure for vehicle interior parts according to claim 4, wherein a movement-preventing projection is provided on an insertion port at which the guide groove and
5 the engaging recess intersect with each other for preventing the engaging projection engaged with the engaging recess from moving from the insertion port toward the guide groove.

6. The mounting structure for vehicle interior parts according to any one of claims 1 to 5, wherein the console member
10 includes a falling angle portion formed from a tip end upper surface and a falling surface falling downward from a rear end of the tip end upper surface,

the lower panel includes a rising angle portion formed between the tip end lower surface and a rising surface rising
15 upward from a rear end of the tip end lower surface, and

the falling angle portion is located in front of the rising angle portion in a longitudinal positional relation.

FIG. 2

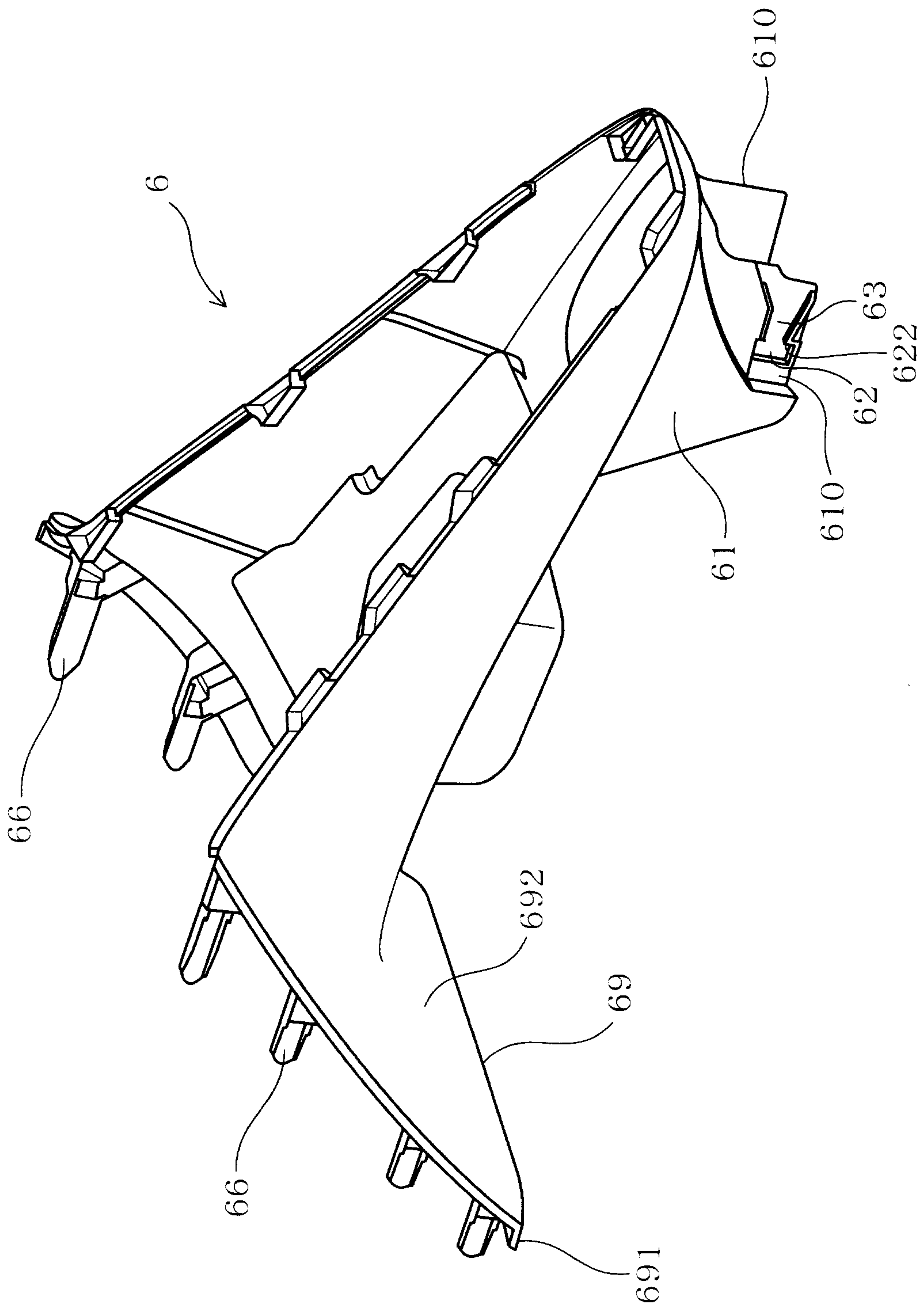


FIG. 4

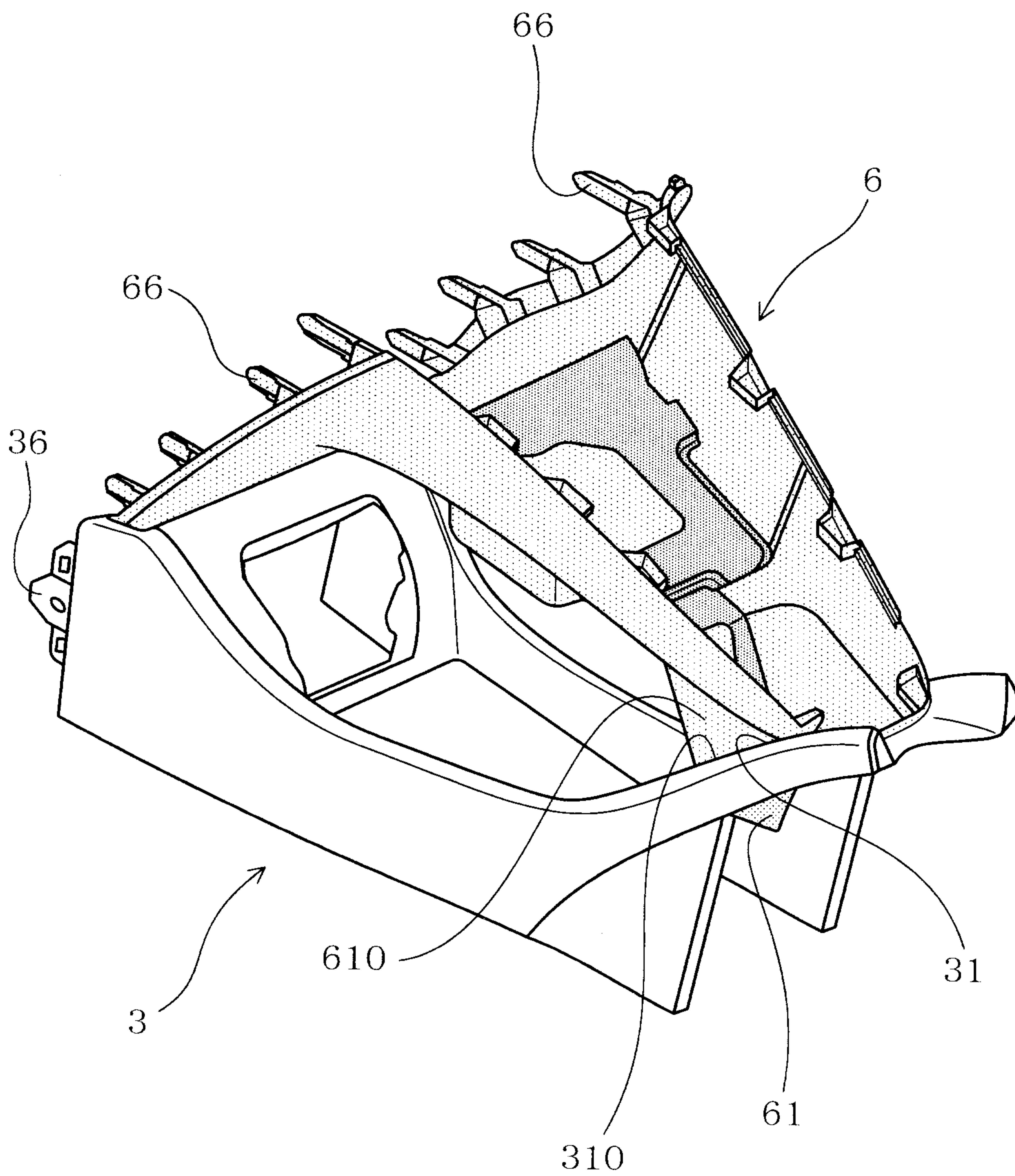


FIG. 5

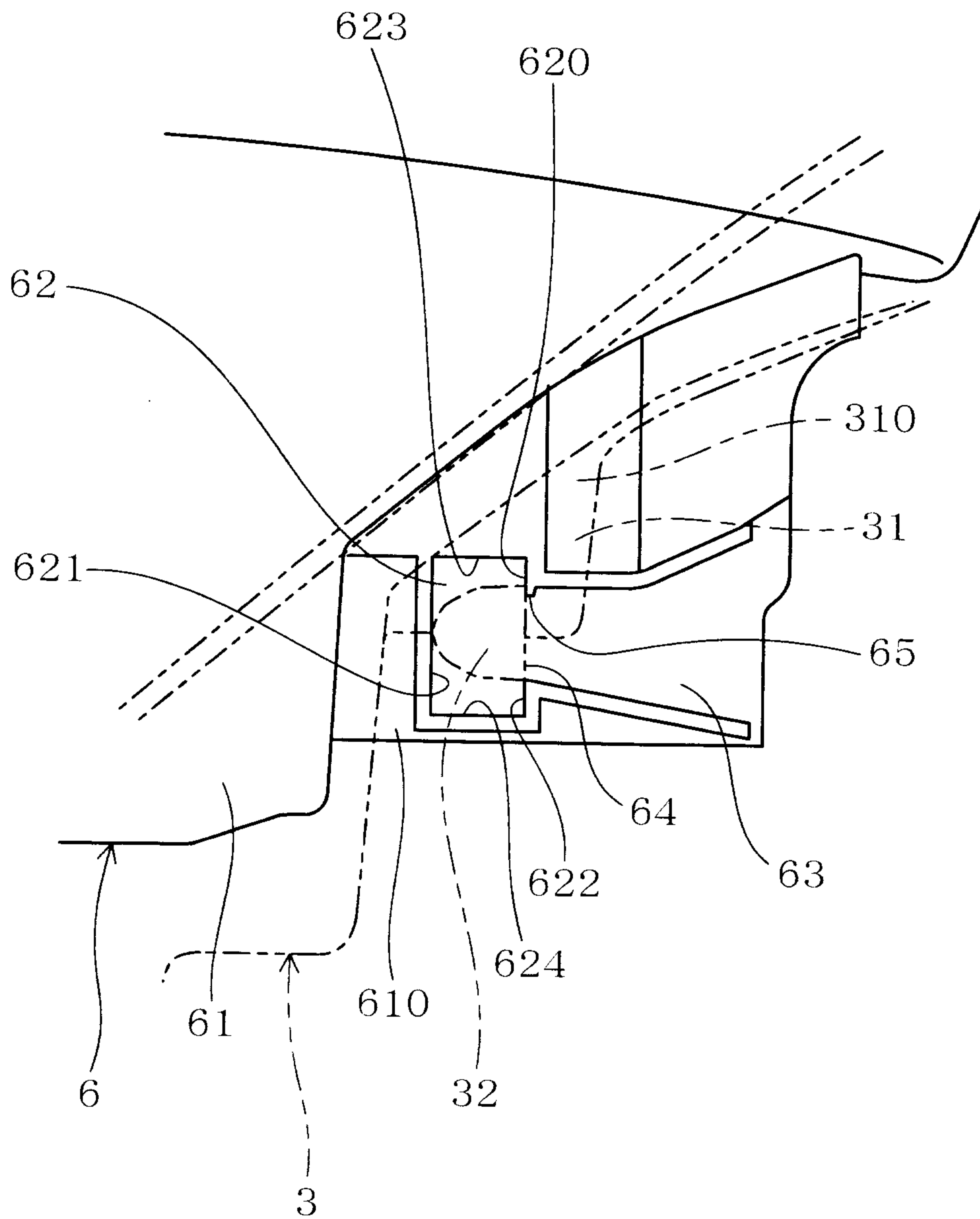
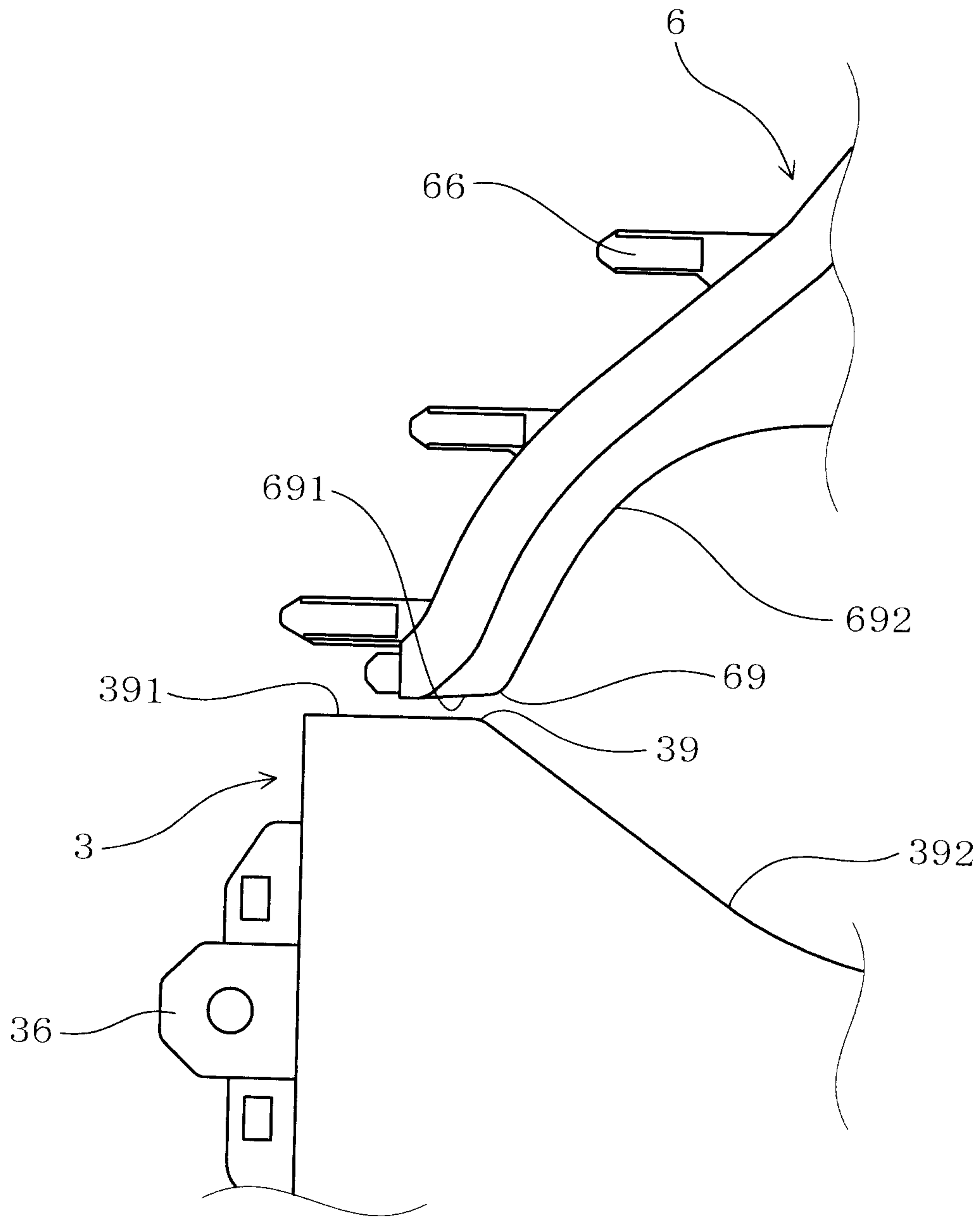


FIG. 6



(图 5)

