



US00D397476S

United States Patent [19]
Gween

[11] **Patent Number:** Des. 397,476
[45] **Date of Patent:** **Aug. 25, 1998

[54] **COMBINED LAMP AND FLOWER HOLDER**

5,063,485 11/1991 Harris 362/122

[76] **Inventor:** David T. Gween, 9940 Norwalk Rd.,
Litchfield, Ohio 44253

FOREIGN PATENT DOCUMENTS

405023053 A 2/1993 Japan 47/66.6

[**] **Term:** 14 Years

Primary Examiner—Susan J. Lucas
Attorney, Agent, or Firm—Walker & Jocke; David R. Percio

[21] **Appl. No.:** 65,510

[57] **CLAIM**

[22] **Filed:** Jan. 27, 1997

The ornamental design for a combined lamp and flower holder, as shown and described.

[51] **LOC (6) Cl.** 26-05

DESCRIPTION

[52] **U.S. Cl.** D26/55; D11/144; D11/152

FIG. 1 is front perspective view of a combined lamp and flower holder showing my new design;
FIG. 2 is a side elevational view showing my new design;
FIG. 3 is a top view thereof; and,
FIG. 4 is a bottom view thereof.

[58] **Field of Search** D26/93, 102-112,
D26/94, 101, 55; 362/410-414, 121, 122,
123, 806; D11/143, 144, 153, 154, 152

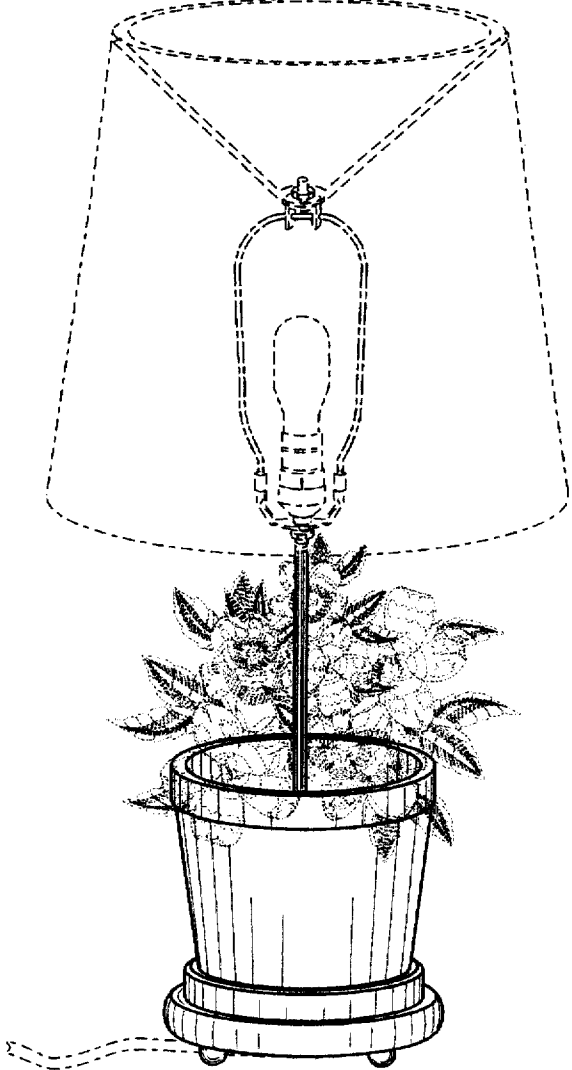
The broken line showings of a lamp shade, shade holder, bulb, socket, cord and flowers are for illustrative purposes only and forms no part of the claimed design.

[56] **References Cited**

U.S. PATENT DOCUMENTS

- D. 198,040 4/1964 Bonham D11/152 X
- D. 234,489 3/1975 Shaw D11/153 X
- D. 279,717 7/1985 Mau et al. D26/55 X
- 1,419,152 6/1922 Lansing et al. 47/66.6

1 Claim, 4 Drawing Sheets



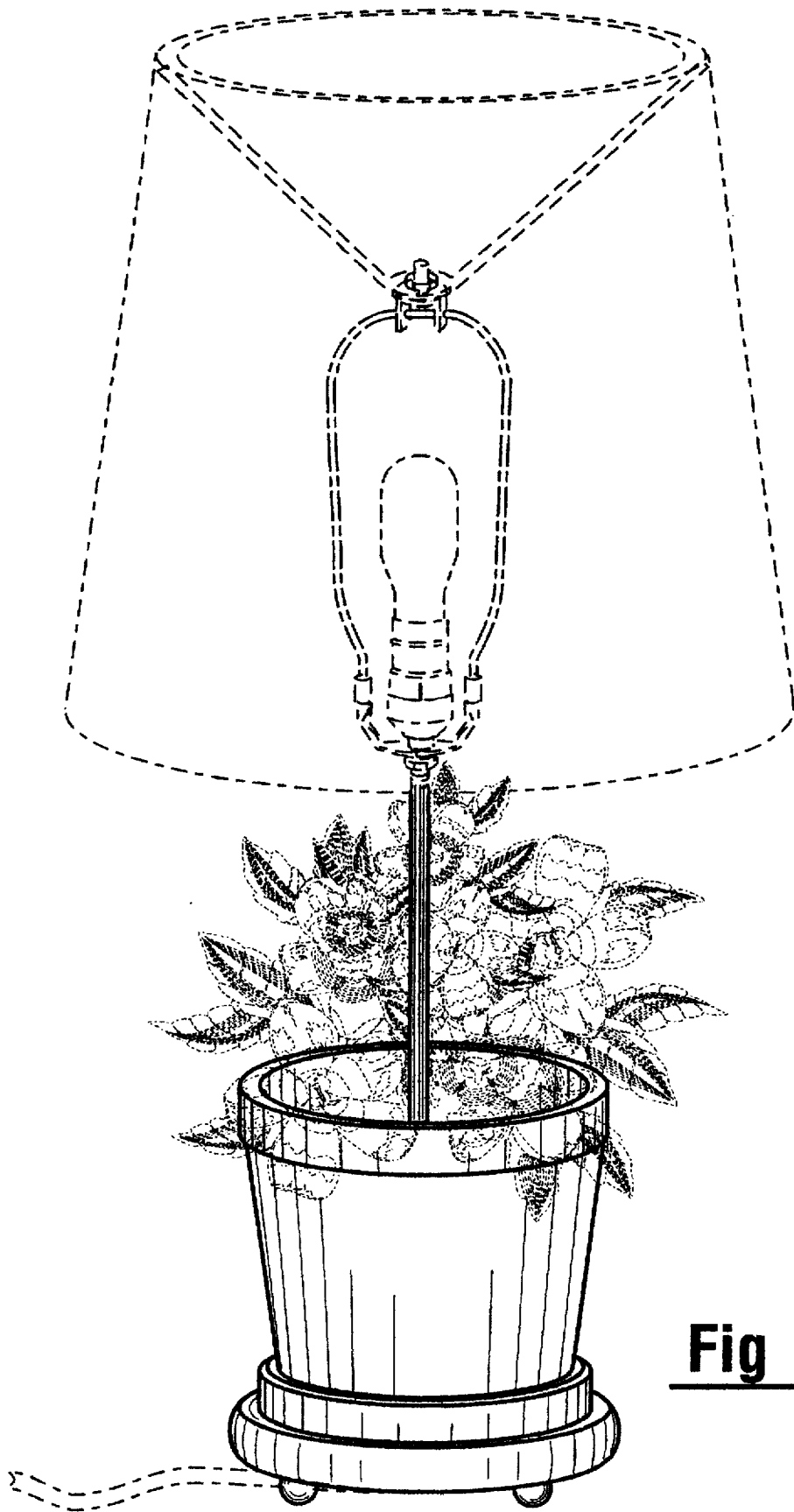


Fig 1

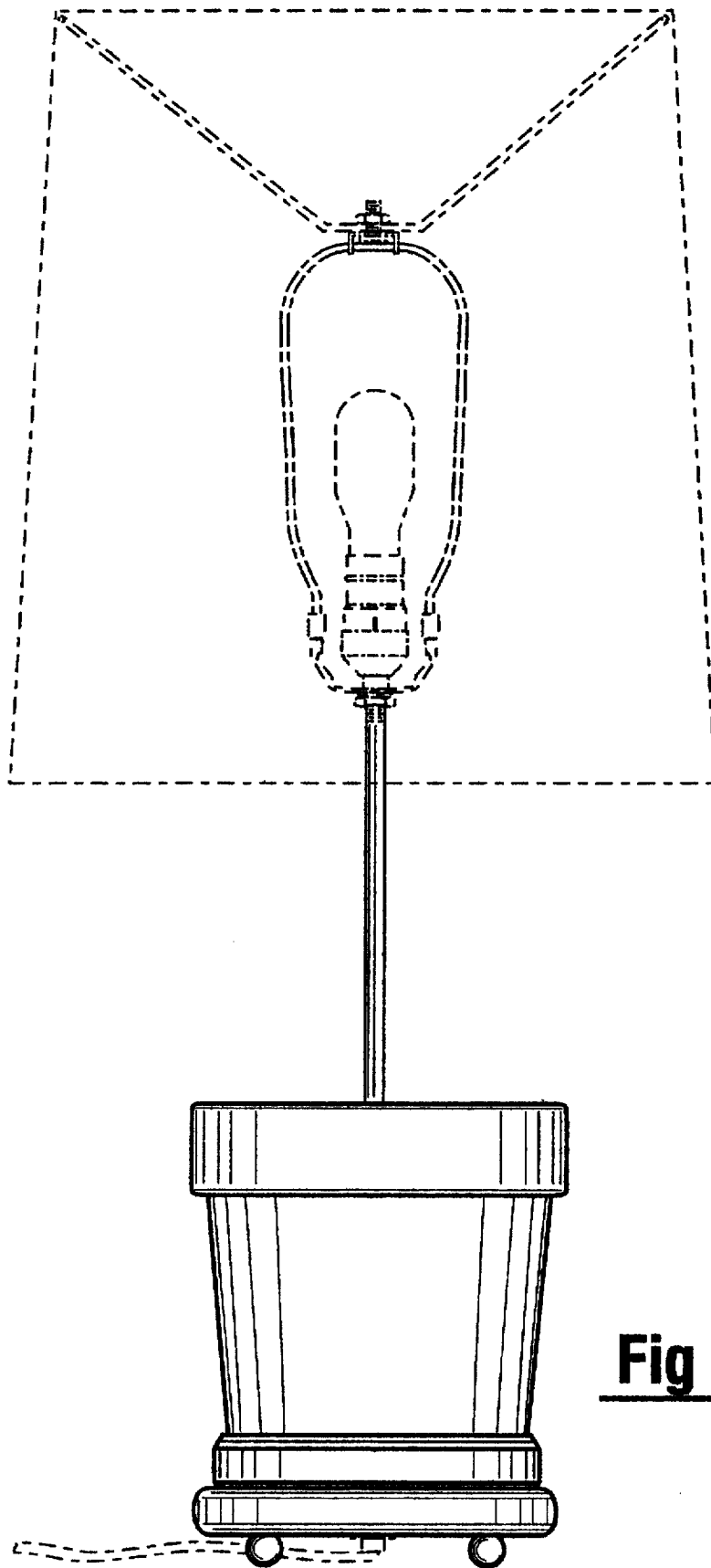


Fig 2

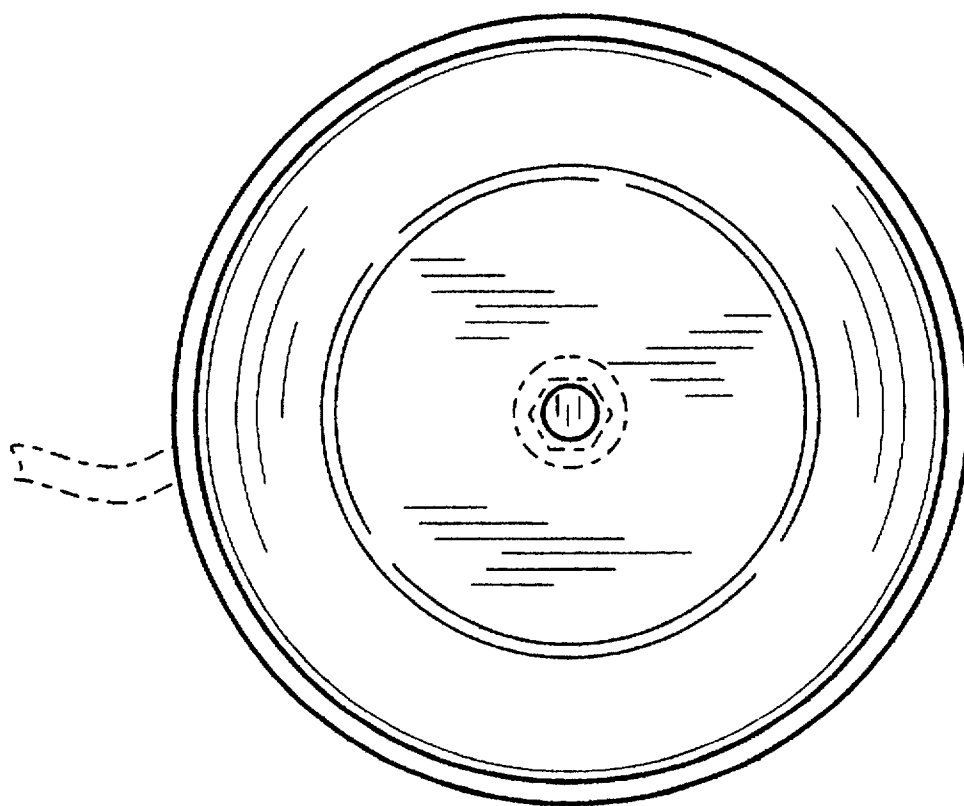


Fig 3

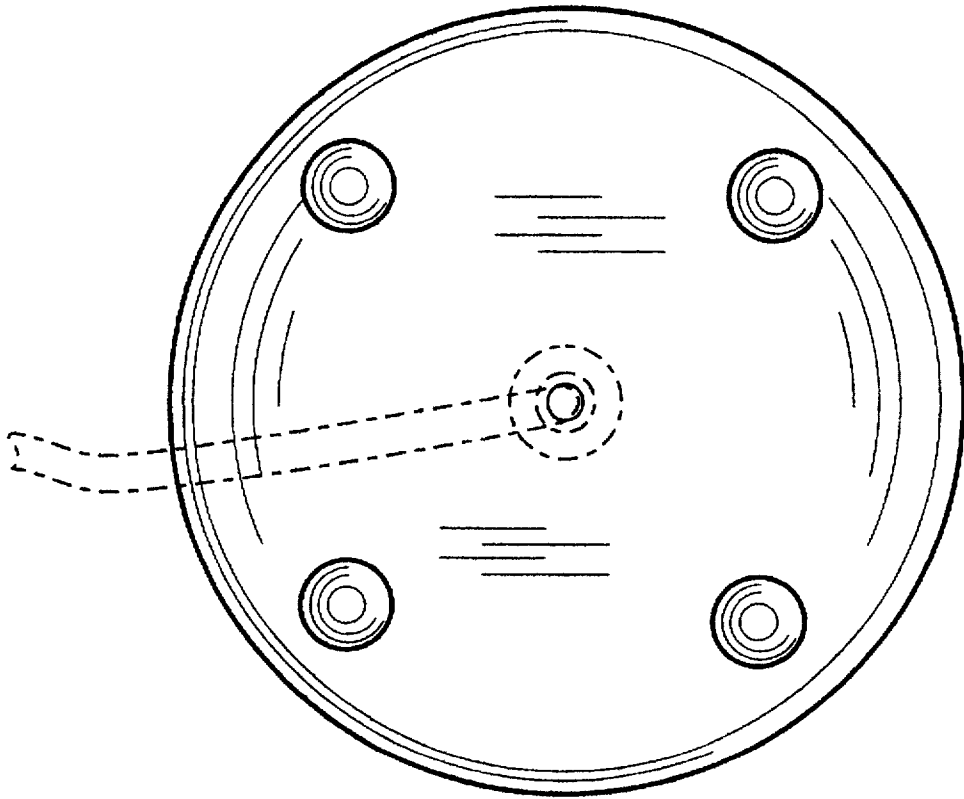


Fig 4