



US0D1045451S

(12) **United States Design Patent**
Liu

(10) **Patent No.:** **US D1,045,451 S**

(45) **Date of Patent:** **** Oct. 8, 2024**

(54) **TV STAND**

(71) Applicant: **Changsha Xinmuyouju supply chain management service co., ltd, Changsha (CN)**

(72) Inventor: **Zhaona Liu, Changsha (CN)**

(**) Term: **15 Years**

(21) Appl. No.: **29/942,544**

(22) Filed: **May 16, 2024**

(51) **LOC (14) Cl.** **06-06**

(52) **U.S. Cl.**
USPC **D6/657**

(58) **Field of Classification Search**

USPC D6/515, 655.1, 657, 663, 671.1, 703.3;
D14/184, 356; D21/332; D25/139
CPC A47B 2200/04; A47B 47/045; A47B
47/0025; A47B 47/0058; A47B 47/0066;
A47B 47/0075; A47B 47/0083; A47B
47/02; A47B 47/021; A47B 47/028; A47B
47/04; A47B 55/02; A47B 67/04; A47B
79/00; B31D 3/02; B29D 24/005; B32B
3/12; B28B 19/0092; A61F 2013/00157;
A61F 13/01021; E04C 2/365; E04C 2/36;
Y10T 428/12313; Y10T 428/1241; Y10T
428/24149; Y10T 428/12347; Y10T
428/1234; Y10T 428/12264; Y10T
428/24165; Y10T 29/49879; Y10T
156/1003

See application file for complete search history.

(56) **References Cited**

U.S. PATENT DOCUMENTS

D244,820 S * 6/1977 Freeman D14/178
D334,852 S * 4/1993 Beirise D6/657
D471,034 S 3/2003 Bong et al.
D546,095 S 7/2007 Sexton
D586,584 S * 2/2009 Hung D6/661

D636,617 S 4/2011 Lara
D663,138 S * 7/2012 Andersen D6/661
D667,654 S * 9/2012 Lenney D6/671.1
D863,843 S * 10/2019 Li D6/675.1
D878,823 S * 3/2020 Davis D6/669
D904,801 S * 12/2020 Davis D6/657
D904,802 S * 12/2020 Davis D6/657
D906,021 S * 12/2020 Davis D6/657
D927,898 S * 8/2021 Davis D6/661
D941,064 S * 1/2022 Packer D6/657
D946,317 S * 3/2022 Packer D6/657
D953,779 S * 6/2022 Chen D6/657
D958,566 S * 7/2022 Davis D6/657
D958,568 S * 7/2022 Packer D6/657
D970,266 S * 11/2022 Davis D6/661
D978,581 S * 2/2023 Naylor D6/657
D995,953 S * 8/2023 Mao D30/108
D1,001,556 S * 10/2023 Wiersma D6/657
D1,017,289 S * 3/2024 Li D6/671

* cited by examiner

Primary Examiner — Paul D Bohannon

(74) *Attorney, Agent, or Firm* — Daniel M. Cohn;
Howard M. Cohn

(57) **CLAIM**

The ornamental design for a TV stand, as shown and described.

DESCRIPTION

FIG. 1 is a perspective view of a TV stand showing my new design;

FIG. 2 is another perspective view thereof;

FIG. 3 is a front elevational view thereof;

FIG. 4 is a rear elevational view thereof;

FIG. 5 is a left side elevational view thereof;

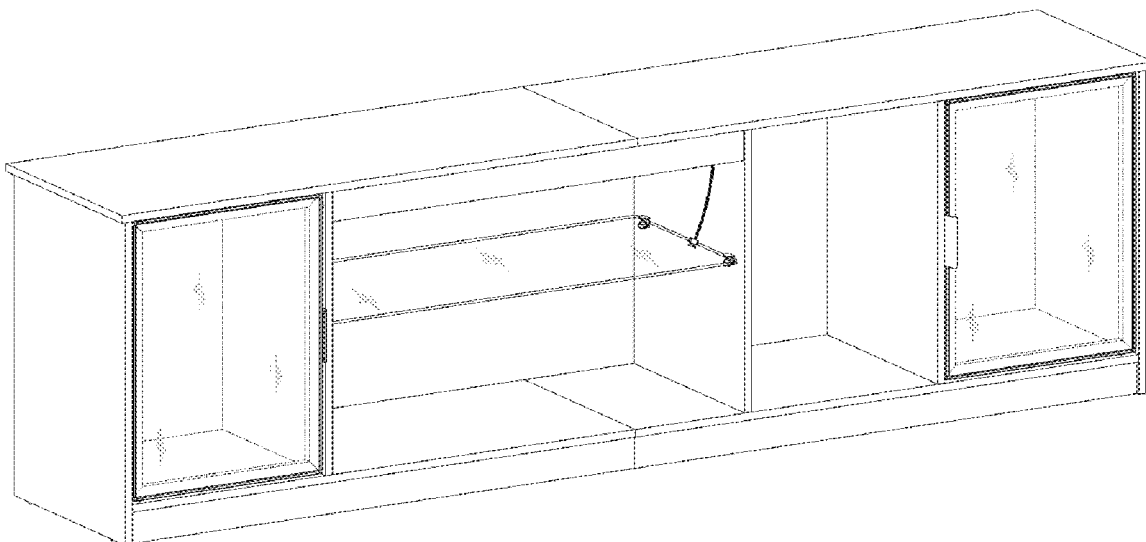
FIG. 6 is a right side elevational view thereof;

FIG. 7 is a top plan view thereof; and,

FIG. 8 is a bottom plan view thereof.

The broken lines in the drawings depict portions of the TV stand that form no part of the claimed design.

1 Claim, 8 Drawing Sheets



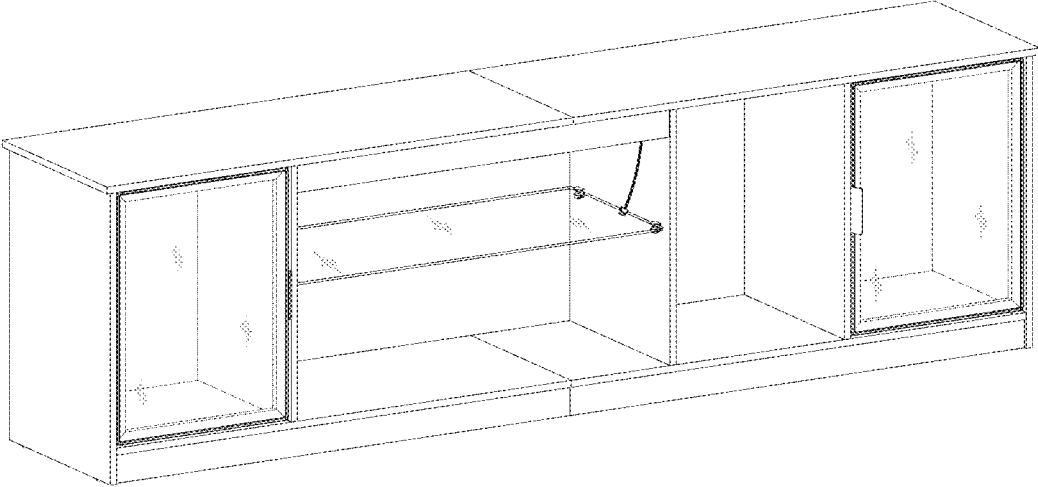


FIG.1

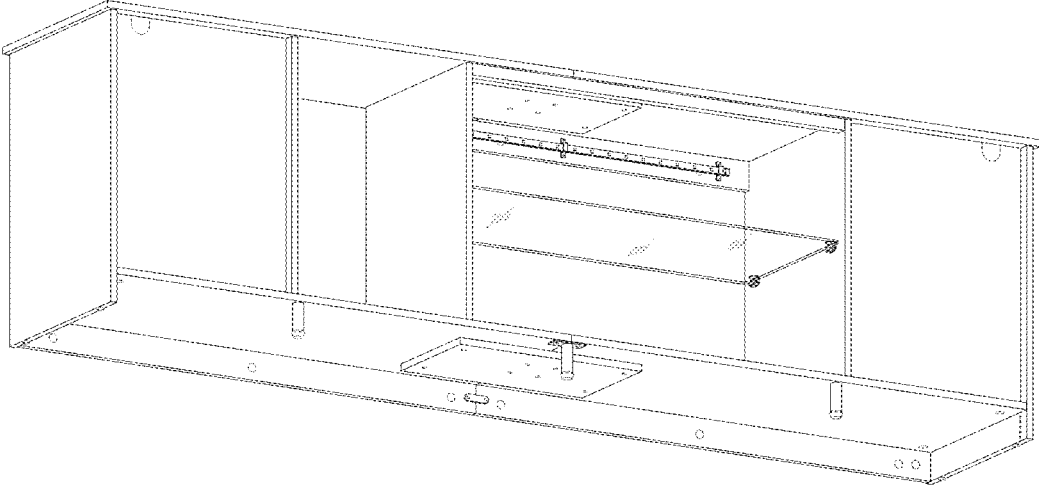


FIG.2

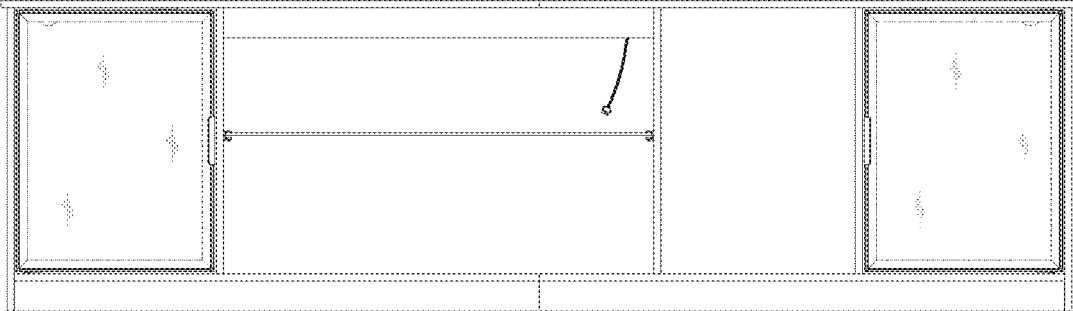


FIG.3

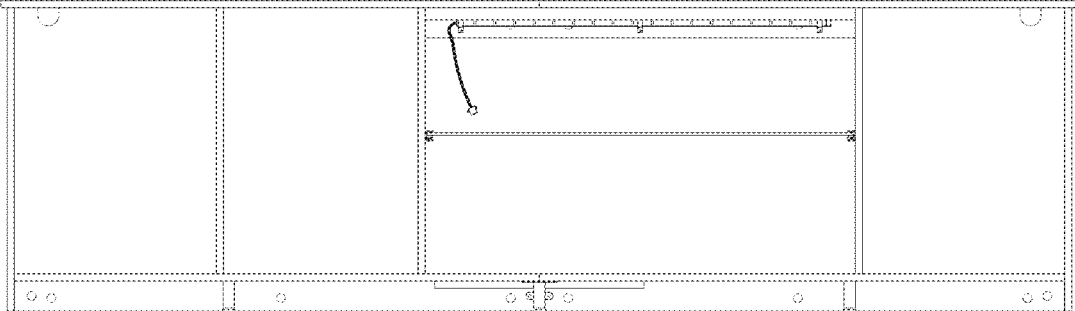


FIG.4

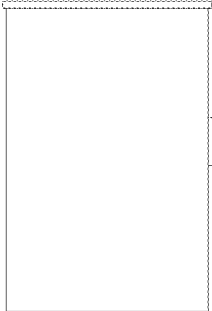


FIG.5

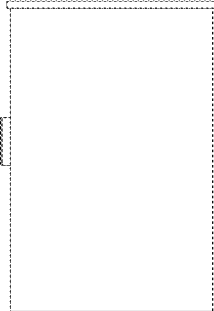


FIG.6

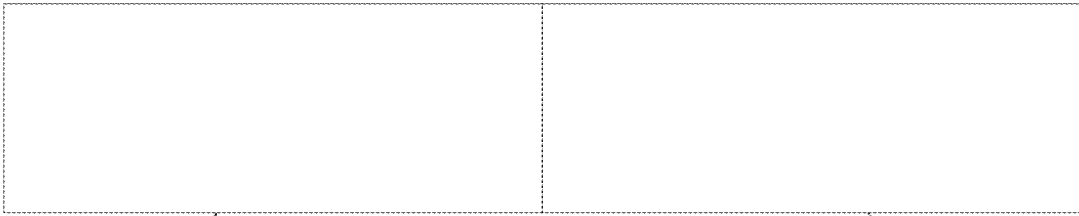


FIG.7

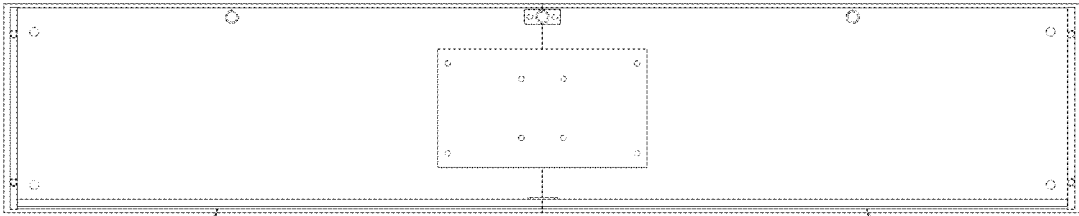


FIG.8