



(86) Date de dépôt PCT/PCT Filing Date: 2008/02/08
 (87) Date publication PCT/PCT Publication Date: 2008/08/14
 (85) Entrée phase nationale/National Entry: 2009/08/06
 (86) N° demande PCT/PCT Application No.: US 2008/001747
 (87) N° publication PCT/PCT Publication No.: 2008/097659
 (30) Priorité/Priority: 2007/02/08 (US11/704,139)

(51) Cl.Int./Int.Cl. *A61B 17/88* (2006.01),
A61B 17/34 (2006.01)
 (71) Demandeurs/Applicants:
KRUEGER, JOHN A., US;
LINDERMAN, EVAN D., US
 (72) Inventeurs/Inventors:
KRUEGER, JOHN A., US;
LINDERMAN, EVAN D., US
 (74) Agent: CASSAN MACLEAN

(54) Titre : DISPOSITIF, SYSTEME ET PROCEDE POUR DELIVRER UN MATERIAU DURCISSABLE DANS UN OS
 (54) Title: DEVICE, SYSTEM AND METHOD FOR DELIVERING A CURABLE MATERIAL INTO BONE

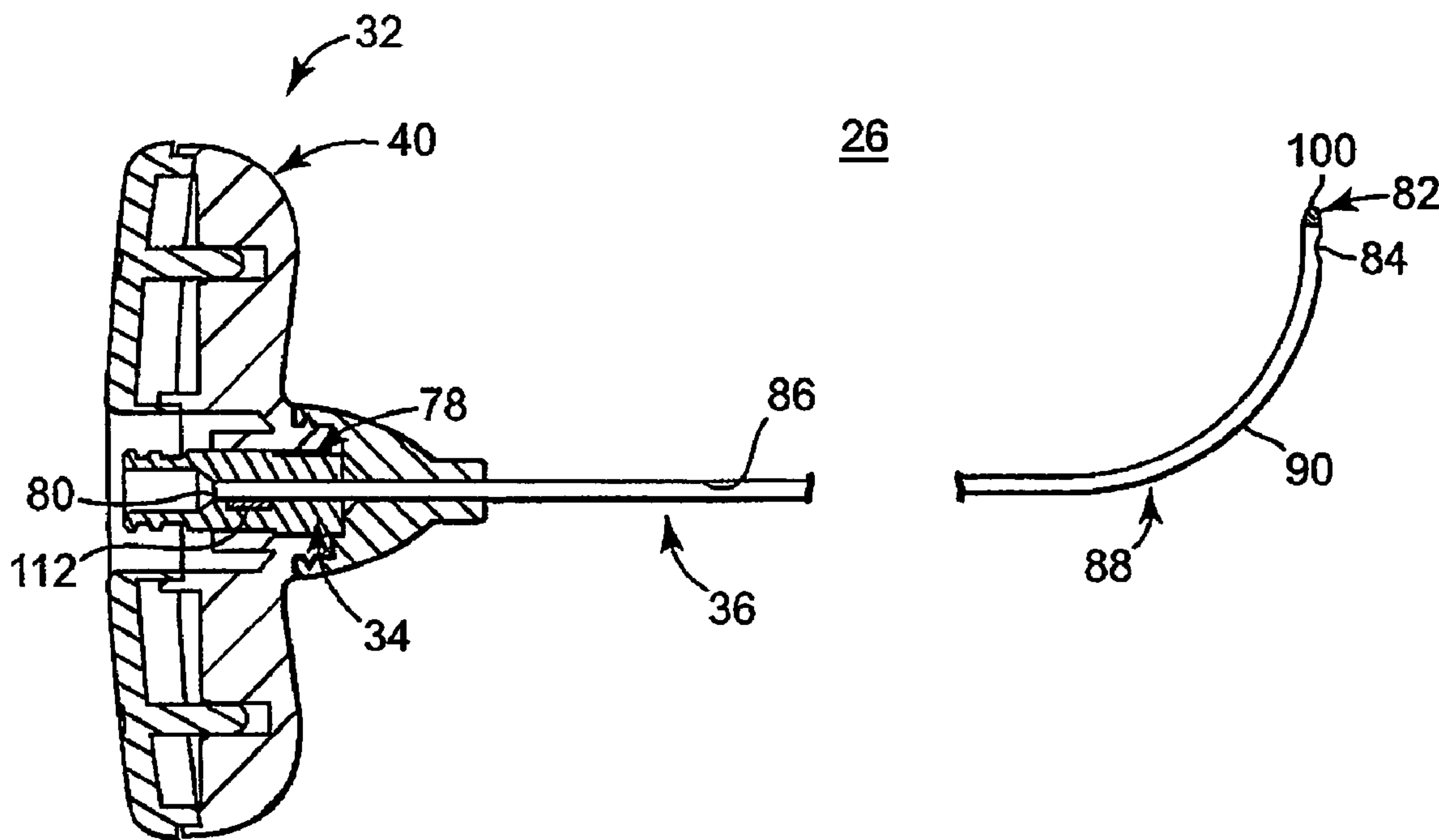


Fig. 4

(57) **Abrégé/Abstract:**

A curable material delivery cannula device (25) is disclosed. The device includes a cannula and a hub. The cannula includes an open proximal end, a deflectable segment (88) forming a pre-set curve, a lumen, and side orifice (s) (84) adjacent, and proximally spaced from, the distal end and fluidly connected to the lumen. When inserted within a guide cannula, the deflectable segment straightens. When distally extended from the guide cannula, the deflectable segment reverts to the curved shape. The distal end has a blunt tip for non-traumatic interface with bodily material. During use, curable material, such as bone cement, is delivered from the side orifice (s) in a radial direction relative to the lumen.

(12) INTERNATIONAL APPLICATION PUBLISHED UNDER THE PATENT COOPERATION TREATY (PCT)

(19) World Intellectual Property Organization
International Bureau(43) International Publication Date
14 August 2008 (14.08.2008)

PCT

(10) International Publication Number
WO 2008/097659 A3

(51) International Patent Classification:

A61B 17/88 (2006.01) A61B 17/34 (2006.01)

(21) International Application Number:

PCT/US2008/001747

(22) International Filing Date: 8 February 2008 (08.02.2008)

(25) Filing Language:

English

(26) Publication Language:

English

(30) Priority Data:

11/704,139 8 February 2007 (08.02.2007) US

(71) Applicants and

(72) Inventors: KRUEGER, John, A. [US/US]; S7917526 Alan Drive, Muskego, WI 53150 (US). LINDERMAN, Evan, D. [US/US]; 1781 Tudor Lane # 205, Northbrook, IL 60062 (US).

(74) Agent: LUCIER, Timothy, P.; Brinks Hofer Gilson & Lione, P.O. Box 10087, Chicago, IL 60610 (US).

(81) Designated States (unless otherwise indicated, for every kind of national protection available): AE, AG, AL, AM,

AO, AT, AU, AZ, BA, BB, BG, BH, BR, BW, BY, BZ, CA, CH, CN, CO, CR, CU, CZ, DE, DK, DM, DO, DZ, EC, EE, EG, ES, FI, GB, GD, GE, GH, GM, GT, HN, HR, HU, ID, IL, IN, IS, JP, KE, KG, KM, KN, KP, KR, KZ, LA, LC, LK, LR, LS, LT, LU, LY, MA, MD, ME, MG, MK, MN, MW, MX, MY, MZ, NA, NG, NI, NO, NZ, OM, PG, PH, PL, PT, RO, RS, RU, SC, SD, SE, SG, SK, SL, SM, SV, SY, TJ, TM, TN, TR, TT, TZ, UA, UG, US, UZ, VC, VN, ZA, ZM, ZW.

(84) Designated States (unless otherwise indicated, for every kind of regional protection available): ARIPO (BW, GH, GM, KE, LS, MW, MZ, NA, SD, SL, SZ, TZ, UG, ZM, ZW), Eurasian (AM, AZ, BY, KG, KZ, MD, RU, TJ, TM), European (AT, BE, BG, CH, CY, CZ, DE, DK, EE, ES, FI, FR, GB, GR, HR, HU, IE, IS, IT, LT, LU, LV, MC, MT, NL, NO, PL, PT, RO, SE, SI, SK, TR), OAPI (BF, BJ, CF, CG, CI, CM, GA, GN, GQ, GW, ML, MR, NE, SN, TD, TG).

Published:

- with international search report
- before the expiration of the time limit for amending the claims and to be republished in the event of receipt of amendments

(88) Date of publication of the international search report:

16 October 2008

(54) Title: DEVICE, SYSTEM AND METHOD FOR DELIVERING A CURABLE MATERIAL INTO BONE

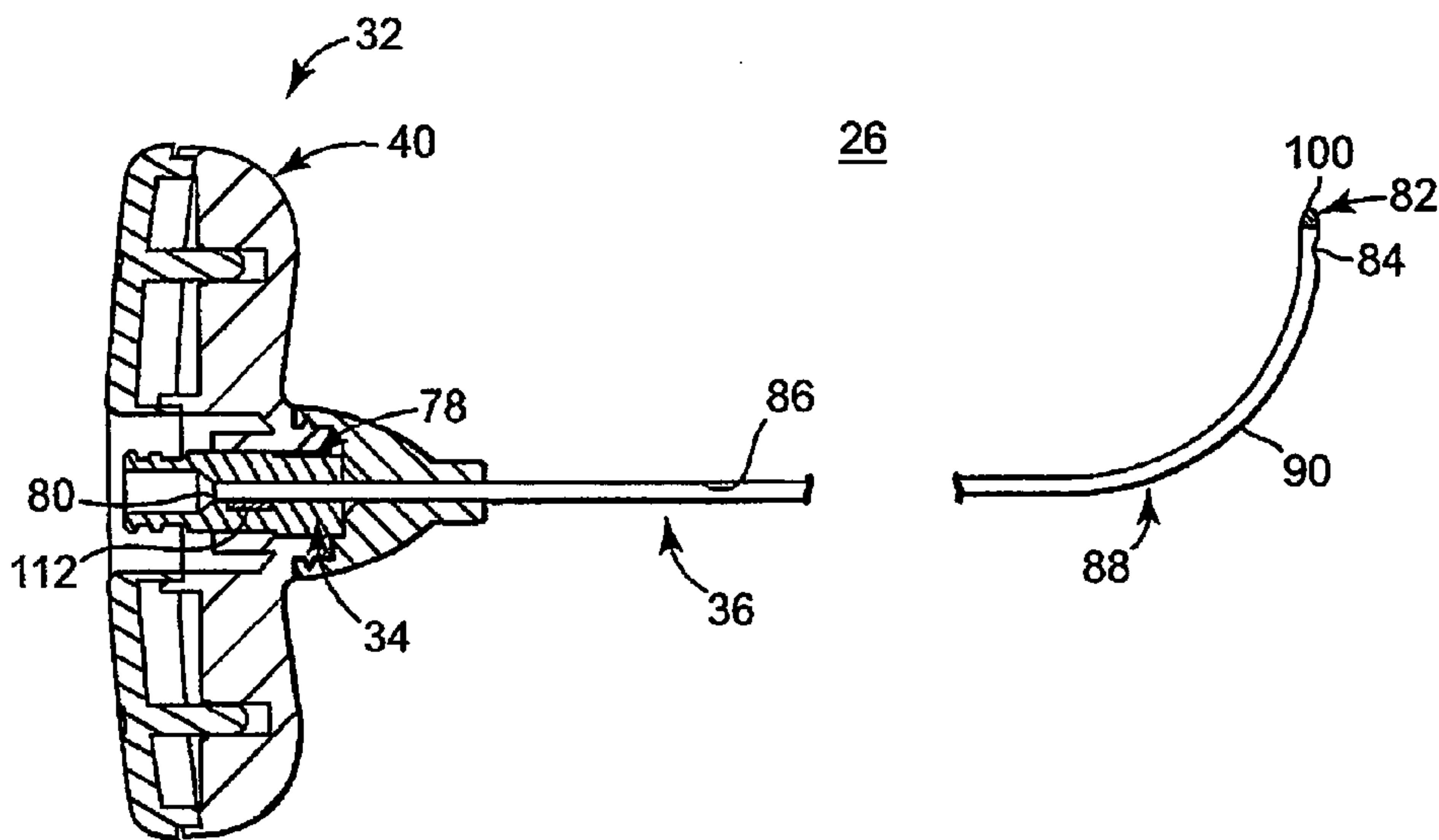


Fig. 4

(57) Abstract: A curable material delivery cannula device (25) is disclosed. The device includes a cannula and a hub. The cannula includes an open proximal end, a deflectable segment (88) forming a pre-set curve, a lumen, and side orifice (s) (84) adjacent, and proximally spaced from, the distal end and fluidly connected to the lumen. When inserted within a guide cannula, the deflectable segment straightens. When distally extended from the guide cannula, the deflectable segment reverts to the curved shape. The distal end has a blunt tip for non-traumatic interface with bodily material. During use, curable material, such as bone cement, is delivered from the side orifice (s) in a radial direction relative to the lumen.

WO 2008/097659 A3

-1-

**DEVICE, SYSTEM AND METHOD FOR
DELIVERING A CURABLE MATERIAL INTO BONE**

[0001] This application is a continuation-in-part of United States patent application Ser. No. 11/282,102, entitled "Device, System and Method for Delivering a Curable Material Into Bone," filed November 18, 2005, the entirety of which is herein incorporated by reference.

BACKGROUND

[0002] The present invention relates to devices and methods for stabilizing bone structures. More particularly, it relates to devices, systems and methods for delivering a curable, stabilizing material into a bone structure.

[0003] Surgical intervention at damaged or compromised bone sites has proven highly beneficial for patients, for example patients with back pain associated with vertebral damage.

[0004] Bones of the human skeletal system include mineralized tissue that can generally be categorized into two morphological groups: "cortical" bone and "cancellous" bone. Outer walls of all bones are composed of cortical bone, which has a dense, compact bone structure characterized by a microscopic porosity. Cancellous or "trabecular" bone forms the interior structure of bones. Cancellous bone is composed of a lattice of interconnected slender rods and plates known by the term "trabeculae."

[0005] During certain bone procedures, cancellous bone is supplemented by an injection of a palliative (or curative) material employed to stabilize the trabeculae. For example, superior and inferior vertebrae in the spine can be beneficially stabilized by the injection of an appropriate, curable material (e.g., PMMA or other bone cement). In other procedures, percutaneous injection of stabilization material into vertebral compression fractures by, for example, transpedicular or parapedicular approaches, has proven beneficial in relieving pain and stabilizing damaged bone sites. Other skeletal bones (e.g., the femur) can be treated in a similar fashion. In any regard, bone in general, and cancellous bone in particular,

-2-

can be strengthened and stabilized by a palliative injection of bone-compatible material.

[0006] The conventional technique for delivering the bone stabilizing material entails employment of a straight access device or cannula that bores (or otherwise cuts) through the cortical bone to gain access to the cancellous bone site. Bone stabilization material is then driven through the cannula to fill a portion of the cancellous bone at the bone site. To minimize invasiveness of the procedure, the cannula is typically a small diameter needle.

[0007] With the above in mind, because the needle cannula interacts with the cancellous bone and other soft tissue structures, an inherent risk exists that following initial insertion, the needle cannula might core or puncture other tissue and/or the bone mass being repaired (at a location apart from the insertion site). Thus, during percutaneous vertebroplasty, great care must be taken to avoid puncturing, coring, or otherwise rupturing the vertebral body. Similar post-insertion coring concerns arise in other interior bone repair procedures. Along these same lines, to minimize trauma and time required to complete the procedure, it is desirable that only a single bone site insertion be performed. Unfortunately, for many procedures, the surgical site in question cannot be fully accessed using a conventional, straight needle cannula. For example, with vertebroplasty, the confined nature of the inner vertebral body oftentimes requires two or more insertions with the straight needle cannula at different vertebral approach locations ("bipedicular" technique). It would be desirable to provide a system for delivering bone stabilizing material that can more readily adopt to the anatomical requirements of a particular delivery site, for example a system capable of promoting unipedicular vertebroplasty.

[0008] Instruments sold by Cook Medical under the OSTEO-RX™ product line utilize a curved needle to deliver bone stabilizing material as part of vertebroplasty or similar procedure. The curved needle purportedly enhances a surgeon's ability to locate and inject the stabilizing material at a desired site. Similar to a conventional straight needle cannula, the curved needle dispenses the curable material through a single, axial opening at the distal-most tip. However,

-3-

the curved needle is used in combination with an outer cannula that assists in generally establishing access to the bone site as well as facilitating percutaneous delivery of the needle to the delivery site (within bone) in a desired fashion. More particularly, the outer cannula first gains access to the bone site, followed by distal sliding of the needle through the outer cannula. Once the needle's tip extends distal a distal end of the outer cannula, the needle tip is "exposed" relative to the bone site. To avoid coring, and thus potentially damaging, tissue when inserting the needle's distal tip into the bone site, an additional wire component is required, coaxially disposed within the needle and distally extending from the distal tip. The inner wire "protects" tissue or other bodily structures from traumatically contacting the distal tip of the needle as the tip is being positioned. The coaxial wire must be removed prior to infusing the bone stabilizing material through the needle. Further, the needle can only dispense the stabilizing material through the axial opening at the distal tip of the needle, perhaps impeding a surgeon's ability to infuse all desired areas and/or requiring an additional procedural step of "backing" the needle tip away from the desired delivery site. Also, because the needle tip, and thus the axial opening, is likely at or facing the bone defect (e.g., fracture in the vertebral body) being repaired, the stabilizing material may be injected directly at the defect, giving rise to a distinct possibility that the stabilizing material will forcibly progress through and outwardly from the defect. This is clearly undesirable. The issues and concerns described above in the context of percutaneous vertebroplasty can also arise in similar surgical procedures at other bone sites.

[0009] The injection of palliative materials into damaged or compromised bone sites has proven highly beneficial for patients. However, the known access and infusion techniques necessitate multiple needle sticks and/or risk coring bone or tissue. Therefore, a need exists for an improved device and system for delivering stabilizing material to damaged or compromised bone sites.

-4-

SUMMARY

[0010] Benefits achieved in accordance with principles of the disclosed invention include a delivery cannula providing a non-traumatic, blunt distal end that minimizes the risks of coring tissue or puncturing bone or tissue during intraosseous procedures without requiring additional components (such as separate wire). Other benefits relate to a delivery cannula defining at least one side orifice adjacent to a blunt distal end, where the orifice(s) permit a radial infusion of a curable material at a site within bone even in the case where the distal end is in contact with bone and/or tissue. Thus, a palliative bone procedure can be accomplished with reduced operating room time and with fewer approaches of surgical instruments to the bone site. For example, unipedicular vertebroplasty is readily accomplished. Further, virtually any area within the surgical site can be accessed. Also, the distal end of the delivery cannula can be placed as close as desired to a particular anatomical feature of the surgical site (e.g., a bone fracture) without fear that subsequently delivered material will forcibly progress into or through that feature.

[0011] Some aspects of the present invention relate to a delivery cannula device for delivering a curable material into bone. The device includes a delivery cannula and a hub forming a fluid port. The delivery cannula defines a proximal end, a deflectable segment, a distal end, a lumen, and at least one side orifice. The proximal end is axially open to the lumen. The deflectable segment is formed opposite the proximal end and terminates at the distal end that is otherwise axially closed. Further, the distal end has a blunt tip. The lumen extends from the proximal end and is fluidly connected to the side orifice(s). To this end, the side orifice(s) is formed adjacent to, and proximally space from, the distal end. Finally, the deflectable segment forms a curved shape in longitudinal extension and has a shape memory characteristic. With this configuration, the deflectable segment can be forced to a substantially straightened shape and will revert to the curved shape upon removal of the force. The hub is fluidly coupled to the proximal end of the delivery catheter. With this construction and during use, the

-5-

distal end will not damage or core tissue when inserted into a delivery site within bone due to the blunt tip. Further, the side orifice(s) afford the ability to inject a curable material regardless of whether the distal end is lodged against bodily material, and can achieve more thorough dispensement.

[0012] Other aspects of the present invention relate to an intraosseous, curable material delivery system for delivering a curable material, such as bone cement, to a delivery site within bone. The system includes the delivery cannula and hub as described in the previous paragraph, along with a guide cannula. The delivery cannula and the guide cannula are sized such that the delivery cannula is slidable within the guide cannula. To this end, the deflectable segment is configured to deflect to a substantially straightened shape when inserted within the cannula and revert to the curved shape when extended distal the guide cannula for delivery of the curable material. In one embodiment, the guide cannula and the delivery cannula are sized to perform a vertebroplasty procedure.

[0013] Yet other aspects of the present invention relate to a method of stabilizing a bone structure of a human patient. The method includes providing a delivery cannula as previously described. A distal tip of a guide cannula is located within the bone structure. The delivery cannula is inserted within the guide cannula. In this regard, the deflectable segment deflects to a substantially straightened shape within the guide cannula. The delivery cannula is distally advanced relative to the guide cannula such that the distal end and at least a portion of the deflectable segment of the delivery cannula projects distal the distal tip of the guide cannula. To this end, the portion of the deflectable segment distal the distal tip of the guide cannula naturally reverts to the curved shape. The distal end of the delivery cannula is positioned adjacent a desired delivery site within the bone structure. A curable material is injected into the lumen. The injected curable material is delivered to the delivery site via the side orifice(s). Once delivered, the curable material is allowed to cure so as to stabilize the bone structure. In one embodiment, the method further includes rotating the delivery cannula relative to the guide cannula so as to alter a spatial position of the side orifice(s), thus affording the ability to inject the curable material in different planes.

-6-

[0014] Still another aspect of the present invention relates to a method of injecting curable material to a delivery site within a bone structure. The method includes the steps of providing a delivery cannula having an open, proximal end, a deflectable segment opposite the proximal end having a distal end, and a lumen extending from the proximal end. The deflectable segment has a shape memory characteristic and naturally assumes a curved shape in longitudinal extension. The method also includes the step of locating a distal tip of a guide cannula within the bone structure. The method further includes the step of inserting the delivery cannula within the guide cannula, wherein the deflectable segment deflects to a substantially straightened shape within the guide cannula, and distally advancing the delivery cannula such that the distal end and at least a portion of the deflectable segment projects distal the distal tip. The portion of the deflectable segment distal the distal tip then naturally reverts to the curved shape. The method also includes the step of manipulating the delivery cannula such that at least a portion of the deflectable segment creates one or more voids in soft body tissue within the bone structure. The method also includes the step of delivering the curable material to the delivery site wherein the curable material is delivered to the one or more voids in the soft body tissue created by the deflectable segment.

[0015] Yet another aspect of the present invention relates to a method of injecting curable material to a delivery site within a bone structure. The method includes the step of providing a delivery cannula having an open, proximal end, a deflectable segment opposite the proximal end having a distal end and a lumen extending from the proximal end. The deflectable segment has a shape memory characteristic and naturally assumes a curved shape in longitudinal extension. In the method, the distal tip of a guide cannula is located within the bone structure. The delivery cannula is inserted within the guide cannula, characterized by the deflectable segment deflecting to a substantially straightened shape within the guide cannula. The delivery cannula is distally advanced such that the distal end and at least a portion of the deflectable segment projects distal the distal tip, characterized by the portion of the deflectable segment distal the distal tip naturally reverting to the curved shape. The distal end is positioned distally

-7-

adjacent a first region within the delivery site. The curable material is then delivered to the first region within the delivery site. The distal end is then positioned adjacent a second region within the delivery site and curable material is delivered to the second region within the delivery site.

[0016] Yet another aspect of the present invention relates to a cannula device for delivering a curable material, such as bone cement, into bone as part of a curable material delivery system. The device includes a delivery cannula preloaded with bone cement defining an open, proximal end, a deflectable segment opposite the proximal end and terminating in a closed distal end. The device also includes a lumen extending from the proximal end. The device also includes at least one side orifice formed adjacent to, and proximally spaced from, the distal end and fluidly connected to the lumen, wherein the deflectable segment forms a curved shape in longitudinal extension and has a shape memory characteristic such that the deflectable segment is configured to assume a longitudinally, substantially straightened form when subjected to a force and naturally revert to the curved shape upon removal of the force.

[0017] Yet another aspect of the present invention relates to an intraosseous, curable material delivery system for delivering a curable material such as bone cement to a delivery site within bone. The system includes a delivery cannula having an open, proximal end, a deflectable segment opposite the proximal end and terminating in a distal end, a lumen extending from the proximal end, wherein the deflectable segment has a shape memory characteristic and assumes a curved shape in longitudinal extension. The system also includes a guide cannula defining an inner diameter greater than an outside diameter of the delivery cannula and having an open distal tip wherein the deflectable segment is configured to be deflectable to a substantially straightened shape such that the delivery cannula is slidable within the guide cannula, and to naturally revert to the curved shape when extended distal the distal tip for delivery of a curable material within implantation site via the distal end and wherein the delivery cannula is smoothly slidable within the guide cannula.

-8-

[0018] Yet another aspect of the present invention relates to a curable material structure for stabilizing a vertebral body. The structure includes a first curable material deposit proximal to an endplate of a vertebral body for providing support to a first endplate of the vertebral body. The structure also includes a second curable material deposit proximal to an endplate of a vertebral body for providing support to a second endplate of the vertebral body. The structure also includes a column of curable material between the first curable material deposit and the second curable material deposit for providing support to the vertebral body.

BRIEF DESCRIPTION OF THE DRAWINGS

[0019] The accompanying drawings are included to provide a further understanding of the present invention and are incorporated in and are a part of this specification. Other embodiments of the present invention, and many of the intended advantages of the present invention, will be readily appreciated as they become better understood by reference to the following detailed description. The elements of the drawings are not necessarily to scale relative to each other. Like reference numerals designate corresponding similar parts.

[0020] FIG. 1 illustrates components of an intraosseous curable material delivery system in accordance with principles of the present invention;

[0021] FIG. 2A is a cross-sectional, exploded view of a delivery cannula device component of the system of FIG. 1;

[0022] FIG. 2B is a front view of a delivery cannula and hub portions of the device of FIG. 2A;

[0023] FIG. 3A is an enlarged plan view of a distal portion of the delivery cannula of FIG. 2A;

[0024] FIG. 3B is a cross-sectional view of the delivery cannula of FIG. 3A;

[0025] FIG. 3C is an enlarged plan view of a distal portion of the delivery cannula of FIG. 2A according to another preferred embodiment of the present invention;

-9-

[0026] FIG. 3D is an enlarged plan view of a distal portion of the delivery cannula of FIG. 2A according to another preferred embodiment of the present invention;

[0027] FIG. 3E is an enlarged plan view of a distal portion of the delivery cannula of FIG. 2A according to another preferred embodiment of the present invention

[0028] FIG. 4 is a cross-sectional view of the delivery cannula device of FIG. 2A upon final assembly;

[0029] FIG. 5 is a side plan view of an alternative delivery cannula device in accordance with principles of the present invention;

[0030] FIG. 5A is a side plan view of an alternative delivery cannula device in accordance with principles of the present invention;

[0031] FIG. 5B is a side plan view of an alternative delivery cannula device in accordance with principles of the present invention;

[0032] FIG. 6A is a simplified plan view of an intraosseous curable material delivery system employed in a palliative bone procedure in accordance with principles of the present invention;

[0033] FIG. 6B is a cross-sectional view of a portion of the system of FIG. 6A;

[0034] FIG. 6C illustrates a final stage of a procedure performed by the system of FIG. 6A;

[0035] FIG. 6D is a transverse, sectional view of a vertebral body in combination with a portion of the system of FIG. 6A, illustrating injection of curable material;

[0036] FIG. 6E is a transverse, sectional view of a vertebral body illustrating various vertebroplasty approach positions available in accordance with principles of the present invention;

[0037] FIGS. 7A and 7B are simplified anterior views of a vertebral body, illustrating use of the system in accordance with principles of the present invention;

-10-

[0038] FIGS. 8A and 8B are simplified lateral views of a vertebral body, illustrating use of the system in accordance with principles of the present invention.

[0039] FIG. 9 is a simplified lateral view of a vertebral body, illustrating use of the system in accordance with principles of the present invention.

[0040] FIG. 10 is a simplified lateral view of a vertebral body, illustrating use of the system in accordance with principles of the present invention.

[0041] FIGS. 11A - 11C are simplified anterior views of a vertebral body, illustrating use of the system in accordance with principles of the present invention; and

[0042] FIG. 12 is a simplified anterior view of a sacrum, illustrating use of the system in accordance with principles of the present invention;

DETAILED DESCRIPTION

[0043] FIG. 1 illustrates components of an intraosseous, curable material delivery system **20** according to principles of the present invention. The system **20** includes an outer guide cannula **22** and a delivery cannula device **26** (referenced generally). Details on the various components are provided below. In general terms, however, a portion of the delivery cannula device **26** is sized to be slidably disposed within the guide cannula **22** that otherwise serves to form and/or locate a desired delivery site within bone. Once positioned, the delivery cannula device **26** is employed to inject a curable, bone stabilizing material into the delivery site. The system **20** can be used for a number of different procedures, including, for example, vertebroplasty and other bone augmentation procedures in which curable material is delivered to a site within bone, as well as to remove or aspirate material from a site within bone.

[0044] The system **20**, and in particular the delivery cannula device **26**, is highly useful for delivering a curable material in the form of a bone cement material. The phrase "curable material" within the context of the substance that can be delivered by the system/device of the invention described herein is intended to refer to materials (e.g., composites, polymers, and the like) that have a fluid or

-11-

flowable state or phase and a hardened, solid or cured state or phase. Curable materials include, but are not limited to injectable polymethylmethacrylate (PMMA) bone cement, which has a flowable state wherein it can be delivered (e.g., injected) by a cannula to a site and subsequently cures into hardened cement. Other materials, such as calcium phosphates, bone in-growth material, antibiotics, proteins, etc., could be used in place of or to augment, PMMA (but do not affect an overriding characteristic of the resultant formulation having a flowable state and a hardened, solid or cured state). This would allow the body to reabsorb the cement or improve the clinical outcome based on the type of filler implant material. With this in mind, and in one embodiment, the system 20 further includes a source (not shown) of curable material fluidly coupled to the delivery cannula device 26.

[0045] Given the above, the outer guide cannula 22 generally enables access of the delivery cannula device 26 to a bone site of interest, and thus can assume a wide variety of forms. In general terms, however, the guide cannula 22 is sized to slidably receive a portion of the delivery cannula device 26, terminating in an open, distal tip 28. The distal tip 28 can further be adapted to facilitate coring of bone tissue, such as when using the guide cannula 22 to form a delivery site within bone. To promote a desired interface between the guide cannula 22 and a portion of the delivery cannula device 26 otherwise slidably inserted within the guide cannula 22 during use (described below), in one embodiment, an inner diameter surface of the guide cannula 22 is highly smoothed to a matte or mirror finish (i.e., RMS range of about 0-16). In another preferred embodiment, the inner diameter surface of the guide cannula 22 or the outer diameter surface of the delivery cannula 36 can be coated with Teflon to promote a smooth desired interface between the guide cannula 22 and a portion of the delivery cannula device 26 otherwise slidably inserted within the guide cannula 22 during use. A Teflon sleeve between the guide cannula 22 and a portion of the delivery cannula device 26 may also be used. Further, the outer diameter surface of the delivery cannula 36 can be polished to a highly smoothed to a matte or mirror finish (i.e., RMS range of about 0-16). Regardless, and in some embodiments, the guide cannula 22

-12-

can further be attached, at a proximal end thereof, to a handle 30 for enhancing a surgeon's ability to manipulate the system 20. Alternatively, the handle 30 can be eliminated.

[0046] The delivery cannula device 26 is shown in greater detail in FIG. 2A, and generally includes a handle assembly 32 (referenced generally), a hub 34, and a delivery cannula 36. The hub port 34 forms a fluid port and is fluidly connected to the delivery cannula 36, with the handle assembly 32 retaining the combination hub 34/delivery cannula 36. As described in greater detail below, the delivery cannula 36 is sized to be coaxially, slidably received within the guide cannula 22 (FIG. 1), and is adapted to deliver a curable material injected therein via the hub 34.

[0047] The handle assembly 32 includes, in one embodiment, a handle 40 and a retainer 42. The handle 40 is adapted to receive the hub 34, with the retainer 42 securing the hub 34 (and thus the delivery cannula 36) to the handle 40.

[0048] The handle 40, in one embodiment, includes a first section 44 and a second section 46. The first section 44 is adapted for snap-fit assembly to the second section 46, such as by complimentary annular protrusion(s) 48 and grooves 50. Regardless, the first section 44 forms a central passage 52 extending inwardly from an exterior surface 54 thereof.

[0049] The second section 46 defines an internal aperture 56 that, upon final assembly of the handle 40, is aligned with the central passage 52. The aperture 56 can assume a variety of forms sized to receive the hub 34 in a nested manner. The nested interface between the handle 40 and the hub 34 is preferably adapted such that the hub 34 cannot rotate relative to the handle 40 upon final assembly (i.e., the hub 34/handle 40 interface resists a torque imparted on either component such that rotational movement of the handle 40 results in an identical rotation of the hub 34/delivery cannula 36 even when the delivery cannula 36 is inserted within a confined surgical site). Thus, in one embodiment, the aperture 56 and the hub 34 (as described below) have corresponding non-symmetrical or non-circular shapes in transverse cross-section. Relative to the longitudinal cross-sectional view of FIG. 2A, the non-circular shape of the aperture 56 is characterized by the aperture

-13-

56 being defined by a sidewall 58 having a shoulder 60 corresponding with the shape of the hub 34 as described in greater detail below. Alternatively, the sidewall 58 can assume a variety of other configurations. Regardless, and in one embodiment, the second section 46 forms exterior threads 62.

[0050] The retainer 42 is configured to secure the hub 34/delivery cannula 36 to the handle 40, and forms a central opening 64 defining a proximal portion 66 and a distal portion 68. The proximal portion 66 forms the central opening 64 to have a diameter slightly greater than that of the hub 34, along with internal threads 70 sized to threadably engage the exterior threads 62 of the handle 40. The distal portion 68 forms the opening 64 to have a diameter approximating an outer diameter of the delivery cannula 36 so as to provide a more rigid connection between the handle assembly 32 and the hub 34/delivery cannula 36.

Alternatively, the handle assembly 32 can assume a wide variety of other forms and in some embodiments can be eliminated entirely.

[0051] In one embodiment, the hub 34 is of a conventional fluid port design and defines a fluid passage 71 and an exterior thread 72 on a proximal end 74 thereof. In one embodiment, the thread 72 is a double start right hand Luer thread including a 5-millimeter lead, although other thread conformations and lead sizes are also acceptable. Regardless, as previously mentioned, in one embodiment, the hub 34 is configured to be rotatably "locked" relative to the handle assembly 32 upon final assembly. Thus, in one embodiment, a body of the hub 34 forms a generally cylindrical surface 76 a portion of which is flattened in an area 78, as shown in FIG. 2B. The size and shape of the flattened area 78 corresponds with the aperture sidewall 58 (FIG. 2A) provided with the handle 40 (FIG. 2A).

[0052] The hub 34 is formed, in one embodiment, of a sterilizable polymeric material. By way of example, the hub 34 can be formed of a polylac 717C acrylonitrile-butadiene-styrene (ABS) copolymer, although other sterilizable polymers and/or copolymers are also acceptable.

[0053] In another preferred embodiment, a removable cap 38 is adapted to attach to the first section 44 of the handle assembly 32 and cover the fluid passage 71 of the hub 34. When the delivery cannula 36 is inserted into the guide cannula,

-14-

22, blood or other fluids may travel within the delivery cannula **36** and exit through the fluid passage **71** of the hub **34**. A removable cap **38** can be attached to the handle assembly **32** as the delivery cannula **36** is introduced into the guide cannula **22**. After inserting the delivery cannula **36** to the desired location, the removable cap **38** is removed to allow access to the hub **34**.

[0054] Returning to FIG. 2A, the delivery cannula **36** defines a proximal end **80** and a distal end **82**, and forms one or more side orifices **84** adjacent the distal end **80** and in fluid communication with an internal lumen **86**. In addition, the delivery cannula **36** includes a deflectable segment **88** (referenced generally) defining a pre-set curve or bend **90**. As described below, the deflectable segment **88**, and in particular the bend **90**, includes or extends from the distal end **82**, and has a shape memory attribute whereby the deflectable segment **88** can be forced from the curved shape (shown in FIG. 2A) to a substantially straightened shape, and will naturally revert back to the curved shape upon removal of the force.

[0055] The proximal end **80** is axially open to the lumen **86**. Conversely, the distal end **82** is axially closed to the lumen **86** (i.e., material cannot be axially expelled from the distal end **82** relative to an axis of the lumen **86**). That is to say, material in the lumen **86** cannot be forced distally therefrom in an axial fashion. Further, the distal end **82** defines or includes a blunt tip **100**. For example, in one embodiment, the blunt tip **100** defines a hemispherical surface, although other blunt (i.e., curved or curvilinear) shapes or contours are also acceptable. The blunt tip surface **100** is adapted to provide a non-traumatic surface suitable for accessing, contacting and probing bone or tissue while minimizing the risk of puncture and/or coring of the tissue or damage to the bone. To enhance a desired softness, the blunt tip **100** can have a differing thickness as compared to a remainder of the delivery cannula **36** such as by sintering the distal end **82** to form the blunt tip **100** (when the delivery cannula **36** is initially provided as a continuous tube). Alternatively, the blunt tip **100** can be formed apart from a remainder of the delivery cannula **36** and subsequently attached to the delivery cannula **36** to form the distal end **82** (e.g., the delivery cannula **36** can include a first tubular body formed of a hardened material along with a second, solid body

-15-

formed of a softer material attached (e.g., welded) to the tubular body to form the distal end 82/blunt tip 100).

[0056] With reference to FIGS. 2A and 2B, the side orifice(s) 84 is formed adjacent the distal end 82, extending through a thickness of a sidewall of the delivery cannula 36. In one embodiment, a single orifice 84 is provided, and is located "opposite" a direction of the bend 90. In other words, relative to the longitudinal cross-sectional view of FIG. 2A, a direction of the bend 90 serves to form the delivery cannula 36 to define an interior bend side 102 and an exterior bend side 104. With these designations in mind, the side orifice 84 is formed along, and is open relative to, the exterior bend side 104. It has surprisingly been found that by positioning the side orifice 84 "opposite" the bend 90, users will experience enhanced control over the direction in which curable material is distributed from the delivery cannula 36, as well as improved safety.

Alternatively, a greater number of side orifices 84 can be provided that may or may not be circumferentially aligned and may or may not be located along the exterior bend side 104 of the delivery cannula 36. In general, the side orifice 84 is offset at least a distance D1 from the distal end 82. In one embodiment, the distance D1 is between 0.05 inches and 0.5 inches, and preferably the distance D1 is between 0.1 inches and 0.25 inches. With this configuration, even when the blunt tip 100 is pressed against tissue or bone, the side orifice(s) 84 is "open" and thus available for dispensing (or aspirating) material. Further, the side orifice(s) 84 provides a radial dispensing or flow direction relative to a longitudinal axis of the delivery cannula 36.

[0057] The side orifice(s) 84 can assume a wide variety of shapes and sizes (relative to an exterior surface of the delivery cannula 36). For example, the side orifice(s) 84 can be oval, circular, curvilinear, etc. In one embodiment, and with reference to FIG. 3A, a chamfered region 106 can be formed about the side orifice 84 to eliminate sharp edges along an exterior of the delivery catheter 36 as well as to promote consistent flow of curable material from the side orifice 84 (via the expanding orifice size effectuated by the chamfered region 106). With embodiments where the side orifice 84 is non-circular, an orifice length L and

-16-

width *W* are defined. To this end, the length *L* is greater than 0.050 inch, preferably greater than 0.075 inch, and even more preferably greater than 0.100 inch. While the width *W* of the side orifice 84 may or may not be less than the length *L* (e.g., on the order of 0.042 inch in one embodiment), the side orifice 84 is properly characterized as being relatively large, especially as compared to conventional bone cement delivery needles that otherwise provide only an axial orifice or opening at the distal tip.

[0058] In particular, and with additional reference to FIG. 3B (otherwise illustrating a cross-sectional view of the delivery cannula 36 taken through the side orifice 84), the delivery cannula 36 defines an inside diameter ID (i.e., a diameter of the lumen 86). The side orifice 84 is fluidly connected to the lumen 86 and extends in a radial fashion. With these conventions in mind, in one embodiment, the length *L* of the side orifice 84 is greater than the inside diameter ID of the delivery cannula 36. As such, at least one linear dimension of the side orifice 84 is larger than any orifice dimension that could otherwise be achieved were an orifice to be formed at the distal end 82 (i.e., an axially extending orifice). That is to say, an orifice formed at the distal end 82 of the delivery cannula 36 (as is conventionally employed in the bone cement delivery needle art) is limited in size (i.e., diameter) by the inside diameter ID of the delivery cannula 36. In contrast, the side orifice 84 in accordance with principles of the present invention is much larger, presenting a distinct advantage when attempting to pass a low viscosity liquid (curable material such as bone cement) there through.

[0059] With reference to FIGS. 3C - 3E, the closed distal end 82 of the delivery cannula 36 can embody numerous different configurations in addition to the rounded distal end 82 depicted in FIG. 3A. The closed distal end 82 may also be a substantially flat tip, as depicted in FIG. 3C, a sharp "trocar" tip, as depicted in FIG. 3D, or a sharp "pencil" tip, as depicted in FIG. 3E. The flat tip advantageously reduces the risk of puncture through body tissue. Conversely, when desired, the sharp tip configurations advantageously allow a physician to push the delivery cannula 36 through body tissue with less force than with a blunt tip.

-17-

[0060] Returning to FIG. 2A, in one embodiment, the delivery cannula 36 defines a continuous length between the proximal end 80 and the distal end 82, with the deflectable segment 88, and in particular the bend 90, extending along approximately 25% of the length from the distal end 82 (where the "length" of the delivery cannula 36 is the length of extension from the hub 34 upon final assembly). In other embodiments suited for other surgical procedures, the deflectable segment 88, and in particular the bend 90, extends along between 10%-50% of the length of the delivery cannula 36 as measured from the distal end 82.

[0061] To facilitate delivery of a curable material (e.g., bone cement) into a confined site within bone (such as with a vertebroplasty procedure), the deflectable segment 88 can be formed to define the bend 90 at a pre-determined radius of curvature R appropriate for the procedure in question. In one embodiment, the bend 90 is J-shaped (approximating at least a 90 degree bend) and defines the radius of curvature R to be less than 1.5 inches, preferably in the range of 0.25 - 1.5 inches. In one preferred embodiment, the bend 90 defines the radius of curvature R to be approximately 1 inch. Alternatively, and as described in greater detail below, the radius of curvature R can be greater or lesser, depending upon the particular procedure for which the delivery cannula 36 is to be employed.

[0062] Further, to facilitate ready deflection of the deflectable segment 88 from the curved shape to a substantially straightened state (such as when the delivery cannula 36 is inserted within the outer guide cannula 22 (FIG. 1)) and reversion back to the curved shape, the delivery cannula 36, or at least the deflectable segment 88, is formed of a shape memory metal. In one embodiment, the delivery cannula 36 comprises Nitinol (TM), a known shape memory alloy of nickel (Ni) and titanium (Ti). In one embodiment, the bend 90 is formed in the delivery cannula 36 by deforming a straight fluid delivery cannula under extreme heat for a prescribed period of time, which pre-sets a curved shape in the delivery cannula 36.

[0063] In another embodiment, the pre-set curve or bend 90 is formed in an initially straight cannula by cold working the straight cannula and applying a

-18-

mechanical stress. Cold working permanently locks a crystalline structure (for example, a partial martensitic crystalline structure) in a portion (i.e., the deflectable segment 88) of the cannula, while an unstressed portion remains in, for example, an austenitic structure.

[0064] In addition to Nitinol, other materials exhibiting this shape memory behavior can be employed, including superelastic or pseudoelastic copper alloys, such as alloys of copper, aluminum, and nickel, and alloys of copper, aluminum, and zinc, and alloys of copper and zinc. Regardless, the deflectable segment 88 is formed to be resilient and to naturally assume the desired radius of curvature R. In this manner, after the delivery cannula 36, and in particular the deflectable segment 88, is flexed to a substantially straightened shape (not shown), upon a subsequent relaxation, the deflectable segment 88 “remembers” the pre-set curved shape and reversibly relaxes/returns to the bend 90, as described in detail below.

[0065] The above material selection in combination with delivery of curable liquid through one or more, relatively large side orifice(s) (otherwise positioned proximal of the distal end 82) and the blunt tip 100 has surprisingly been found to allow the delivery cannula 36 to be smaller and thinner than conventional bone cement delivery needles (i.e., having an outer diameter of approximately 0.125 inch, yet still provide sufficient structural integrity to perform all desired procedures entailing delivery of curable material to, or removal of material from, a site within bone. More particularly, and as best shown in FIG. 3B, the delivery cannula 36 defines the inside diameter (ID) and an outside diameter (OD). In one embodiment, the inside diameter ID is in the range of 0.040-0.090 inch, preferably in the range of 0.050-0.080 inch, and more preferably in the range of 0.047-0.067 inch. The outside diameter OD is selected to permit the delivery cannula 36 to be co-axially received by the outer guide cannula 22 (FIG. 1). With this in mind, and in one embodiment, the outside diameter OD is in the range of 0.030-0.10 inch, preferably not greater than 0.090 inch, more preferably in the range of 0.060-0.090 inch, and more preferably in the range of 0.072-0.082 inch. Thus, in one embodiment, the delivery cannula 36 is of a reduced outer diameter and thickness as compared to available bone cement delivery needles (e.g., the curved needle

-19-

available with the OSTEO-RX™ product line has an outside diameter of 0.092 inch and a wall thickness of 0.027 inch). By way of example, but in no way limiting, an exemplary delivery catheter was constructed in accordance with principles of the present invention having an outside diameter of approximately 0.077 inch and a wall thickness of 0.015 inch, and was found to be highly suitable for performing a vertebroplasty procedure. This represents a distinct advancement not heretofore available to surgeons.

[0066] An additional feature of the delivery cannula 36 in accordance with one embodiment is best shown in the plan view of FIG. 1. More particularly, the delivery cannula 36 includes indicia 110 (reference generally) adjacent the proximal end 80. The indicia 110 is indicative of a location of the distal end 82 relative to the distal tip 28 of the guide cannula 22 upon insertion of the delivery cannula 36 within the guide cannula 22. For example, the indicia 110 can include first, second, and third depth markings 110a, 110b, 110c. A longitudinal location of the first depth marking 110a relative to the distal end 82 (when the delivery cannula 36 is forced to a substantially straightened state) is commensurate with a length of the guide cannula 22 in combination with the handle 30 (where provided). That is to say, the first depth marking 110a is located at a linear distance from the distal end 82 such that upon insertion of the delivery cannula 36 within the guide cannula 22 (otherwise forcing the delivery cannula 36 to a substantially straightened state), when the distal end 82 is at or even with the distal tip 28 of the guide cannula 22, the first depth marking 110a will be proximally adjacent or aligned with (and visible relative to) a proximal side of the handle 30. Thus, a user can quickly and easily have visual confirmation that the distal end 82 is within the guide cannula 22. The second and third depth markings 110b, 110c are proximally spaced from the first depth marking 110a at known increments (e.g., 0.5 cm, 1.0 cm, etc.) that represent length of distal extension of the distal end 82 relative to the distal tip 28. For example, where the second depth marking 110b is longitudinally spaced (proximally) a distance of 0.5 cm from the first depth marking 110a and the third depth marking 110c is spaced 0.5 cm from the second depth marking 110b, during use when the delivery cannula 36 is inserted

-20-

within the guide cannula 22 such that the second depth marking 110b is aligned with the proximal side of the handle 30, a user can visually confirm (from a location away from the surgical site and outside of the patient) that an approximately 0.5 cm length of the delivery cannula 36 is extending distal the distal tip 28 of the guide cannula 22. Similarly, when the third marking 110c is aligned with the proximal side of the handle 30, an approximately 1.0 cm length of the delivery cannula 36 is exposed distal the distal tip 28. The indicial 110 can assume a wide variety of forms differing from that shown in FIG. 1, and in some embodiments can be eliminated.

[0067] With reference to FIG. 4, assembly of the delivery cannula device 26 includes first securing the hub 34 to the delivery cannula 36. In one embodiment, the hub 34 is overmolded onto the delivery cannula 36. To provide enhanced tensile strength at the hub 34/delivery cannula 36 interface, in one embodiment, a support body 112 is secured to the delivery cannula 36 adjacent the proximal end 80 (referenced generally) prior to forming/overmolding the hub 34. The support body 112 is preferably a rigid material amenable to affixment to the delivery cannula 36 material (e.g., where the delivery cannula 36 is formed of Nitinol, the support body 112 can also be formed of Nitinol and thus easily welded to the delivery cannula 36). The support body 112 can assume a variety of shapes and sizes, but in one embodiment, is rectangular (a thickness on the order of 0.035 inch, width on the order of 0.05 inch, and a length on the order of 0.2 inch, although other dimensions are equally acceptable) so that when applied to the otherwise circular (in transverse cross-section) delivery cannula 36, the support body 112 provides flat surfaces onto which the hub 34 is overmolded. This flat surface area interface, in turn, overtly resists “slipping” of the hub 34 relative to the delivery cannula 36 and vice-versa in response to a tensile, compressive, and/or torsional force(s) placed on either component. For example, in instances where the distal end 82 of the delivery cannula 36 is inserted or lodged within bodily material (e.g., bone or tissue) at a surgical site and a proximal pulling force is placed on the hub 34 (for example, via the handle 40), the delivery cannula 36 will not detach from the hub 34 even though the distal end 82 “resists” proximal

-21-

movement (due to lodgment within the bodily material). Similarly, a rotational or torsional force placed upon the hub 34 will consistently translate onto the delivery cannula 36 via the hub 34/support piece 112 interface regardless of whether the distal end 82 “resists” rotational movement due to surgical site interactions.

Alternatively, however, the support body 112 can be omitted and is not a necessary element.

[0068] Following attachment of the hub 34 to the delivery cannula 36, the hub 34 is mounted within the handle assembly 32 as previously described. For example, the hub 34 is nested within the aperture 56 of the handle 40, and the retainer 42 is coaxially disposed over the hub 34/delivery cannula 36 and secured (e.g., threadably engaged) to the handle 40. To this end, and in one embodiment, the hub 34 is oriented relative to delivery cannula 36 such that the flattened area 78 of the hub 34 “faces” a spatial direction of the bend 90. The previously described configuration of the handle assembly 32 thus dictates that upon assembly of the hub 34 to the handle 40, the bend 90 will also extend in a known spatial direction relative to the handle 40. Alternatively, a spatial direction of the bend 90 relative to the handle 40 can be visually determined following mounting of the hub 34 thereto. Regardless, in one embodiment and as best shown in FIG. 1, the handle assembly 32 further includes directional indicia 114 (referenced generally) along an exterior of the handle 40 that provides a user with an indication of the bend 90 direction relative to the handle 40. For example, in one embodiment, the directional indicia 114 includes an arrow 114a “pointing” at the direction of the bend 90. With this configuration, a user can readily ascertain a spatial positioning of the bend 90 relative to the handle 40 when the bend 90 is inserted within the confines of a surgical site (and thus not otherwise visible to the user). The directional indicia 114 can be applied at various locations along the handle 40 such as on both major faces (one of which is visible in FIG. 1) as well as a proximal end thereof, and can assume a variety of forms. In other embodiments, the directional indicia 114 can be eliminated. Regardless, following mounting of the hub 34 to the handle assembly 32, the delivery cannula device 26 can be used to deliver a curable material into bone.

-22-

[0069] In another preferred embodiment, the present invention includes a probe (not shown) in the form of a wire that can be inserted into the delivery cannula 26 to remove blockages that may form within the delivery cannula 26. Preferably, the probe has a diameter that is smaller than the inner diameter of the delivery cannula 26 to allow material within the delivery cannula 26 to flow around the probe as the probe is inserted into the delivery cannula 26. In one preferred embodiment, the probe is flexible enough to travel through the curvature of the delivery cannula 26, but still rigid enough to remove blockages within the delivery cannula 26.

[0070] Although the delivery cannula device 26 has been described as including the delivery cannula 36 otherwise forming one side orifice 84, a variety of other configurations are also acceptable. For example, two, circumferentially aligned side orifices can be provided. Further, FIG. 5 illustrates portions of another embodiment delivery cannula device 120 in accordance with principles of the present invention. The delivery cannula device 120 includes a delivery cannula 122 that extends a length between a proximal end 124 and a distal end 126, and a hub 128 coupled to the proximal end 124. The delivery cannula 122 is similar to the delivery cannula 36 (FIG. 2A) described above (including a blunt tip), but forms a series of longitudinally aligned side orifices 130, spaced along a length of the delivery cannula 122, and fluidly connected to an internal lumen (not shown). Further, the delivery cannula 122 includes a deflectable segment 132 forming a pre-set curve 134, similar to previous embodiments.

[0071] A distal-most side orifice 130a is offset the distance D1 from the distal end 116. Once again, the distance D1 is, in one embodiment, in the range of 0.05-0.5 inch, preferably in the range of 0.1-0.25 inch. A longitudinal spacing between the remaining side orifices 130 proximal the distal-most side orifice 130a can vary. Preferably, however, the second side orifice 130b defines a smaller sized opening as compared to the distal-most side orifice 130a, and the third side orifice 130c is smaller than the second side orifice 130b. This reduction in side orifice size proximal the distal end 126 promotes consistent distribution of curable material otherwise being forced through the delivery cannula 122.

-23-

[0072] While three of the side orifices **130** are shown, other configurations are also acceptable. For example, multiple side orifices (i.e., more than three side orifices) can be formed longitudinally along the length of the delivery cannula **122**, and in addition, the side orifices **130** can include more than one longitudinally aligned series of side orifices. In an exemplary embodiment, the side orifices **130** that are visible in FIG. 5 are matched by another column of longitudinally aligned side orifices formed on an opposing side of the delivery cannula **122** (and therefore not visible in the view of FIG. 5). Aspects of the present invention provide for the side orifices **130** to define circular side orifices, non-circular side orifices, or a set of circular and non-circular side orifices.

[0073] As a point of reference, the pre-set curve **134** is curved away from a central axis **C** of the delivery cannula **122** such that the curvature of the pre-set curve **134** is less than the radius of curvature **R** of the pre-set curve **90** (FIG. 2A) previously described, thus illustrating another embodiment in accordance with principles of the present invention. In addition, while the side orifices **130** are depicted as formed along the pre-set curve **134**, in another embodiment at least one of the side orifices **130** is formed proximal the pre-set curve **134**.

[0074] In other preferred embodiments, the delivery cannula **36** can comprise multiple pre-set curves to allow better delivery of curable material within a cavity. With reference to FIGS. 5A and 5B, preferred additional delivery cannula configurations are shown. In each of these configurations with multiple pre-set curves, the delivery cannula can comprise an open end **147** or a closed end **148** and contain one or more side orifices **149**. A delivery cannula having multiple preset curves can be shaped according to the methods described previously herein and have a shape memory characteristic.

[0075] Regardless of an exact configuration, the assembled delivery cannula device (such as the delivery cannula device **26** of FIG. 4) in accordance with principles of the present invention is highly useful in performing a wide variety of bone stabilizing procedures as part of an overall curable material delivery system. To this end, FIG. 6A illustrates an intraosseous curable material delivery system **150** according to one embodiment of the present invention, employed to perform a

-24-

vertebroplasty procedure. The system 150 includes the outer guide cannula 22, the delivery cannula device 26, a curable material source 152 fluidly coupled to the delivery cannula device 26, and a controller 154 coupled to at least the curable material source 152.

[0076] The curable material source 152 includes, in one embodiment, a canister 160 containing a curable material as previously described, and tubing 164 extending from the canister 160 to the handle assembly 30 of the delivery cannula device 26. In this regard, the tubing 164 terminates at a fitting 166 configured to removably attach to the hub 34. In particular, the fitting 166 is configured to fit within the passage 52 of the handle 40 and removably couple to the hub 34. In one embodiment, the fitting 166 threads onto a Luer thread defined by the hub 34. In another embodiment, the fitting 166 snap-fits over the hub 34. Alternatively, a wide variety of other attachment configurations are also available.

[0077] The controller 154 can assume any form known in the art and is coupled to the curable material source 152. In an exemplary embodiment, the controller 154 controls a mass flow and a mass flow rate (i.e., a fluid delivery rate) of curable material from the canister 160 to the delivery cannula device 26. The controller 154 can include a variety of actuators (e.g., switch(es), foot pedal(s), etc.) affording a user the ability to remotely control liquid flow into the delivery cannula 36. Alternatively, manual control can be employed such that the controller 154 can be eliminated.

[0078] During a palliative bone procedure, with the delivery cannula 36 partially retracted within, or entirely removed from, the outer guide cannula 22, the outer guide cannula 22 is located at a desired delivery site within bone. For example, in a vertebroplasty procedure the outer guide cannula 22 is introduced into a vertebra 180, preferably at a pedicle 182. In this regard, the vertebra 180 includes a vertebral body 184 defining a vertebral wall 186 surrounding bodily material (e.g., cancellous bone, blood, marrow, and other soft tissue) 188. The pedicle 182 extends from the vertebral body 184 and surrounds a vertebral foramen 190. In particular, the pedicle 182 is attached posteriorly to the vertebral body 184 and together they comprise the vertebrae 180 and form the walls of the

-25-

vertebral foramen 190. As a point of reference, the intraosseous system 150 is suitable for accessing a variety of bone sites. Thus, while a vertebra 180 is illustrated, it is to be understood that other bone sites can be accessed by the system 150 (i.e., femur, long bones, ribs, sacrum, etc.).

[0079] The outer guide cannula 22 forms an access path to a delivery site 192 (or forms the delivery site 192) through the pedicle 182 into the bodily material 188. Thus, as illustrated, the outer guide cannula 22 has been driven through the pedicle 182 via a transpedicular approach. The transpedicular approach locates the outer guide cannula 22 between the mammillary process and the accessory process of the pedicle 182. In this manner, the outer guide cannula 22 provides access to the delivery site 192 at the open, distal tip 28. With other procedures, the outer guide cannula 22 can similarly perform a coring-like operation, forming an enlarged opening within bone. In one preferred embodiment illustrated in FIG. 6A, the distal tip 28 of the guide cannula 22 is positioned close to the entrance point into the delivery site 192. As will be explained in more detail herein, the smaller the projection of the distal tip 28 into the delivery site 192 allows for greater access for the delivery cannula 36 to be positioned within the delivery site 192 and deliver curable material to desired locations within the delivery site 192.

[0080] Once the outer guide cannula 22 has formed, or is otherwise positioned within bone at, the desired delivery site 192, the delivery cannula 36 is slidably inserted/distally advanced within the outer guide cannula 22. As illustrated generally in FIG. 6A, the distal end 82 of the delivery cannula 36 is poised at the distal tip 28 of the outer guide cannula 22. Approximate alignment of the first depth marking 110a with the handle 30 provides a user with visual confirmation (at a point outside of the patient) of the distal end 82 positioning relative to the outer guide cannula 22 distal tip 28. Prior to further distal movement, the delivery cannula 36 is entirely within the outer guide cannula 22 such that the deflectable segment 88 (FIG. 2A) of the delivery cannula 36 is constrained (i.e., flexed) to a substantially straightened shape that generally conforms to a shape of the outer guide cannula 22. This relationship is shown more clearly in FIG. 6B whereby a force is effectively imparted by the guide cannula 22 onto the deflectable segment

-26-

88 due to the radius of curvature **R** (FIG. 2A) defined by the deflectable segment **88** in a “natural” state being larger than an inner diameter of the guide cannula **22**. This interaction essentially “removes” the pre-set curvature of the bend **90** (FIG. 2A), forcing or rendering the deflectable segment **88** to a substantially straightened state (it being understood that because an inner diameter of the guide cannula **22** is greater than the outside diameter of the delivery cannula **36**, the deflectable segment **88** will continue to have a slight curvature within in the guide cannula **22**; thus, “substantially straightened” is in reference to the delivery cannula **36** being substantially, but not necessarily entirely, linear). Thus, prior to interaction with the delivery site **192** (FIG. 6A), the delivery cannula **36** is flexed in a substantially straight, non-curved orientation within the outer guide cannula **22**.

[0081] The delivery cannula device **26**, and in particular the delivery cannula **36**, is then distally advanced within the guide cannula **22** as shown in FIG. 6C. In particular, the delivery cannula **36** is distally maneuvered such that at least a portion of the deflectable segment **88** extends beyond the open tip **28** of the guide cannula **22** and into the delivery site **192**. The now unrestrained portion of the deflectable segment **88** naturally deflects laterally (from the substantially straight shape described above) upon exiting the guide catheter **22**, reverting to the pre-set curvature of the bend **90** previously described due to the shape memory characteristic. The user can visually confirm a length of distal extension of the delivery catheter **36** from the guide catheter **22** via a longitudinal positioning of the indicia **110b** or **110c** (the indicia **110c** being visible in FIG. 6C) relative to the handle **30**. Further, the directional indicia **114** indicates to a user (at a point outside of the patient) a spatial direction of the bend **90** within the delivery site **192** relative to a spatial position of the handle **40**.

[0082] In connection with distal advancement of the delivery cannula **36**, the blunt tip **100** of the distal end **82** is hemispherically shaped (or other non-sharpened or blunt shape) and thus atraumatic relative to contacted tissue/bone. In this manner, the blunt tip **100** can contact and/or probe the vertebral wall **186** with a minimum of risk in puncturing or coring the vertebral body **184**. Thus, the blunt

-27-

tip 100 offers an advantage over the conventional, sharp-edged bone cement delivery needles, and does not require a separate wire to prevent coring as is otherwise necessary with available curved needles.

[0083] The side orifice 84 is offset from the distal end 82 and is, therefore, available to deliver curable material into, and remove bodily material from, the delivery site 192. In particular, the side orifice 84 can eject curable material radially from, and aspirate bodily material into, the delivery cannula 36, even when the distal end 82 is pressed against a surface, such as an interior wall of the vertebral body 184.

[0084] With the above in mind, in one embodiment, the fluid source 152 is then operated (e.g., via the controller 154) to deliver a curable material (not shown) to the delivery cannula 36 via the hub 34. Curable material entering the delivery cannula 36 is forced through the lumen 86 (FIG. 2A) towards the side orifice 84. As shown in FIG. 6D, the curable material is then dispensed/injected from the delivery cannula 36 in a radial fashion from the side orifice(s) 84 and into the delivery site 192 in a cloud-like pattern 194. Alternatively or in addition, the delivery site 192 can be aspirated by replacing the curable material source 152 (FIG. 6A) with a vacuum source (not shown).

[0085] In another embodiment, curable material is delivered to the delivery cannula 36 prior to introducing the delivery cannula 36 into the guide cannula 22. In practice, an operator may advance curable material beyond the side orifice(s) 84 the delivery cannula 36 in order to completely fill the delivery cannula 36 and then wipe the side orifice(s) 84 of excess curable material before insertion into the guide cannula 22. The delivery cannula 36 is thus preloaded with curable material before the delivery cannula 36 is connected with the guide cannula 22. Once the delivery cannula 36 is inserted into the guide cannula 22 curable material is immediately available to be delivered into the implantation site. This preloading step advantageously reduces the time required to deliver curable material into a patient because it can be done at substantially the same time the guide cannula 22 has being driven into the delivery site.

-28-

[0086] Importantly, by injecting the curable material radially from a side of the delivery cannula 36 rather than axially from the distal most end (as will otherwise occur with conventional delivery needles), the system 150 (FIG. 6A) can avoid forcing the curable material into a fracture or other defect that may in turn lead to undesirable leaking of the curable material through the fracture. By way of example, FIG. 6D illustrates a fracture 196 in the vertebral body wall 186. Vertebroplasty is a common solution to such vertebral fractures, with the accepted repair technique entailing positioning the distal end 82 at or “facing” the fracture 196 to ensure that the curable material is dispensed in relatively close proximity thereto. With known delivery needles, this preferred approach results in the curable material being injected directly toward the fracture 196. In contrast, with the delivery catheter 36 of the present invention, the distal end 82 is still “facing” the fracture 196, yet the injected curable material cloud 194 is not forced directly toward the fracture 196. Instead, the curable material cloud 194 indirectly reaches the fracture 196 with minimal retained propulsion force such that the curable material cloud 194 is unlikely to forcibly “leak” through the fracture 196. However, the delivery site 192 is, as a whole, still filled with the curable material cloud 194 to effectuate the desired repair.

[0087] As shown in FIG. 6D, an entirety of the delivery site 192 is accessible by the delivery cannula 36. To this end, while the guide cannula 22 has been inserted via a right posterior-lateral approach, the system 150 can effectuate a vertebroplasty procedure from a left posterior lateral approach, or to right or left anterior lateral approaches as shown in FIG. 6E.

[0088] In one embodiment, and returning to FIG. 6C, a desired volume of the curable material is delivered entirely through the delivery cannula 36. In other embodiments in accordance with principles of the present invention, after injecting a first volume of curable material through the delivery cannula 36, the delivery cannula 36 is disconnected from the curable material source 152 and removed from the guide cannula 22. The curable material source 152 is then fluidly connected to the guide cannula 22 (e.g., the fitting 166 is fluidly connected to a corresponding fluid port/hub provided with the handle 30) and then operated to

-29-

inject a second volume of curable material to the delivery site 192 via the guide cannula 22.

[0089] In another preferred embodiment, the tubing 164 supplying curable material is rotatably coupled to the delivery cannula device 26. With further reference to FIG. 6C, in this embodiment an optional rotatable connector 29 is located between the delivery cannula 26 and the source 152 of curable material to allow the delivery cannula 26 and source 152 of curable material to rotate with respect to each other. Rotatable connectors suitable for curable material delivery devices are described in U.S. patent application serial no. 11/526,164, incorporated herein by reference with respect to its disclosure of the rotatable connectors. In this embodiment, the rotatable connector 29 allows a physician to rotate the delivery cannula 26, and thus rotate the curved end of the delivery cannula 26 within the implantation site, without requiring the source of curable material to be disconnected from the delivery cannula 26 or rotated with respect to the delivery cannula. In a preferred embodiment, the rotatable connector 29 is operative to rotate the delivery cannula 26 preferably about 90 degrees and more preferably about 360 degrees.

[0090] In more general terms, during the palliative bone procedure, a clinician operating the intraosseous system 150 extends a portion of the pre-set curve 90 into the delivery site 192 otherwise defined within bone. In one embodiment, a subsequent rotation of the delivery cannula 36 rotates a spatial position of the side orifice 84 relative to the delivery site 192, thus accessing multiple planes of the delivery site 192 with only one "stick" of the outer guide cannula 22. Thus, by a combination of retracting the delivery cannula 36 within the outer guide cannula 22, distally advancing the delivery cannula 36 relative to the outer guide cannula 22, and by rotating the delivery cannula 36, multiple planes and multiple regions of the bone site of interest can be accessed by the delivery cannula 36 with a single approach of the outer guide cannula 22. Thus, for example, a unipedicular vertebroplasty can be accomplished with the system 150. FIGS. 7A-8B generally illustrate (FIGS. 7A and 7B from an anterior perspective; FIGS. 8A and 8B from a left lateral perspective) various planes/regions of the vertebral body 182 accessible

-30-

with rotation and/or advancement of the delivery cannula 36 relative to the guide cannula 22 (again with the guide cannula 22 remaining stationary). Notably, in the drawings of FIGS. 7A-8B, a direction of the bend defined by the delivery cannula 36 is not necessarily perpendicular to the plane of the page, such that the bend may not be fully evident in each view.

[0091] With reference to FIGS. 9-10, another preferred method for delivering curable material is depicted. In this preferred embodiment, a clinician creates voids 210 in soft body material 200 (e.g., cancellous bone, blood, marrow, and other soft tissue) within a bone delivery site by manipulating the curved end 90 of the delivery cannula 36. The voids 210 can then be filled with curable material. It has been observed that when voids are created, curable material delivered to the delivery site will generally flow into the voids 210 instead of the soft body material 200. As a result, a clinician can create a void 210 at a relatively small desired area, and fill primarily just that area with curable material.

[0092] According to one preferred embodiment, voids can be created through a combination of retracting the delivery cannula 36 within the outer guide cannula 22 and distally advancing the delivery cannula 36 relative to the outer guide cannula 22, thus moving the curved end 90 in a reciprocating manner. The reciprocating action causes the curved end 90 to crush the soft body tissue and create a channel 212 within the soft body material. Additionally, by retracting the delivery cannula 36 within the outer guide cannula 22 and rotating the delivery cannula 36 so that the curved end 90 will distally advance within the delivery site at a different orientation, the curved end 90 can create multiple channels 212 within the soft body tissue 200. Further, the curved end 90 of delivery cannula 36 may be advanced distally only partially within the delivery site and then removed to create shorter channels 212 within the implantation site where desired.

[0093] According another preferred embodiment shown in FIG. 10, the delivery cannula 36 can be rotated or spun after the curved end 90 has been introduced into the implantation site. The rotating or spinning of the delivery cannula 36 causes the curved end 90 to rotate or spin within the delivery site and whip through soft body tissue 200 to create a cone-shaped void 214 in the soft

-31-

tissue **200** within the delivery site. Cone-shaped voids **214** of various sizes may be created by only partially inserting the curved end **90** into the implantation site and rotating the delivery cannula **36**.

[0094] Voids **210** within the soft body tissue of various sizes and shapes can be created by using a combination of the above disclosed methods. According to one preferred method, a physician may introduce curable material within the implantation site as he or she is creating the voids within the implantation site. Thus, the voids may be created and filled at the same time.

[0095] One skilled in the art will appreciate that whether voids are first created and then filled, or curable material is delivered in a cloud-like pattern without first creating voids, the delivery cannula of the present invention can be manipulated to deliver small deposits of curable material to specific desired areas within a cavity.

[0096] In one embodiment, curable material can be delivered in different planes to form curable material structures within the cavity to stabilize the endplates of the vertebral body, as depicted in FIGS. 11A and 11B. In one preferred embodiment, curable material **232a** and **232b** is deposited proximal to the endplates **230a** and **230b** of the vertebral body so that the curable material substantially interfaces with the endplates **230a** and **230b** and provides structural support. According to one preferred embodiment, the procedure leaves a region between the curable material deposits **232a** and **232b** that contains substantially no curable material. Curable material can thus be deposited in only a particular region or regions of the cavity.

[0097] With reference to FIG. 11C, in another preferred embodiment the curable material deposits **232a** and **232b** can be connected by placing curable material between the curable material deposits **232a** and **232b** to form a curable material stabilizing column **234**. In this embodiment, curable material deposits **232a** and **232b** are first created to stabilize the endplates of the vertebral body. A stabilizing curable material column **234** is then created between the curable material deposits **232a** and **232b** to connect the curable material deposits and form a curable material structure within the vertebral body. By first stabilizing the end plates, deformities created due to compression fractures can be stabilized. By

-32-

stabilizing both end plates and then creating a column type structure between the end plates, the vertebral body stiffness may be significantly improved thereby minimizing issues of the overall strength of the vertebral body. It has been observed that depositing curable material in the known methods of depositing material in the center of the vertebral body, as typically created by a kyphoplasty procedure, or dispersed throughout the vertebral body, as typically created by a vertebroplasty procedure, do not uniformly strengthen the vertebral body.

Because the cement is concentrated in regional areas, there is only minimal stabilization of the end plates. By stabilizing both end plates and then providing a structure to secure them together, the repaired vertebral body stiffness will better approximate the normal stiffness of a non-fractured vertebral body when compared to the known vertebroplasty or kyphoplasty procedures. In another preferred embodiment, if the compression fracture is more pronounced on one end plate, stabilization of only that one end plate may be necessary and only one curable material deposit will be created proximal to the vertebral endplate. In this embodiment, a support structure may be created to connect the curable material deposit and the vertebral endplate opposite the vertebral endplate being repaired.

[0098] With reference to FIG. 12, another preferred method for delivering curable material is depicted. In this preferred embodiment, the delivery site is the sacrum 220. In this embodiment, curable material is delivered to the sacrum 220 to repair bone fragments or fractures in the sacrum. According to one preferred method of the present invention, curable material is delivered to multiple regions within the sacrum through a single access point. Preferably, a guide cannula 22 is inserted generally at the middle portion of the sacrum. As has been described above, a curved needle is inserted into and advanced relative to the guide cannula 22. The delivery cannula 36 is preferably oriented so the curved end 90 enters proximal to a first region 221 of the sacrum 220. Curable material is then delivered to the first region 221 of the sacrum 220. After curable material is delivered to the first region 221, the physician can then partially or fully retract the curved end 90 within the guide cannula and then re-orient the delivery cannula 36

-33-

and curved end 90. As the delivery cannula 36 is again advanced relative to the guide cannula 22, the curved end 90 enters proximal to a second region 222 within the sacrum 220. Curable material is then delivered to the second region 222 of the sacrum 220. The process can be repeated for other additional regions. Although the implantation site described above is the sacrum, fractures in other bones can be repaired by delivering curable material to multiple regions through the same access point using the above described methods

[0099] Although specific embodiments have been illustrated and described herein, it will be appreciated by those of ordinary skill in the art that a variety of alternate and/or equivalent implementations may be substituted for the specific embodiments shown and described without departing from the scope of the present invention. This application is intended to cover any adaptations or variations of the specific embodiments discussed herein. Therefore, it is intended that this invention be limited only by the claims and the equivalents thereof. For example, while specific reference has been made to vertebroplasty procedures, the devices, systems, and methods in accordance with principles of the present invention are equally applicable to delivering curable material within multiple other bones of a patient.

-34-

WHAT IS CLAIMED IS:

1. A method of injecting curable material to a delivery site within a bone structure, the method comprising:
 - providing a delivery cannula defining:
 - an open, proximal end,
 - a deflectable segment opposite the proximal end having a distal end,
 - a lumen extending from the proximal end, wherein the deflectable segment has a shape memory characteristic and naturally assumes a curved shape in longitudinal extension;
 - locating a distal tip of a guide cannula within the bone structure;
 - inserting the delivery cannula within the guide cannula, characterized by the deflectable segment deflecting to a substantially straightened shape within the guide cannula;
 - distally advancing the delivery cannula such that the distal end and at least a portion of the deflectable segment projects distal the distal tip, characterized by the portion of the deflectable segment distal the distal tip naturally reverting to the curved shape;
 - manipulating the delivery cannula such that at least a portion of the deflectable segment creates one or more voids in soft body tissue within the bone structure; and
 - delivering the curable material to the delivery site wherein the curable material is delivered to the one or more voids in the soft body tissue created by the deflectable segment.

2. The method of claim 1 wherein manipulating the delivery cannula comprises retracting at least a portion of the delivery cannula from the delivery site relative to the guide cannula and distally advancing the delivery cannula relative to the guide in a reciprocating manner such that at least a portion of the deflectable segment creates voids in soft body tissue within the bone structure.

-35-

3. The method of claim 1 wherein manipulating the delivery cannula comprises rotating the delivery cannula such that at least a portion of the deflectable segment creates voids in the soft body tissue within the bone structure.
4. The method of claim 1 wherein the deflectable segment of the delivery cannula terminates in a closed end and the delivery cannula further comprises a side orifice fluidly connected to the lumen.
5. The method of claim 1 further comprising the step of preloading the delivery cannula with curable material prior to inserting the delivery cannula into the guide cannula.
6. A method of injecting curable material within a bone structure, the method comprising:
 - providing a delivery cannula defining:
 - an open, proximal end,
 - a deflectable segment opposite the proximal end having a distal end,
 - a lumen extending from the proximal end,
 - wherein the deflectable segment has a shape memory characteristic and naturally assumes a curved shape in longitudinal extension;
 - locating a distal tip of a guide cannula within the bone structure;
 - inserting the delivery cannula within the guide cannula, characterized by
 - the deflectable segment deflecting to a substantially straightened shape within the guide cannula;
 - distally advancing the delivery cannula such that the distal end and at least a portion of the deflectable segment projects distal the distal tip, characterized by the portion of the deflectable segment distal the distal tip naturally reverting to the curved shape;
 - positioning the distal end distally adjacent a first region within the delivery site;
 - delivering the curable material to the first region within the delivery site;
 - positioning the distal end distally adjacent a second region within the delivery site; and

-36-

delivering the curable material to the second region within the delivery site.

7. The method of claim 6 wherein a region between the first region and second region is substantially free of curable material.
8. The method of claim 6 wherein the deflectable segment of the delivery cannula terminates in a closed end and the delivery cannula further comprises a side orifice fluidly connected to the lumen.
9. The method of claim 6 further comprising the step of preloading the delivery cannula with curable material prior to inserting the delivery cannula into the guide cannula.
10. The method of claim 6 wherein the bone structure is a vertebral body.
11. The method of claim 6 wherein the bone structure is a sacrum.
12. A cannula device for delivering a curable material, such as bone cement, into bone as part of a curable material delivery system, the device comprising:
a delivery cannula preloaded with bone cement defining:
an open, proximal end,
a deflectable segment opposite the proximal end and terminating in a closed distal end;
a lumen extending from the proximal end,
at least one side orifice formed adjacent to, and proximally spaced from, the distal end and fluidly connected to the lumen,
wherein the deflectable segment forms a curved shape in longitudinal extension and has a shape memory characteristic such that the deflectable segment is configured to assume a longitudinally, substantially straightened form when subjected to a force and naturally revert to the curved shape upon removal of the force.
13. The device of claim 12, wherein the cannula device further comprises a removable cap to cover the open, proximal end.
14. The device of claim 12, wherein the closed end is substantially flat.

-37-

15. The device of claim 12, wherein the closed end is substantially sharp.
16. The device of claim 13, wherein the closed end is substantially trocar shaped.
17. The device of claim 12 further comprising a rotatable connector to rotatably connect the delivery cannula with a source of curable material.
18. The device of claim 12, wherein the cannula device further comprises a probe operable to be inserted into the lumen.
19. The device of claim 18, wherein the probe is of a smaller diameter than the lumen to allow material to flow around the probe when inserted into the lumen.
20. A cannula device for delivering a curable material, such as bone cement, into bone as part of a curable material delivery system, the device comprising:
 - a delivery cannula defining:
 - an open, proximal end,
 - a deflectable segment opposite the proximal end and terminating in a distal end;,
 - a lumen extending from the proximal end,wherein the deflectable segment defines a plurality of curved shapes in longitudinal extension and has shape memory characteristic such that the deflectable segment is configured to assume a longitudinally, substantially straightened form when subjected to a force and naturally revert to the curved shapes upon removal of the force.
21. The device of claim 20, wherein the distal end forms an open end.
22. The device of claim 20, wherein the distal end forms a closed end and comprises at least one side orifice formed adjacent to, and proximally spaced from, the distal end and fluidly connected to the lumen,.

23. An intraosseous, curable material delivery system for delivering a curable material such as bone cement to a delivery site within bone, the system comprising:
a delivery cannula defining:
an open, proximal end,
a deflectable segment opposite the proximal end and terminating in a distal end,
a lumen extending from the proximal end,
wherein the deflectable segment has a shape memory characteristic and assumes a curved shape in longitudinal extension; and
a guide cannula defining an inner diameter greater than an outside diameter of the delivery cannula and having an open distal tip;
wherein the deflectable segment is configured to be deflectable to a substantially straightened shape such that the delivery cannula is slidable within the guide cannula, and to naturally revert to the curved shape when extended distal the distal tip for delivery of a curable material within implantation site via the distal end; and wherein the delivery cannula is smoothly slidable within the guide cannula.
24. The system of claim 23, wherein the guide cannula has a substantially smoothed inner diameter surface.
25. The system of claim 24, wherein the substantially smoothed inner diameter surface has an RMS value of about 0 to about 16.
26. The system of claim 25, wherein the substantially smoothed inner diameter surface is coated by a layer of Teflon.
27. The system of claim 23, wherein the delivery cannula has a substantially smoothed outer diameter surface.
28. The system of claim 24, wherein the substantially smoothed outer diameter surface has an RMS value of about 0 to about 16.

29. The system of claim 23, wherein the substantially smoothed outer diameter surface is coated by a layer of Teflon.
30. A curable material structure for stabilizing a vertebral body comprising:
- a first curable material deposit proximal to an endplate of a vertebral body for providing support to a first endplate of the vertebral body;
 - a second curable material deposit proximal to an endplate of a vertebral body for providing support to a second endplate of the vertebral body; and
 - a column of curable material between the first curable material deposit and the second curable material deposit for providing support to the vertebral body.

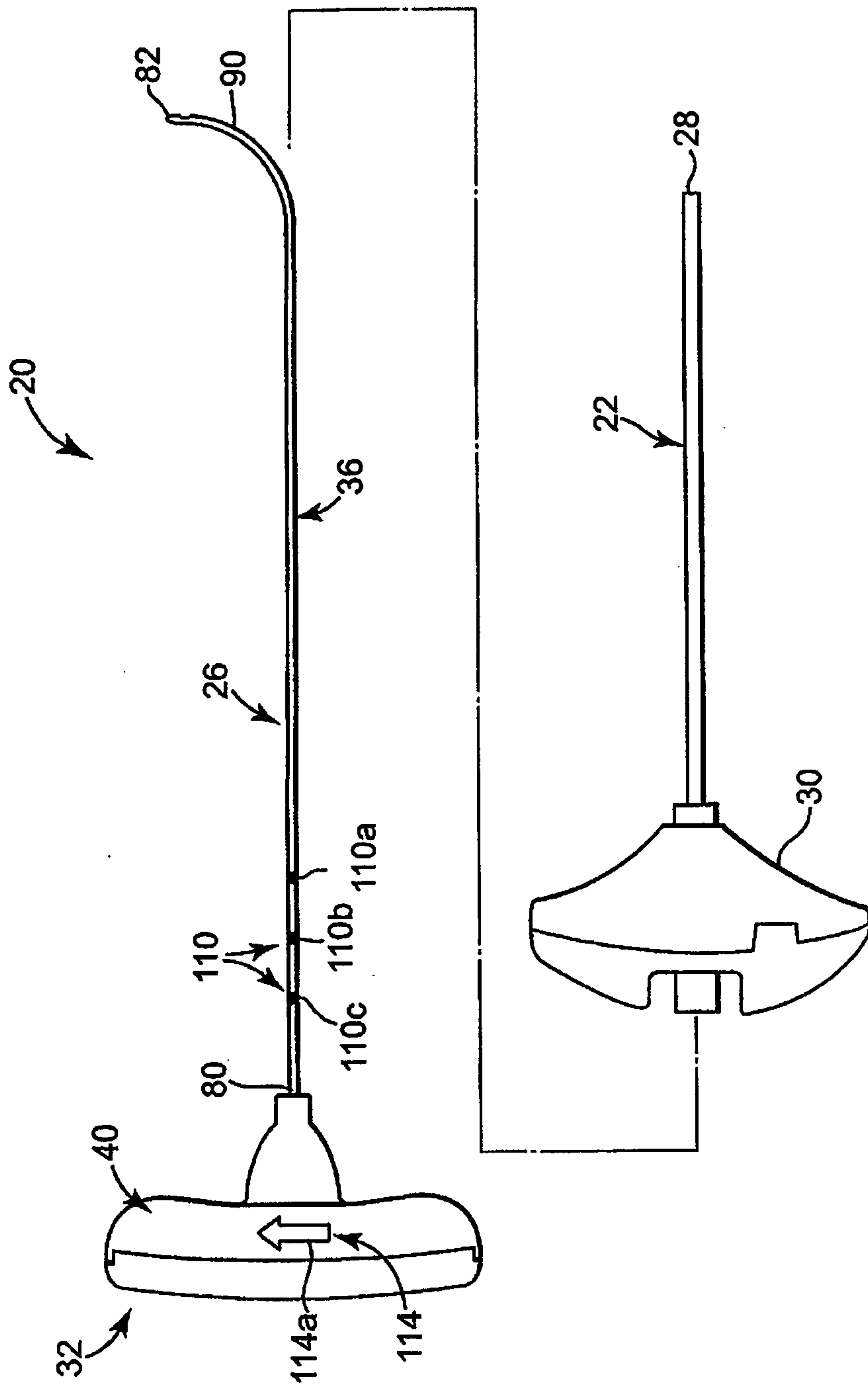


Fig. 1

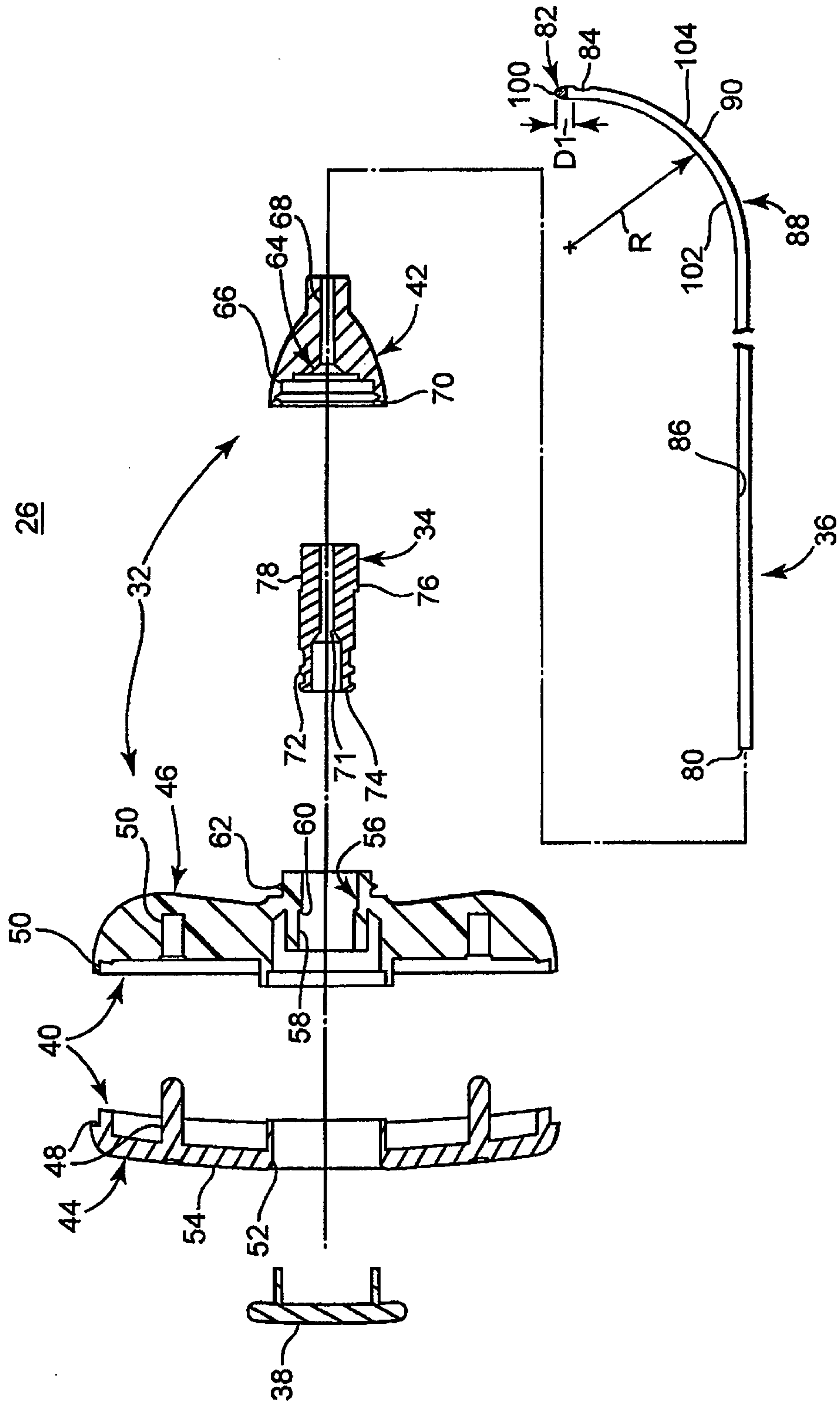


Fig. 2A

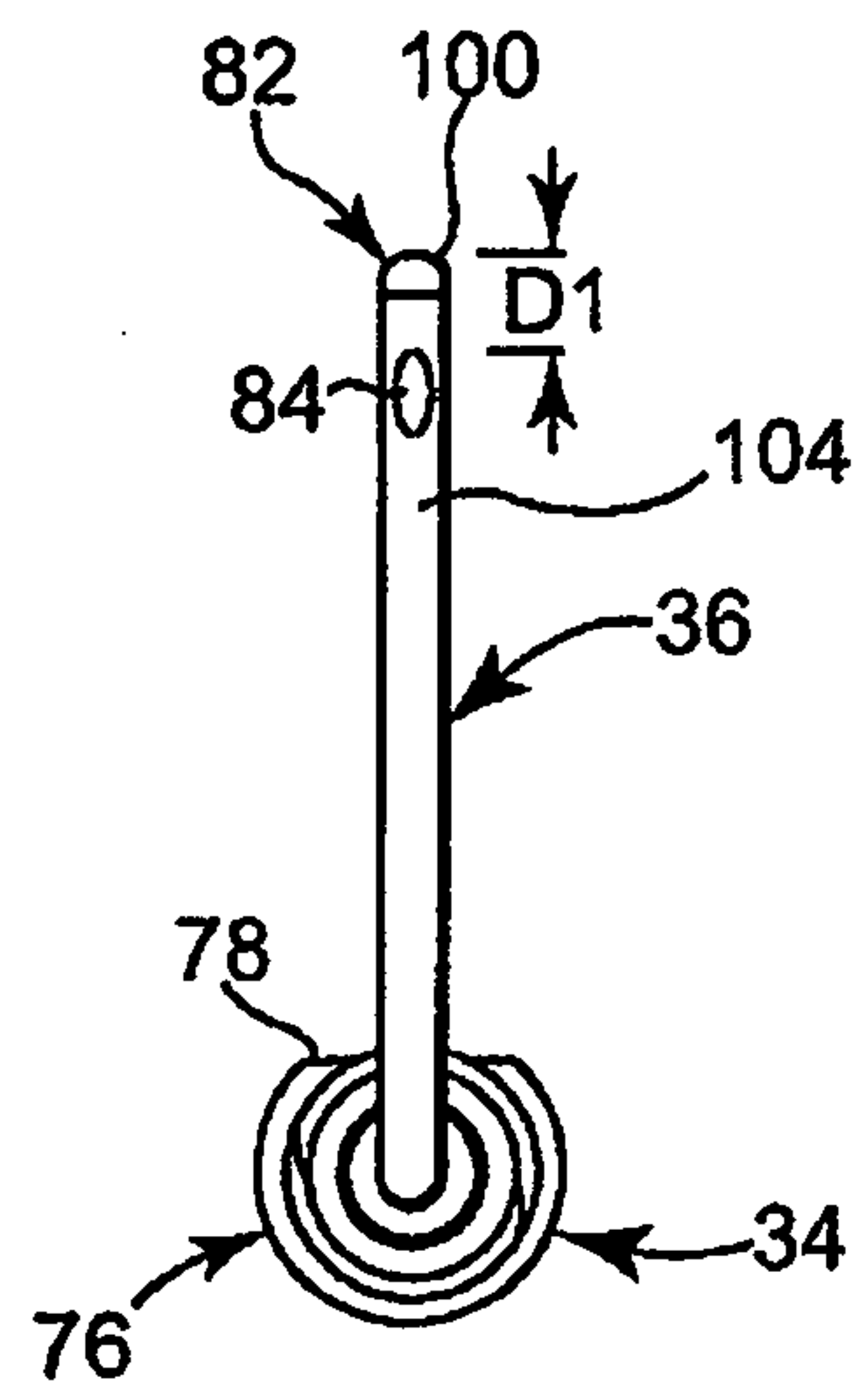


Fig. 2B

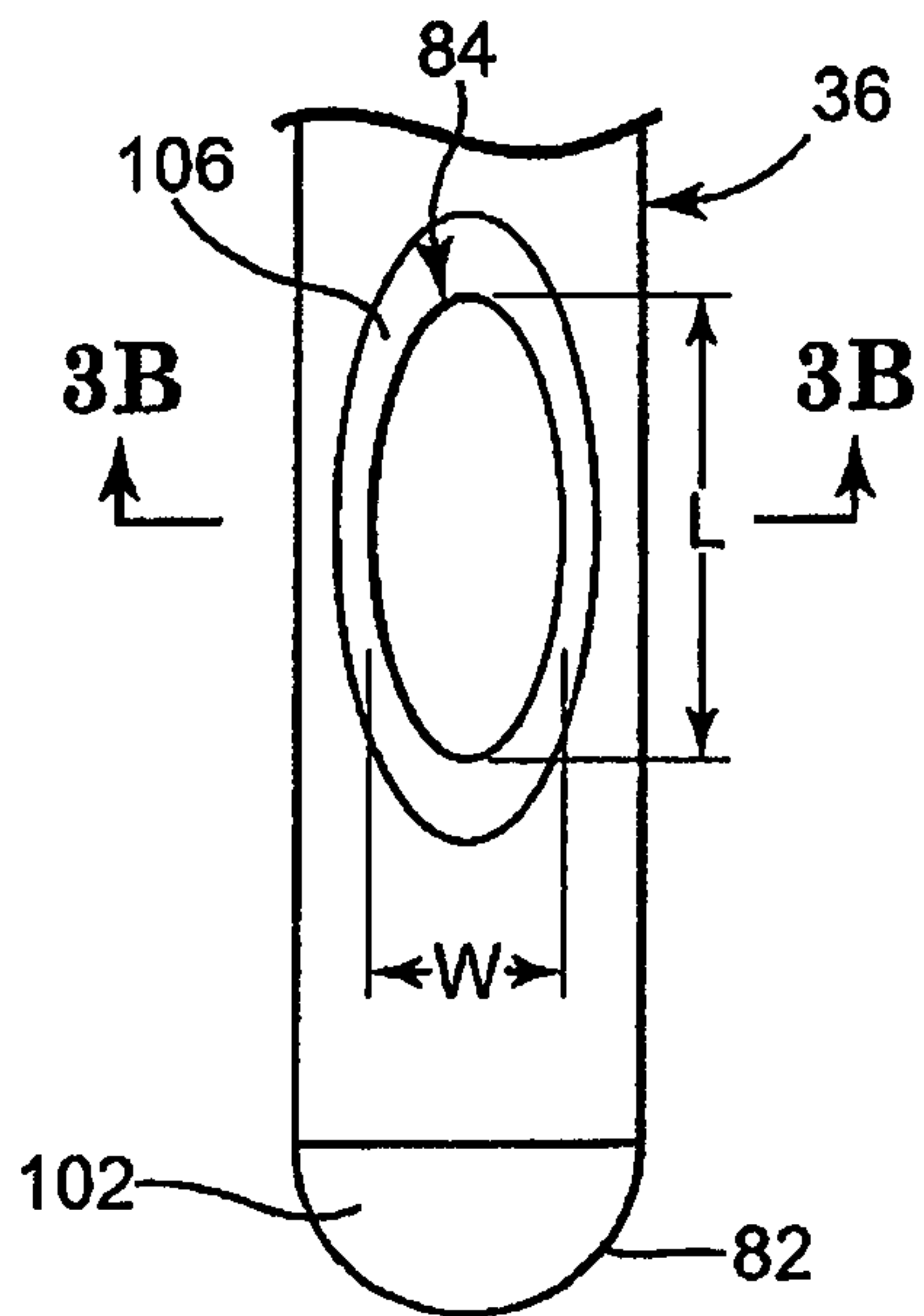


Fig. 3A

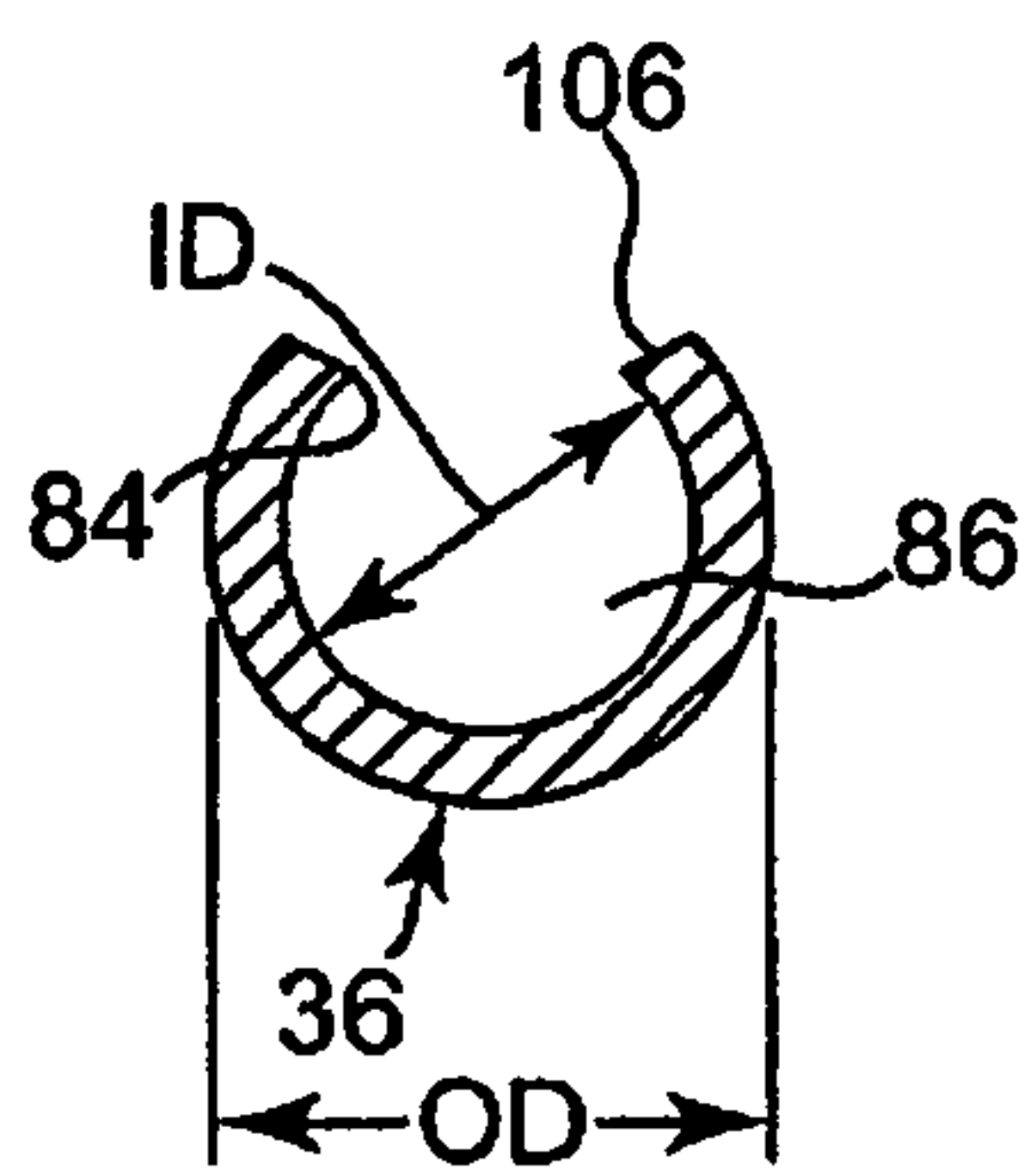


Fig. 3B

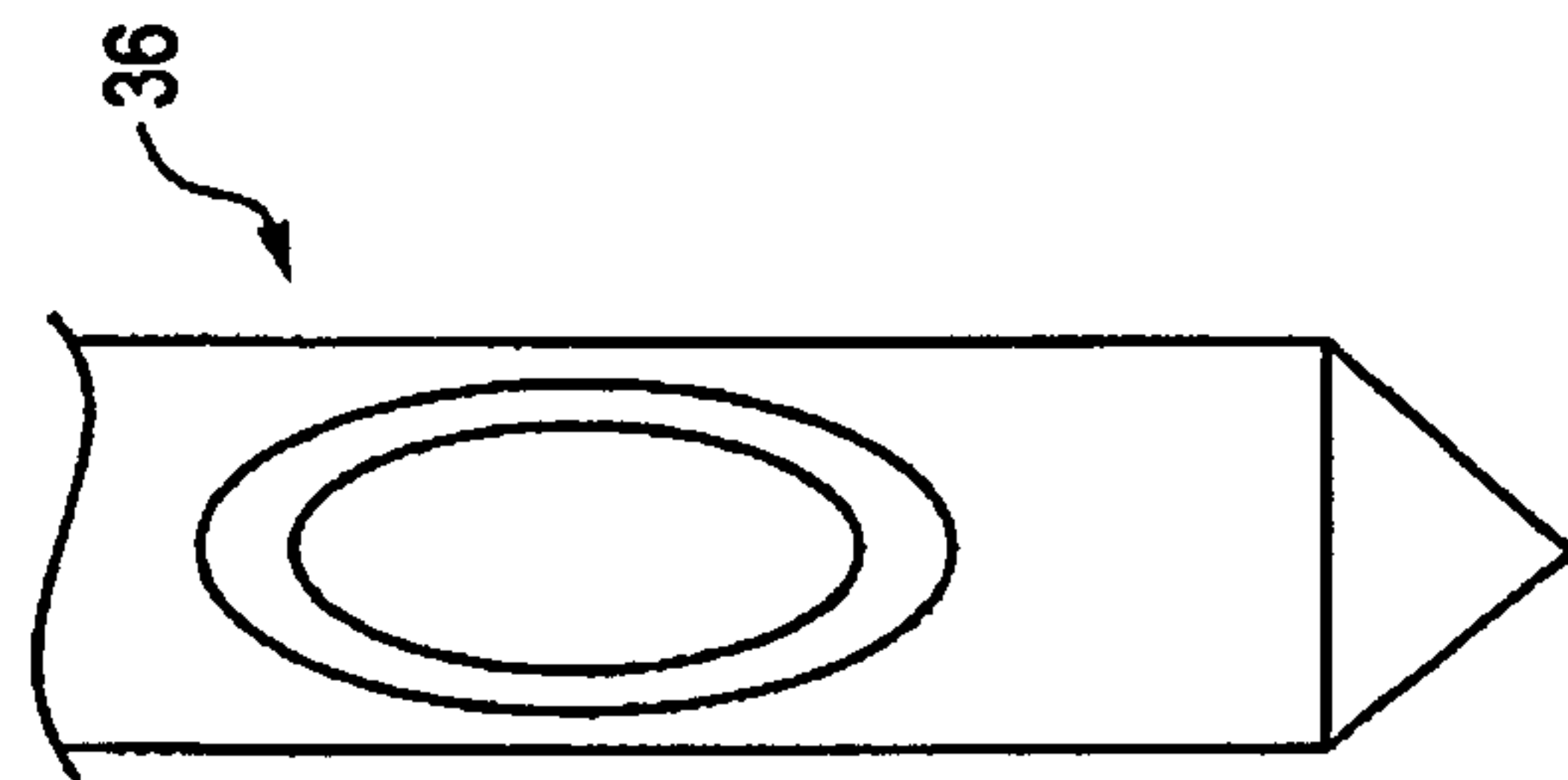


Fig. 3E

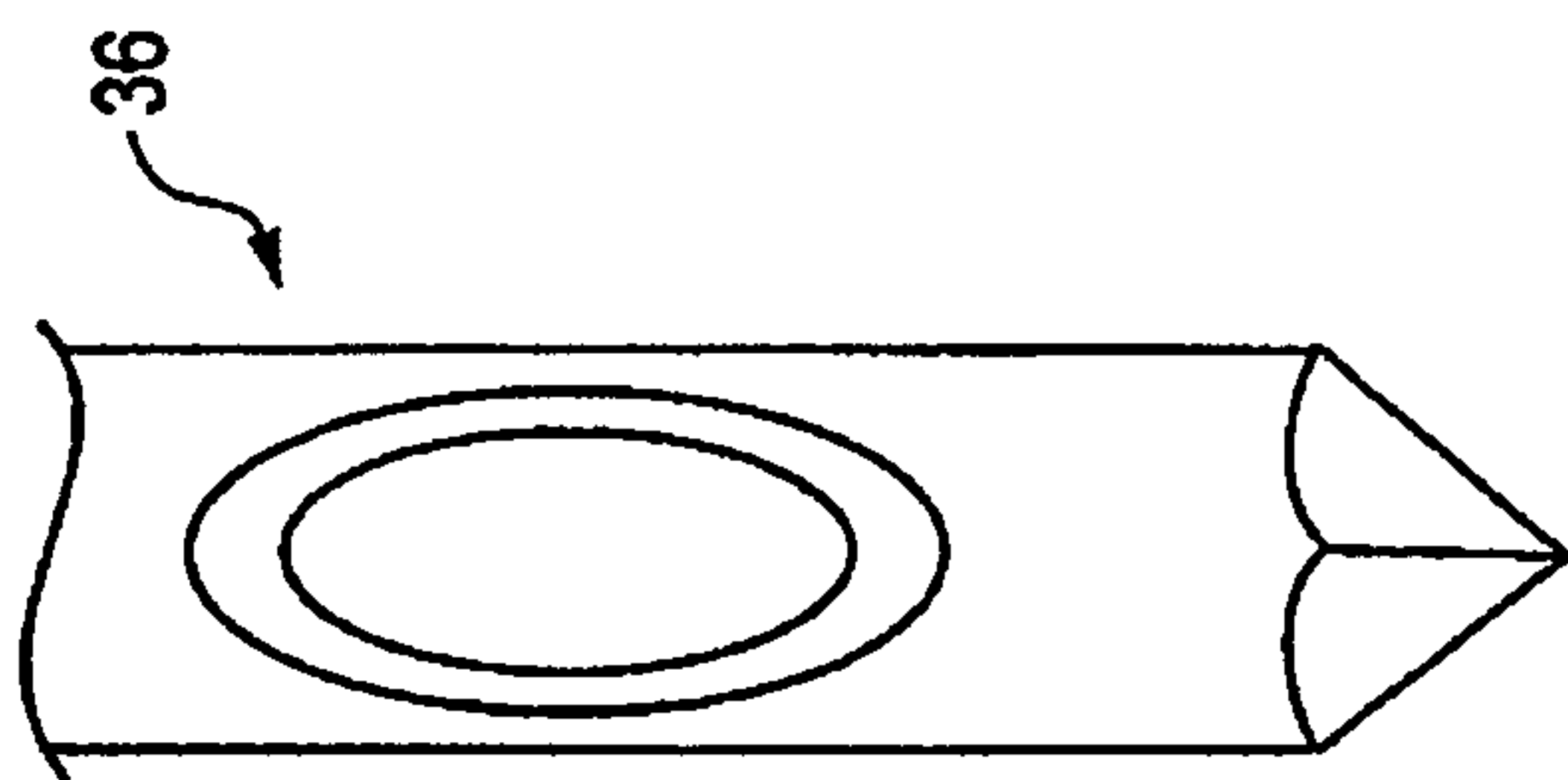


Fig. 3D

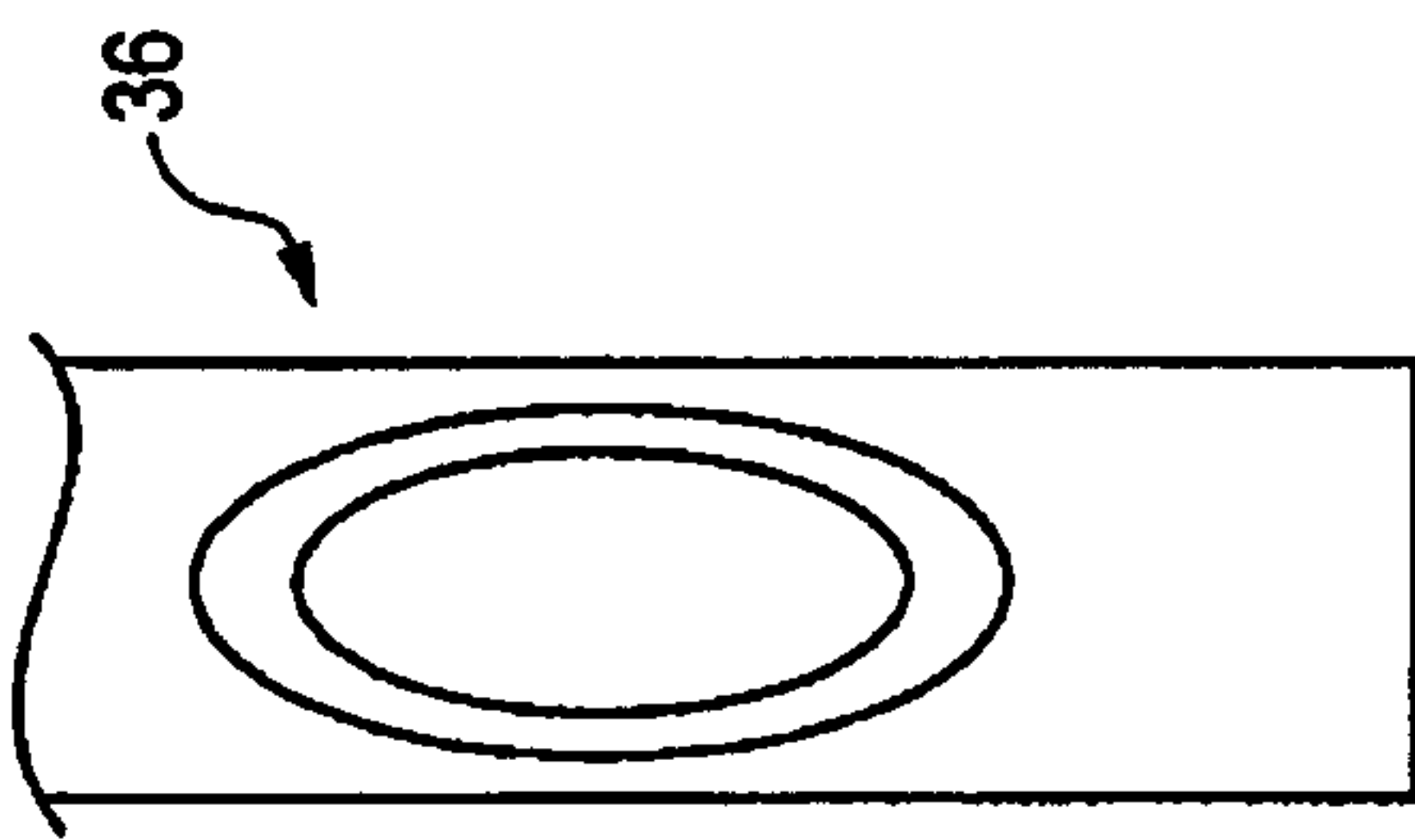


Fig. 3C

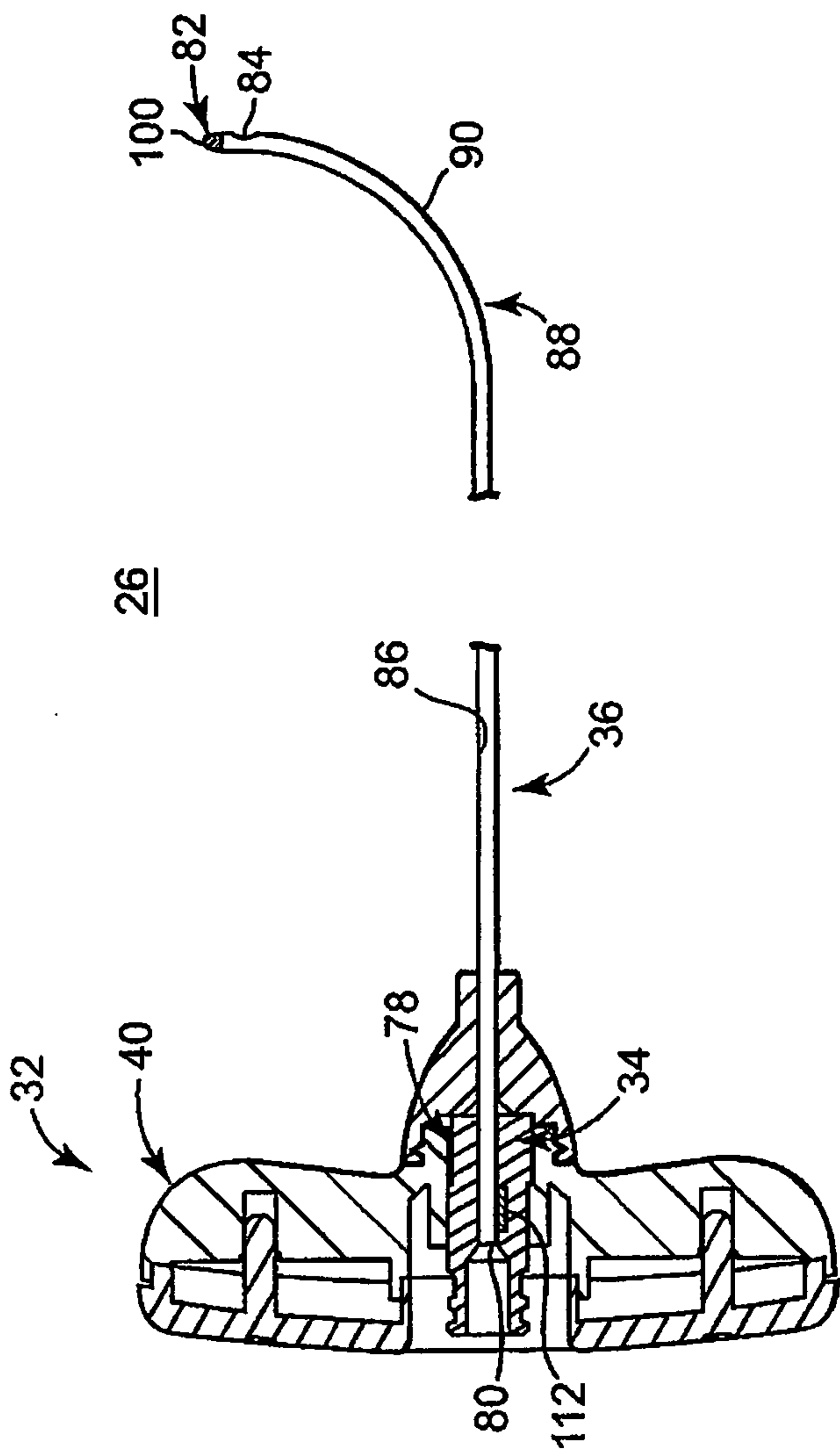


Fig. 4

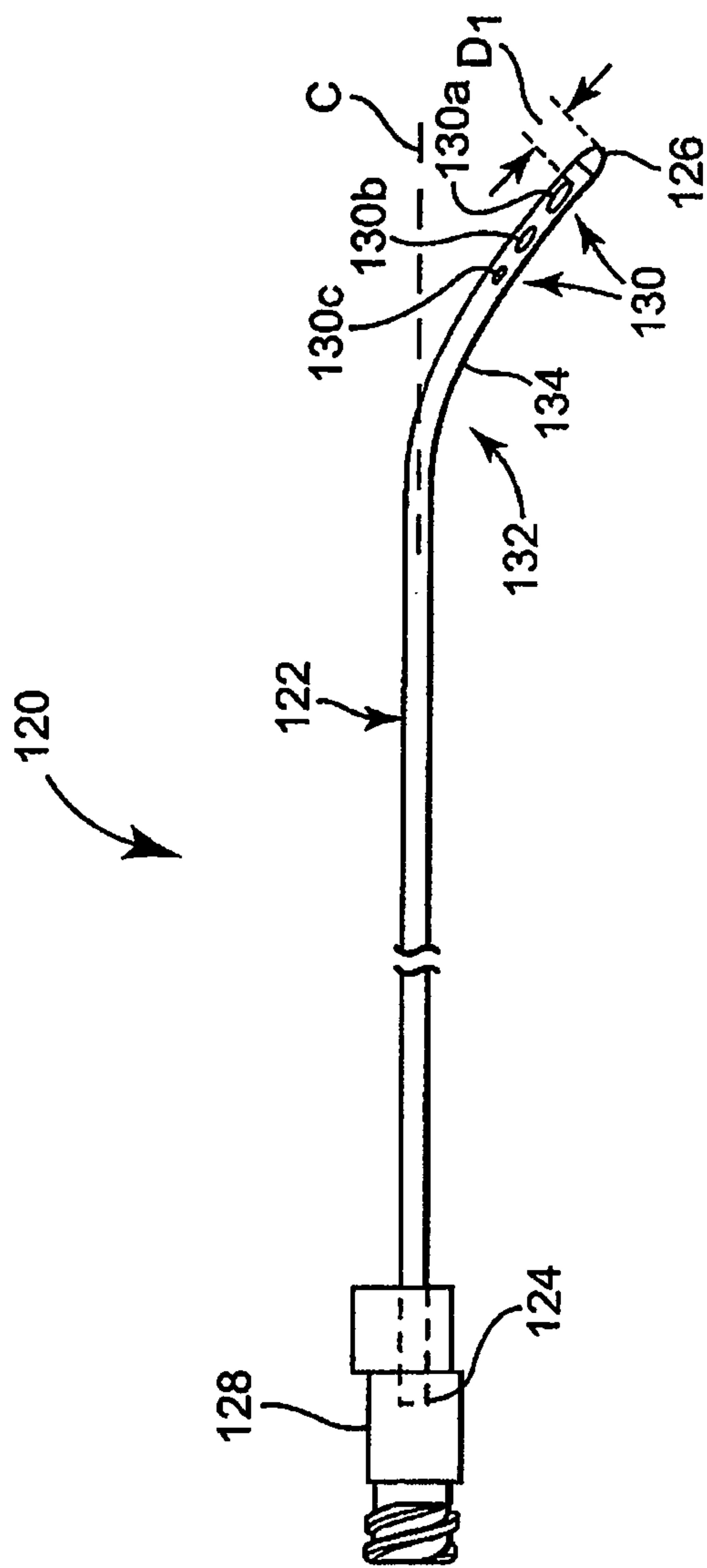


Fig. 5

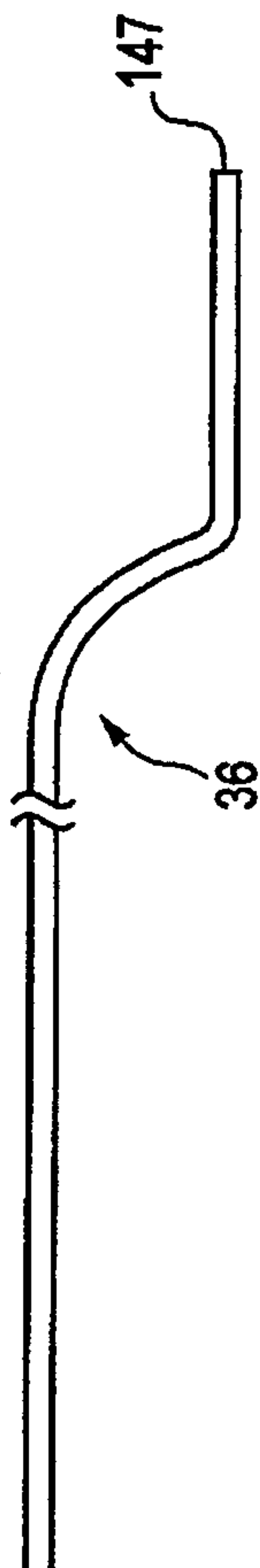


Fig. 5A

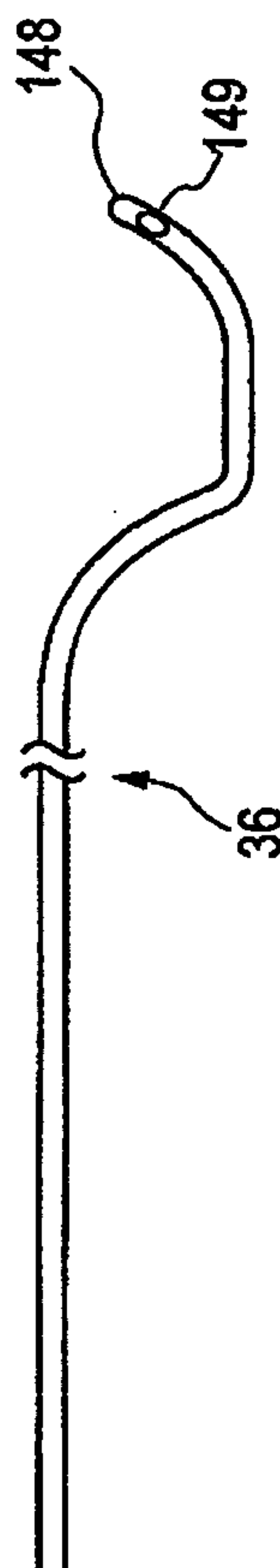


Fig. 5B

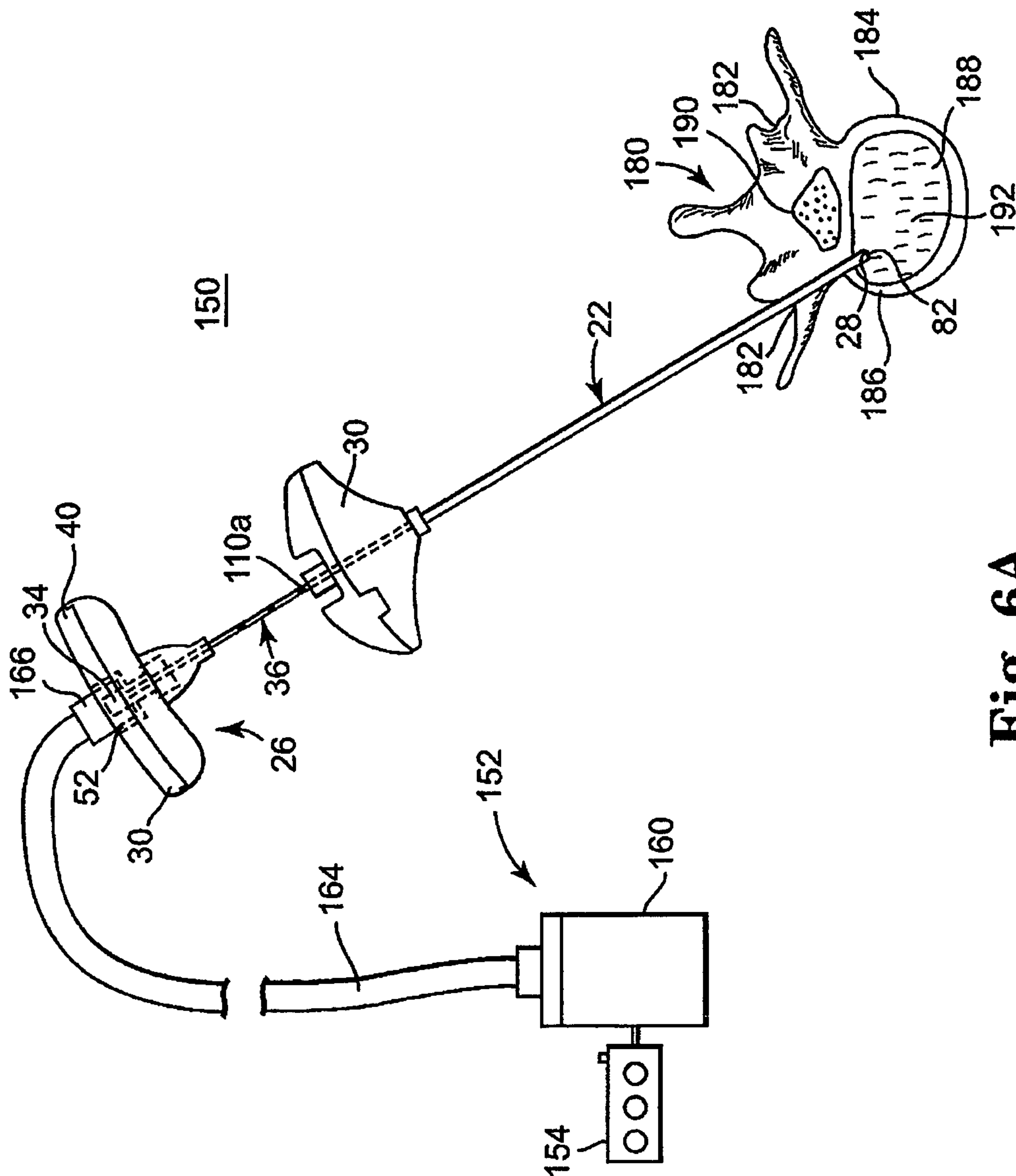


Fig. 6A

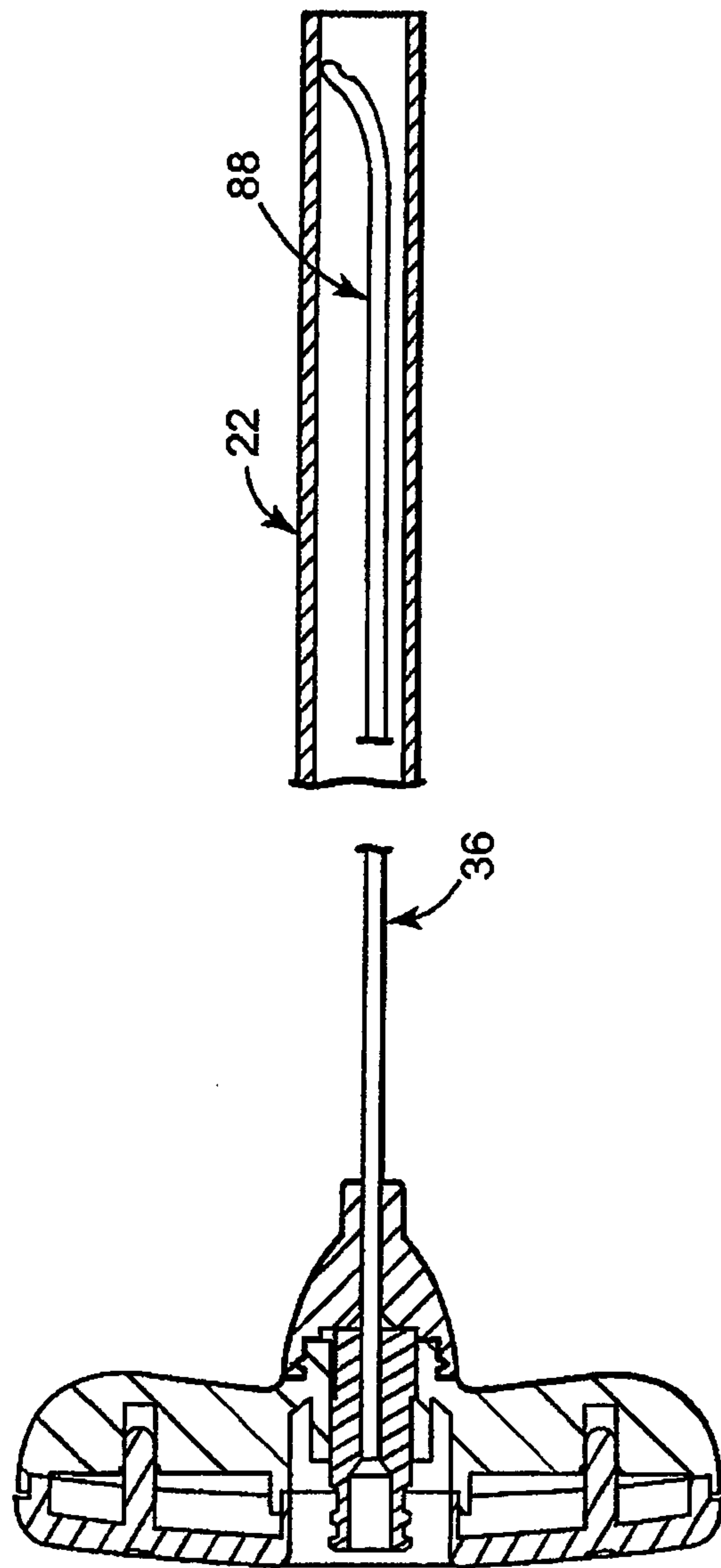


Fig. 6B

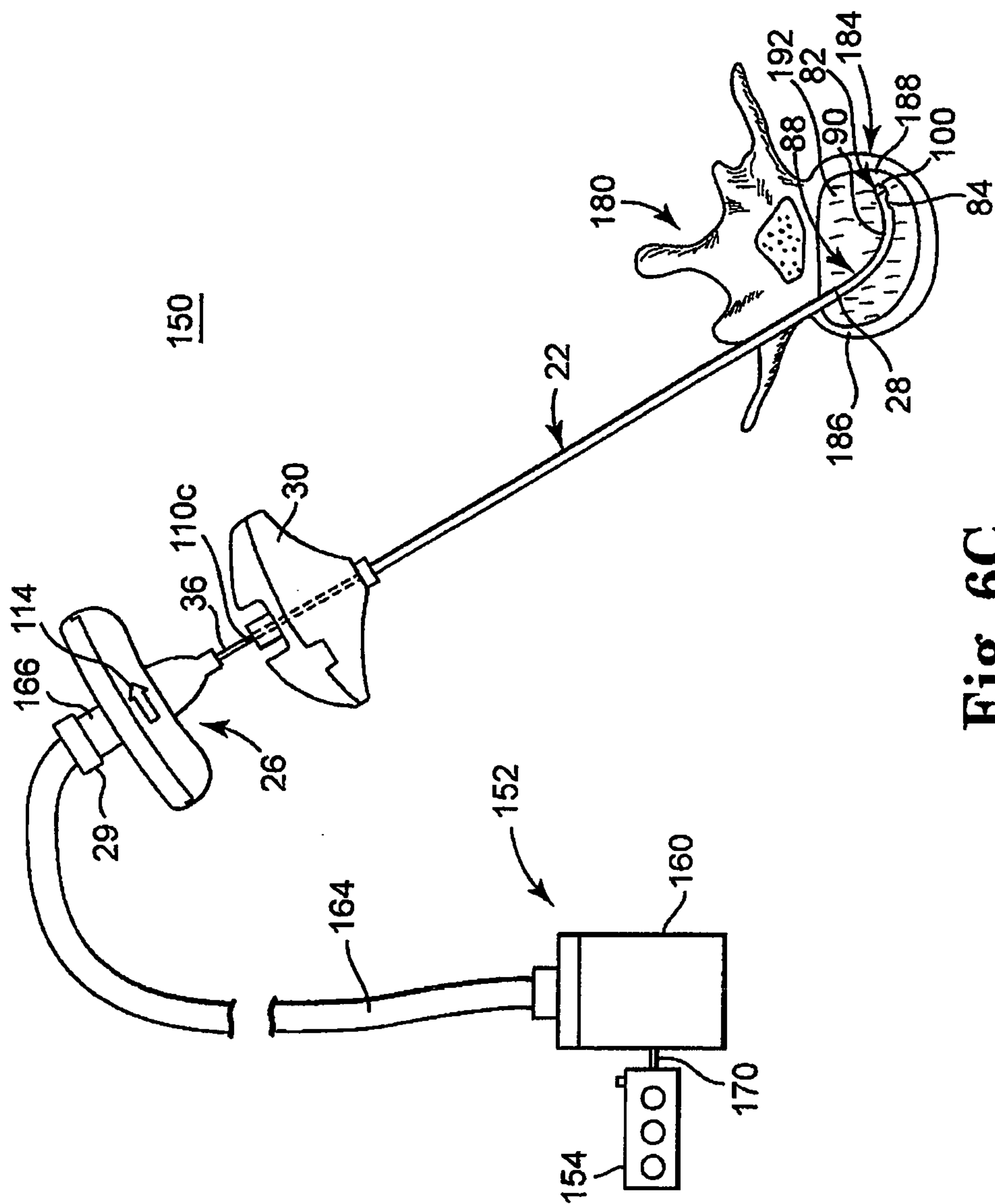


Fig. 6C

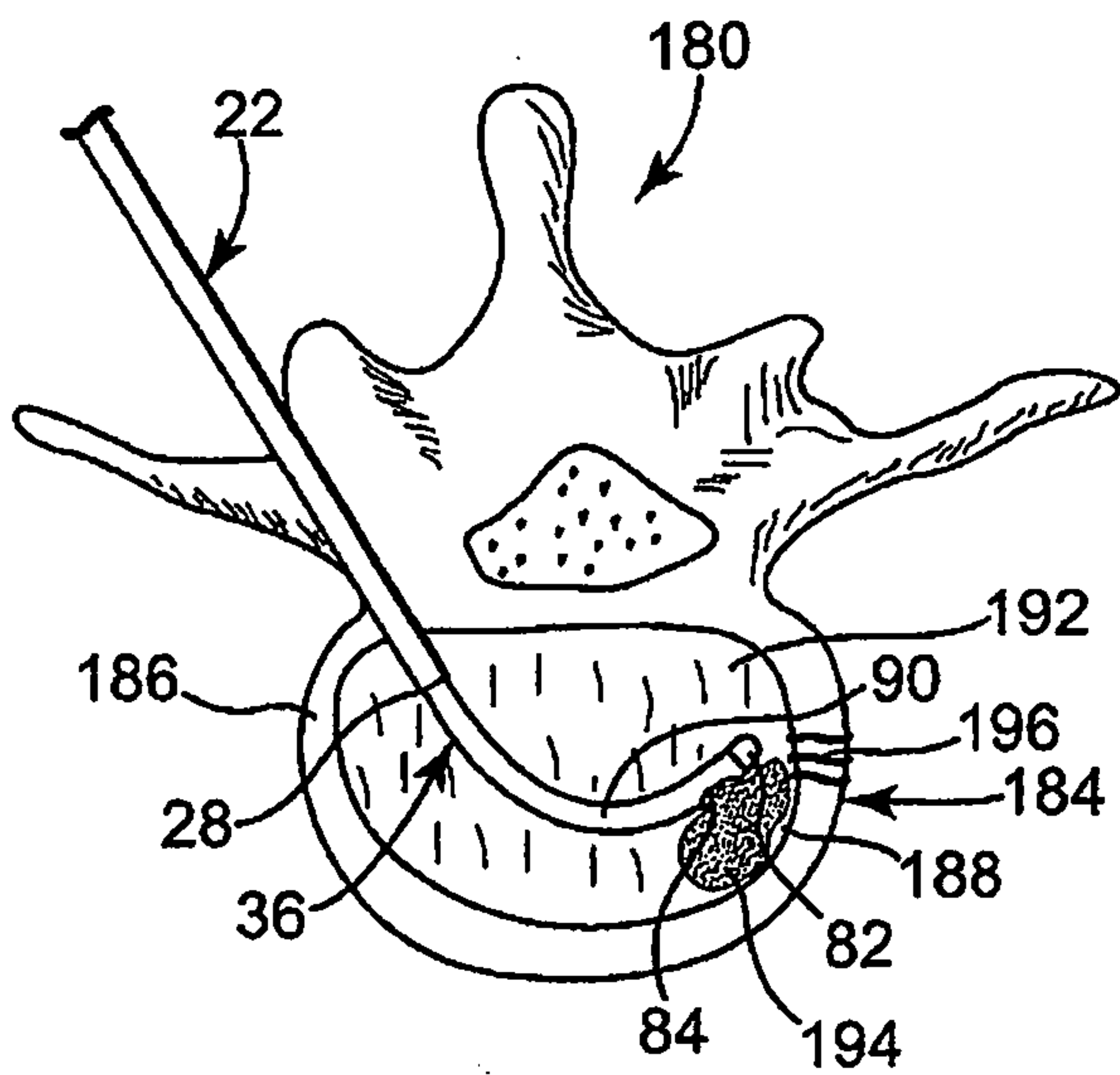


Fig. 6D

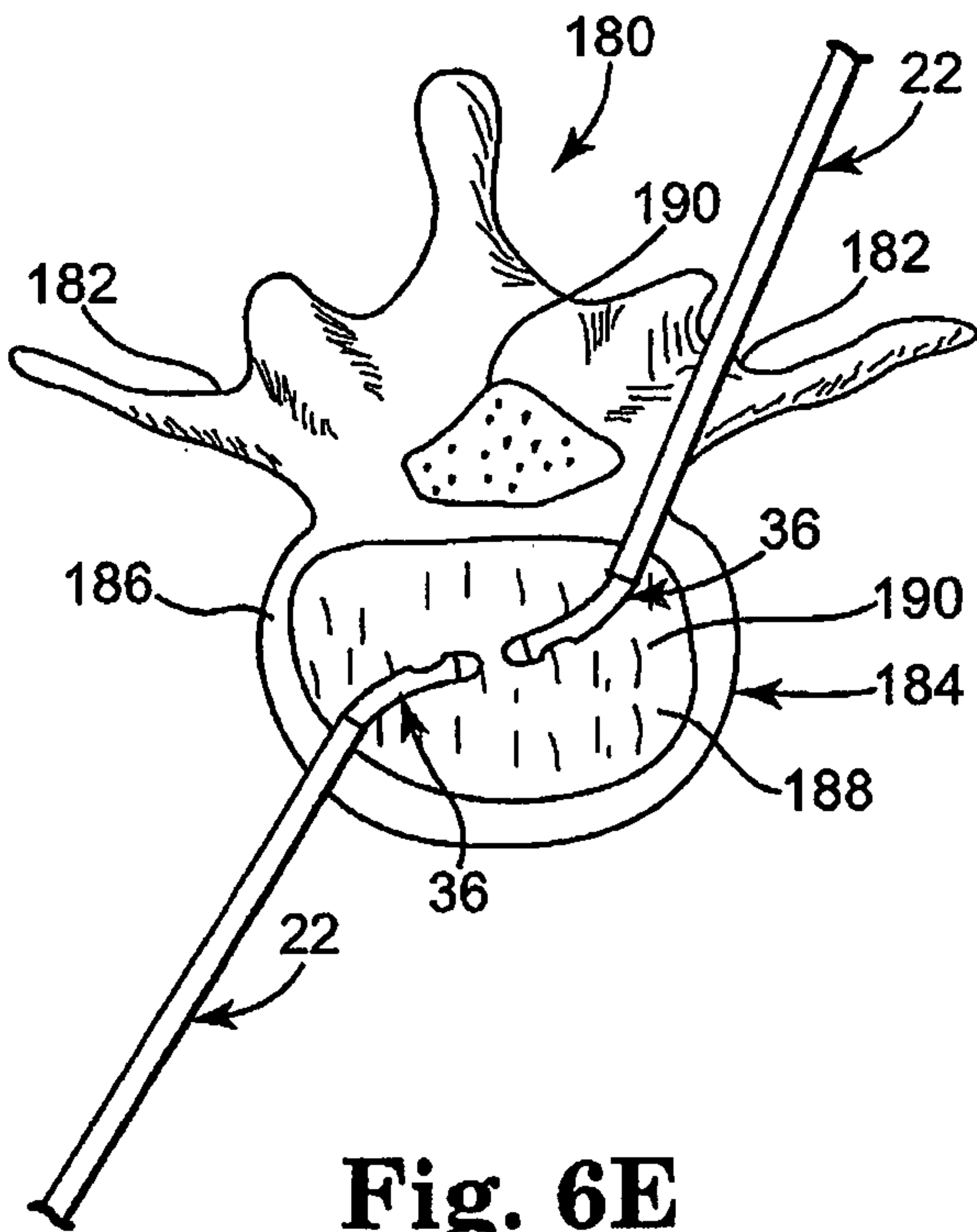


Fig. 6E

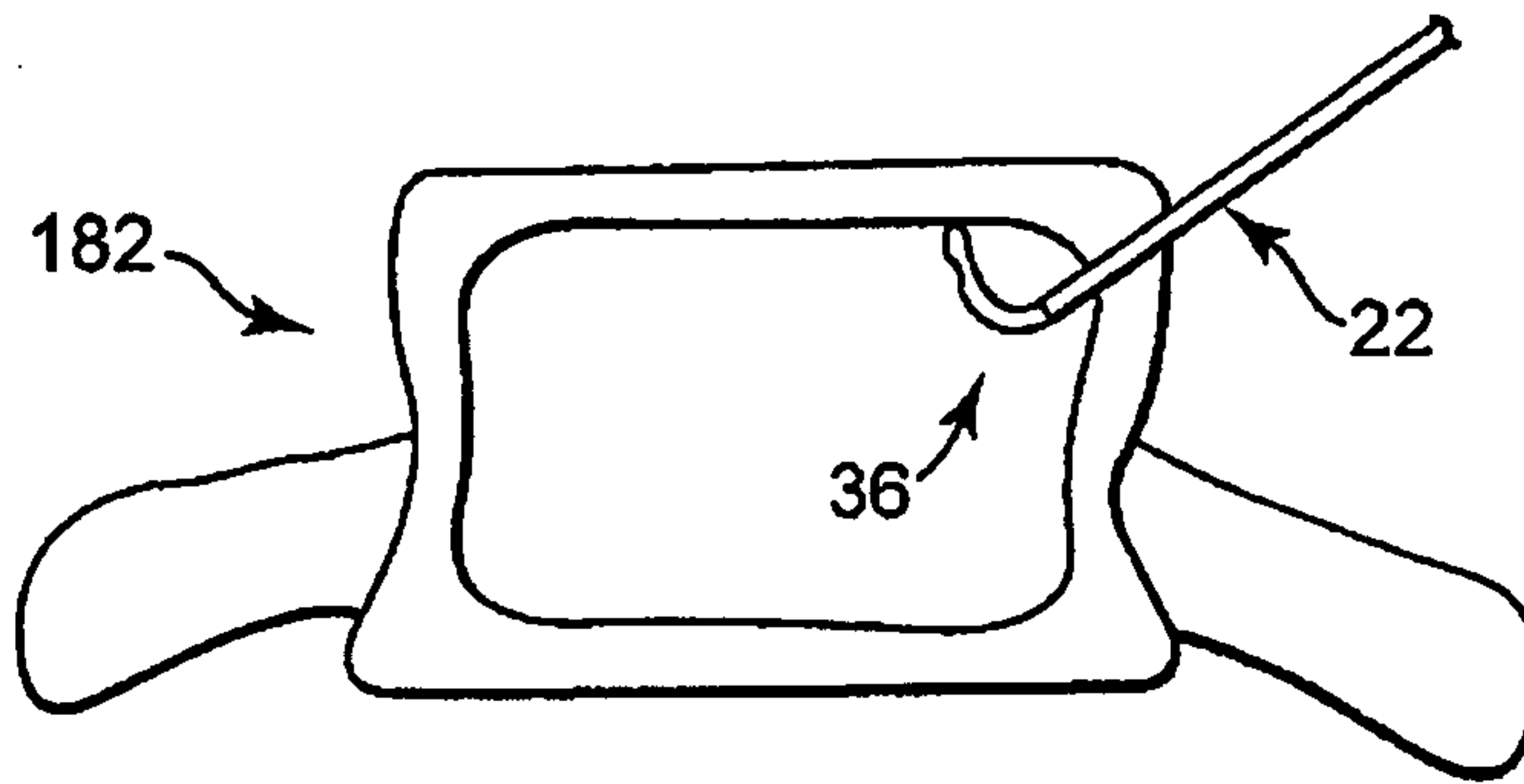


Fig. 7A

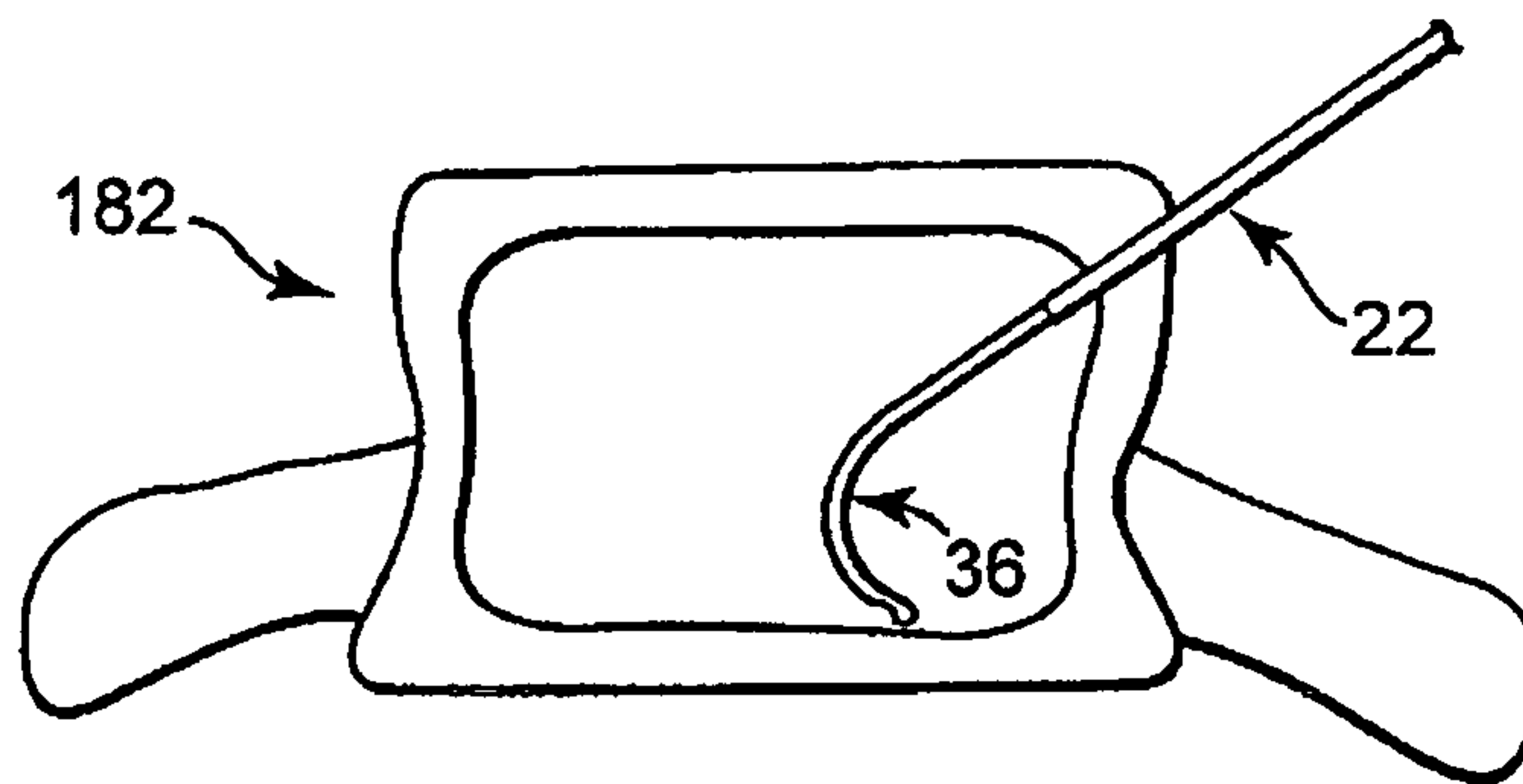


Fig. 7B

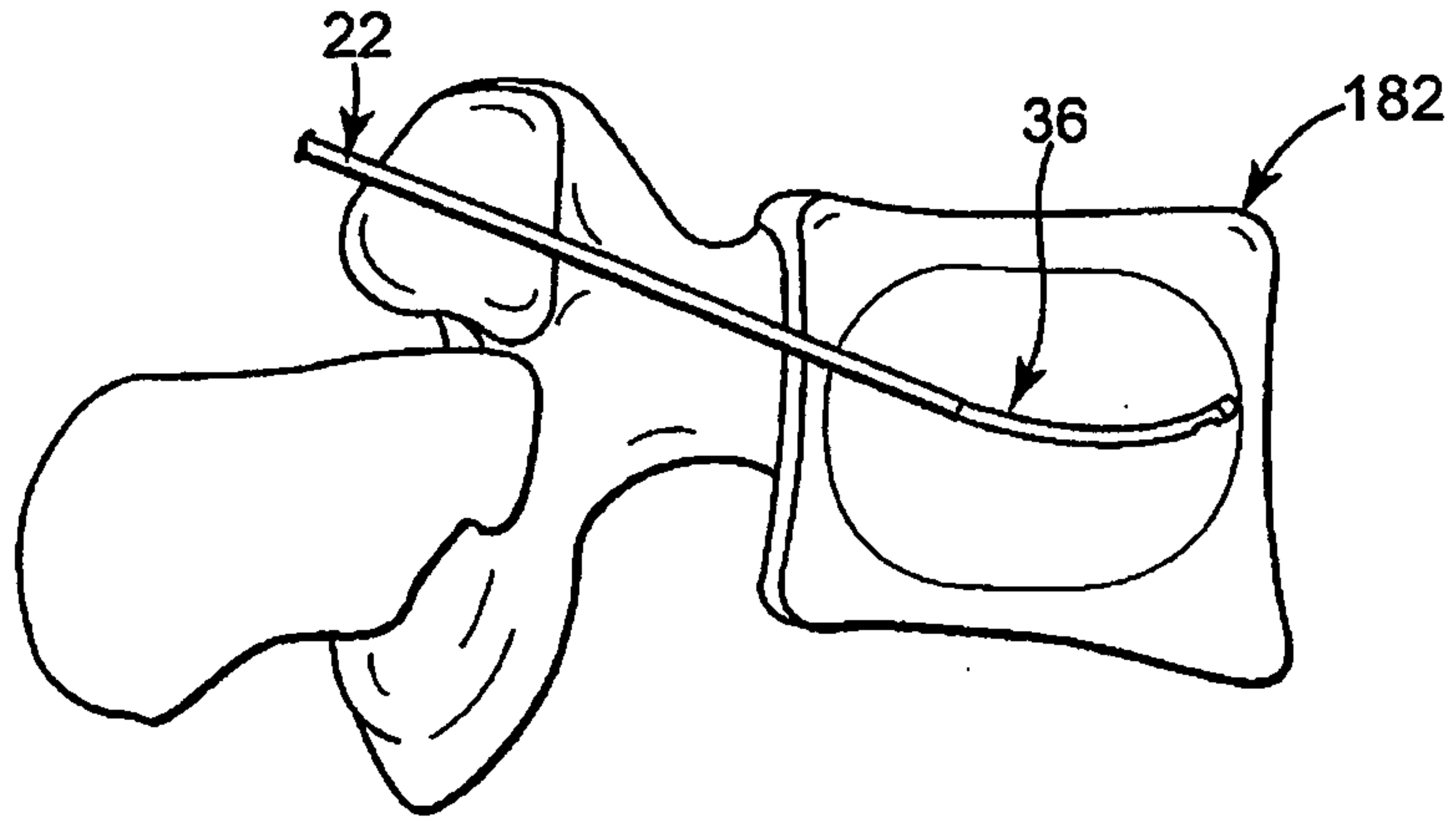


Fig. 8A

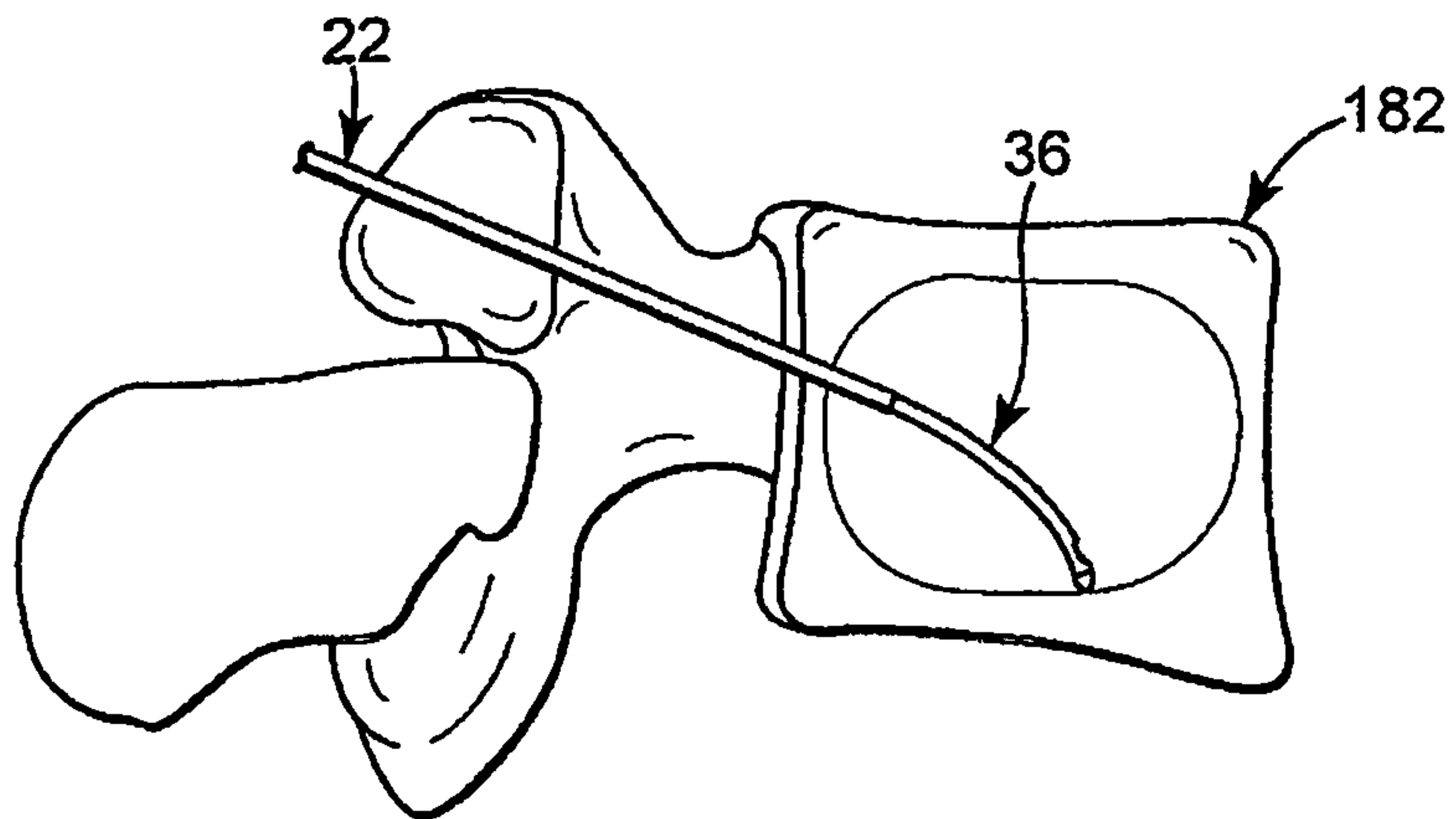


Fig. 8B

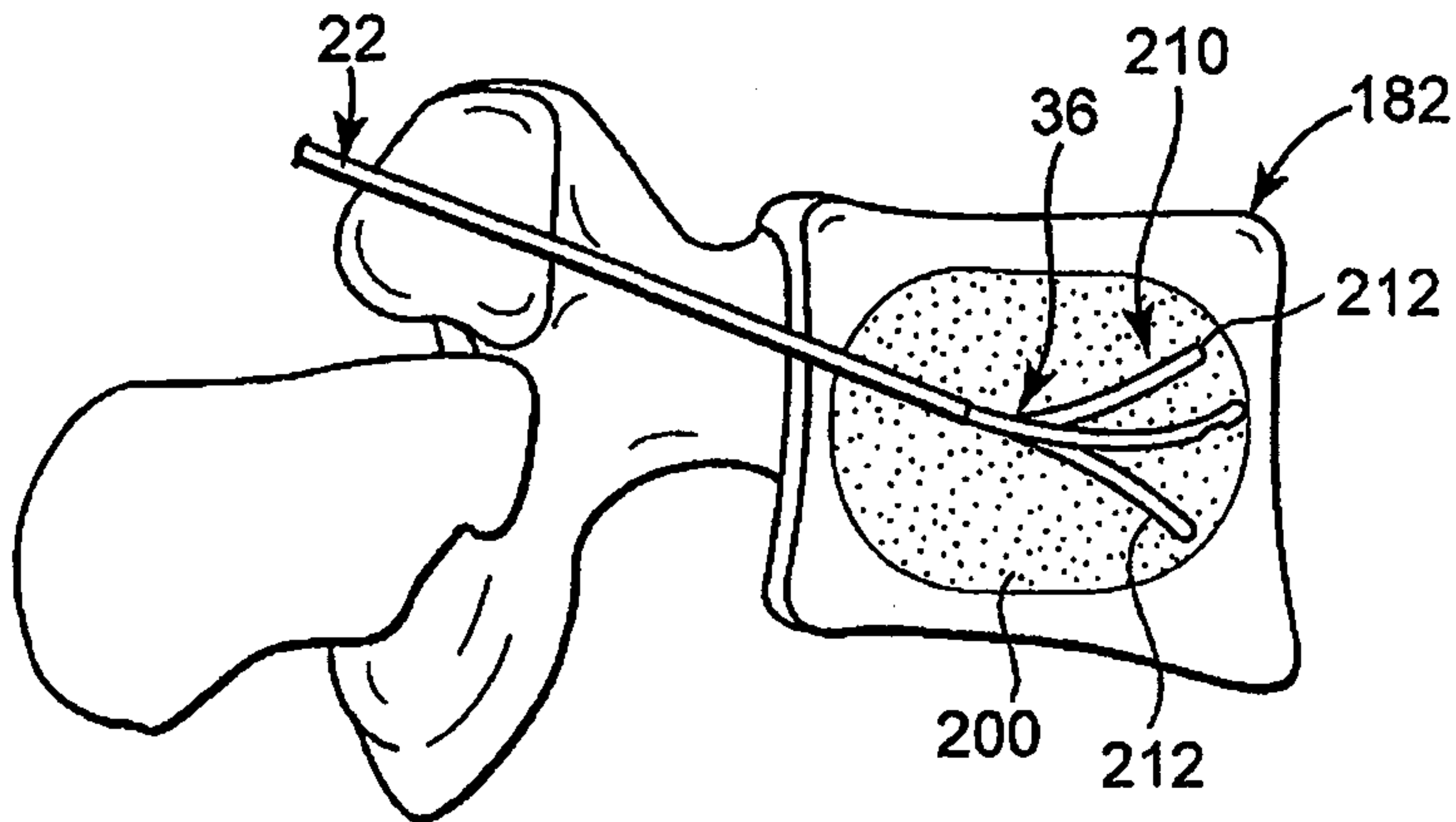


Fig. 9

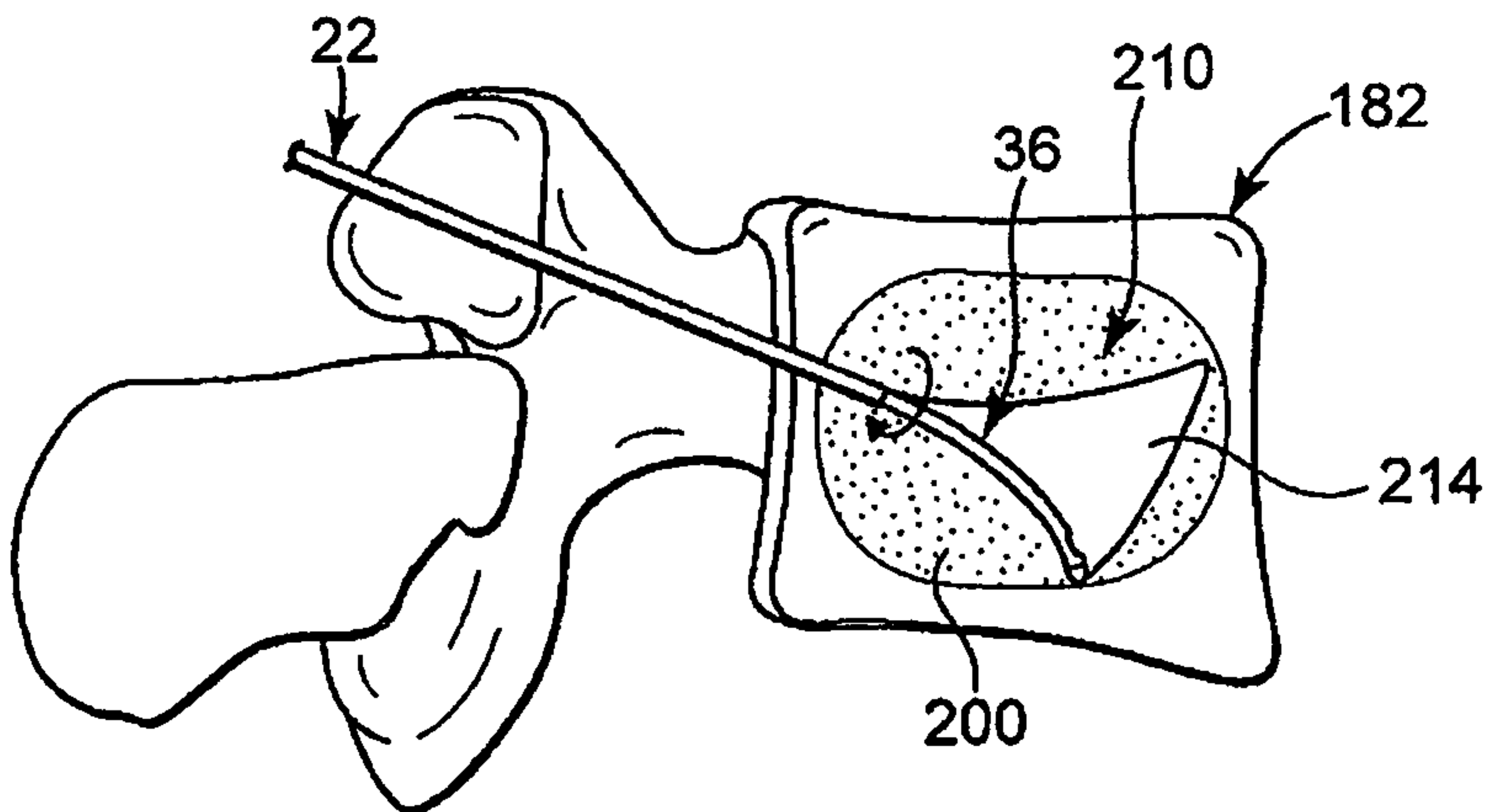


Fig. 10

16/17

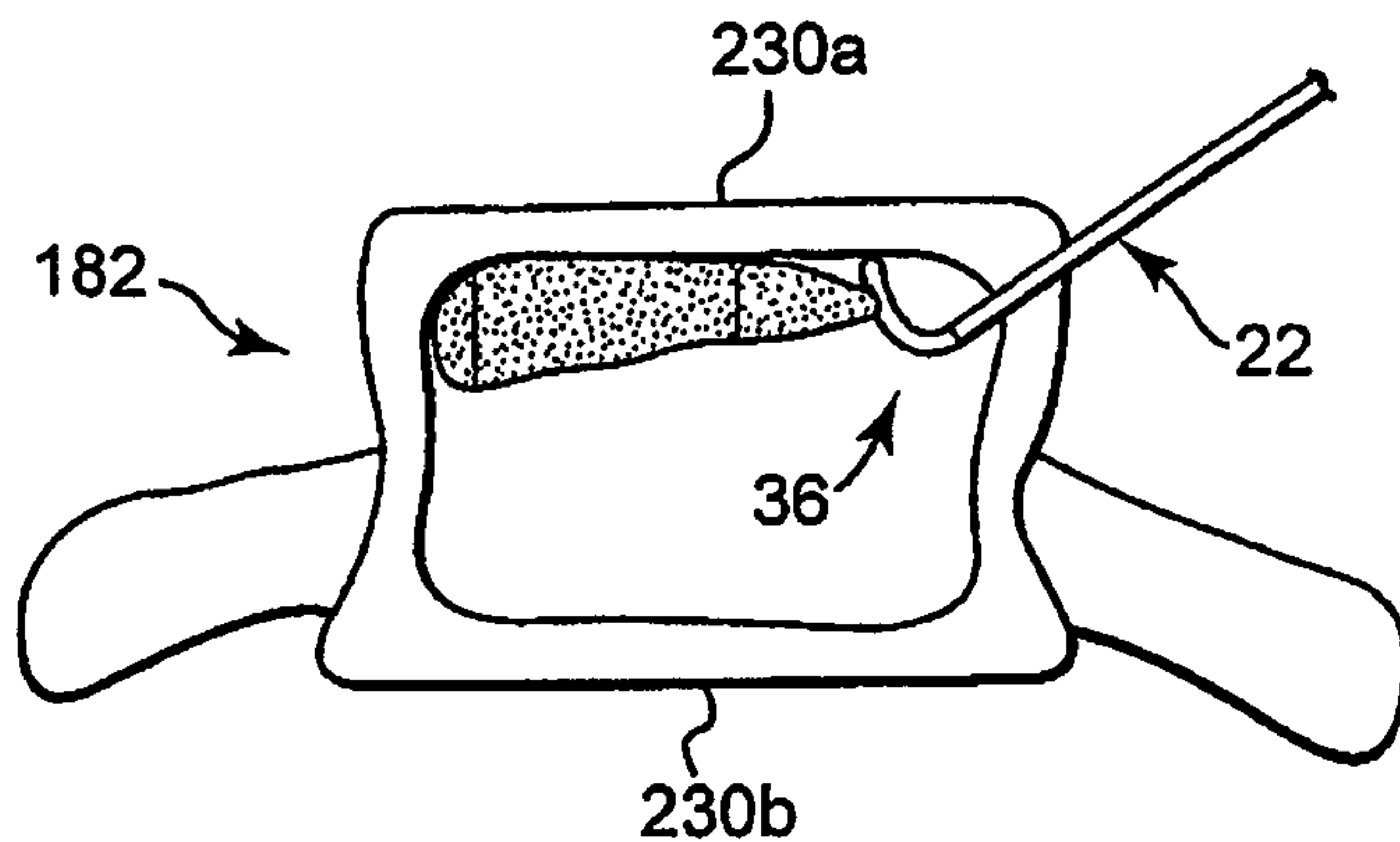


Fig. 11A

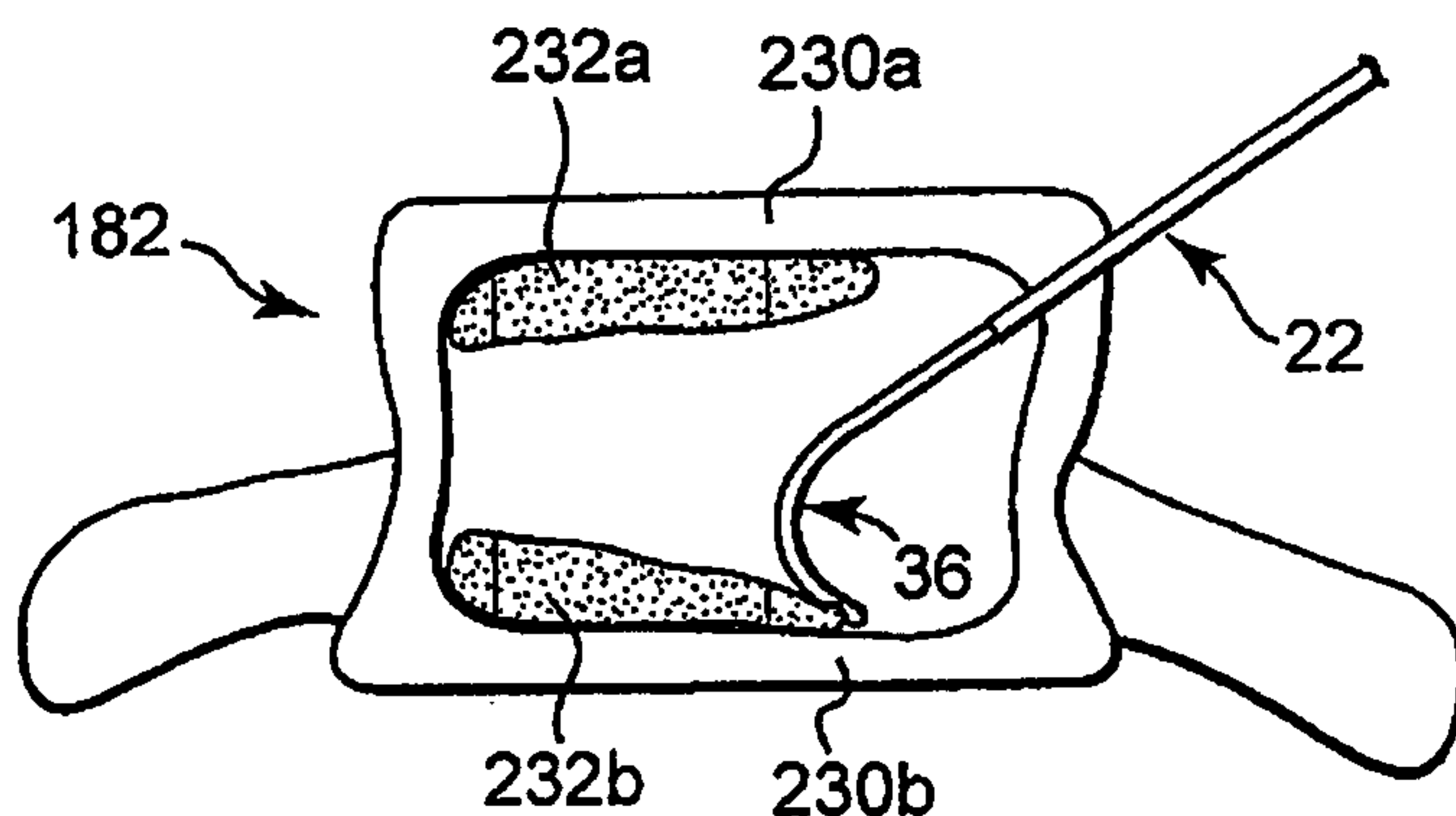


Fig. 11B

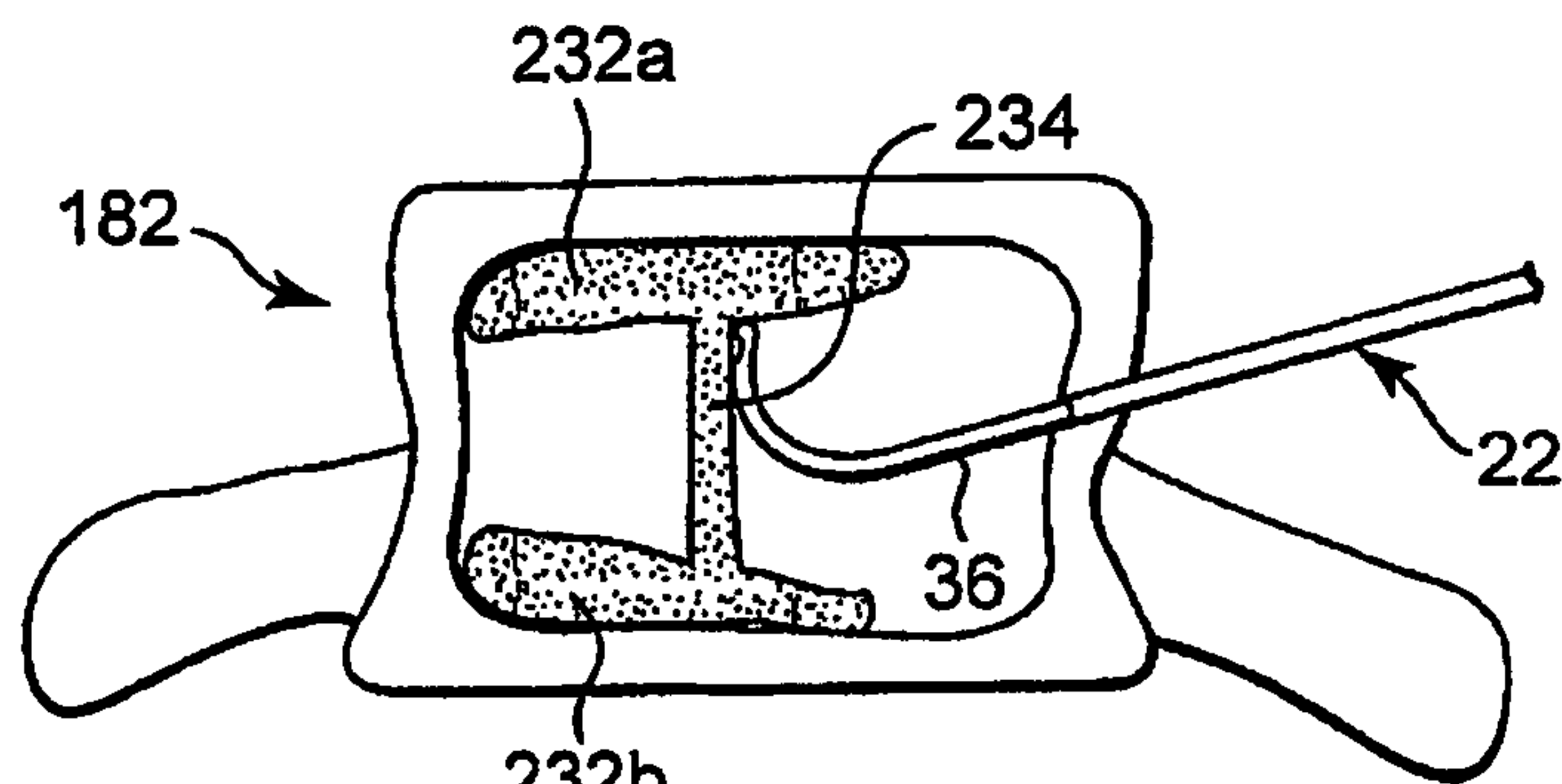


Fig. 11C

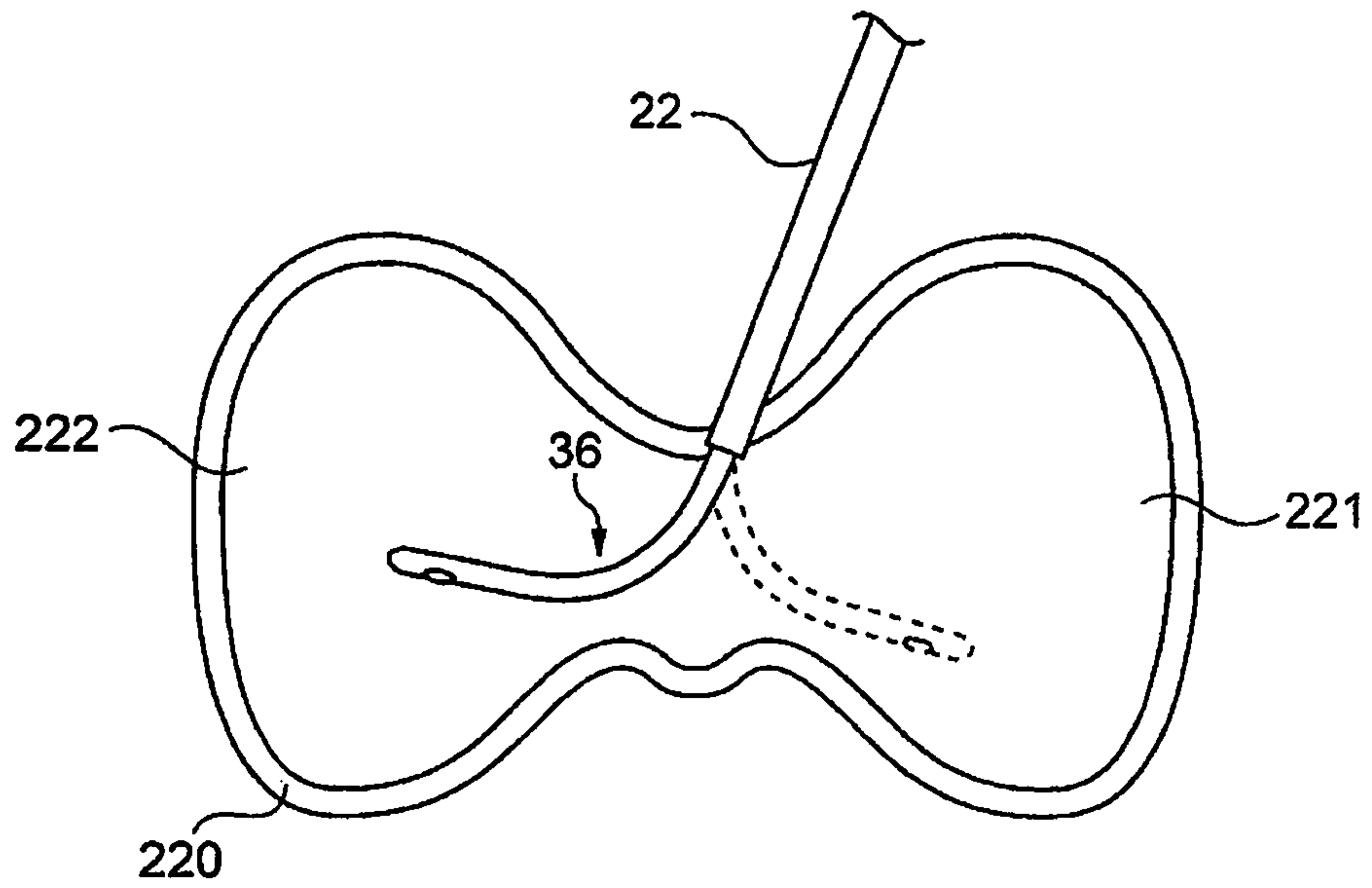
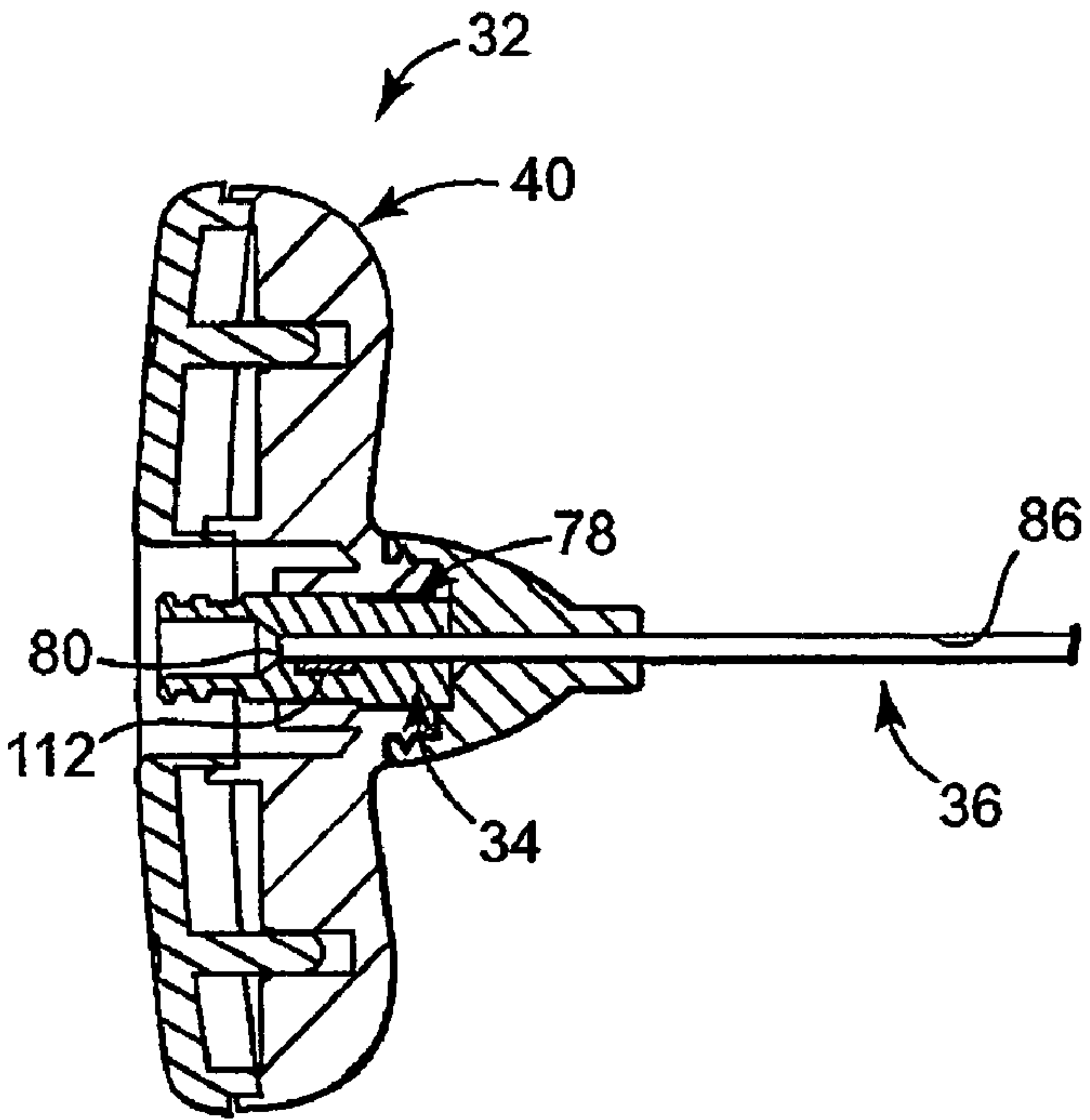


Fig. 12



26

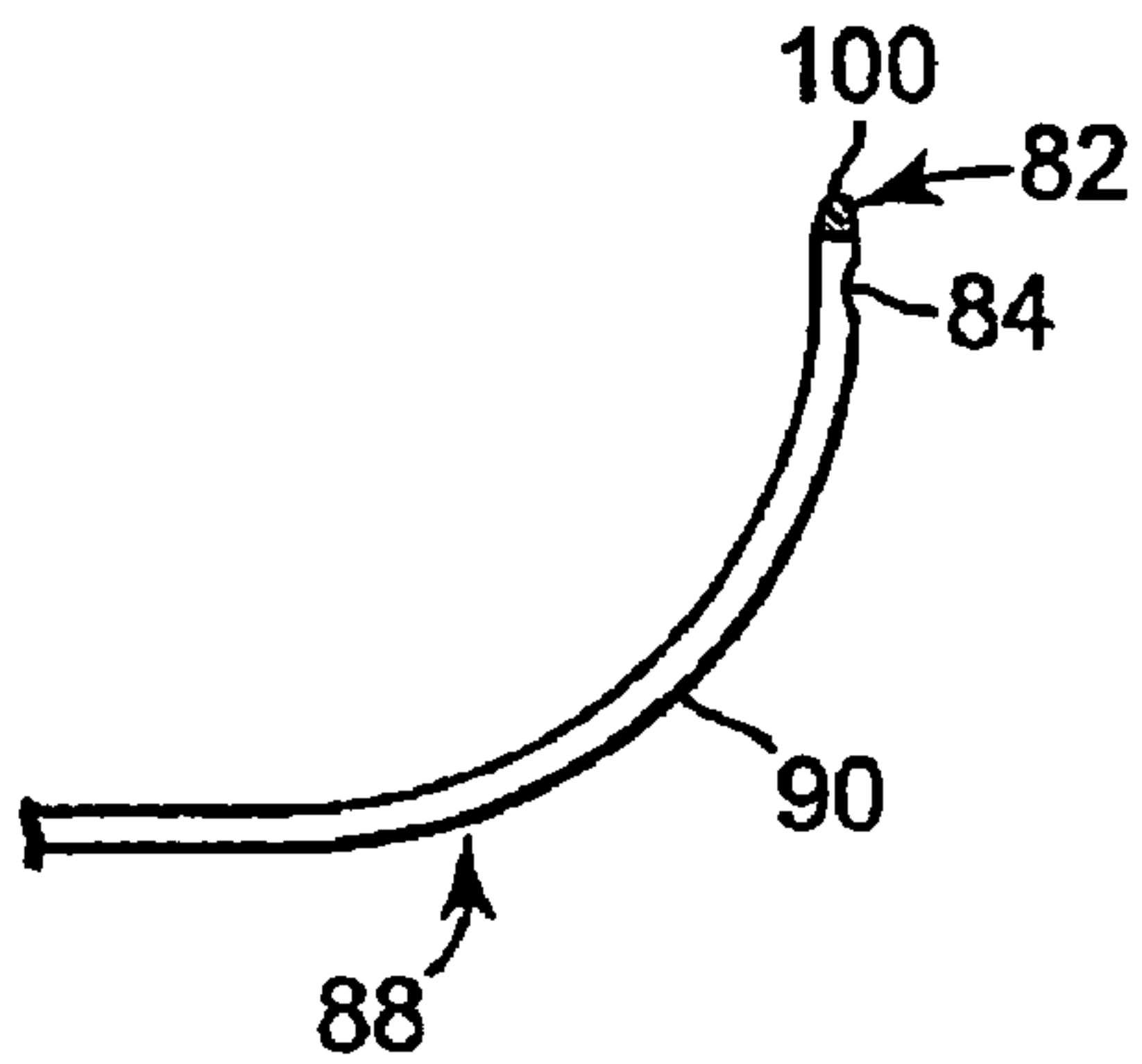


Fig. 4