



US00D940468S

(12) **United States Design Patent**
Sommer

(10) **Patent No.:** **US D940,468 S**

(45) **Date of Patent:** **** Jan. 11, 2022**

(54) **BRUSH**

(71) Applicant: **Goody Products, Inc.**, Atlanta, GA
(US)

(72) Inventor: **Henry David Sommer**, Atlanta, GA
(US)

(73) Assignee: **Goody Products, Inc.**, Atlanta, GA
(US)

(**) Term: **15 Years**

(21) Appl. No.: **29/757,127**

(22) Filed: **Nov. 3, 2020**

(51) **LOC (13) Cl.** **04-02**

(52) **U.S. Cl.**
USPC **D4/134**

(58) **Field of Classification Search**

USPC D4/100, 102, 117, 118, 119, 120, 121,
D4/127, 128, 129, 130, 132, 133, 134,
D4/136, 137, 138, 199; D28/18, 24, 25,
D28/28, 35, 13, 63; D19/904, 906;
D30/158, 159; D24/211, 214
CPC A46B 5/02; A46B 9/005; A46B 9/023;
A46B 9/02; A46B 9/06; A46B 2200/104;
A46B 5/026; A46B 5/005; A46B 15/003;
A46B 15/0059; A46B 2200/102; A45D
20/48; A45D 20/50; A45D 20/52; A45D
24/007; A45D 2/001; A45D 2/002; A45D
7/02; A47K 7/02; A61H 7/002

See application file for complete search history.

(56) **References Cited**

U.S. PATENT DOCUMENTS

D127,804 S * 6/1941 Kahn D4/117
D158,986 S * 6/1950 Love D4/117
3,355,757 A * 12/1967 O'Searo A46B 15/00
15/105
D227,948 S * 7/1973 Abbott D4/117
4,013,083 A * 3/1977 Helbling A45D 20/30
132/271
D307,217 S * 4/1990 Fong D4/132

D322,892 S * 1/1992 Kwok-Fai Au D4/100
D467,738 S * 12/2002 Yu D4/133
D468,108 S * 1/2003 Yu D4/128
D766,588 S * 9/2016 Renette D4/133
D839,607 S * 2/2019 Kuo D4/134
D892,415 S * 8/2020 Axelrod D30/159

FOREIGN PATENT DOCUMENTS

GB 510731 * 8/1939

OTHER PUBLICATIONS

Goody Total Texture Customizable Brush [on-line]. [Date of original publication unknown.] [Retrieved Oct. 22, 2021.] URL: >https://www.amazon.com/dp/B08XQVTDSS/ref=asc_df_B08XQVTDSS1634900400000/?tag=beauty-stylight2017-20&ascsubtag=d2e7c7ac-2c92-4a1c-9571-25e19f77926a&creative=394997&creativeASIN=B08XQVTDSS&linkCode=df0< (Year: 2021).*

* cited by examiner

Primary Examiner — Karen E Eldridge Powers
(74) *Attorney, Agent, or Firm* — Gloria Tsui-Yip, Esq.;
Gottlieb, Rackman & Reisman, P.C.

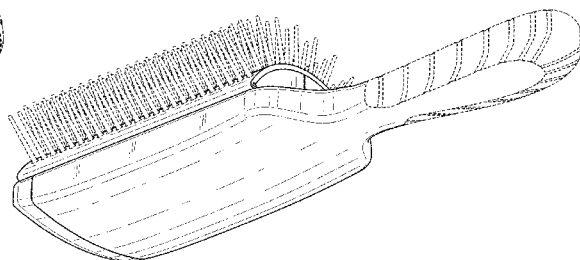
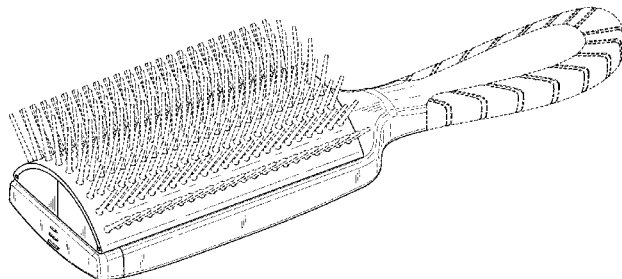
(57) **CLAIM**

The ornamental design for a brush, as shown and described.

DESCRIPTION

FIG. 1 is a front, top and right side perspective view of a brush of my new design;
FIG. 2 is a left side elevational view thereof;
FIG. 3 is a top plan view thereof;
FIG. 4 is a right side elevational view thereof;
FIG. 5 is a bottom plan view thereof;
FIG. 6 is a front elevational view thereof;
FIG. 7 is a rear elevational view thereof; and,
FIG. 8 is a rear, bottom and left side perspective view thereof.

(Continued)



The broken lines in the drawings depict portions of the brush that form no part of the claimed design.

1 Claim, 5 Drawing Sheets

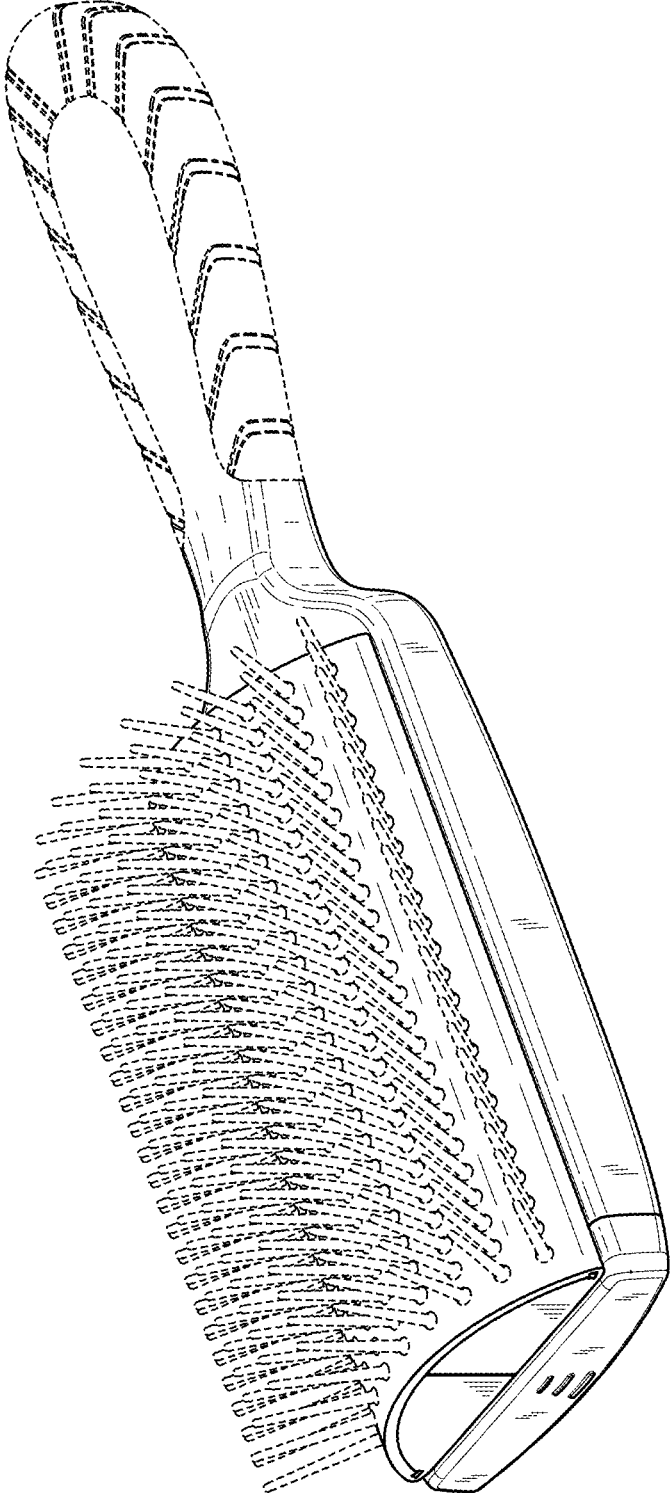


FIG. 1

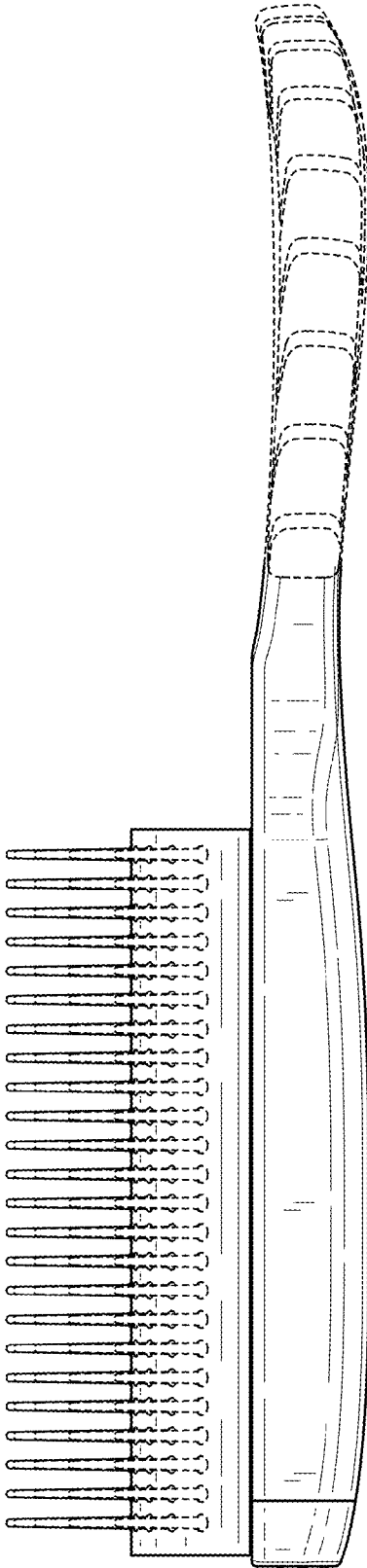


FIG. 2

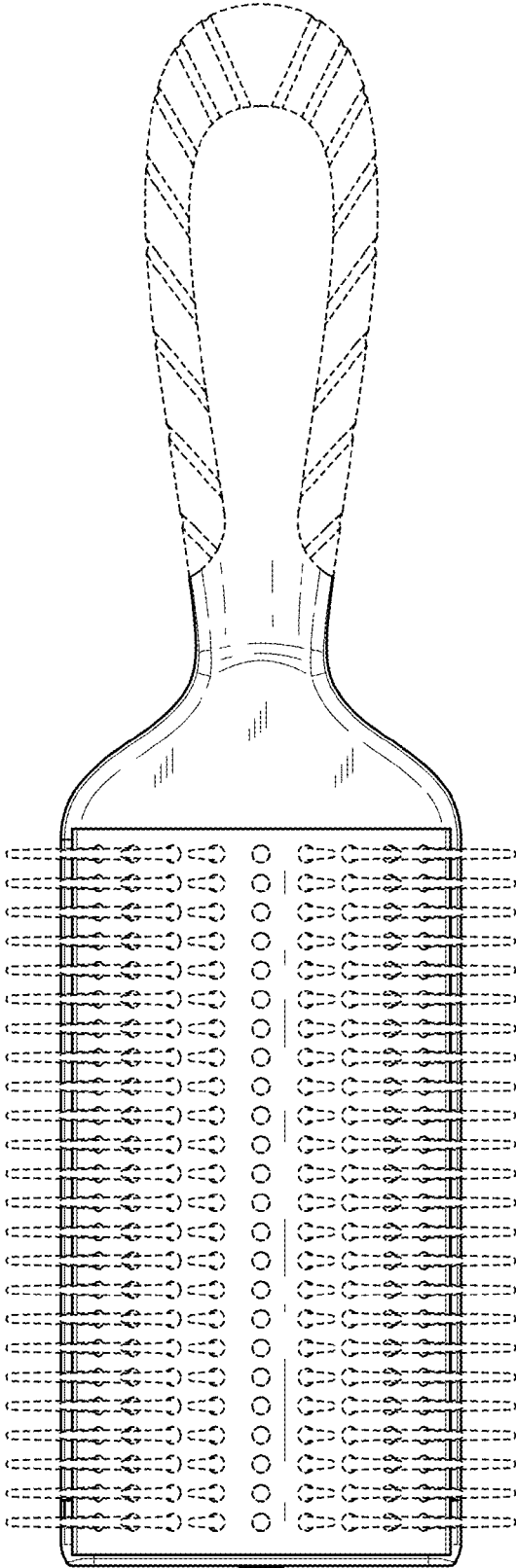


FIG. 3

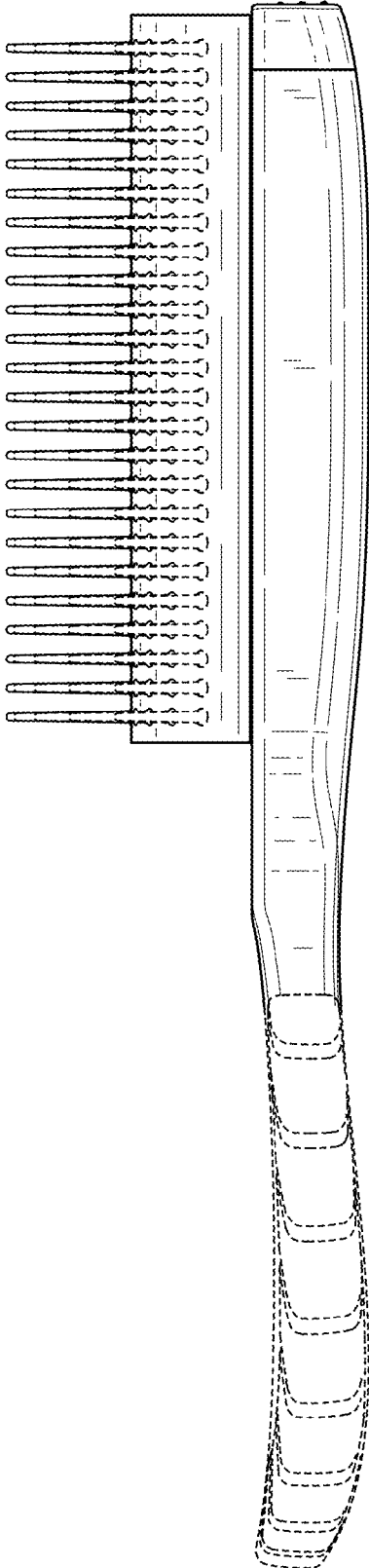


FIG.4

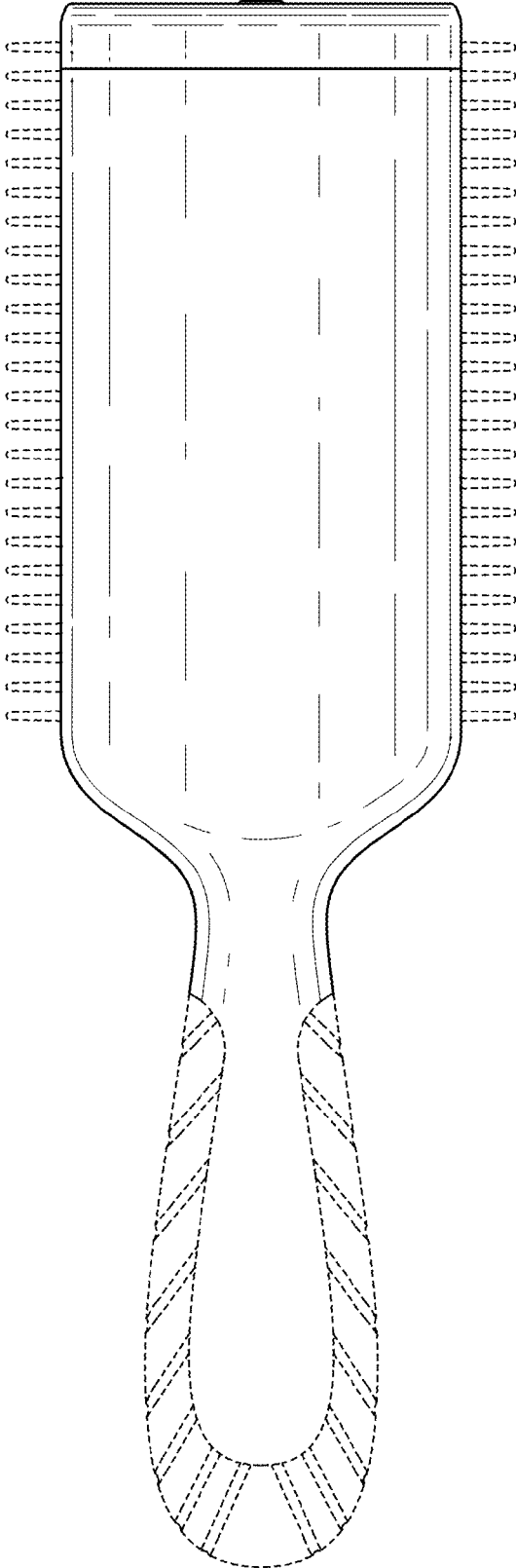


FIG.5

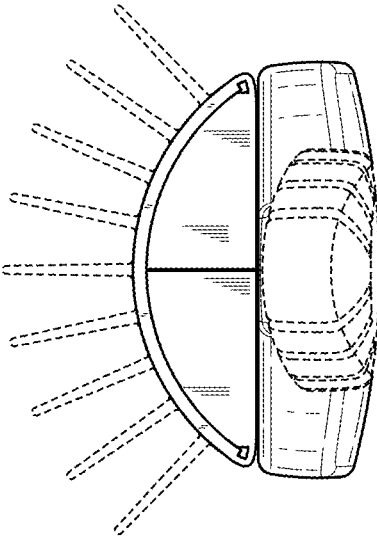


FIG. 7

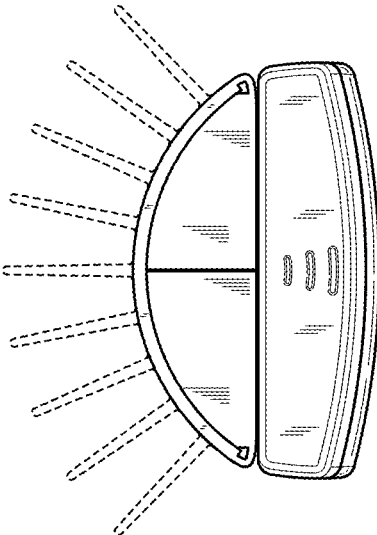


FIG. 6

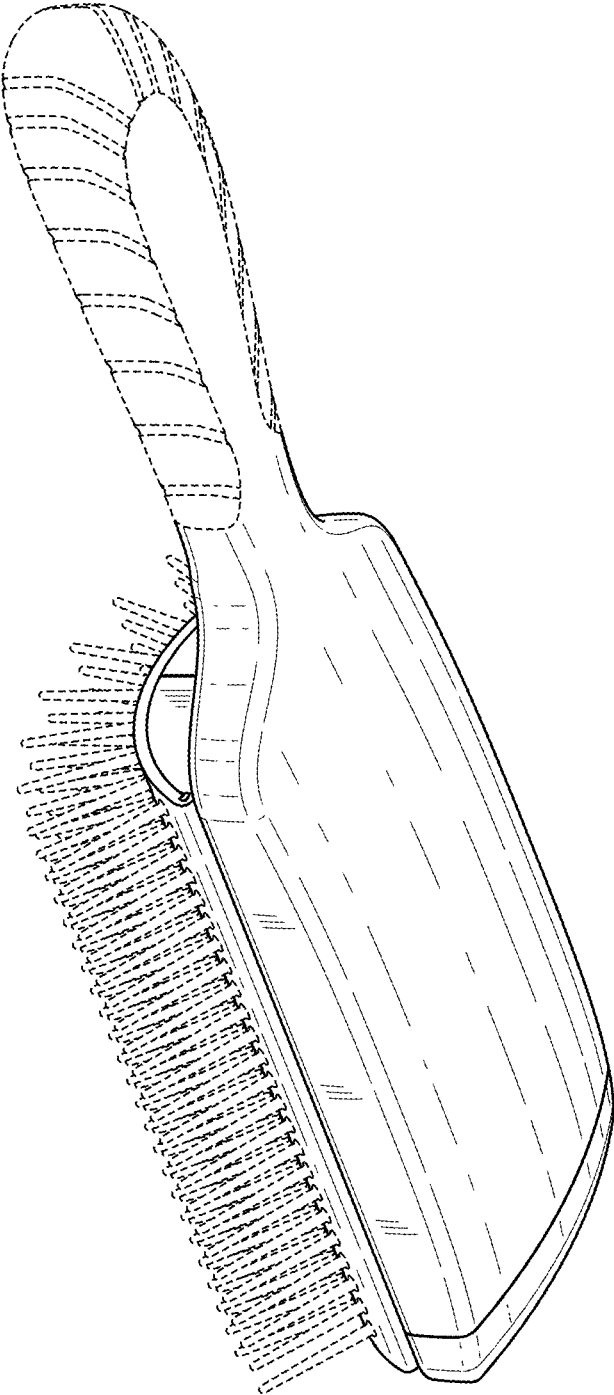


FIG.8