



US0D1069466S

(12) **United States Design Patent**
Shen

(10) **Patent No.:** **US D1,069,466 S**

(45) **Date of Patent:** **** Apr. 8, 2025**

(54) **STORAGE CABINET**

(71) Applicant: **Jiayi Shen**, Taizhou (CN)

(72) Inventor: **Jiayi Shen**, Taizhou (CN)

(**) Term: **15 Years**

(21) Appl. No.: **29/960,888**

(22) Filed: **Sep. 3, 2024**

(51) **LOC (15) Cl.** **06-04**

(52) **U.S. Cl.**
USPC **D6/657**

(58) **Field of Classification Search**
USPC D6/671.1, 661, 657, 671, 663, 660, 559,
D6/561, 662.1, 662, 671.2
CPC A47B 55/00; A47B 67/04; A47B 83/001;
A47B 83/045; A47B 97/00; A47B 81/00;
A47B 17/04
See application file for complete search history.

(56) **References Cited**

U.S. PATENT DOCUMENTS

D27,020 S *	5/1897	Overall	D6/671.2
D364,051 S *	11/1995	Berry, Jr.	D6/662.1
D433,582 S *	11/2000	Winter	D6/662
D457,349 S *	5/2002	Winter	D6/662
D475,865 S *	6/2003	Walker	D6/662
D488,635 S *	4/2004	Clucas	D6/662
D496,188 S *	9/2004	Walker	D6/662
D634,564 S *	3/2011	Licari	D6/657
D652,233 S *	1/2012	Walker	D6/662
D711,165 S *	8/2014	Phillips	D6/671
D932,812 S *	10/2021	Hu	D6/662
D990,884 S *	7/2023	Deng	D3/294
D1,000,166 S *	10/2023	Tong	D6/657

D1,011,100 S	1/2024	Fang	
D1,015,781 S	2/2024	Zheng	
D1,019,213 S *	3/2024	Jiang D6/659
D1,029,498 S *	6/2024	Huang D3/273
D1,053,562 S *	12/2024	Jiang D6/671.1

OTHER PUBLICATIONS

Kitchen Pantry Hutch Storage by Newownds Store, first available: Nov. 8, 2023. Amazon.com [online], [site visited 10/29/ 204], Internet URL: https://www.amazon.com/NEWOWNDS-Kitchen-Pantry-Storage-Cabinet/dp/B0CMXK91GX/ref=sr_1_90 (Year: 2023).*

* cited by examiner

Primary Examiner — Mary Ann Calabrese
Assistant Examiner — Hillary Catherine Shepard
(74) *Attorney, Agent, or Firm* — Birchwood IP

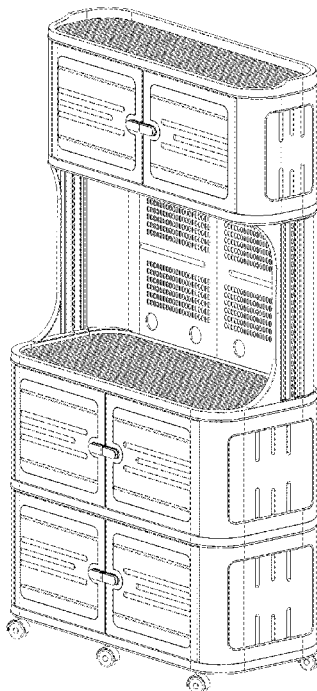
(57) **CLAIM**

The ornamental design for a storage cabinet, as shown and described.

DESCRIPTION

FIG. 1 is a front, right and top perspective view of a storage cabinet, showing my new design;
FIG. 2 is a front view thereof;
FIG. 3 is a rear view thereof;
FIG. 4 is a left side view thereof;
FIG. 5 is a right side view thereof;
FIG. 6 is a top plan view thereof; and,
FIG. 7 is a bottom plan view thereof.
The broken lines shown in the drawings illustrate portions of the storage cabinet that form no part of the claimed design

1 Claim, 7 Drawing Sheets



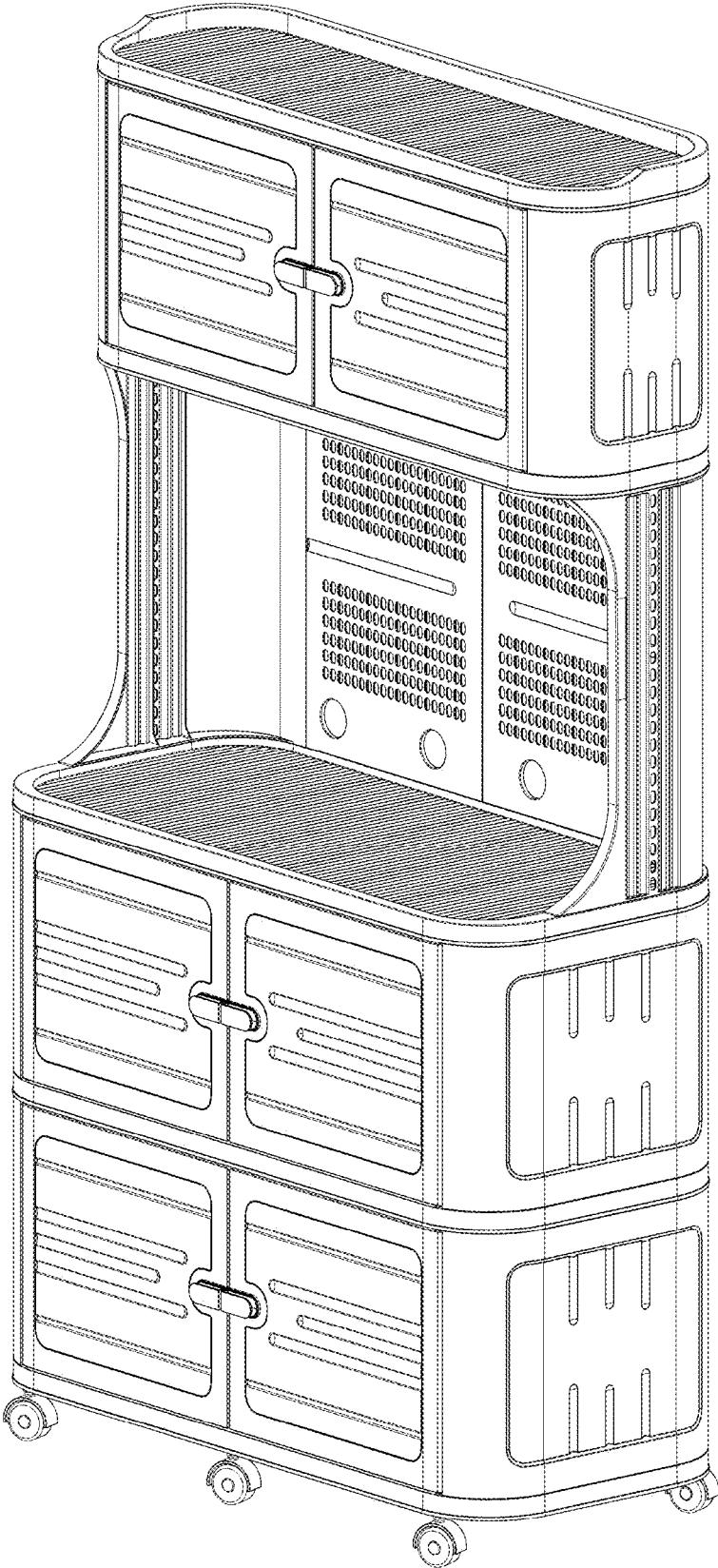


FIG. 1

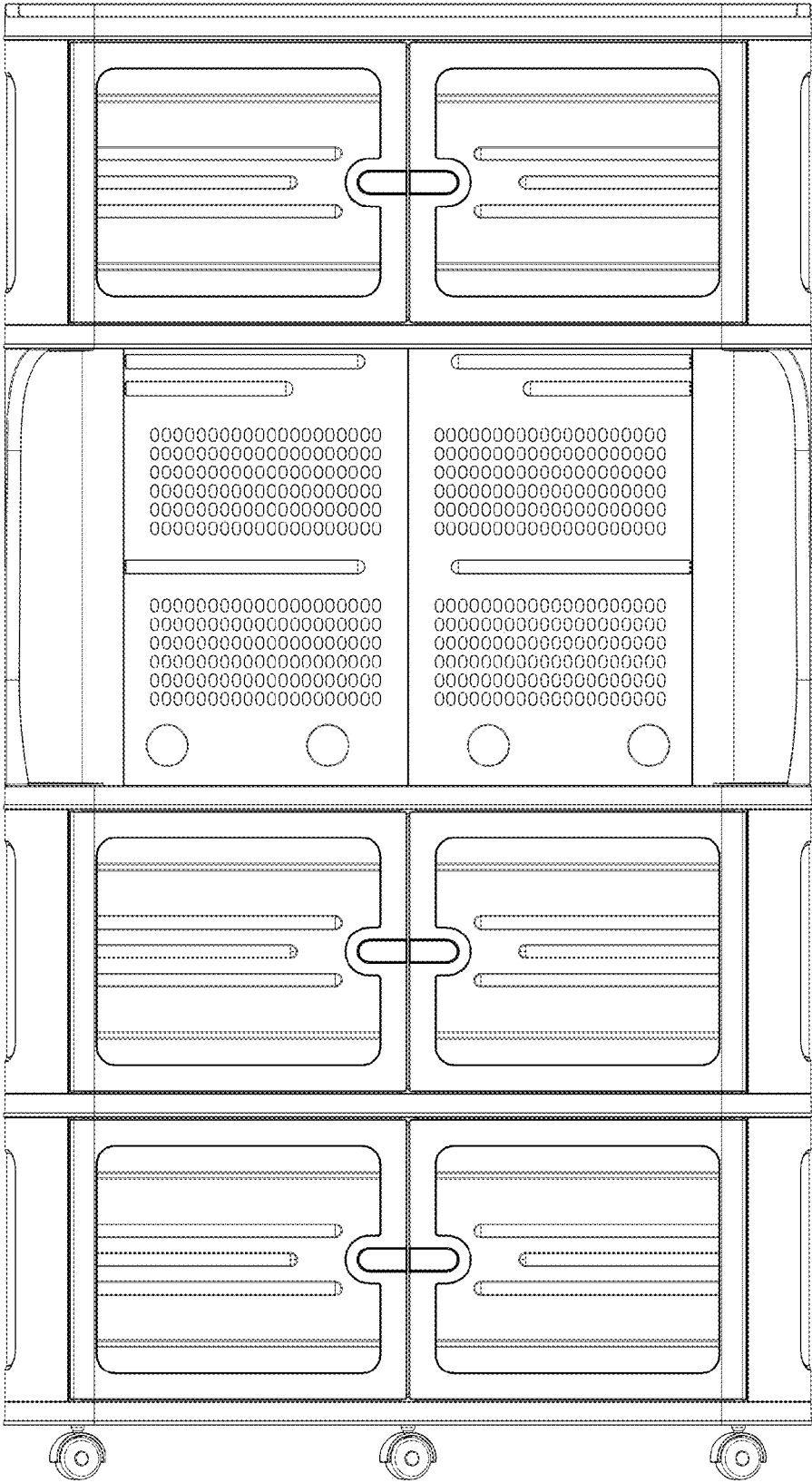


FIG. 2

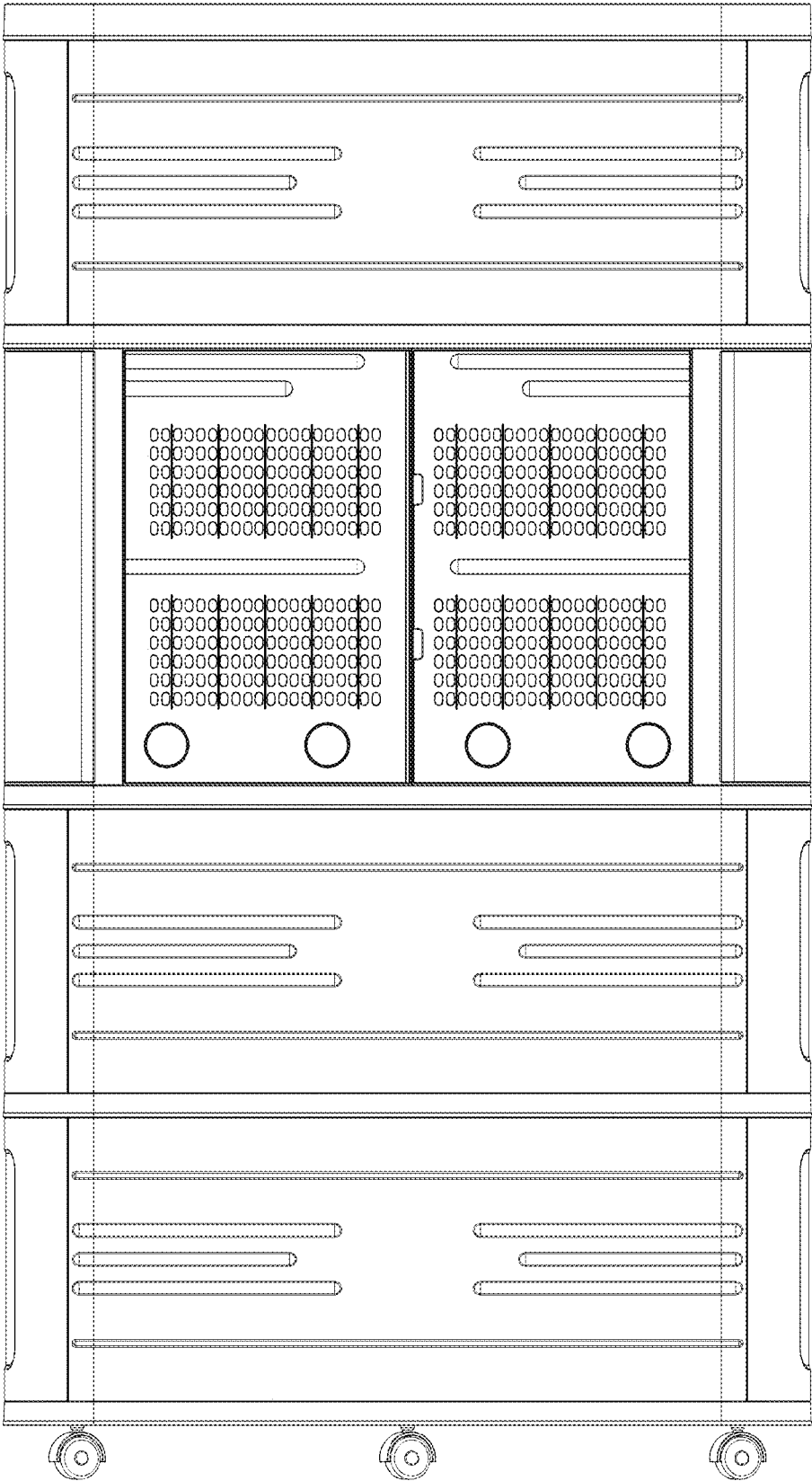


FIG. 3

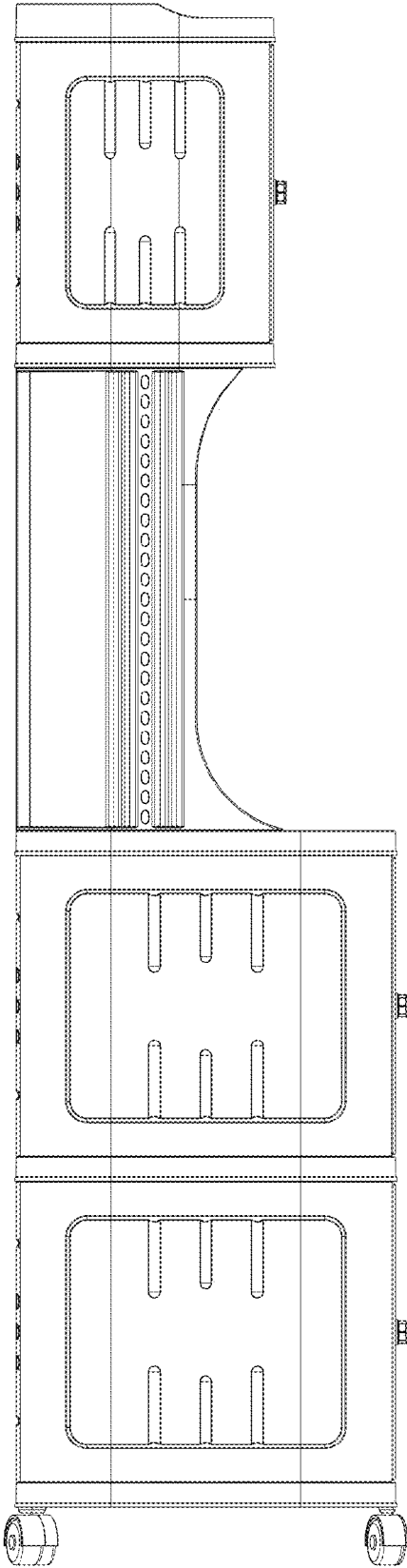


FIG. 4

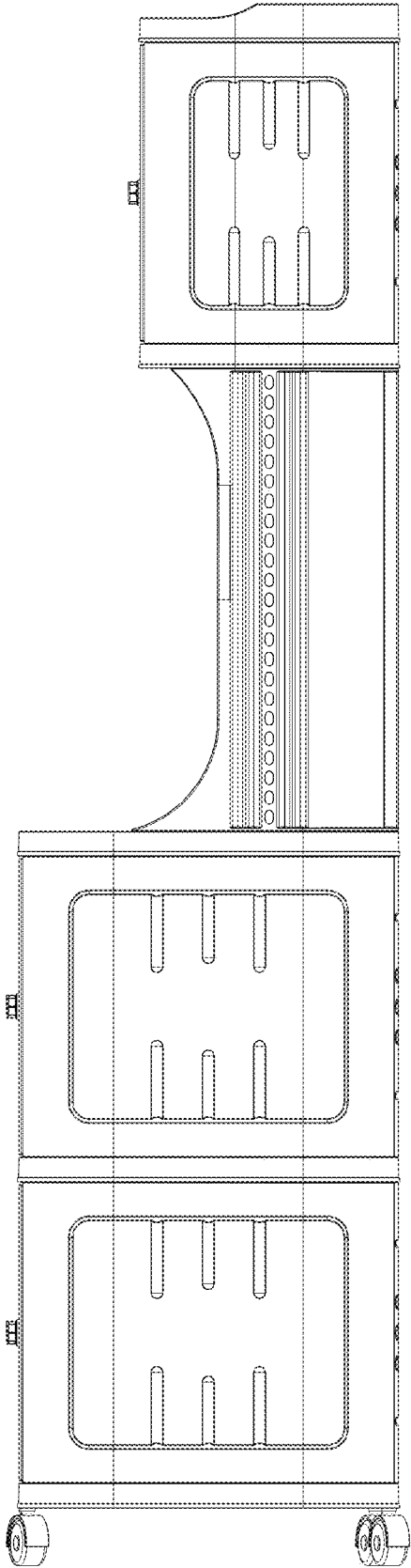


FIG. 5

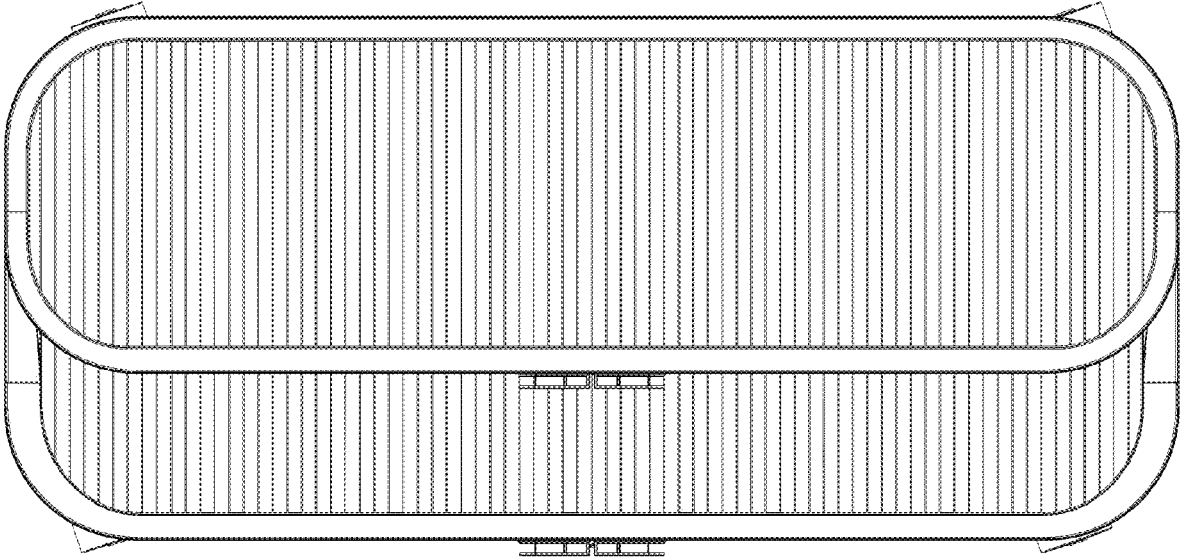


FIG. 6

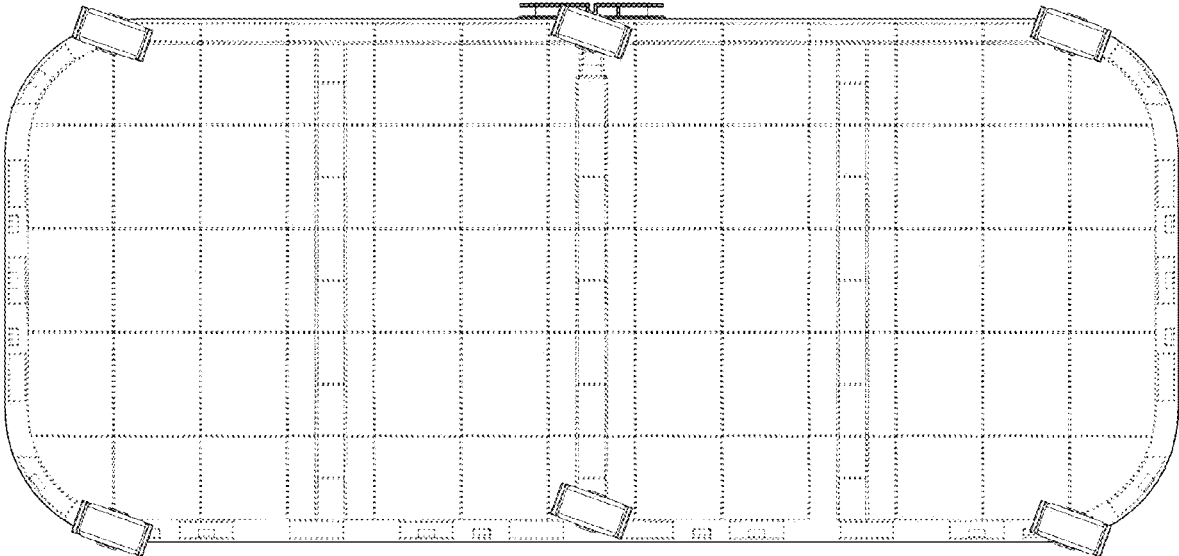


FIG. 7