

(19) World Intellectual Property Organization  
International Bureau



(43) International Publication Date  
5 June 2008 (05.06.2008)

PCT

(10) International Publication Number  
**WO 2008/066905 A3**

- (51) **International Patent Classification:**  
B62B 5/06 (2006.01) B62B 9/20 (2006.01)
- (21) **International Application Number:**  
PCT/US2007/024645
- (22) **International Filing Date:**  
30 November 2007 (30.11.2007)
- (25) **Filing Language:** English
- (26) **Publication Language:** English
- (30) **Priority Data:**  
60/872,180 30 November 2006 (30.11.2006) US  
60/966,821 29 August 2007 (29.08.2007) US
- (71) **Applicant and**
- (72) **Inventor: WICKA, John** [US/US]; 2547 Bridle Creek Trail, Chanhassen, MN 55317 (US).
- (74) **Agent: MARANTIDIS, Constantine;** Christie, Parker & Hale, LLP, Post Office Box 7068, Pasadena, CA 91109-7068 (US).
- (81) **Designated States** (unless otherwise indicated, for every kind of national protection available): AE, AG, AL, AM,

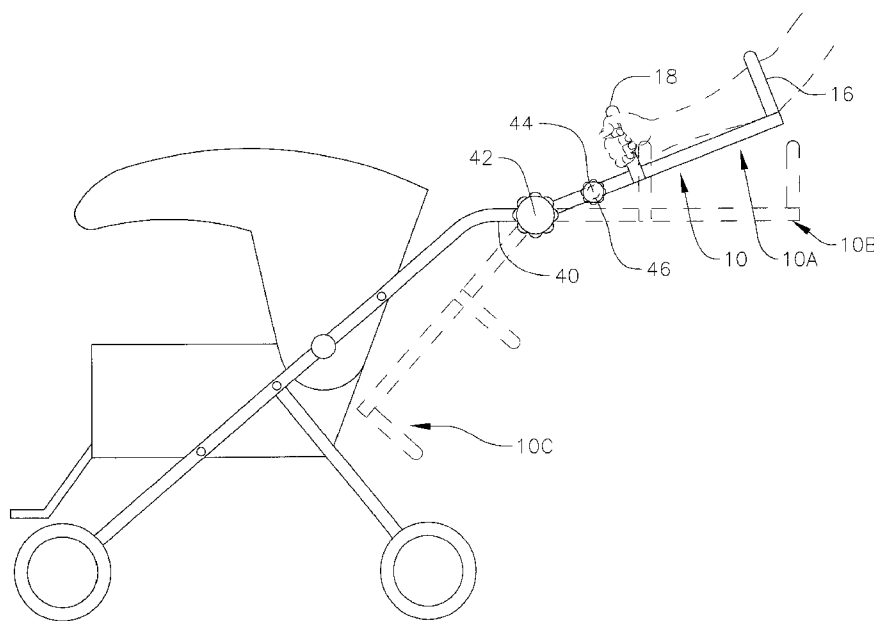
AT, AU, AZ, BA, BB, BG, BH, BR, BW, BY, BZ, CA, CH, CN, CO, CR, CU, CZ, DE, DK, DM, DO, DZ, EC, EE, EG, ES, FI, GB, GD, GE, GH, GM, GT, HN, HR, HU, ID, IL, IN, IS, JP, KE, KG, KM, KN, KP, KR, KZ, LA, LC, LK, LR, LS, LT, LU, LY, MA, MD, ME, MG, MK, MN, MW, MX, MY, MZ, NA, NG, NI, NO, NZ, OM, PG, PH, PL, PT, RO, RS, RU, SC, SD, SE, SG, SK, SL, SM, SV, SY, TJ, TM, TN, TR, TT, TZ, UA, UG, US, UZ, VC, VN, ZA, ZM, ZW

(84) **Designated States** (unless otherwise indicated, for every kind of regional protection available): ARIPO (BW, GH, GM, KE, LS, MW, MZ, NA, SD, SL, SZ, TZ, UG, ZM, ZW), Eurasian (AM, AZ, BY, KG, KZ, MD, RU, TJ, TM), European (AT, BE, BG, CH, CY, CZ, DE, DK, EE, ES, FI, FR, GB, GR, HU, IE, IS, IT, LT, LU, LV, MC, MT, NL, PL, PT, RO, SE, SI, SK, TR), OAPI (BF, BJ, CF, CG, CI, CM, GA, GN, GQ, GW, ML, MR, NE, SN, TD, TG).

**Published:**  
— with international search report  
— before the expiration of the time limit for amending the claims and to be republished in the event of receipt of amendments

(88) **Date of publication of the international search report:**  
9 October 2008

(54) **Title:** DEVICE FOR CONTROLLING WHEELED VEHICLES, WHEELED VEHICLES INCORPORATING SUCH DEVICE AND METHODS OF OPERATING THE SAME



(57) **Abstract:** A device is provided for controlling a wheeled vehicle. The device includes a first member for coupling to the vehicle for extending rearward from the vehicle, a second member forming a handle, and a third member spaced apart from the second member for interfacing with an operator's arm for steering said vehicle, where the third member is spaced further from the vehicle than the second member. Wheeled vehicles incorporating such device as well as methods for steering wheeled vehicles are also provided.

WO 2008/066905 A3

INTERNATIONAL SEARCH REPORT

International application No  
PCT/US2007/024645

**A. CLASSIFICATION OF SUBJECT MATTER**  
INV. B62B5/06 B62B9/20

According to International Patent Classification (IPC) or to both national classification and IPC

**B. REIDS SEARCHED**  
Minimum documentation searched (classification system followed by classification symbols)  
B62B

Documentation searched other than minimum documentation to the extent that such documents are included in the fields searched

Electronic data base consulted during the international search (name of data base and where practical, search terms used)  
EPO-Internal , WPI Data,

**C. DOCUMENTS CONSIDERED TO BE RELEVANT**

Category*	Citation of document, with indication, where appropriate, of the relevant passages	Relevant to claim No
X	FR 2 802 164 A (MECAROUTE [FR]) 15 June 2001 (2001-06-15)  page 7, line 3 - line 15; figure 2 -----	1-3, 5, 22, 23, 26, 28
Y	US 2001/040350 A1 (ALLEN WILLIAM J [US] ET AL) 15 November 2001 (2001-11-15) paragraph [0039]; claims 1,9; figures 1-3,6 -----	1-5, 22-28
Y	US 2003/132614 A1 (KREAMER DAVID HARRISON [US]) 17 July 2003 (2003-07-17) paragraphs [0021], [0031]; claims; figures 1-4 -----	1-5, 22-28

**D** Further documents are listed in the continuation of Box C  See patent family annex

- Special categories of cited documents
- 'A' document defining the general state of the art which is not considered to be of particular relevance
- 'E' earlier document but published on or after the international filing date
- 'L' document which may throw doubts on priority claim(s) or which is cited to establish the publication date of another citation or other special reason (as specified)
- 'O' document referring to an oral disclosure, use, exhibition or other means
- 'p' document published prior to the International filing date but later than the priority date claimed
- 'T' later document published after the international filing date or priority date and not in conflict with the application but cited to understand the principle or theory underlying the invention
- 'X' document of particular relevance, the claimed invention cannot be considered novel or cannot be considered to involve an inventive step when the document is taken alone
- 'Y' document of particular relevance, the claimed invention cannot be considered to involve an inventive step when the document is combined with one or more other such documents such combination being obvious to a person skilled in the art
- '&' document member of the same patent family

Date of the actual completion of the international search  7 April 2008	Date of mailing of the international search report  11/08/2008
---	--

Name and mailing address of the ISA/ European Patent Office, P B 5818 Patentlaan 2 NL - 2280 HV Rijswijk Tel (+31-70) 340-2040, Tx 31 651 epo nl, Fax (+31-70) 340-3016	Authorized officer  Wochinz, Reinmar
---	--

INTERNATIONAL SEARCH REPORT

International application No.  
PCT/US2007/024645

Box No. II Observations where certain claims were found unsearchable (Continuation of item 2 of first sheet)

This international search report has not been established in respect of certain claims under Article 17(2)(a) for the following reasons:

1  I Claims Nos.:

because they relate to subject matter not required to be searched by this Authority, namely.

2  D Claims Nos.:

because they relate to parts of the international application that do not comply with the prescribed requirements to such an extent that no meaningful international search can be carried out, specifically

3  I Claims Nos.:

because they are dependent claims and are not drafted in accordance with the second and third sentences of Rule 6.4(a).

Box No III Observations where unity of invention is lacking (Continuation of item 3 of first sheet)

This International Searching Authority found multiple inventions in this international application, as follows

**see additional sheet**

1  As all required additional search fees were timely paid by the applicant, this international search report covers allsearchable claims

2.  As all searchable claims could be searched without effort justifying an additional fees, this Authority did not invite payment of additional fees

3.  As only some of the required additional search fees were timely paid by the applicant, this international search report covers

4.  No required additional search fees were timely paid by the applicant. Consequently, this international search report is restricted to the invention first mentioned in the claims, it is covered by claims Nos

1-5, 22-28

Remark on Protest

The additional search fees were accompanied by the applicant's protest and, where applicable, the payment of a protest fee.

The additional search fees were accompanied by the applicant's protest but the applicable protest fee was not paid within the time limit specified in the invitation

No protest accompanied the payment of additional search fees

FURTHER INFORMATION CONTINUED FROM PCT/ASA/ 210

This International Searching Authority found multiple (groups of) inventions in this international application, as follows:

1. claims: 1-5, 22-28

A device for controlling a wheeled vehicle, being defined by a fourth member, upstanding portions and pivotable parts.

---

2. claims: 6-9

A device for controlling a wheeled vehicle, being defined by second and third members, both being suitable to interface with an operator's arm.

---

3. claims: 10-21

A cart-like wheeled vehicle, being defined by a handle and a first member, both extending from the vehicle body.

---

4. claims: 29-31

A method for steering a cart-like wheeled vehicle, being defined by providing at least a strap, and by coupling an operator's arm to a section of this strap.

---

# INTERNATIONAL SEARCH REPORT

Information on patent family members

International application No

PCT/US2007/024645

Patent document cited in search report	Publication date	Patent family member(s)	Publication date
FR 2802164	A	15-06-2001	NONE
US 2001040350	A1	15-11-2001	NONE
US 2003132614	A1	17-07-2003	NONE