



- (51) International Patent Classification:  
F21S 2/00 (2006.01) F21Y 101/02 (2006.01)  
F21V 8/00 (2006.01)
- (21) International Application Number: PCT/US2012/024077
- (22) International Filing Date: 7 February 2012 (07.02.2012)
- (25) Filing Language: English
- (26) Publication Language: English
- (30) Priority Data: 61/440,805 8 February 2011 (08.02.2011) US
- (71) Applicant (for all designated States except US): **GE LIGHTING SOLUTIONS LLC** [US/US]; 1975 Noble Road, Nela Park, B338E, Cleveland, OH 44112 (US).
- (72) Inventors; and
- (75) Inventors/Applicants (for US only): **FISHER, Simon** [GB/GB]; 1975 Noble Road, Nela Park, B338E, Cleveland, OH 44112 (US). **LING, Oliver** [GB/GB]; 1975 Noble Road, Nela Park, B338E, Cleveland, OH 44112 (US).
- (74) Agent: **McCOLLISTER, Scott, A.**; Fay Sharpe LLP, The Halle Building, 5th Floor, 1228 Euclid Avenue, Cleveland, OH 44115-1843 (US).
- (81) Designated States (unless otherwise indicated, for every kind of national protection available): AE, AG, AL, AM,

[Continued on next page]

(54) Title: BLADE OF LIGHT LUMINAIRE

(57) Abstract: A luminaire comprising a rectangular waveguide is provided. The waveguide includes four sides and opposed planar surfaces. A light module directs light into only one of the sides at least. One of the planar surfaces includes a specular reflection surface directing light to exit through the opposed planar surface.



WO 2012/109193 A3

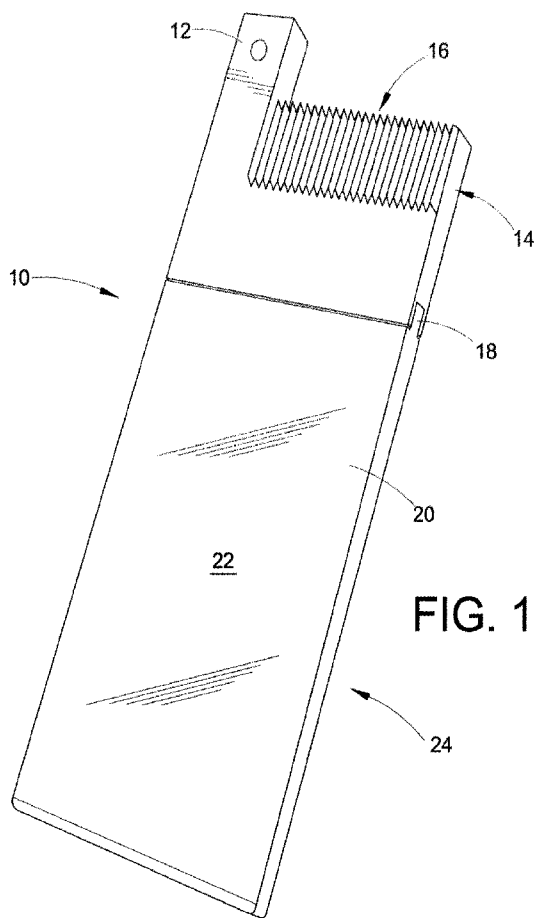


FIG. 1



AO, AT, AU, AZ, BA, BB, BG, BH, BR, BW, BY, BZ, CA, CH, CL, CN, CO, CR, CU, CZ, DE, DK, DM, DO, DZ, EC, EE, EG, ES, FI, GB, GD, GE, GH, GM, GT, HN, HR, HU, ID, IL, IN, IS, JP, KE, KG, KM, KN, KP, KR, KZ, LA, LC, LK, LR, LS, LT, LU, LY, MA, MD, ME, MG, MK, MN, MW, MX, MY, MZ, NA, NG, NI, NO, NZ, OM, PE, PG, PH, PL, PT, QA, RO, RS, RU, RW, SC, SD, SE, SG, SK, SL, SM, ST, SV, SY, TH, TJ, TM, TN, TR, TT, TZ, UA, UG, US, UZ, VC, VN, ZA, ZM, ZW.

**(84) Designated States** (*unless otherwise indicated, for every kind of regional protection available*): ARIPO (BW, GH, GM, KE, LR, LS, MW, MZ, NA, RW, SD, SL, SZ, TZ, UG, ZM, ZW), Eurasian (AM, AZ, BY, KG, KZ, MD, RU, TJ, TM), European (AL, AT, BE, BG, CH, CY, CZ,

DE, DK, EE, ES, FI, FR, GB, GR, HR, HU, IE, IS, IT, LT, LU, LV, MC, MK, MT, NL, NO, PL, PT, RO, RS, SE, SI, SK, SM, TR), OAPI (BF, BJ, CF, CG, CI, CM, GA, GN, GQ, GW, ML, MR, NE, SN, TD, TG).

**Published:**

- *with international search report (Art. 21(3))*
- *before the expiration of the time limit for amending the claims and to be republished in the event of receipt of amendments (Rule 48.2(h))*

**(88) Date of publication of the international search report:**

26 October 2012

**A. CLASSIFICATION OF SUBJECT MATTER***F21S 2/00(2006.01)i, F21V 8/00(2006.01)i, F21Y 101/02(2006.01)n*

According to International Patent Classification (IPC) or to both national classification and IPC

**B. FIELDS SEARCHED**

Minimum documentation searched (classification system followed by classification symbols)

F21S 2/00; G09F 13/04; F21S 8/04; F21V 8/00; G02B 6/00

Documentation searched other than minimum documentation to the extent that such documents are included in the fields searched

Korean utility models and applications for utility models

Japanese utility models and applications for utility models

Electronic data base consulted during the international search (name of data base and, where practicable, search terms used)

eKOMPASS(KIPO internal) &amp; Keywords: (lamp or illumination or light or luminaire) and (LED or emitting or diode) and (plate or panel) and (reflector or reflective) and edge

**C. DOCUMENTS CONSIDERED TO BE RELEVANT**

Category*	Citation of document, with indication, where appropriate, of the relevant passages	Relevant to claim No.
X A	KR 10-2010-0038840 A (LG INNO TEK CO., LTD.) 15 April 2010 See abstract; paragraphs [0023]-[0025], [0038], [0049]-[0057]; figs.2~4.	1-6, 11, 13-16, 19 7-10, 12, 17-18, 20
X A	JP 2004-127931 A (NICHIA CHEM IND LTD) 22 April 2004 See abstract; paragraphs [0002], [0010], [0012]-[0013]; fig.1, fig.9.	1-2, 4-6, 11, 16 3, 7-10, 12-15, 17-20
A	KR 10-0754799 B1 (UB LINK CO., LTD.) 03 September 2007 See abstract; paragraphs [0030]-[0040]; figs.1-4, fig.5.	1-20
A	JP 4174687 B2 (SEIKO EPSON CORPORATION) 05 November 2008 See claim 1; figs.3-6, figs.19-21, figs.91a-91c.	1-20

 Further documents are listed in the continuation of Box C. See patent family annex.

\* Special categories of cited documents:

"A" document defining the general state of the art which is not considered to be of particular relevance

"E" earlier application or patent but published on or after the international filing date

"L" document which may throw doubts on priority claim(s) or which is cited to establish the publication date of citation or other special reason (as specified)

"O" document referring to an oral disclosure, use, exhibition or other means

"P" document published prior to the international filing date but later than the priority date claimed

"T" later document published after the international filing date or priority date and not in conflict with the application but cited to understand the principle or theory underlying the invention

"X" document of particular relevance; the claimed invention cannot be considered novel or cannot be considered to involve an inventive step when the document is taken alone

"Y" document of particular relevance; the claimed invention cannot be considered to involve an inventive step when the document is combined with one or more other such documents, such combination being obvious to a person skilled in the art

"&amp;" document member of the same patent family

Date of the actual completion of the international search

29 AUGUST 2012 (29.08.2012)

Date of mailing of the international search report

**30 AUGUST 2012 (30.08.2012)**

Name and mailing address of the ISA/KR

Korean Intellectual Property Office  
189 Cheongsu-ro, Seo-gu, Daejeon Metropolitan  
City, 302-701, Republic of Korea

Facsimile No. 82-42-472-7140

Authorized officer

KIM, SANG CHEOL

Telephone No. 82-42-481-8521



**INTERNATIONAL SEARCH REPORT**

Information on patent family members

International application No.

**PCT/US2012/024077**

Patent document cited in search report	Publication date	Patent family member(s)	Publication date
KR 10-2010-0038840 A	15.04.2010	None	
JP 2004-127931 A	22.04.2004	JP 04-182848 B2 JP 04-206874 B2 JP 2004-127934 A	19.11.2008 14.01.2009 22.04.2004
KR 10-0754799 B1	03.09.2007	WO 2008-066355 A1	05.06.2008
JP 4174687 B2	05.11.2008	DE 69724411 D1 DE 69724411 T2 DE 69735732 D1 DE 69735732 T2 EP 0878720 A1 EP 0878720 A4 EP 0878720 B1 EP 0878720 B2 EP 1341009 A2 EP 1341009 A3 EP 1341009 B1 JP 04-399483 B2 JP 04-840492 B2 JP 2007-311365 A JP 2010-050100 A JP 4399483 B2 JP 4840492 B2 JP W098-13709A 1 KR 10-0498721 B1 US 2003-0206408 A1 US 6742907 B2 WO 98-13709 A1 WO 98-13709A1	02.10.2003 09.06.2004 24.05.2006 21.09.2006 18.11.1998 28.04.1999 27.08.2003 22.06.2011 03.09.2003 10.09.2003 19.04.2006 30.10.2009 14.10.2011 29.11.2007 04.03.2010 13.01.2010 21.12.2011 02.04.1998 28.11.2005 06.11.2003 01.06.2004 02.04.1998 02.04.1998