



(12) **United States Design Patent**
Fan

(10) **Patent No.:** **US D1,035,293 S**
(45) **Date of Patent:** **** Jul. 16, 2024**

- (54) **OFFICE CHAIR**
- (71) Applicant: **Hangzhou J&S Yard Home Fashion Co., Ltd.**, Zhejiang (CN)
- (72) Inventor: **Weiping Fan**, Zhejiang (CN)
- (73) Assignee: **Jsyard Home Technology Co., LTD**, Hangzhou (CN)
- (**) Term: **15 Years**
- (21) Appl. No.: **29/828,647**
- (22) Filed: **Feb. 28, 2022**
- (51) **LOC (14) Cl.** **06-01**
- (52) **U.S. Cl.**
USPC **D6/366**
- (58) **Field of Classification Search**
USPC D6/334-335, 364-368, 379-380, 716,
D6/716.1
See application file for complete search history.

D924,587 S * 7/2021 Li D6/366
D925,243 S * 7/2021 Li D6/366
D1,002,215 S * 10/2023 Fan D6/366

OTHER PUBLICATIONS

Jayden Creation Swivel Task Chair, available in HomeDepot.com, oldest review date of Mar. 31, 2021, site visited on Dec. 6, 2023, URL: <https://www.homedepot.com/p/JAYDEN-CREATION-Helen-Sage-Velvet-Adjustable-Height-Swivel-Task-Chair-with-Button-tufted-Back-OFDT0092-SA> (Year: 2021).
Design CN307420461, application date Feb. 28, 2022, country code CN, publication date Jun. 28, 2022, owner Hangzhou J S Yard Home Fashion Co Ltd, creator Fan Weiping (Year: 2022).*

* cited by examiner

Primary Examiner — Mary Ann Calabrese
Assistant Examiner — Mark David Wolfley

(57) **CLAIM**

The ornamental design for an office chair, as shown and described.

(56) **References Cited**

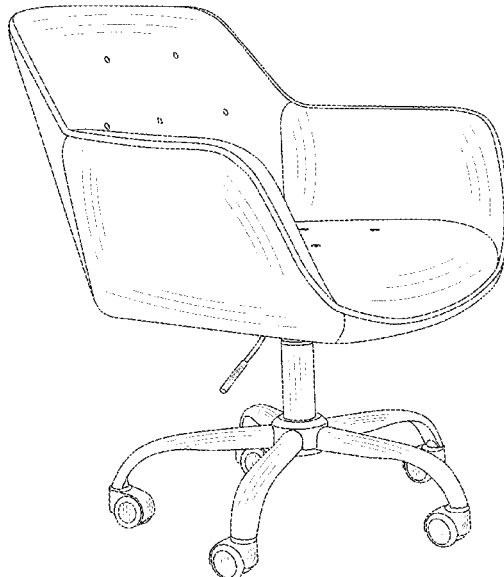
U.S. PATENT DOCUMENTS

D311,287 S *	10/1990	Behringer	D6/366
D572,490 S *	7/2008	Overthun	D6/334
D660,055 S *	5/2012	Kane	D6/716
D664,381 S *	7/2012	Kubryk	D6/366
D730,097 S *	5/2015	Kubryk	D6/716
D730,670 S *	6/2015	Kubryk	D6/716
D758,750 S *	6/2016	Lievore	D6/366
D768,421 S *	10/2016	Kubryk	D6/716
D799,873 S *	10/2017	Swy	D6/716
D879,496 S *	3/2020	Velez	D6/380
D906,708 S *	1/2021	Li	D6/366
D906,709 S *	1/2021	Li	D6/366
D908,383 S *	1/2021	Altherr	D6/366
D916,540 S *	4/2021	Konishi	D6/366
D917,216 S *	4/2021	Kubryk	D6/366
D919,993 S *	5/2021	Li	D6/366
D924,586 S *	7/2021	Li	D6/366

DESCRIPTION

FIG. 1 is a front, left perspective view of the office chair showing my new design.
FIG. 2 is a front view of the office chair.
FIG. 3 is a rear view of the office chair.
FIG. 4 is a left side view of the office chair.
FIG. 5 is a right side view of the office chair.
FIG. 6 is a top view of the office chair; and,
FIG. 7 is a bottom view of the office chair.
Any shading and cross-hatching are not features of the design but are utilized to illustrate the surface contours of the office chair design in the drawings.

1 Claim, 7 Drawing Sheets



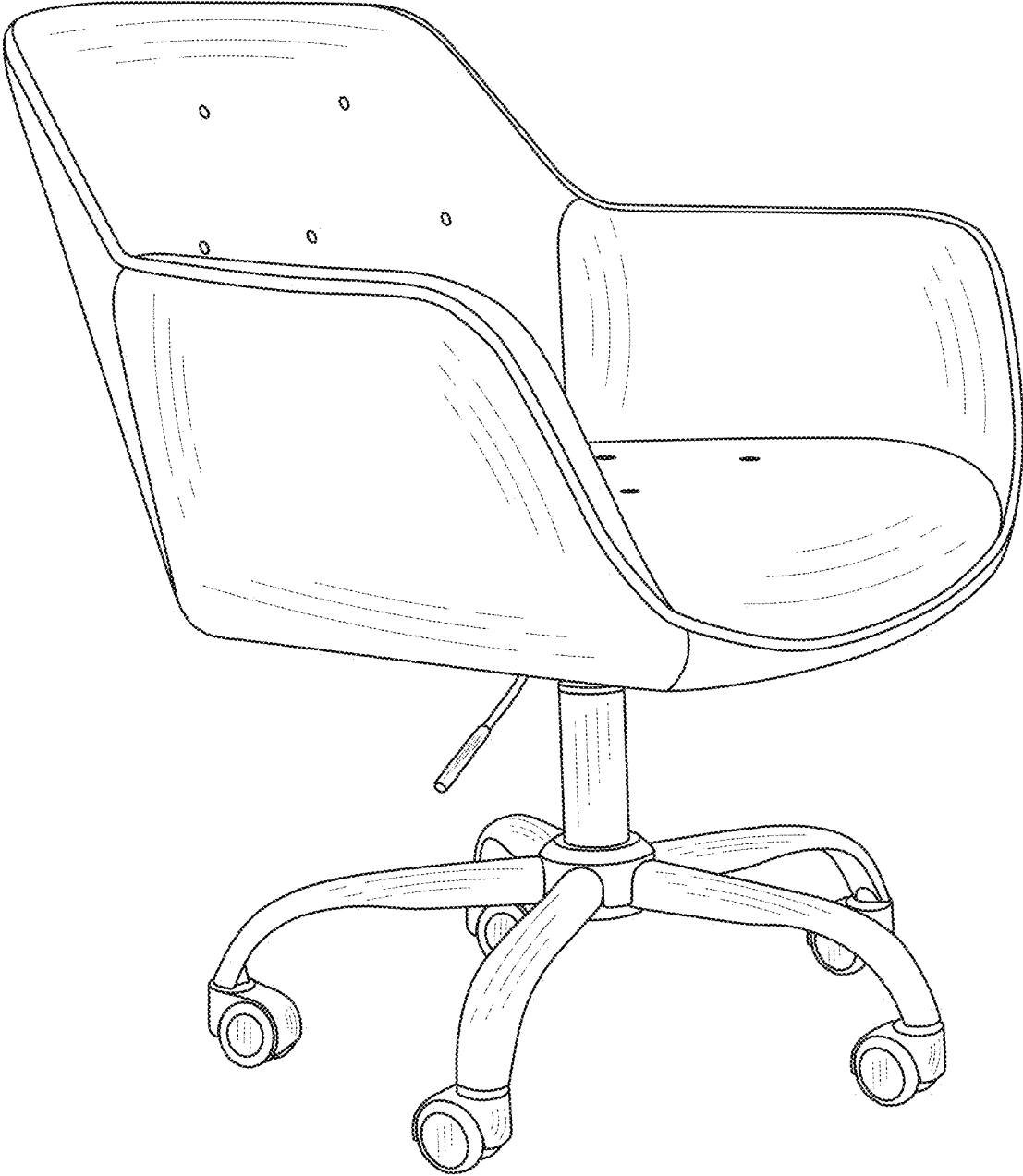


FIG. 1

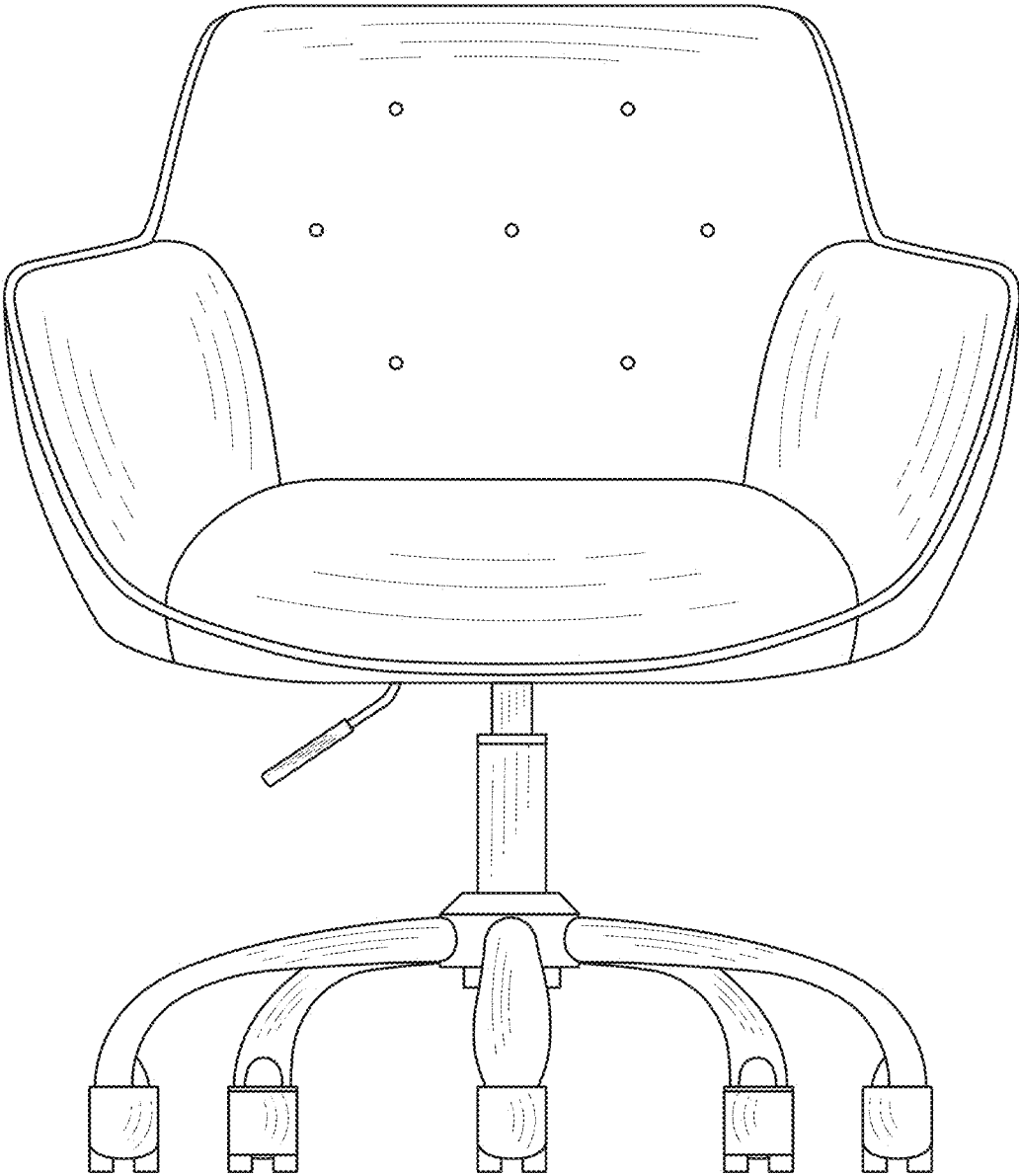


FIG. 2

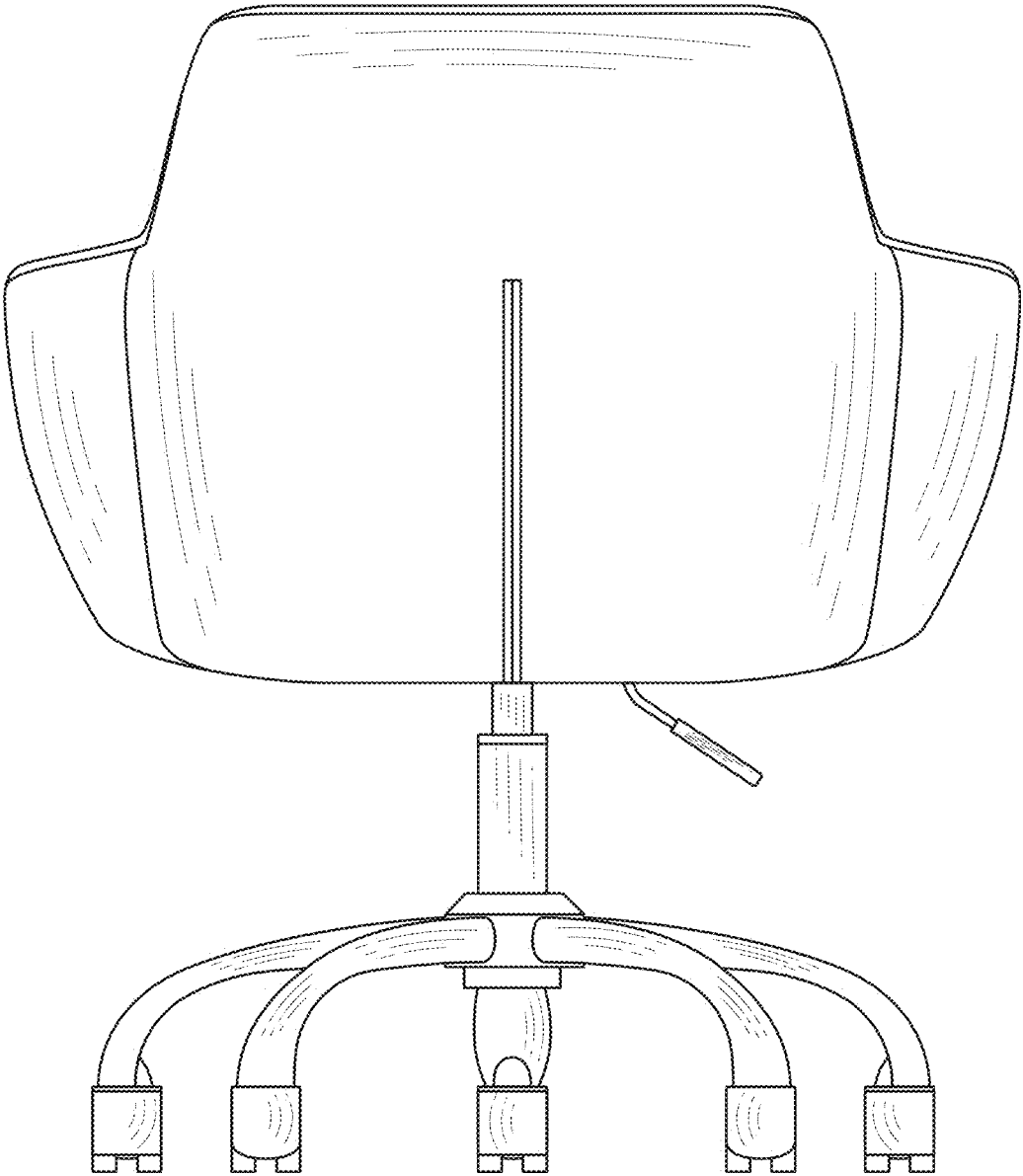


FIG. 3

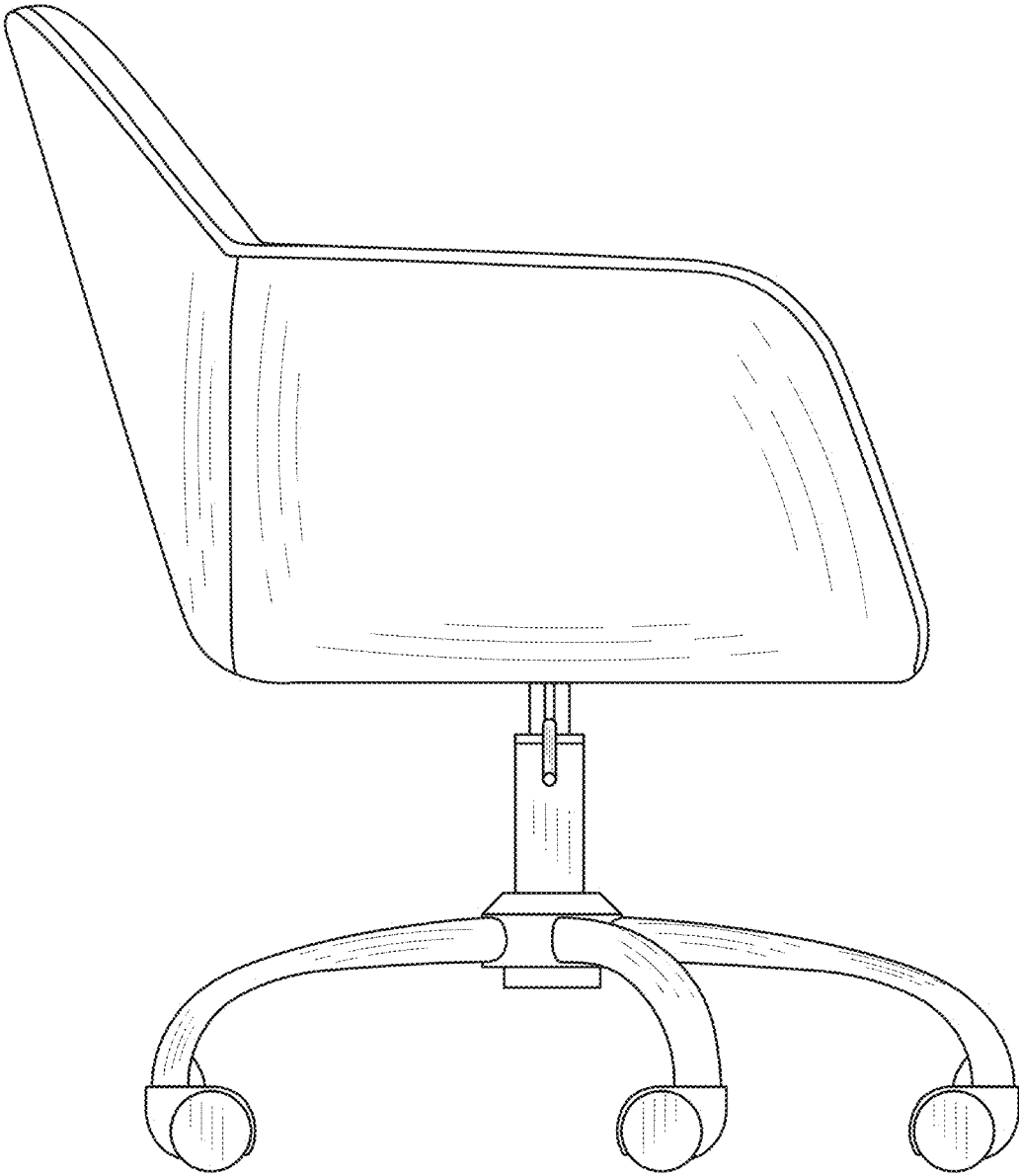


FIG. 4

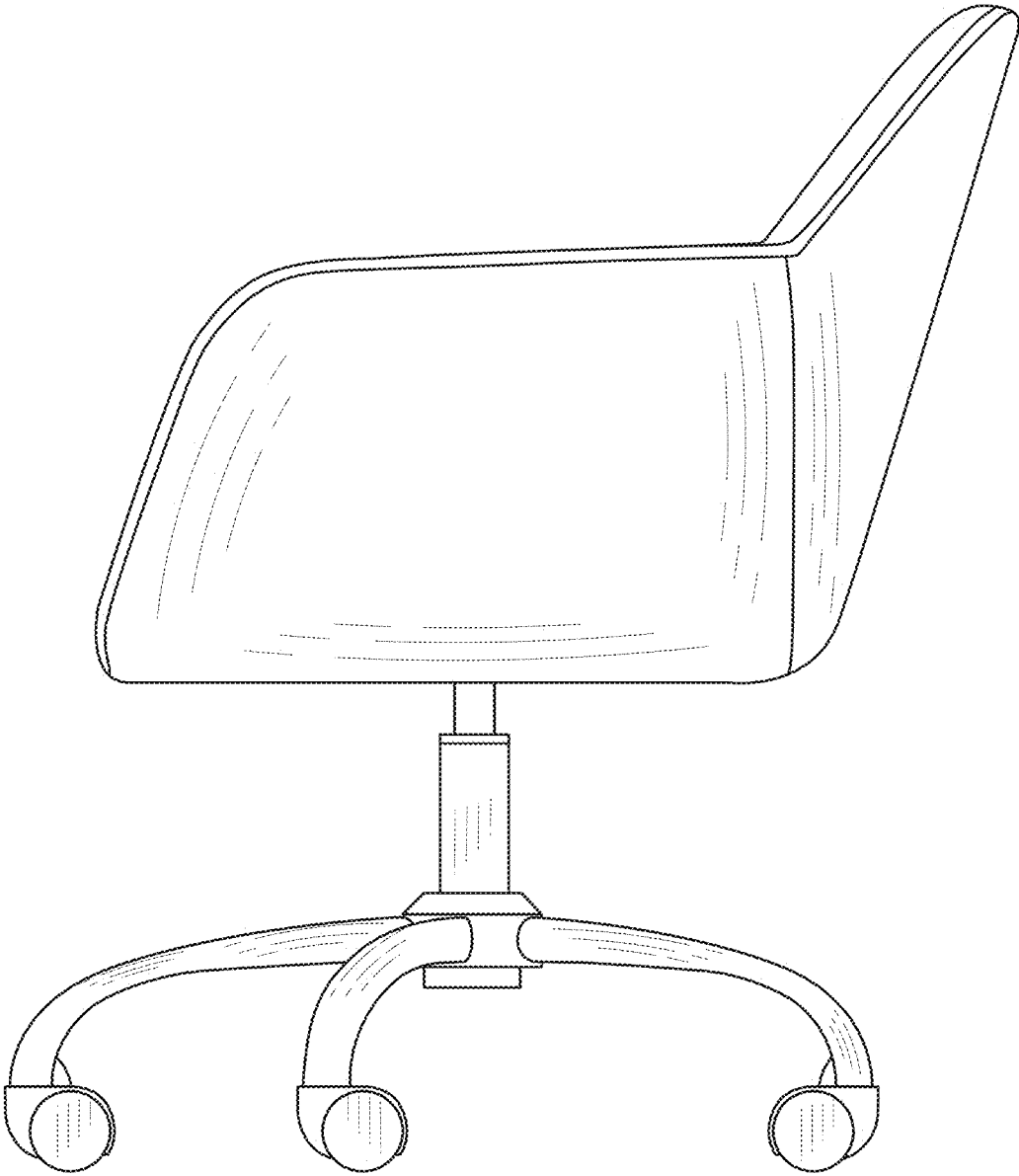


FIG. 5

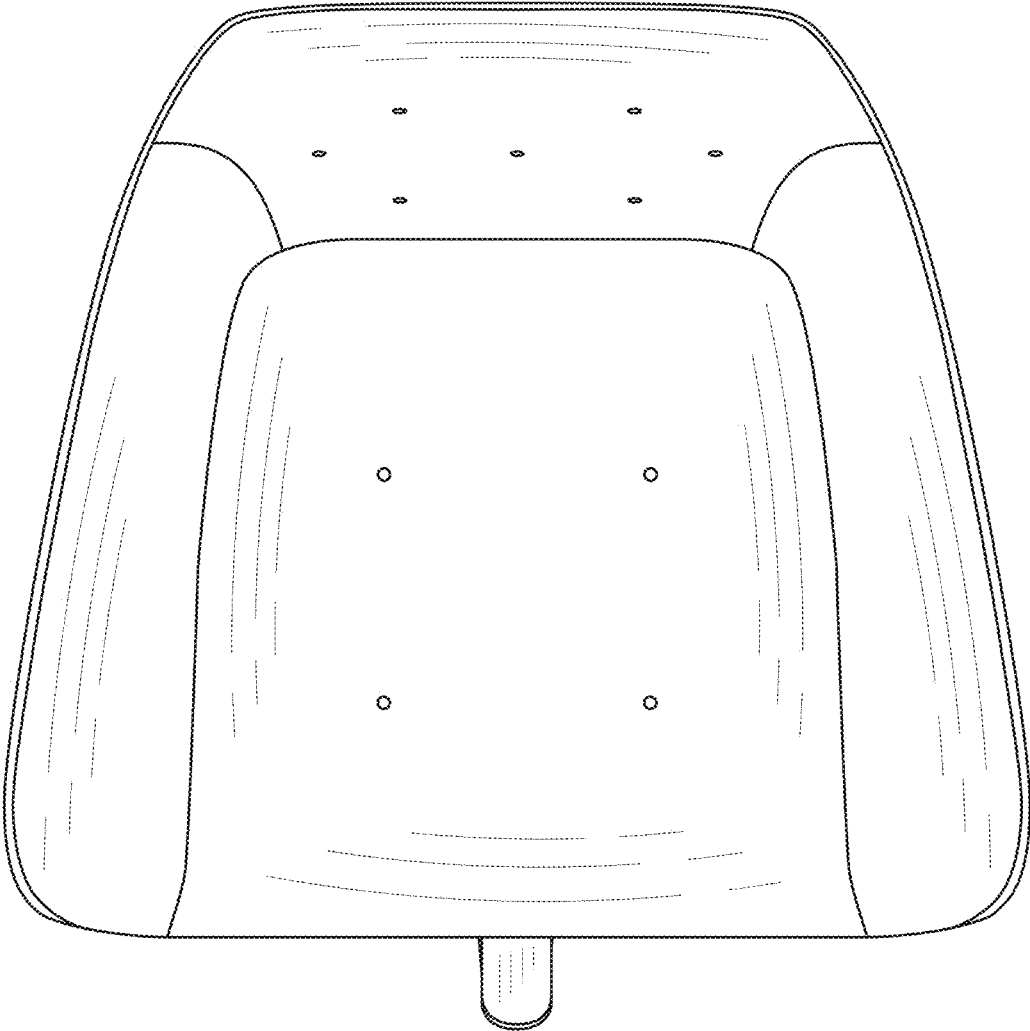


FIG. 6

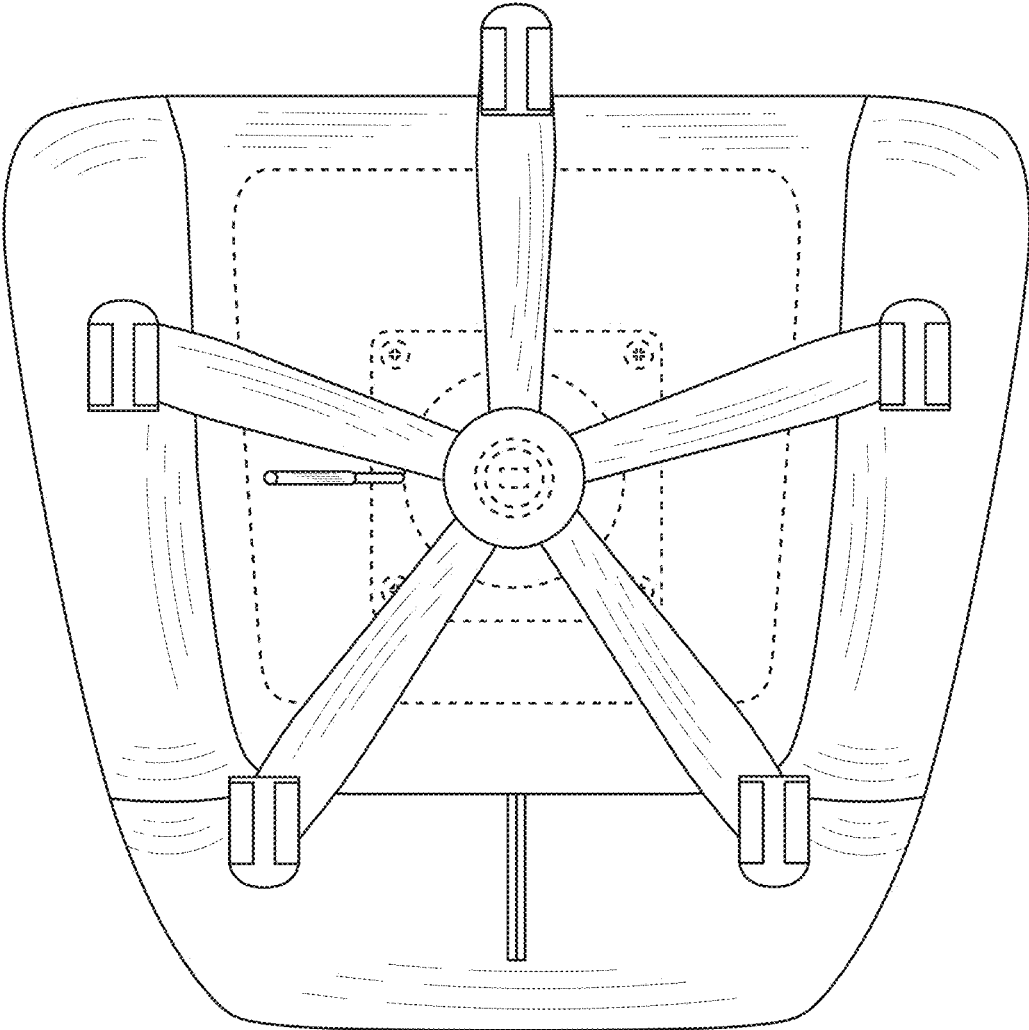


FIG. 7