



US00D712338S

(12) **United States Design Patent**  
**Koch**

(10) **Patent No.:** **US D712,338 S**

(45) **Date of Patent:** **\*\* Sep. 2, 2014**

(54) **CLIP-ON SPRING FOR A WINDSHIELD WIPER**

(76) Inventor: **Jean Koch**, Brossard (CA)

(\*\*) Term: **14 Years**

(21) Appl. No.: **29/411,549**

(22) Filed: **Jan. 23, 2012**

(51) **LOC (10) Cl.** ..... **12-06**

(52) **U.S. Cl.**  
USPC ..... **D12/220**

(58) **Field of Classification Search**  
USPC ..... D12/219–220; 15/246, 247, 250.001,  
15/250.4, 250.361, 250.19, 250.48,  
15/250.03, 250.31–250.33, 250.351,  
15/250.38, 250.201, 250.451, 250.458,  
15/250.04, 250.07, 250.44

See application file for complete search history.

(56) **References Cited**

U.S. PATENT DOCUMENTS

804,352	A *	11/1905	Van .....	5/246
1,963,053	A *	6/1934	Powers .....	5/256
7,178,187	B2 *	2/2007	Barman et al. ....	5/716
D687,980	S *	8/2013	Gravely et al. ....	D26/2
D706,123	S *	6/2014	Mathews et al. ....	D8/382
2006/0042016	A1 *	3/2006	Barman et al. ....	5/716

\* cited by examiner

*Primary Examiner* — Katrina A Betton

(57) **CLAIM**

The ornamental design for a clip-on spring for a windshield wiper, as shown.

**DESCRIPTION**

FIG. 1 is an isometric view of the design installed on a wiper in stippled line since it does not form part of the design  
FIG. 2 is an isometric view  
FIG. 3 is a top view  
FIG. 4 is a side view  
FIG. 5 is a bottom view; and,  
FIG. 6 is a front view.

**1 Claim, 4 Drawing Sheets**

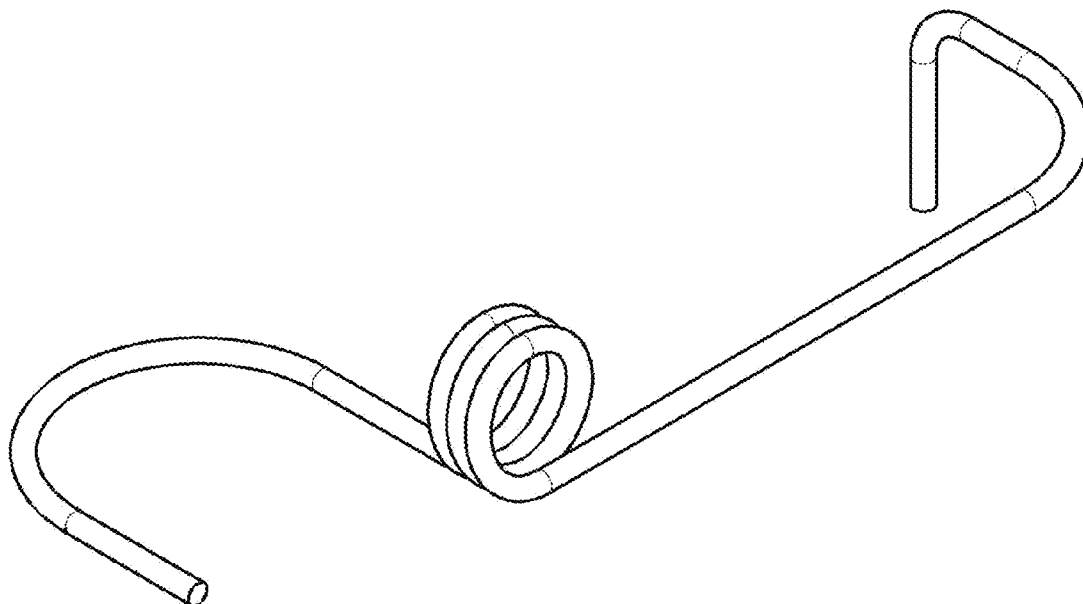
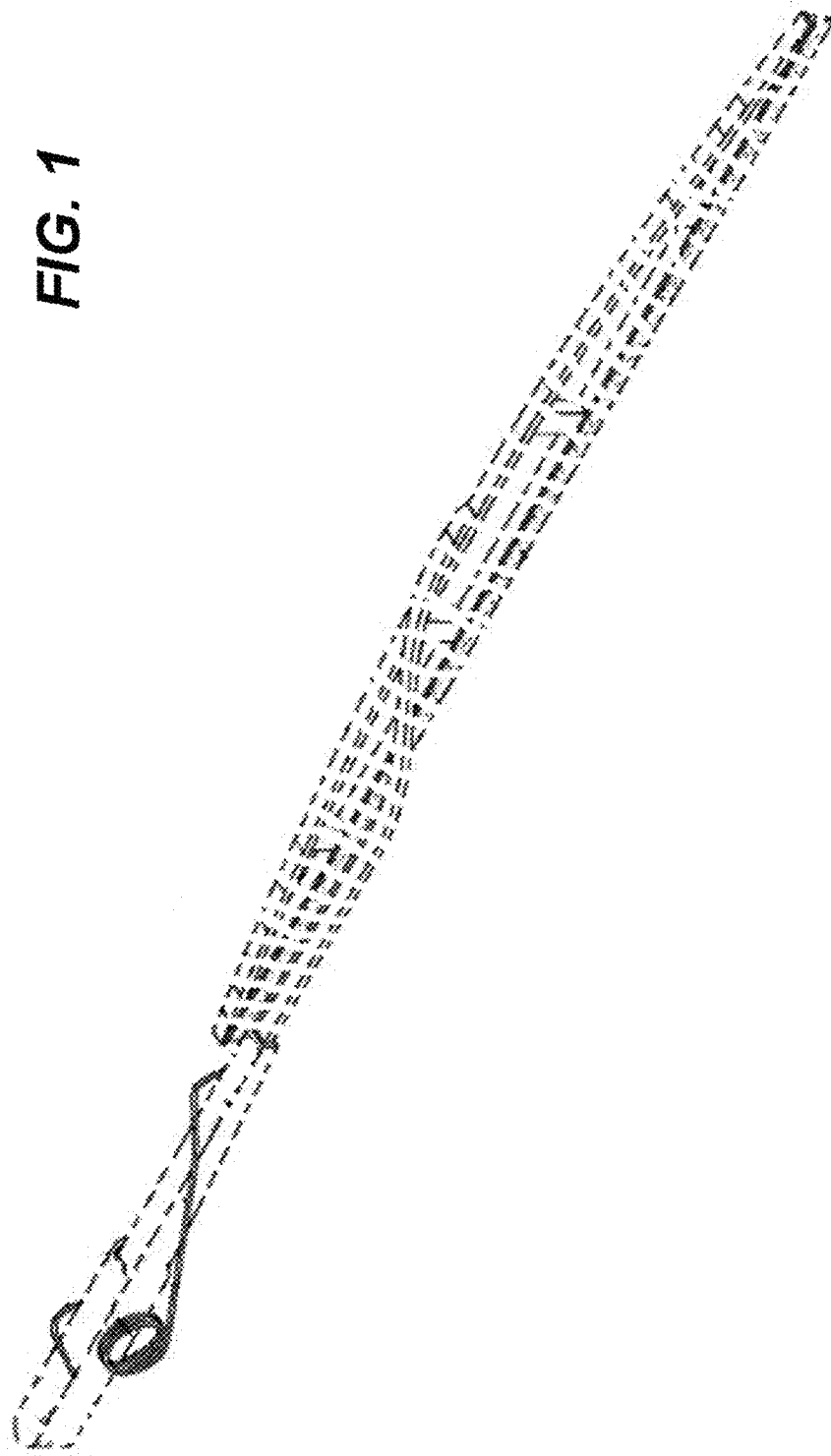


FIG. 1



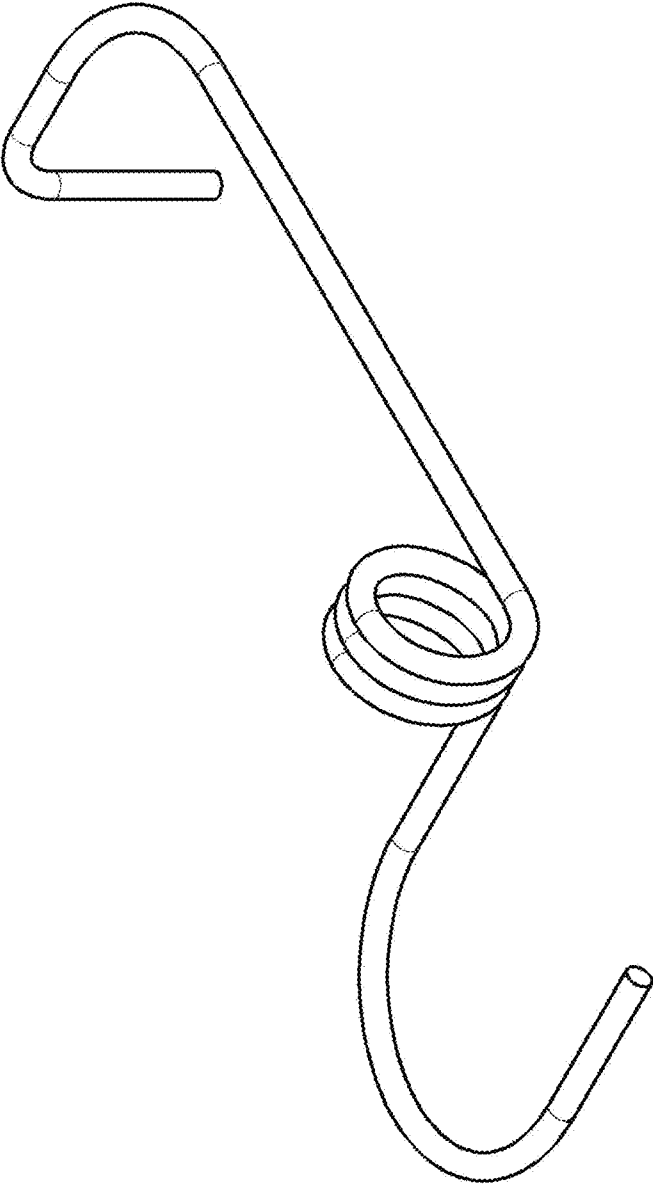


FIG. 2

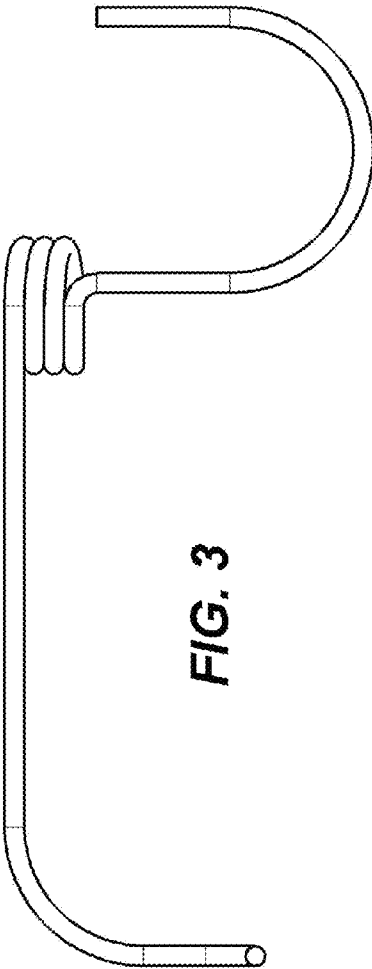


FIG. 3

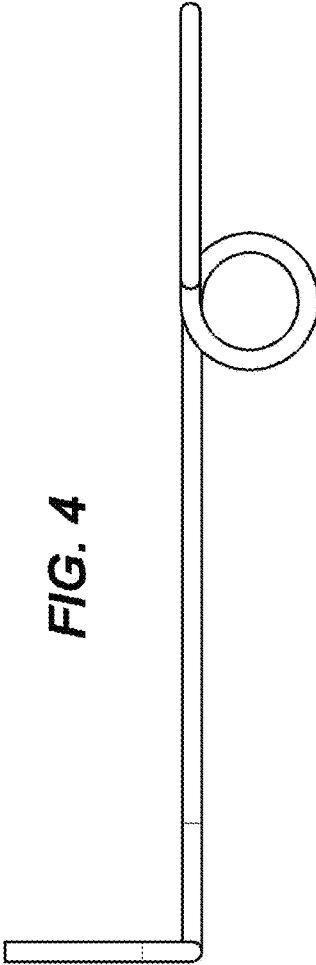


FIG. 4

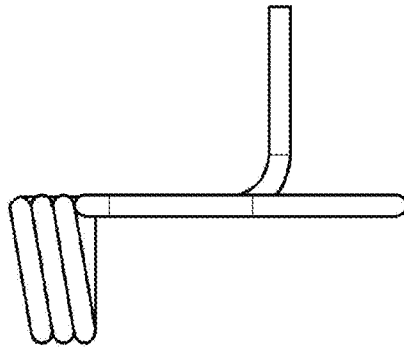


FIG. 6

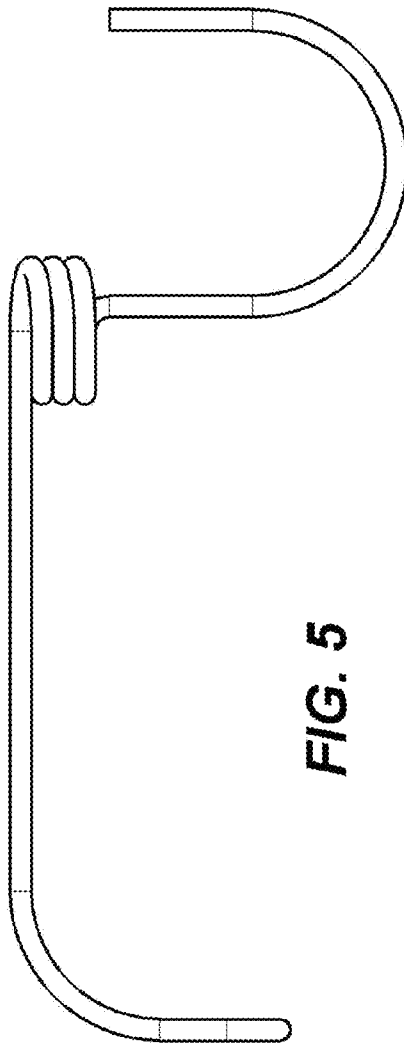


FIG. 5