

(19) World Intellectual Property Organization
International Bureau



(43) International Publication Date
24 November 2005 (24.11.2005)

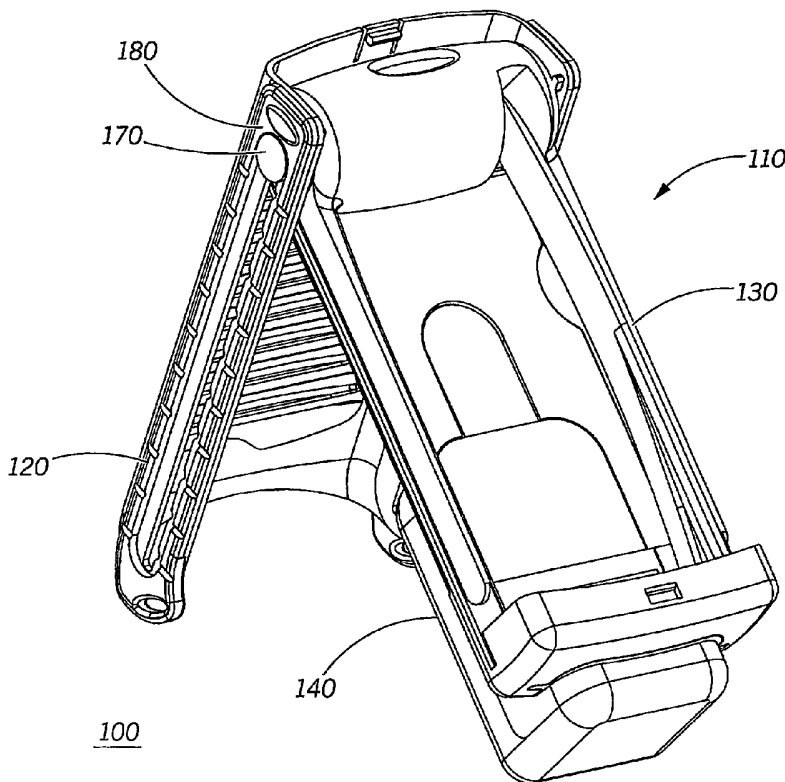
PCT

(10) International Publication Number
WO 2005/111838 A3

- (51) International Patent Classification: **B65D 85/00**
- (74) Agent: **BROWN, Larry, G.**; 8000 West Sunrise Boulevard, Room 1610, Plantation, FL 33322, (US).
- (21) International Application Number: PCT/US2005/014233
- (81) Designated States (unless otherwise indicated, for every kind of national protection available): AE, AG, AL, AM, AT, AU, AZ, BA, BB, BG, BR, BW, BY, BZ, CA, CH, CN, CO, CR, CU, CZ, DE, DK, DM, DZ, EC, EE, EG, ES, FI, GB, GD, GE, GH, GM, HR, HU, ID, IL, IN, IS, JP, KE, KG, KM, KP, KR, KZ, LC, LK, LR, LS, LT, LU, LV, MA, MD, MG, MK, MN, MW, MX, MZ, NA, NI, NO, NZ, OM, PG, PH, PL, PT, RO, RU, SC, SD, SE, SG, SK, SL, SM, SY, TJ, TM, TN, TR, TT, TZ, UA, UG, US, UZ, VC, VN, YU, ZA, ZM, ZW.
- (22) International Filing Date: 26 April 2005 (26.04.2005)
- (25) Filing Language: English
- (26) Publication Language: English
- (30) Priority Data: 10/837,418 30 April 2004 (30.04.2004) US
- (71) Applicant (for all designated States except US): **MOTOROLA, INC.** [US/US]; 1303 East Algonquin Road, Schaumburg, IL 60196 (US).
- (72) Inventors; and
- (75) Inventors/Applicants (for US only): **NILSEN, Ryan, M.** [US/US]; 4491 Crystal Lake Drive, 201A, Pompano Beach, FL 33064 (US). **TRACY, James, L.** [US/US]; 4626 N.W. 57th Lane, Coral Springs, FL 33067 (US). **DESAI, Nitin, B.** [US/US]; 11182 N.W. 16th Place, Coral Springs, FL 33071 (US). **ZOLLO, James, A.** [US/US]; 4014 Staghorn Lane, Weston, FL 33331 (US).
- (84) Designated States (unless otherwise indicated, for every kind of regional protection available): ARIPO (BW, GH, GM, KE, LS, MW, MZ, NA, SD, SL, SZ, TZ, UG, ZM, ZW), Eurasian (AM, AZ, BY, KG, KZ, MD, RU, TJ, TM), European (AT, BE, BG, CH, CY, CZ, DE, DK, EE, ES, FI, FR, GB, GR, HU, IE, IS, IT, LT, LU, MC, NL, PL, PT, RO, SE, SI, SK, TR), OAPI (BF, BJ, CF, CG, CI, CM, GA, GN, GQ, GW, ML, MR, NE, SN, TD, TG).

[Continued on next page]

(54) Title: COMBINED PACKAGING AND STORAGE APPARATUS HAVING ADDED FUNCTIONALITY



(57) Abstract: A multi-purpose product packaging (100, 200) for an electronic host product (250) having its own casing can include an apparatus casing (110, 210) for removably and substantially encasing the electronic host product, circuitry (240) within the apparatus casing for providing at least one function to the electronic host product, and an interface (255) on the apparatus casing for enabling the at least one function to operate in conjunction with the electronic product. The apparatus casing can be made of recyclable products and the interface can form a portion of the circuitry within the apparatus casing. In one embodiment, the electronic host device can be a phone and the circuitry can provide any number of functions including the function of charging a power source within the phone.

WO 2005/111838 A3



Published:

— *with international search report*

(88) Date of publication of the international search report:

23 March 2006

For two-letter codes and other abbreviations, refer to the "Guidance Notes on Codes and Abbreviations" appearing at the beginning of each regular issue of the PCT Gazette.

INTERNATIONAL SEARCH REPORT

PCT/US05/14233

A. CLASSIFICATION OF SUBJECT MATTER

IPC(7): B65D 85/00 and US: 206/320, 701

According to International Patent Classification (IPC) or to both national classification and IPC

B. FIELDS SEARCHED

Minimum documentation searched (classification system followed by classification symbols)
US: 206/320, 336, 356, 576, 701

Documentation searched other than minimum documentation to the extent that such documents are included in the fields searched

Electronic data base consulted during the international search (name of data base and, where practicable, search terms used)

MicroPat, IP.com, DialogPRO

C. DOCUMENTS CONSIDERED TO BE RELEVANT

Category*	Citation of document, with indication, where appropriate, of the relevant passages	Relevant to claim No.
X	US 6,347,796 B1 (Grossman et al.) 19 February 2002 (19.02.2002), see entire document.	1-2, 4, and 6-9
---		-----
Y		10
Y	US20010040109 A1 (Yaski et al.) 15 November 2001 (15.11.2001), see entire document.	10
A	US 6,206,480 B1 (Thompson) 27 March 2001 (27.03.2001), see entire document.	1-10
A	US 6,216,866 B1 (Schoenberg) 17 April 2001 (17.04.2001), see entire document.	1-10
A	US 20010035242 A1 (Hughes et al.) 01 November 2001 (01.11.2001), see entire document.	1-10
A	US 20030057131 A1 (Diaferia) 27 March 2003 (27.03.2003), see entire document.	1-10

Further documents are listed in the continuation of Box C. See patent family annex.

<p>* Special categories of cited documents:</p> <p>"A" document defining the general state of the art which is not considered to be of particular relevance</p> <p>"E" earlier application or patent but published on or after the international filing date</p> <p>"L" document which may throw doubts on priority claim(s) or which is cited to establish the publication date of another citation or other special reason (as specified)</p> <p>"O" document referring to an oral disclosure, use, exhibition or other means</p> <p>"P" document published prior to the international filing date but later than the priority date claimed</p>	<p>"T" later document published after the international filing date or priority date and not in conflict with the application but cited to understand the principle or theory underlying the invention</p> <p>"X" document of particular relevance; the claimed invention cannot be considered novel or cannot be considered to involve an inventive step when the document is taken alone</p> <p>"Y" document of particular relevance; the claimed invention cannot be considered to involve an inventive step when the document is combined with one or more other such documents, such combination being obvious to a person skilled in the art</p> <p>"&" document member of the same patent family</p>
---	---

Date of the actual completion of the international search
25 October 2005 (25.10.2005)

Date of mailing of the international search report
22 DEC 2005

Name and mailing address of the ISA/US
Mail Stop PCT, Attn: ISA/US, Commissioner for Patents
P.O. Box 1450, Alexandria, Virginia 22313-1450
Facsimile No. 571-273-3201

Authorized officer:
Blaine R. Copenheaver
Telephone No. 571-272-7774