



US00D512049S

(12) **United States Design Patent**
Yang

(10) **Patent No.:** **US D512,049 S**

(45) **Date of Patent:** **** Nov. 29, 2005**

(54) **EARPHONE**

(75) Inventor: **Bill Yang, Taipei (TW)**

(73) Assignee: **Cotron Corporation, Taipei (TW)**

(**) Term: **14 Years**

(21) Appl. No.: **29/207,211**

(22) Filed: **Jun. 8, 2004**

(30) **Foreign Application Priority Data**

Jun. 8, 2004 (TW) 93303421

(51) **LOC (8) Cl.** **14-01**

(52) **U.S. Cl.** **D14/223; D14/205**

(58) **Field of Search** **D14/188, 192,**
D14/205, 206, 223; 181/129, 130, 135;
381/380, 381, 385; 379/430

(56) **References Cited**

U.S. PATENT DOCUMENTS

4,736,435	A	*	4/1988	Yokoyama et al.	381/380
4,742,887	A	*	5/1988	Yamagishi	181/129
D311,007	S	*	10/1990	Daido	D14/205
D318,864	S	*	8/1991	Daido et al.	D14/205

D331,062	S	*	11/1992	Kanno	D14/223
D337,119	S	*	7/1993	Taniguchi	D14/223
D337,589	S	*	7/1993	Wada	D14/223
D357,921	S	*	5/1995	Ming-Chin	D14/223
6,084,976	A	*	7/2000	Lin	381/380
D430,146	S	*	8/2000	Lin	D14/223
D479,834	S	*	9/2003	Salazar et al.	D14/205

* cited by examiner

Primary Examiner—Paula A. Greene

(74) *Attorney, Agent, or Firm*—J.C. Patents

(57) **CLAIM**

The ornamental design for an earphone, as shown and described.

DESCRIPTION

FIG. 1 is a top, front, and right side perspective view of an earphone showing the new design.

FIG. 2 is a front elevational view thereof.

FIG. 3 is a rear elevational view thereof.

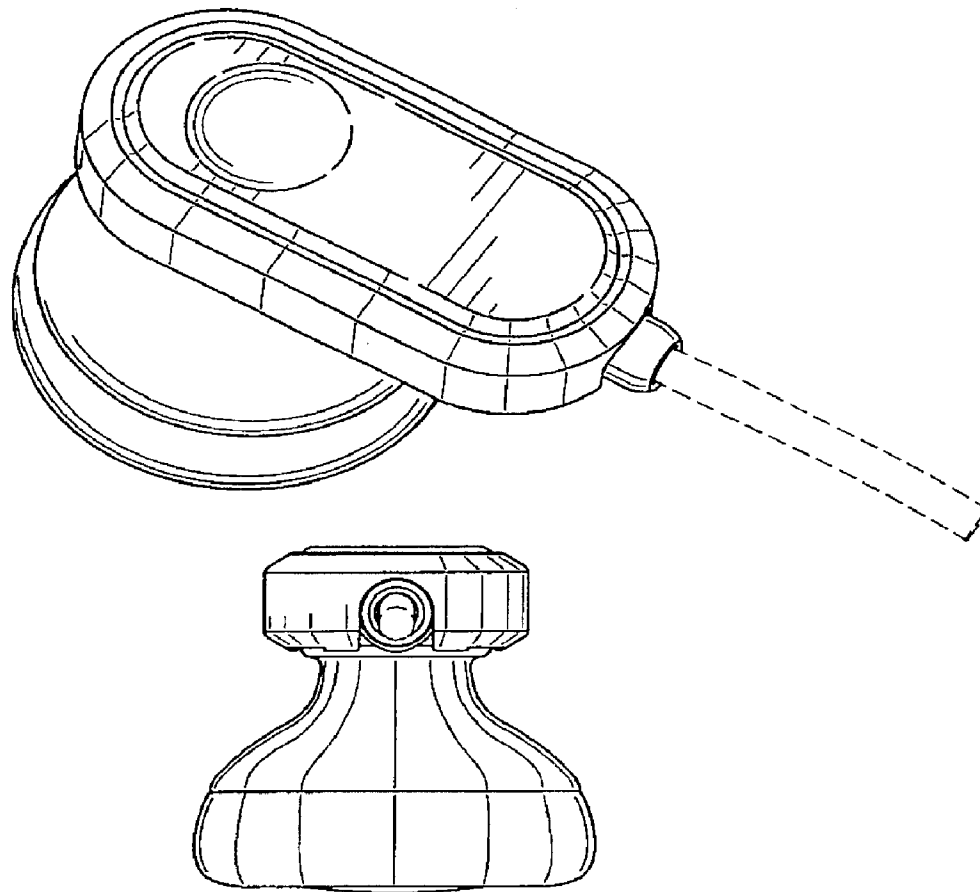
FIG. 4 is a left side elevational view thereof.

FIG. 5 is a right side elevational view thereof.

FIG. 6 is a top plan view thereof; and,

FIG. 7 is a bottom plan view thereof.

1 Claim, 4 Drawing Sheets



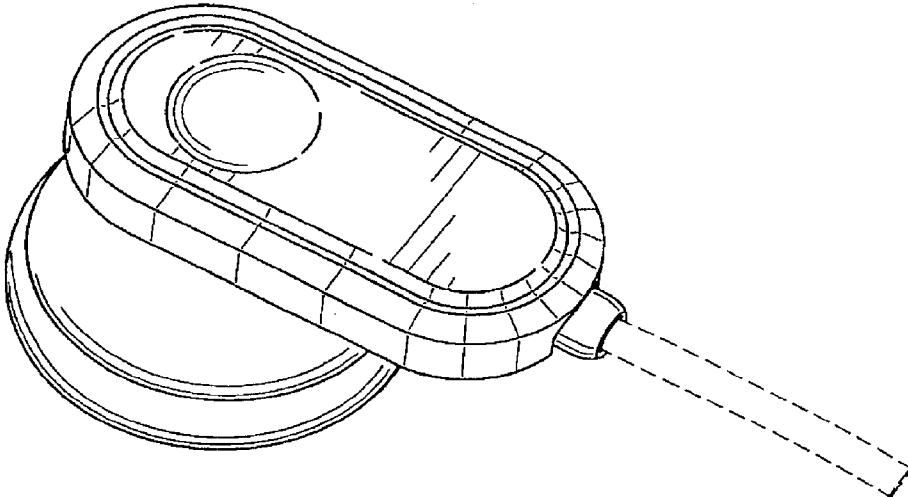


FIG. 1

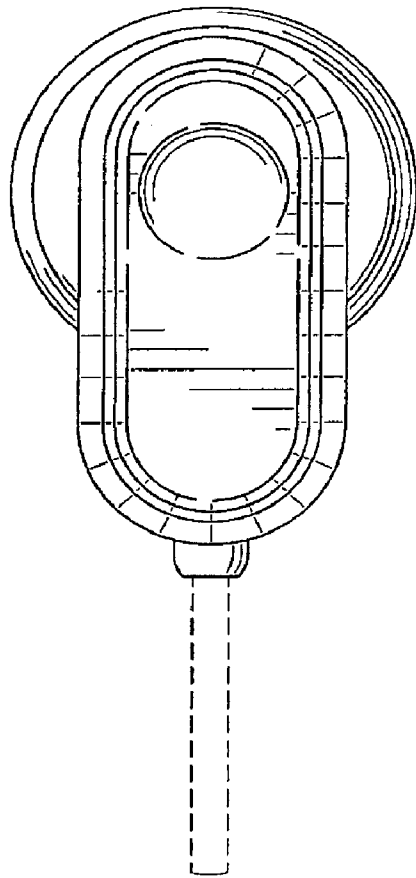


FIG. 2

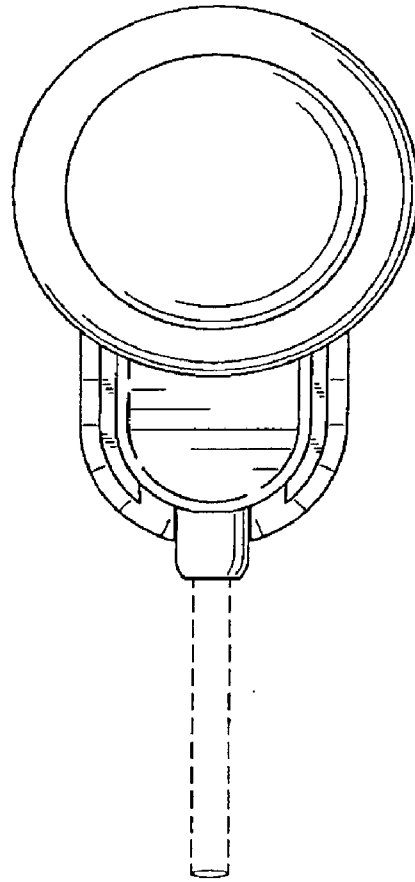


FIG. 3

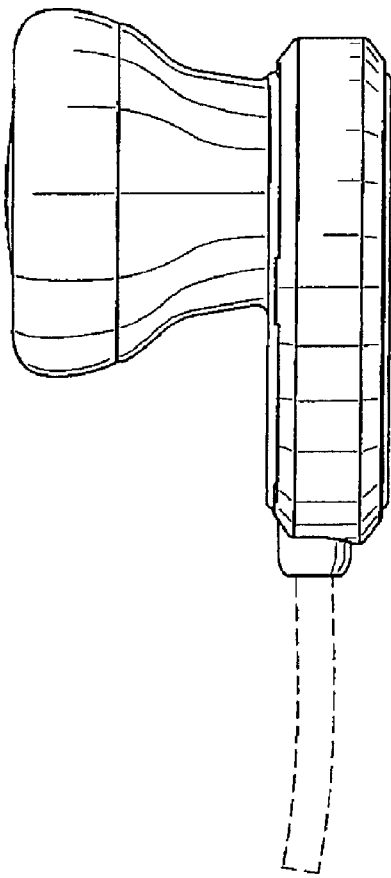


FIG. 4

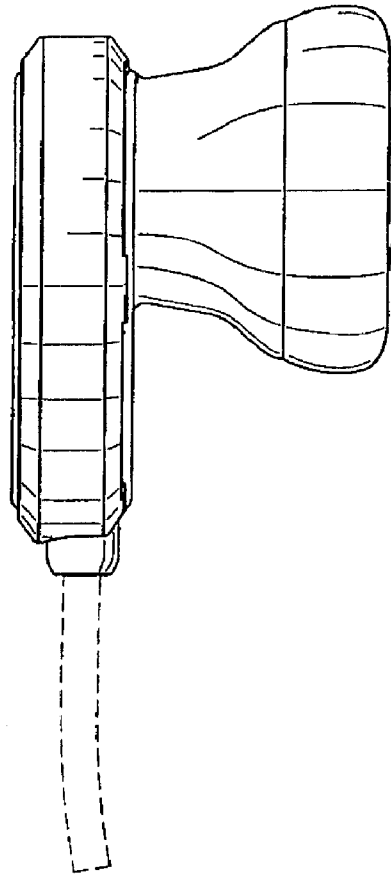


FIG. 5

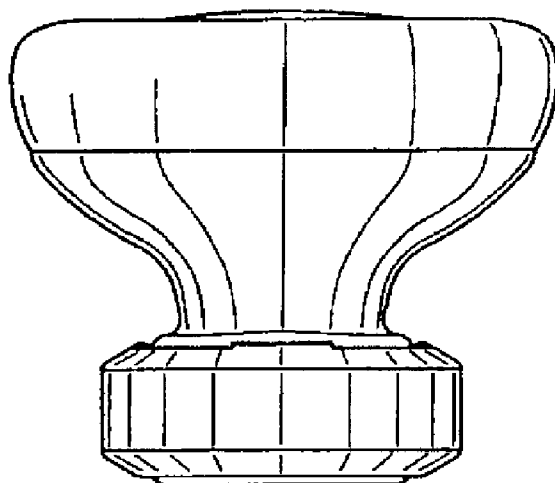


FIG. 6

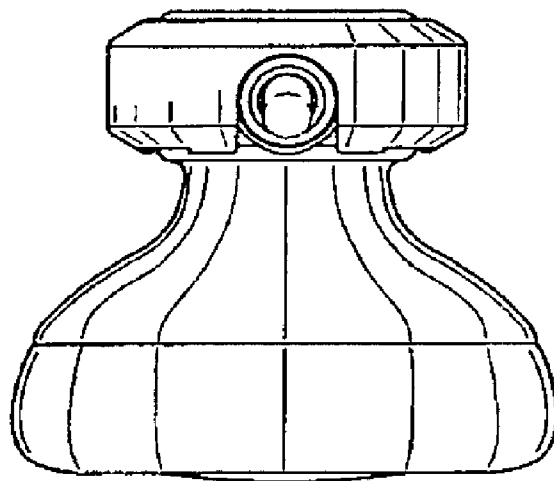


FIG. 7