



US00D889016S

(12) **United States Design Patent**  
**Qiu**

(10) **Patent No.:** **US D889,016 S**

(45) **Date of Patent:** **\*\* Jun. 30, 2020**

(54) **LED WORK LIGHT**

(71) Applicant: **Dongguan Kaisen Information Technology Ltd**, Dongguan, Guangdong (CN)

(72) Inventor: **Lei Qiu**, Guangdong (CN)

(\*\*) Term: **15 Years**

(21) Appl. No.: **29/726,354**

(22) Filed: **Mar. 3, 2020**

(30) **Foreign Application Priority Data**

Apr. 9, 2019 (EM) ..... 006813218

(51) **LOC (12) Cl.** ..... **26-03**

(52) **U.S. Cl.**  
USPC ..... **D26/63**

(58) **Field of Classification Search**  
USPC ..... D26/1, 24, 61, 63, 65, 85, 92  
CPC ..... F21V 21/14; F21V 15/01; F21V 14/02;  
F21V 21/30; F21V 21/00; F21V 14/00;  
F21V 21/06; F21S 8/00; F21S 8/003;  
F21S 8/043; F21Y 2105/001  
See application file for complete search history.

(56) **References Cited**

**U.S. PATENT DOCUMENTS**

D780,969 S \* 3/2017 Zhu ..... D26/63  
D796,718 S \* 9/2017 Zhou ..... D26/63

D827,170 S \* 8/2018 Zhang ..... D26/44  
D841,853 S 2/2019 Wu  
D844,208 S \* 3/2019 You ..... D26/63  
D845,529 S \* 4/2019 Koshiba ..... D26/63  
D854,718 S \* 7/2019 Yuan ..... D26/63

\* cited by examiner

*Primary Examiner* — Brian N. Vinson

(74) *Attorney, Agent, or Firm* — ZANIP

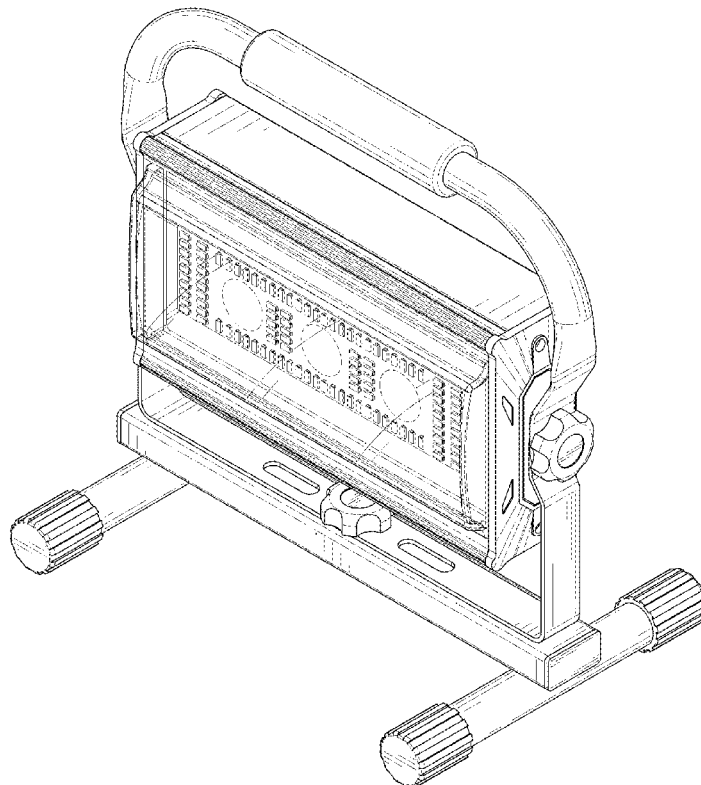
(57) **CLAIM**

The ornamental design for an LED work light, as shown and described.

**DESCRIPTION**

FIG. 1 is a front and top perspective view of an LED work light, showing my new design;  
FIG. 2 is a rear and bottom perspective view thereof;  
FIG. 3 is a front elevational view thereof;  
FIG. 4 is a rear elevational view thereof;  
FIG. 5 is a left side elevational view thereof;  
FIG. 6 is a right side elevational view thereof;  
FIG. 7 is a top plan view thereof; and,  
FIG. 8 is a bottom plan view thereof.  
The broken lines in the figures illustrate portions of the LED work light that form, no part of the claimed design.

**1 Claim, 8 Drawing Sheets**



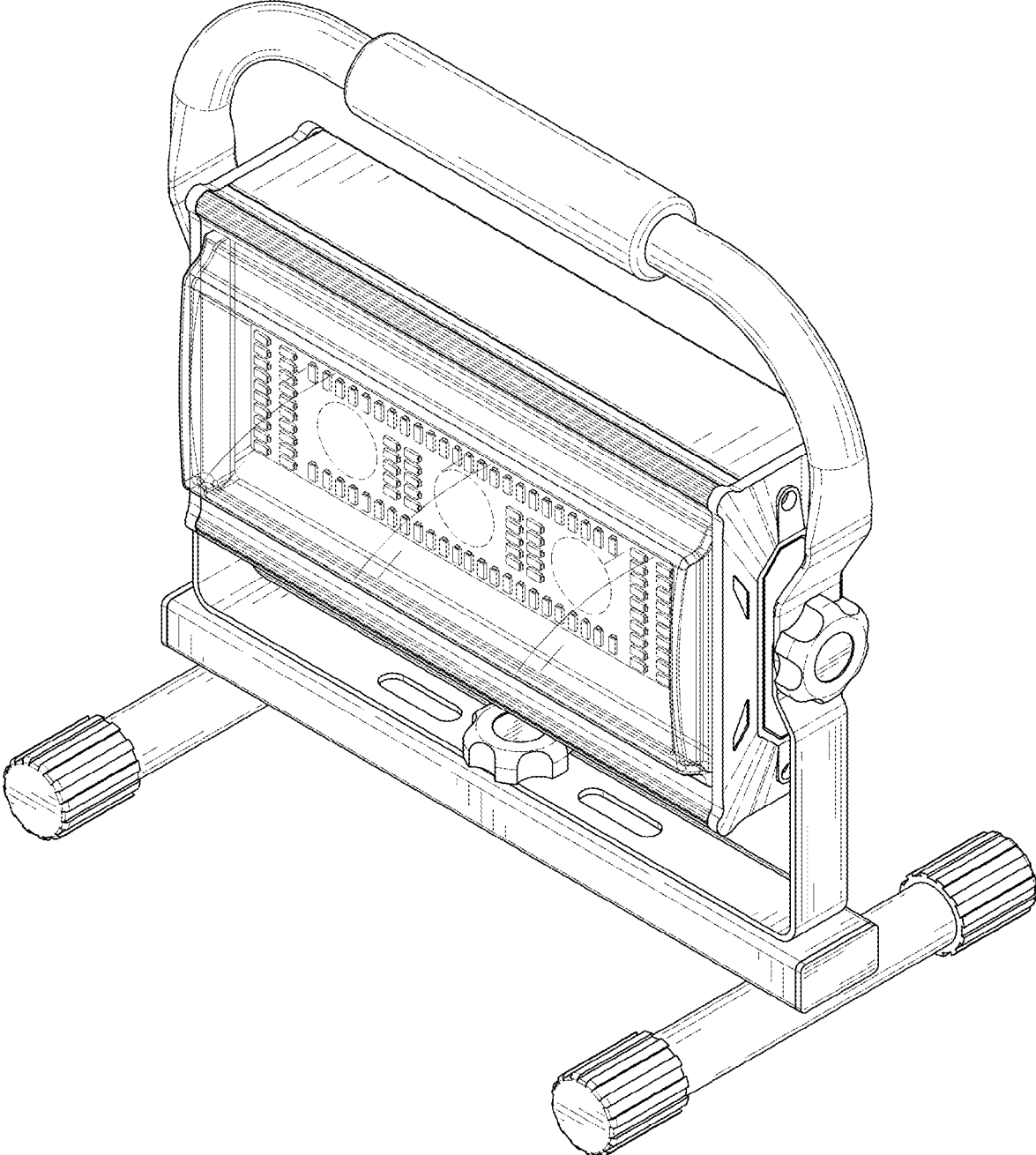


FIG. 1

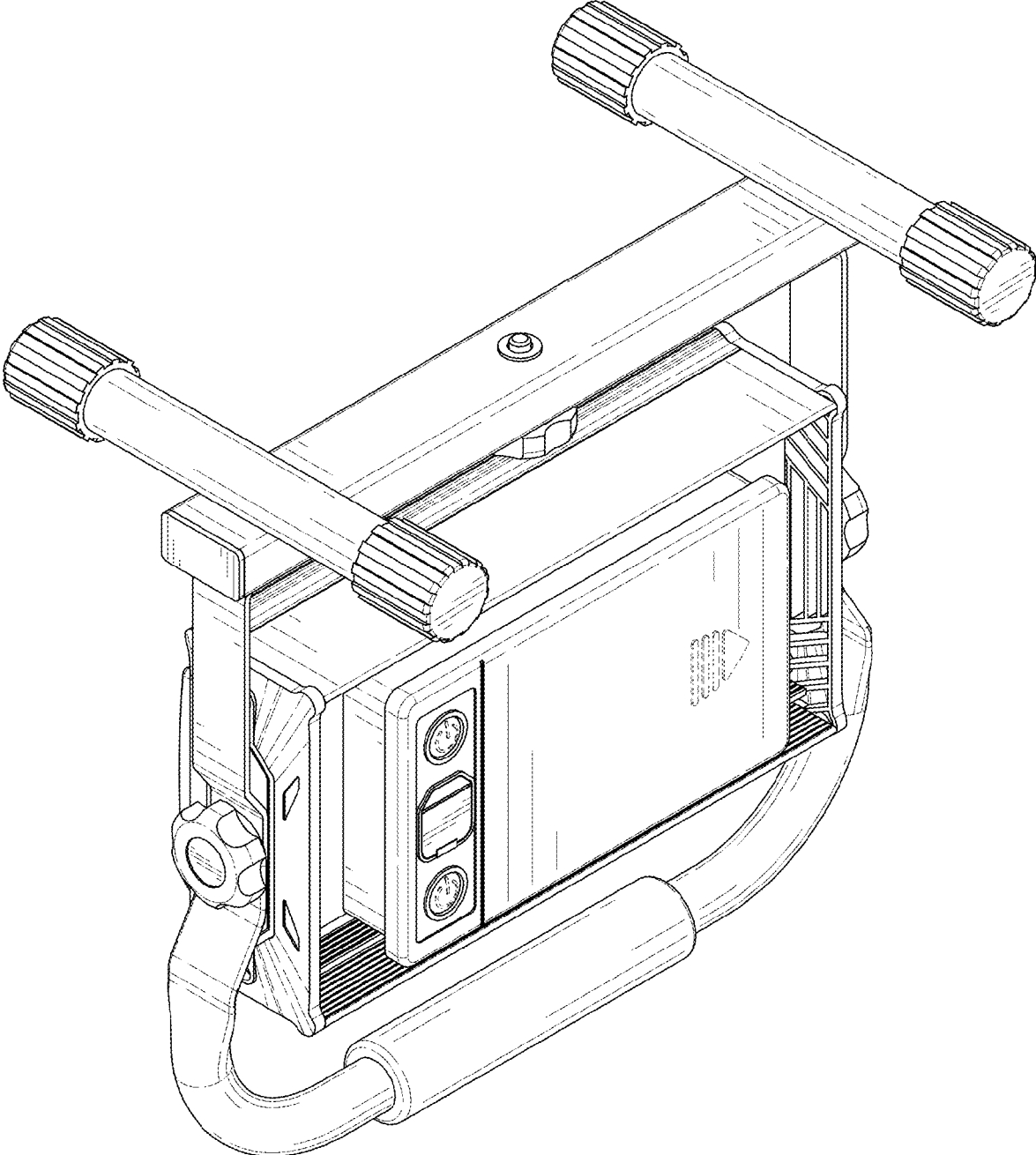


FIG. 2

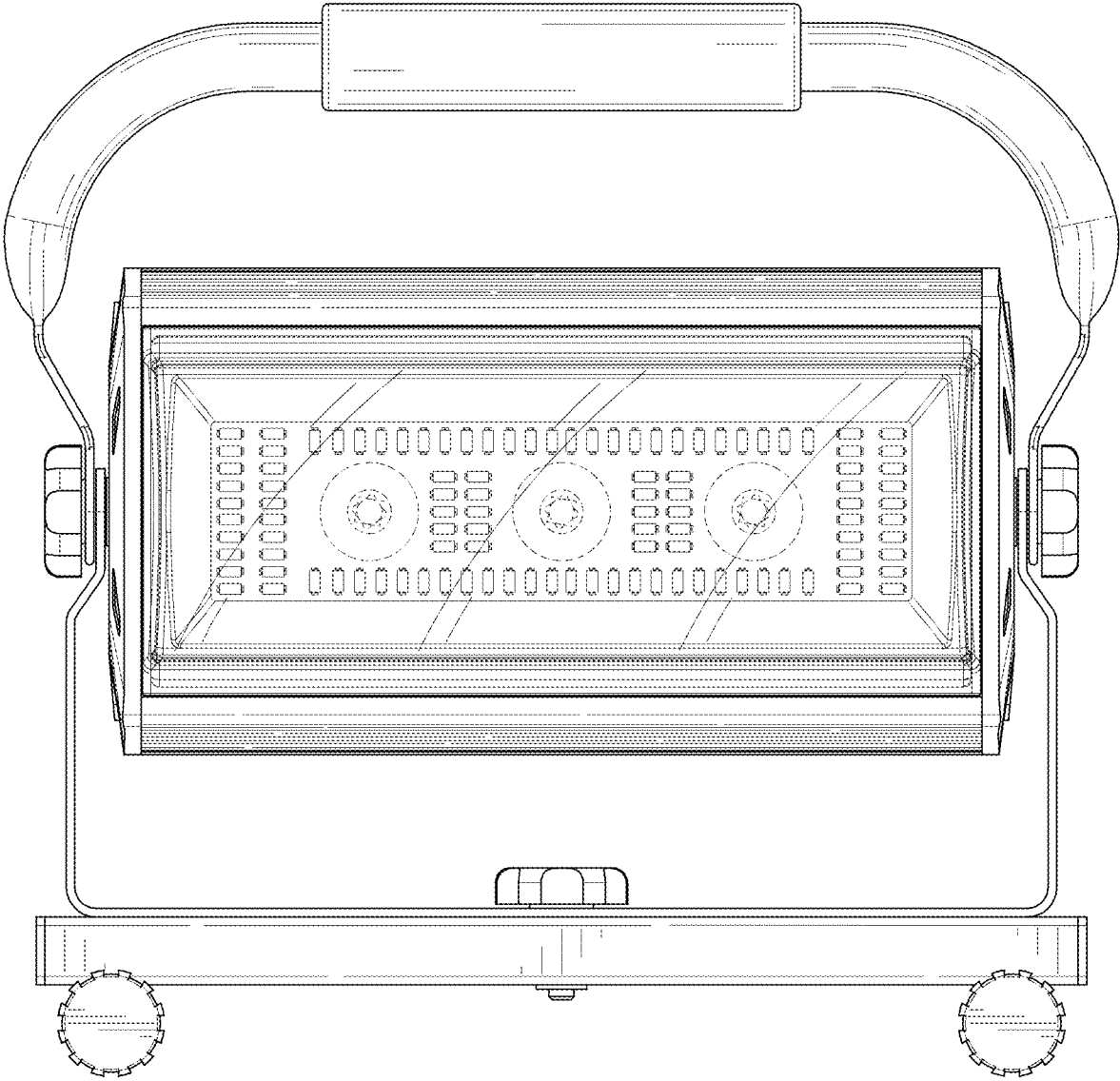


FIG. 3

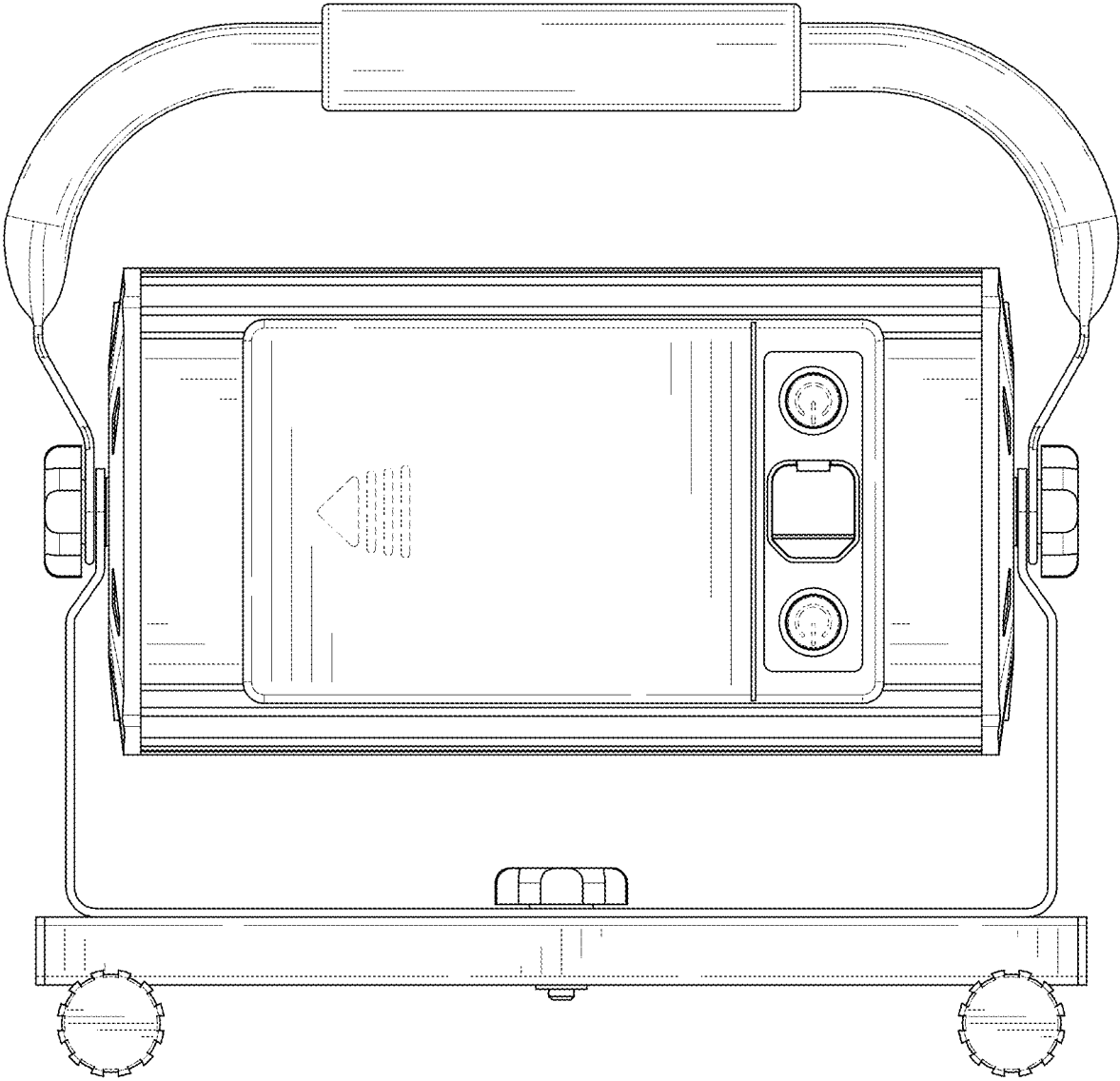


FIG. 4

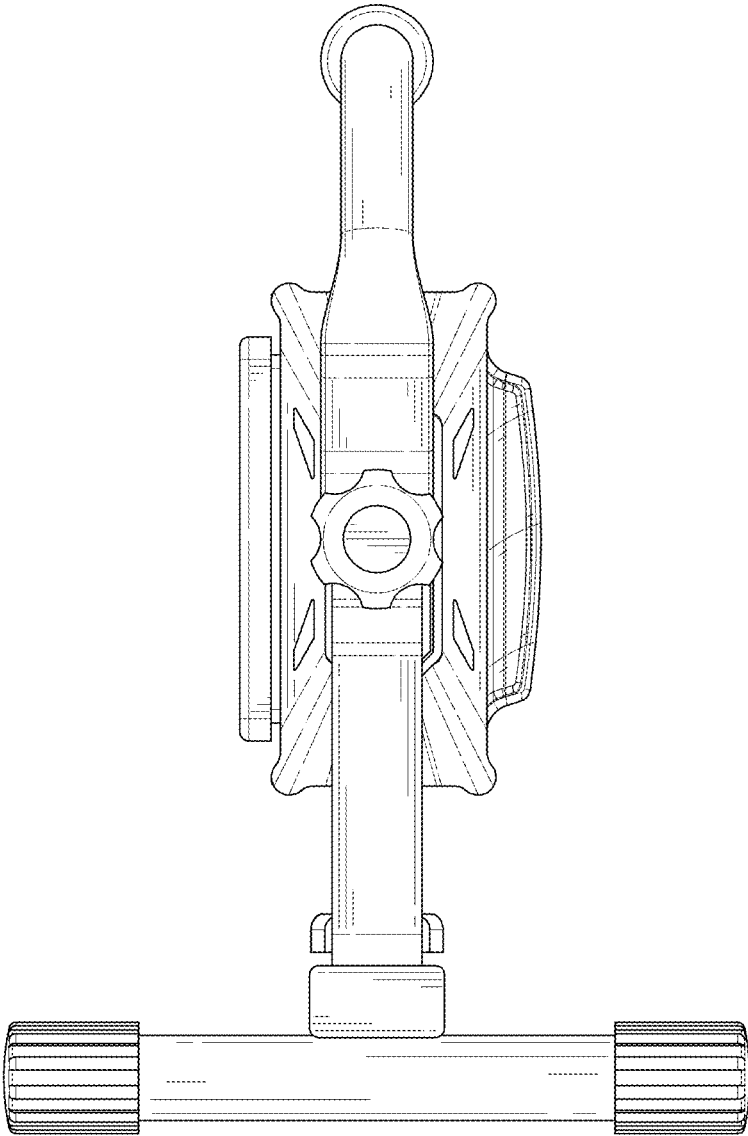


FIG. 5

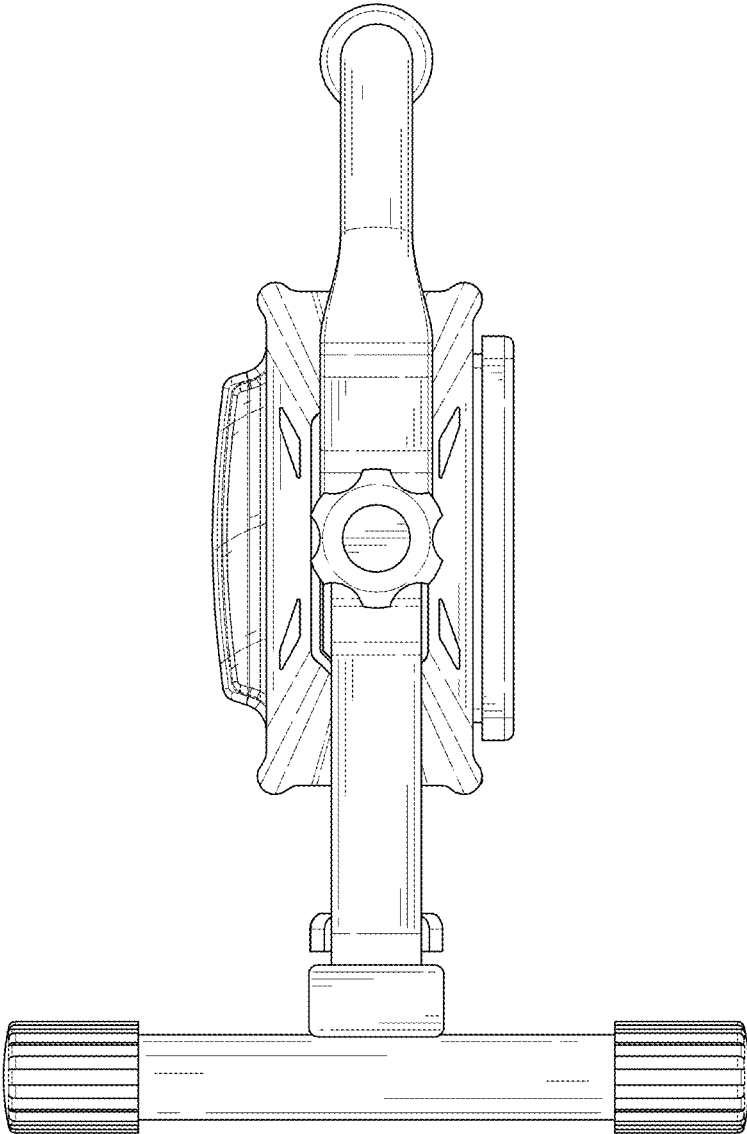


FIG. 6

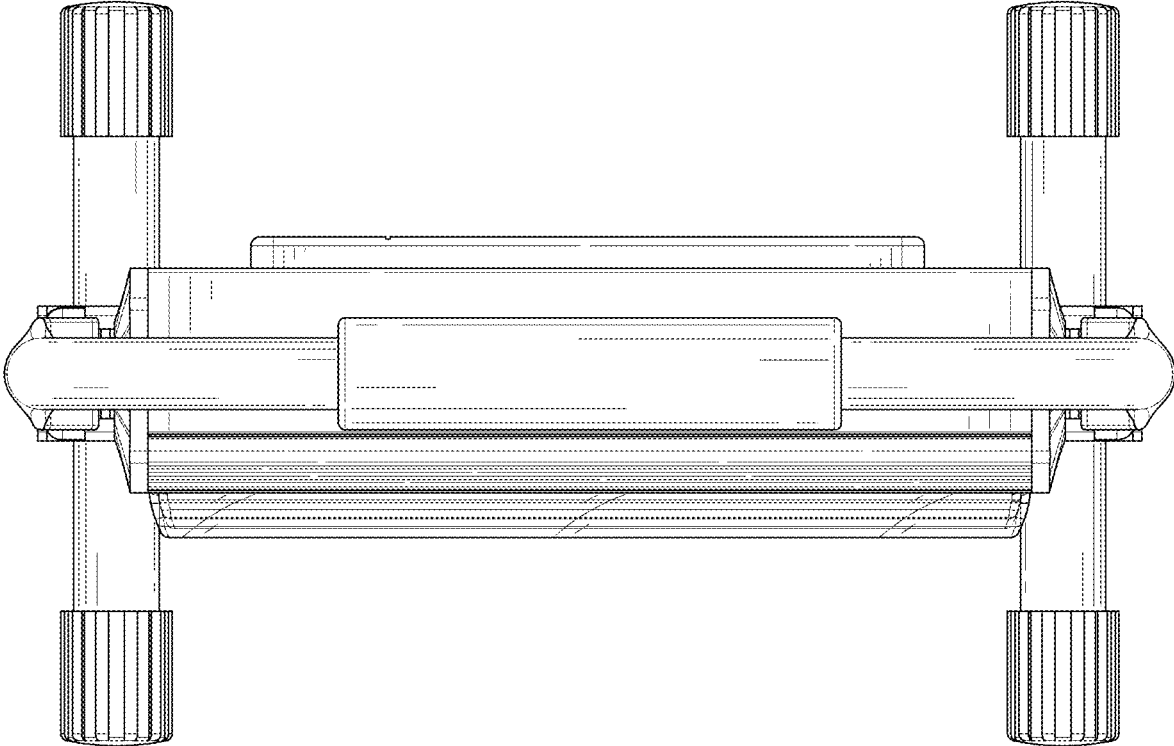


FIG. 7

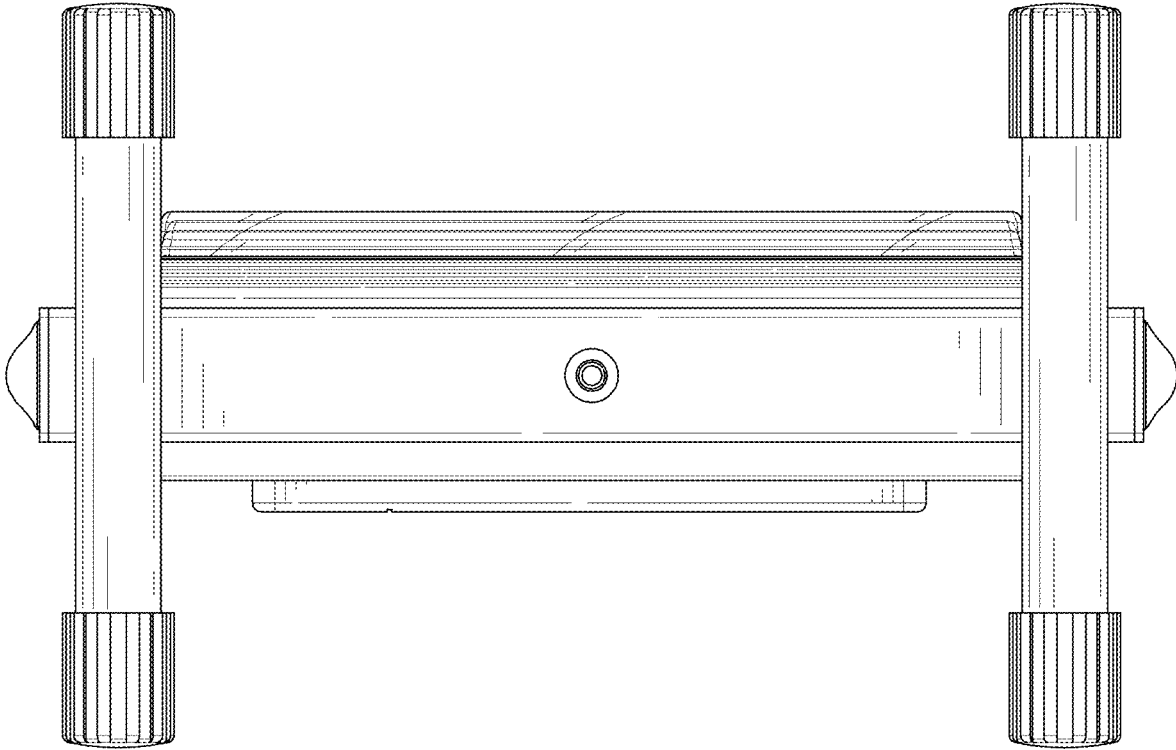


FIG. 8