

(19) World Intellectual Property Organization
International Bureau



(43) International Publication Date
9 January 2003 (09.01.2003)

PCT

(10) International Publication Number
WO 03/002022 A3

(51) International Patent Classification⁷: **A61B 17/56**

(21) International Application Number: PCT/US02/16505

(22) International Filing Date: 24 May 2002 (24.05.2002)

(25) Filing Language: English

(26) Publication Language: English

(30) Priority Data:
60/301,309 27 June 2001 (27.06.2001) US

(71) Applicant (for all designated States except US): **DEPUY PRODUCTS, INC.** [US/US]; 700 Orthopaedic Drive, Warsaw, IN 46581 (US).

(72) Inventors; and

(75) Inventors/Applicants (for US only): **GUZMAN, Pamela, C.** [US/US]; 6418 Beaver Creek Court, Fort Wayne, IN 46814 (US). **WACK, Michael, A.** [US/US]; 1604 South Woodfield Trail, Warsaw, IN 46580 (US). **SCHULZE, Dale, R.** [US/US]; 226 South Mechanic Street, Lebanon, OH 45036 (US). **KNIGHT, Gary, W.** [US/US]; 8264 Meadowlark Drive, West Chester, OH 45069 (US). **HESS, Christopher, J.** [US/US]; 958 Whispering Pine Way, Lebanon, OH 45036 (US). **NOBIS, Rudolph, H.** [US/US]; 4594 Atrium Court, Mason, OH 45040

(US). **CLEM, Michael, F.** [US/US]; 1262 Avalon Drive, Maineville, OH 45039 (US). **KOLATA, Ronald, J.** [US/US]; 11316 Gideon Lane, Cincinnati, OH 45249 (US).

(74) Agent: **COFFEY, William, R.**; Barnes & Thornburg, 11 South Meridian Street, Indianapolis, IN 46204 (US).

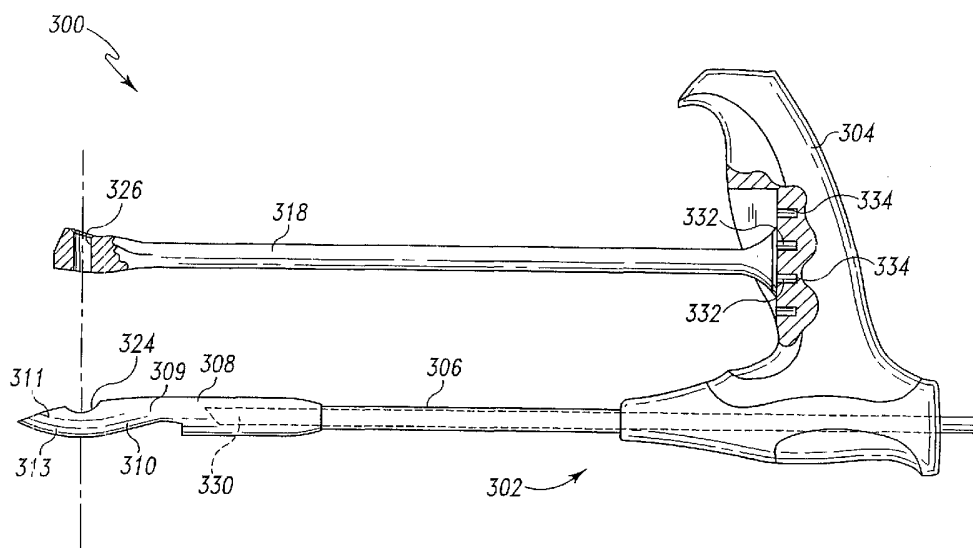
(81) Designated States (national): AE, AG, AL, AM, AT, AU, AZ, BA, BB, BG, BR, BY, BZ, CA, CH, CN, CO, CR, CU, CZ, DE, DK, DM, DZ, EC, EE, ES, FI, GB, GD, GE, GH, GM, HR, HU, ID, IL, IN, IS, JP, KE, KG, KP, KR, KZ, LC, LK, LR, LS, LT, LU, LV, MA, MD, MG, MK, MN, MW, MX, MZ, NO, NZ, OM, PH, PL, PT, RO, RU, SD, SE, SG, SI, SK, SL, TJ, TM, TN, TR, TT, TZ, UA, UG, US, UZ, VN, YU, ZA, ZM, ZW.

(84) Designated States (regional): ARIPO patent (GH, GM, KE, LS, MW, MZ, SD, SL, SZ, TZ, UG, ZM, ZW), Eurasian patent (AM, AZ, BY, KG, KZ, MD, RU, TJ, TM), European patent (AT, BE, CH, CY, DE, DK, ES, FI, FR, GB, GR, IE, IT, LU, MC, NL, PT, SE, TR), OAPI patent (BF, BJ, CF, CG, CI, CM, GA, GN, GQ, GW, ML, MR, NE, SN, TD, TG).

Published:
— with international search report

[Continued on next page]

(54) Title: MINIMALLY INVASIVE ORTHOPAEDIC APPARATUS AND METHODS



(57) Abstract: Apparatus (300, 302) and methods for use in the performance of minimally invasive orthopaedic procedures, including apparatus and methods for use in the performance of such procedures under the visualization of an endoscope (22), are herein disclosed. Such procedures include a minimally invasive intramedullary nailing procedure, a minimally invasive bone graft harvesting procedure, a minimally invasive pelvic osteotomy procedure, an orthopaedic implant revision procedure, and a minimally invasive percutaneous bone plating procedure.



WO 03/002022 A3



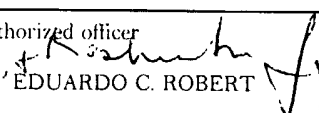
(88) Date of publication of the international search report:

11 December 2003

For two-letter codes and other abbreviations, refer to the "Guidance Notes on Codes and Abbreviations" appearing at the beginning of each regular issue of the PCT Gazette.

INTERNATIONAL SEARCH REPORT

International application No.
PCT/US02/16505

A. CLASSIFICATION OF SUBJECT MATTER		
IPC(7) : A61B 17/56 US CL : 606/62 According to International Patent Classification (IPC) or to both national classification and IPC		
B. FIELDS SEARCHED		
Minimum documentation searched (classification system followed by classification symbols) U.S. : 606/62,87,88,89,90,105,99; 623/11.11,16.11,919,908		
Documentation searched other than minimum documentation to the extent that such documents are included in the fields searched		
Electronic data base consulted during the international search (name of data base and, where practicable, search terms used) Please See Extra Sheet.		
C. DOCUMENTS CONSIDERED TO BE RELEVANT		
Category*	Citation of document, with indication, where appropriate, of the relevant passages	Relevant to claim No.
X	US 6,033,407 A (BEHRENS) 07 March 2000, see whole document.	1-7
X	US 6,248,110 B1 (REILEY et al) 19 June 2001, see whole document.	8-13
X	US 6,071,284 A (FOX) 06 June 2000, see whole document.	8-13
X	US 6,139,509 A (YUAN et al) 31 October 2000, see whole document.	8-18
X	US 5,759,185 A (GRINBERG) 02 June 1998, see whole document.	19-24
X	US 6,042,538 A (PUSKAS) 28 March 2000, see whole document.	25-28
<input checked="" type="checkbox"/> Further documents are listed in the continuation of Box C. <input type="checkbox"/> See patent family annex.		
* Special categories of cited documents:	"I"	later document published after the international filing date or priority date and not in conflict with the application but cited to understand the principle or theory underlying the invention
"A" document defining the general state of the art which is not considered to be of particular relevance	"X"	document of particular relevance; the claimed invention cannot be considered novel or cannot be considered to involve an inventive step when the document is taken alone
"E" earlier document published on or after the international filing date	"Y"	document of particular relevance; the claimed invention cannot be considered to involve an inventive step when the document is combined with one or more other such documents, such combination being obvious to a person skilled in the art
"L" document which may throw doubts on priority claim(s) or which is cited to establish the publication date of another citation or other special reason (as specified)	"&"	document member of the same patent family
"O" document referring to an oral disclosure, use, exhibition or other means		
"P" document published prior to the international filing date but later than the priority date claimed		
Date of the actual completion of the international search 24 SEPTEMBER 2002	Date of mailing of the international search report 07 MAR 2003	
Name and mailing address of the ISA/US Commissioner of Patents and Trademarks Box PCT Washington, D.C. 20231 Facsimile No. (703) 305-3230	Authorized officer  EDUARDO C. ROBERT Telephone No. (703) 305-7333	

INTERNATIONAL SEARCH REPORT

International application No.
PCT/US02/16505

C (Continuation). DOCUMENTS CONSIDERED TO BE RELEVANT

Category*	Citation of document, with indication, where appropriate, of the relevant passages	Relevant to claim No.
X	US 5,334,194 A (MIKHAIL) 02 August 1994, see whole document.	29-35
X	US 5,957,927 A (MAGEE et al) 28 September 1999, see whole document.	49-52
A	US 6,183,477 A (PEPPER) 06 February 2001, see whole document.	49-52
A	US 5,904,685 A (WALAWALKAR) 18 MAY 1999, see whole document.	49-52

INTERNATIONAL SEARCH REPORT

International application No.
PCT/US02/16505

B. FIELDS SEARCHED

Electronic data bases consulted (Name of data base and where practicable terms used):

EAST

search terms: intramedullary nail, trocar, bone harvesting, pelvic osteotomy, orthopaedic revision, endoscope, tissue expander, screw alignment jig