

(19) World Intellectual Property Organization
International Bureau



(43) International Publication Date
15 November 2007 (15.11.2007)

PCT

(10) International Publication Number
WO 2007/131216 A3

- (51) International Patent Classification:
G02B 15/00 (2006.01)
- (21) International Application Number:
PCT/US2007/068312
- (22) International Filing Date: 5 May 2007 (05.05.2007)
- (25) Filing Language: English
- (26) Publication Language: English
- (30) Priority Data:
11/429,034 5 May 2006 (05.05.2006) US
- (71) Applicants (for all designated States except US):
STEREO DISPLAY, INC. [US/US]; Suite F, 980 East Orangethorpe Avenue, Anaheim, California 92801 (US).
ANGSTROM, INC. [KR/KR]; 128-1 Maesanro 3-ga, Paldal-gu, Suwon, Gyeonggi-do 442-852 (KR).
- (72) Inventors; and
- (75) Inventors/Applicants (for US only): **KIM, Hye Young** [KR/KR]; Buyoung 3cha Apt. 305-105, 642 Wol-lak-dong, Namwon-si, Jeonbuk 590-761 (KR). **SOHN, Jin Young** [KR/US]; 2750 Associated Road #D78, Fullerton, California 92835 (US). **CHO, Gyoung Il** [KR/KR]; Whauntbil 310-1002, 106 Gonglung-dong, Nowon-gu, Seoul 139-240 (KR). **BAEK, Sang Hyune** [KR/KR]; 73-1 Godeung-dong, Paldal-gu, Suwon 442-880 (KR). **SEO, Cheong Soo** [KR/KR]; Parkview 602-2406, 6 Jeongja-dong, Bundang-gu, Seongnam 463-863 (KR).
- (74) Common Representative: **STEREO DISPLAY, INC.**;
Suite F, 980 East Orangethorpe Avenue, Anaheim, California 92801 (US).
- (81) Designated States (unless otherwise indicated, for every kind of national protection available): AE, AG, AL, AM, AT, AU, AZ, BA, BB, BG, BH, BR, BW, BY, BZ, CA, CH, CN, CO, CR, CU, CZ, DE, DK, DM, DZ, EC, EE, EG, ES, FI, GB, GD, GE, GH, GM, GT, HN, HR, HU, ID, IL, IN, IS, JP, KE, KG, KM, KN, KP, KR, KZ, LA, LC, LK, LR, LS, LT, LU, LY, MA, MD, MG, MK, MN, MW, MX, MY, MZ, NA, NG, NI, NO, NZ, OM, PG, PH, PL, PT, RO, RS, RU, SC, SD, SE, SG, SK, SL, SM, SV, SY, TJ, TM, TN, TR, TT, TZ, UA, UG, US, UZ, VC, VN, ZA, ZM, ZW.
- (84) Designated States (unless otherwise indicated, for every kind of regional protection available): ARIPO (BW, GH, GM, KE, LS, MW, MZ, NA, SD, SL, SZ, TZ, UG, ZM, ZW), Eurasian (AM, AZ, BY, KG, KZ, MD, RU, TJ, TM), European (AT, BE, BG, CH, CY, CZ, DE, DK, EE, ES, FI, FR, GB, GR, HU, IE, IS, IT, LT, LU, LV, MC, MT, NL, PL, PT, RO, SE, SI, SK, TR), OAPI (BF, BJ, CF, CG, CI, CM, GA, GN, GQ, GW, ML, MR, NE, SN, TD, TG).

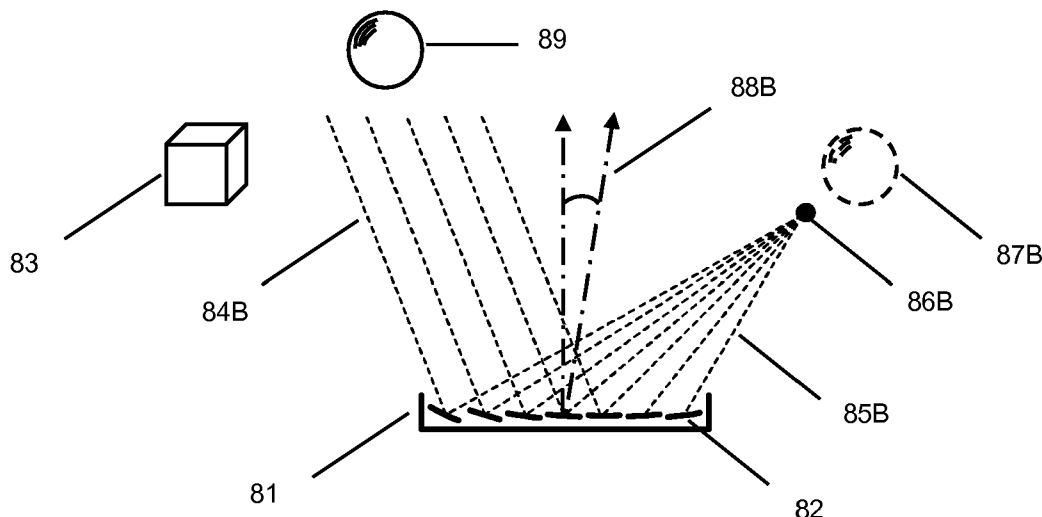
Published:

- with international search report
- before the expiration of the time limit for amending the claims and to be republished in the event of receipt of amendments

(88) Date of publication of the international search report:
27 December 2007

[Continued on next page]

(54) Title: SMALL AND FAST ZOOM SYSTEM USING MICROMIRROR ARRAY LENS



(57) Abstract: The present invention provides a small and fast zoom system using micromirror array lens (MMAL). Thanks to the fast response and compactness of the MMAL as well as absence of the macroscopic mechanical movements of lenses, the zoom system of the present invention fastens the speed of the zooming and reduces the space and weight for the zoom system. Also the present invention provides magnifying the area not on the optical axis and can compensate the aberration of the zoom system.

WO 2007/131216 A3



For two-letter codes and other abbreviations, refer to the "Guidance Notes on Codes and Abbreviations" appearing at the beginning of each regular issue of the PCT Gazette.

INTERNATIONAL SEARCH REPORT

International application No.

PCT/US07/68312

A. CLASSIFICATION OF SUBJECT MATTER
 IPC: **G02B 15/00** (2006.01)

USPC: 359/683,676
 According to International Patent Classification (IPC) or to both national classification and IPC

B. FIELDS SEARCHED

Minimum documentation searched (classification system followed by classification symbols)
 U.S. : 359/676-708

Documentation searched other than minimum documentation to the extent that such documents are included in the fields searched

Electronic data base consulted during the international search (name of data base and, where practicable, search terms used)

C. DOCUMENTS CONSIDERED TO BE RELEVANT

Category *	Citation of document, with indication, where appropriate, of the relevant passages	Relevant to claim No.
Y	US 4,407,567 (MICHELET et al) 04 October 1983 (04.10.1983), column 1, lines 6-9, Figure 7, elements L2 and I3.	1 and 32
Y	BOYD et al, Fast-response Variable Focusing Micromirror Array Lens proceedings of SPIE, March 2003, Vol 5055, pages 278-288, especially (Figure 3, Abstract and Section 2.1).	1 and 32

Further documents are listed in the continuation of Box C.

See patent family annex.

* Special categories of cited documents:	
"A" document defining the general state of the art which is not considered to be of particular relevance	"T" later document published after the international filing date or priority date and not in conflict with the application but cited to understand the principle or theory underlying the invention
"E" earlier application or patent published on or after the international filing date	"X" document of particular relevance; the claimed invention cannot be considered novel or cannot be considered to involve an inventive step when the document is taken alone
"L" document which may throw doubts on priority claim(s) or which is cited to establish the publication date of another citation or other special reason (as specified)	"Y" document of particular relevance; the claimed invention cannot be considered to involve an inventive step when the document is combined with one or more other such documents, such combination being obvious to a person skilled in the art
"O" document referring to an oral disclosure, use, exhibition or other means	"&" document member of the same patent family
"P" document published prior to the international filing date but later than the priority date claimed	

Date of the actual completion of the international search 23 October 2007 (23.10.2007)	Date of mailing of the international search report 29 OCT 2007
Name and mailing address of the ISA/US Mail Stop PCT, Attn: ISA/US Commissioner for Patents P.O. Box 1450 Alexandria, Virginia 22313-1450 Facsimile No. (571) 273-3201	Authorized officer Darryl J. Collins <i>Darryl J. Collins</i> Telephone No. 571-272-2325