



US00D771993S

(12) **United States Design Patent**
Cai et al.

(10) **Patent No.:** **US D771,993 S**

(45) **Date of Patent:** **** Nov. 22, 2016**

(54) **COFFEE MACHINE FOR BREWING
COFFEE, ESPRESSO, TEA OR THE LIKE**

(71) Applicants: **Edward Cai**, Camas, WA (US); **Army
Tan**, Shaoyang (CN)

(72) Inventors: **Edward Cai**, Camas, WA (US); **Army
Tan**, Shaoyang (CN)

(73) Assignee: **United Home Technologies LLC**,
Vancouver, WA (US)

(**) Term: **14 Years**

(21) Appl. No.: **29/474,873**

(22) Filed: **Mar. 4, 2015**

(51) **LOC (10) Cl.** **07-01**

(52) **U.S. Cl.**

USPC **D7/309; D7/311**

(58) **Field of Classification Search**

USPC D7/306-311, 313, 312, 305; 99/279,
99/290, 282; D23/207

CPC A47J 31/4403; A47J 31/44; A47J 31/56;
A47J 31/4482; F16M 1/00; B67D 3/0022;
B67D 3/0009

See application file for complete search history.

(56) **References Cited**

U.S. PATENT DOCUMENTS

D229,897 S *	1/1974	Martin	D7/309
D267,325 S *	12/1982	Zimmerman	D7/309
5,840,189 A	11/1998	Sylvan		
D446,989 S *	8/2001	Cruz	D7/309
D452,433 S	12/2001	Lazaris		

D452,434 S	12/2001	Sweeney		
D474,110 S	5/2003	Sweeney		
6,645,537 B2	11/2003	Sweeney		
D489,936 S *	5/2004	Smith	D7/379
D501,750 S *	2/2005	DeMore	D7/309
D502,362 S	3/2005	Lazaris		
D519,774 S *	5/2006	Hansen	D7/306
D530,560 S *	10/2006	Lin	D7/309
D550,499 S *	9/2007	Argabrite	D7/309
D647,398 S	10/2011	Winkler		
D721,531 S *	1/2015	Krasne	D7/309
D739,677 S *	9/2015	Du	D7/309
D742,680 S *	11/2015	Burrows	D7/309
D755,556 S *	5/2016	Bandixen	D7/306
D757,478 S *	5/2016	Bandixen	D7/306
2006/0283330 A1 *	12/2006	Lin	A47J 31/4482 99/279
2013/0017303 A1	1/2013	Vu		

* cited by examiner

Primary Examiner — Marianne Pandozzi

(57) **CLAIM**

The ornamental design for a coffee machine for brewing coffee, espresso, tea or the like, as shown and described.

DESCRIPTION

FIG. 1 is a top, front, right side view of a coffee machine for making coffee, espresso, tea, or the like showing our new design;

FIG. 2 is a front view thereof;

FIG. 3 is a rear view thereof;

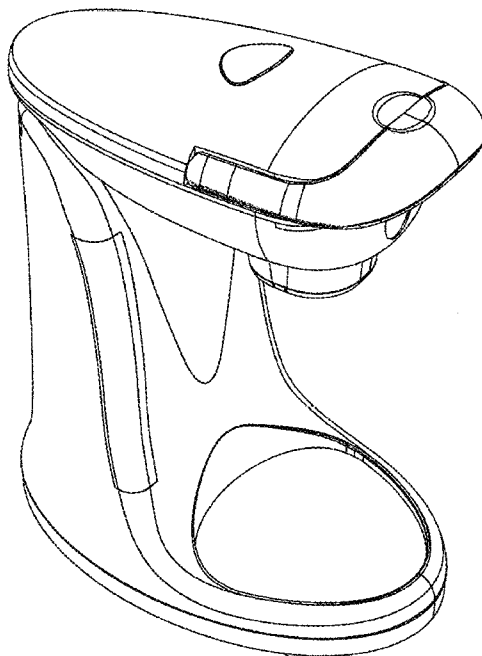
FIG. 4 is a right side view thereof;

FIG. 5 is a left side view thereof;

FIG. 6 is a top plan view thereof; and,

FIG. 7 is a bottom plan view thereof.

1 Claim, 4 Drawing Sheets



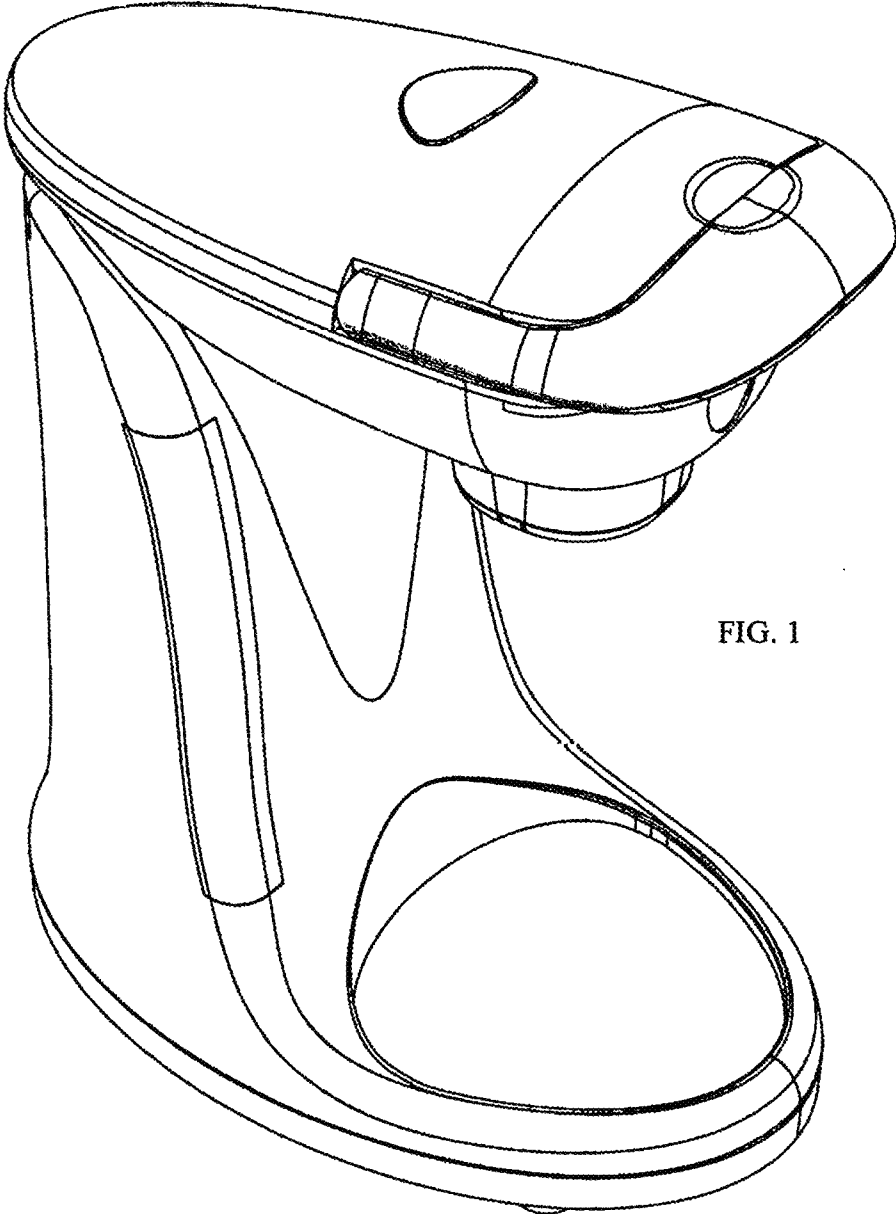


FIG. 1

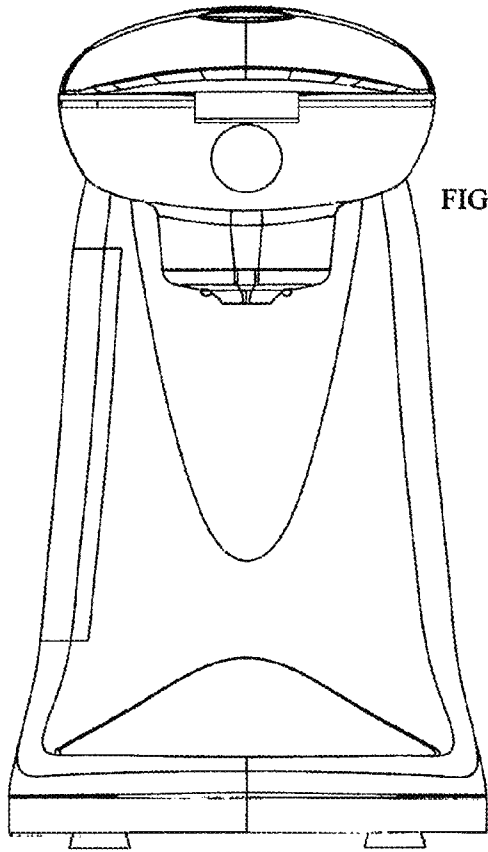


FIG. 2

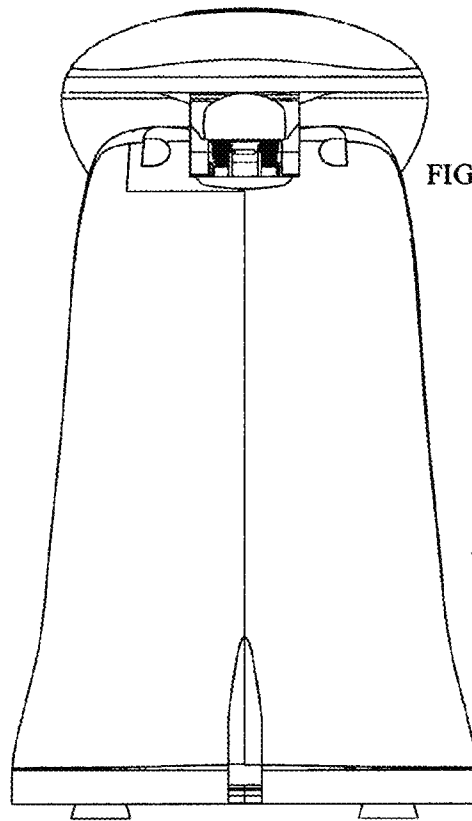
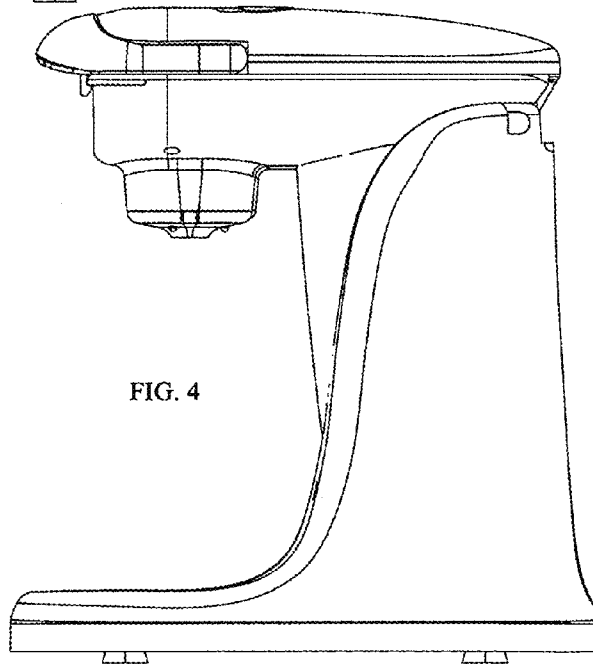
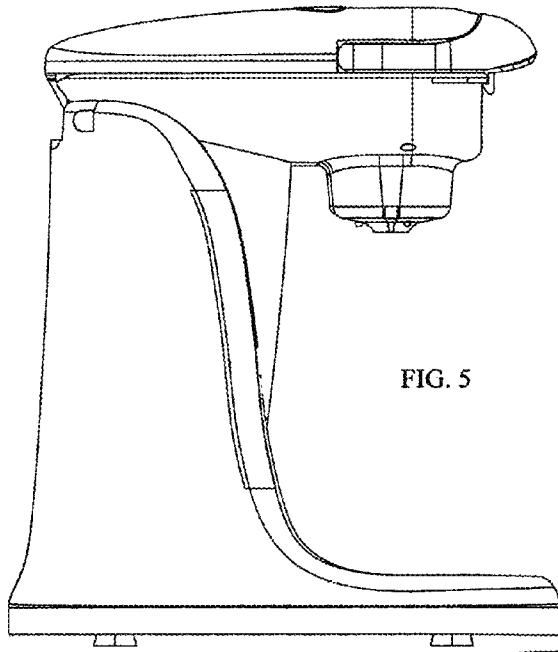


FIG. 3



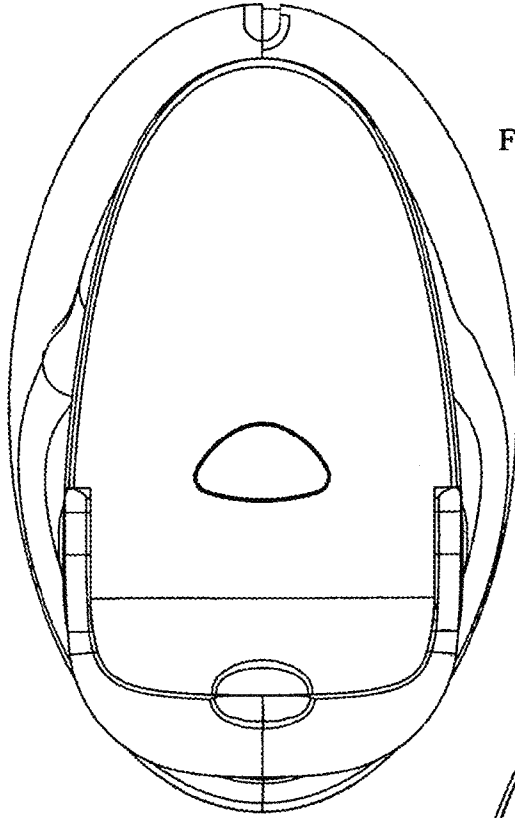


FIG. 6

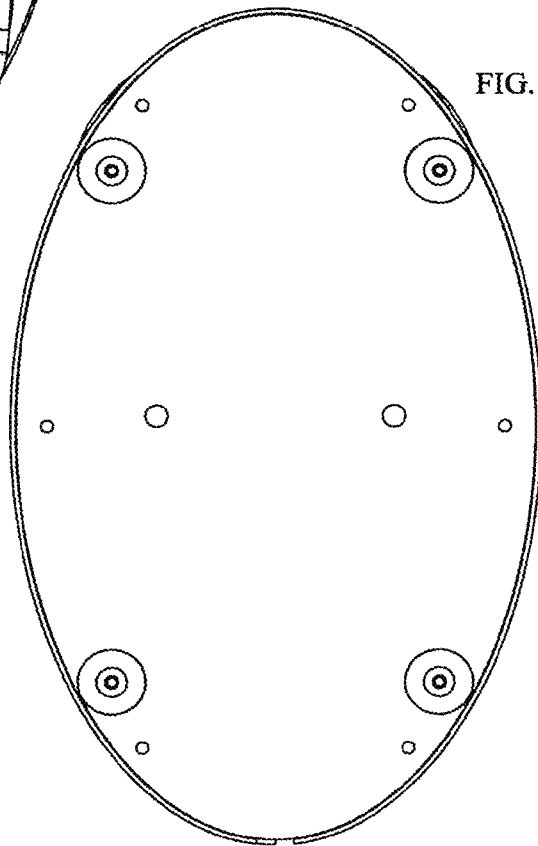


FIG. 7