

(19) World Intellectual Property Organization
International Bureau



(43) International Publication Date
4 January 2001 (04.01.2001)

PCT

(10) International Publication Number
WO 01/00509 A3

(51) International Patent Classification⁷: B65D 88/72, 88/12, 90/04, 88/60, 88/62, B65G 65/46, B65D 88/56, 88/54

(21) International Application Number: PCT/SG00/00084

(22) International Filing Date: 9 June 2000 (09.06.2000)

(25) Filing Language: English

(26) Publication Language: English

(30) Priority Data:
9903334-2 29 June 1999 (29.06.1999) SG

(71) Applicants and

(72) Inventors: GOH, Eng, Hock [SG/SG]; 21 Murai Farmway, Singapore 709144 (SG). GOH, Eng, Soon [SG/SG]; Blk 401 #25-02, Pandan Gardens, Singapore 600401 (SG).

(74) Agents: KANG, Alban et al.; Alban Tay Mahtani & De Silva, 39 Robinson Road, #07-01, Robinson Point, Singapore 068911 (SG).

(81) Designated States (*national*): AE, AL, AM, AT, AU, AZ, BA, BB, BG, BR, BY, CA, CH, CN, CR, CU, CZ, DE, DK, DM, EE, ES, FI, GB, GD, GE, GH, GM, HR, HU, ID, IL, IN, IS, JP, KE, KG, KP, KR, KZ, LC, LK, LR, LS, LT, LU, LV, MA, MD, MG, MK, MN, MW, MX, NO, NZ, PL, PT, RO, RU, SD, SE, SG, SI, SK, SL, TJ, TM, TR, TT, TZ, UA, UG, US, UZ, VN, YU, ZA, ZW.

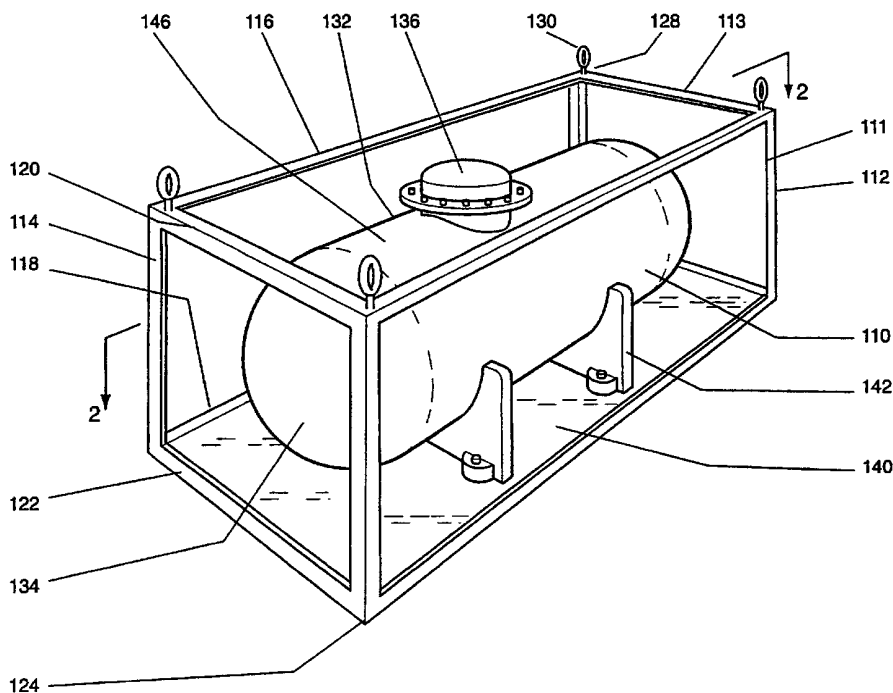
(84) Designated States (*regional*): ARIPO patent (GH, GM, KE, LS, MW, MZ, SD, SL, SZ, TZ, UG, ZW), Eurasian patent (AM, AZ, BY, KG, KZ, MD, RU, TJ, TM), European patent (AT, BE, CH, CY, DE, DK, ES, FI, FR, GB, GR, IE, IT, LU, MC, NL, PT, SE), OAPI patent (BF, BJ, CF, CG, CI, CM, GA, GN, GW, ML, MR, NE, SN, TD, TG).

Published:
— With international search report.

(88) Date of publication of the international search report:
17 May 2001

[Continued on next page]

(54) Title: MULTIPLE USE STORAGE AND TRANSPORT CONTAINER



(57) Abstract: A storage and transport container having a tank the tank having an interior which is capable of being cleaned to enable the tank to be used for different materials, the tank including a top and a bottom, at least one inlet in the top and at least one outlet in the bottom; the tank also having a discharge means mountable to the tank to enable substantially complete discharge from the tank of all material in the tank.



WO 01/00509 A3



For two-letter codes and other abbreviations, refer to the "Guidance Notes on Codes and Abbreviations" appearing at the beginning of each regular issue of the PCT Gazette.

INTERNATIONAL SEARCH REPORT

International Application No PCT/SG 00/00084

A. CLASSIFICATION OF SUBJECT MATTER
IPC 7 B65D88/72 B65D88/12 B65D90/04 B65D88/60 B65D88/62 B65G65/46 B65D88/56 B65D88/54
According to International Patent Classification (IPC) or to both national classification and IPC

B. FIELDS SEARCHED

Minimum documentation searched (classification system followed by classification symbols) IPC 7 B65D B65G
--

Documentation searched other than minimum documentation to the extent that such documents are included in the fields searched

Electronic data base consulted during the international search (name of data base and, where practical, search terms used) EPO-Internal
--

C. DOCUMENTS CONSIDERED TO BE RELEVANT

Category °	Citation of document, with indication, where appropriate, of the relevant passages	Relevant to claim No.
X	EP 0 657 368 A (AMERICAN CYANAMID CO) 14 June 1995 (1995-06-14) column 1, line 20 - line 32 column 7, line 51 - column 8, line 11 column 8, line 58 - column 9, line 17; figures	1,2
A	--- GB 2 108 475 A (CARLSON HARRY) 18 May 1983 (1983-05-18) page 1, line 50 - line 54 -----	1

<input type="checkbox"/> Further documents are listed in the continuation of box C.	<input checked="" type="checkbox"/> Patent family members are listed in annex.
---	--

° Special categories of cited documents : "A" document defining the general state of the art which is not considered to be of particular relevance "E" earlier document but published on or after the international filing date "L" document which may throw doubts on priority claim(s) or which is cited to establish the publication date of another citation or other special reason (as specified) "O" document referring to an oral disclosure, use, exhibition or other means "P" document published prior to the international filing date but later than the priority date claimed	"T" later document published after the international filing date or priority date and not in conflict with the application but cited to understand the principle or theory underlying the invention "X" document of particular relevance; the claimed invention cannot be considered novel or cannot be considered to involve an inventive step when the document is taken alone "Y" document of particular relevance; the claimed invention cannot be considered to involve an inventive step when the document is combined with one or more other such documents, such combination being obvious to a person skilled in the art. "&" document member of the same patent family
--	---

Date of the actual completion of the international search 26 September 2000	Date of mailing of the international search report 27.12.2000
--	--

Name and mailing address of the ISA European Patent Office, P.B. 5818 Patentlaan 2 NL - 2280 HV Rijswijk Tel. (+31-70) 340-2040, Tx. 31 651 epo nl, Fax: (+31-70) 340-3016	Authorized officer ZANGHI, A
--	-------------------------------------

INTERNATIONAL SEARCH REPORT

International application No.
PCT/SG 00/00084

Box I Observations where certain claims were found unsearchable (Continuation of item 1 of first sheet)

This International Search Report has not been established in respect of certain claims under Article 17(2)(a) for the following reasons:

1. Claims Nos.:
because they relate to subject matter not required to be searched by this Authority, namely:

2. Claims Nos.:
because they relate to parts of the International Application that do not comply with the prescribed requirements to such an extent that no meaningful International Search can be carried out, specifically:

3. Claims Nos.:
because they are dependent claims and are not drafted in accordance with the second and third sentences of Rule 6.4(a).

Box II Observations where unity of invention is lacking (Continuation of item 2 of first sheet)

This International Searching Authority found multiple inventions in this international application, as follows:

see additional sheet

1. As all required additional search fees were timely paid by the applicant, this International Search Report covers all searchable claims.
2. As all searchable claims could be searched without effort justifying an additional fee, this Authority did not invite payment of any additional fee.
3. As only some of the required additional search fees were timely paid by the applicant, this International Search Report covers only those claims for which fees were paid, specifically claims Nos.:
4. No required additional search fees were timely paid by the applicant. Consequently, this International Search Report is restricted to the invention first mentioned in the claims; it is covered by claims Nos.:

1-3, 72,82

Remark on Protest

- The additional search fees were accompanied by the applicant's protest.
- No protest accompanied the payment of additional search fees.

FURTHER INFORMATION CONTINUED FROM PCT/ISA/ 210

This International Searching Authority found multiple (groups of) inventions in this international application, as follows:

1. Claims: 1-3, 72 and 82

Stackable storage and transport container having a tank able to be used for different materials. The tank includes a cleanable interior, at least one inlet and one outlet. the tank being capable to use a plurality of discharge means enabling the complete discharge of the contained material. At least one discharge means is removably mountable inside the container.

2. Claims: 4,72 and 82

Stackable storage and transport container having a tank able to be used for different materials. The tank includes a cleanable interior, at least one inlet and one outlet. the tank being capable to use a plurality of discharge means enabling the complete discharge of the contained material. At least one discharge means causes multi-stage discharge.

3. Claims: 5, 72 and 82

Stackable storage and transport container having a tank able to be used for different materials. The tank includes a cleanable interior, at least one inlet and one outlet. the tank being capable to use a plurality of discharge means enabling the complete discharge of the contained material. At least one discharge means being able to vary the interior volume.

4. Claims: 6, 72 and 82

Stackable storage and transport container having a tank able to be used for different materials. The tank includes a cleanable interior, at least one inlet and one outlet. the tank being capable to use a plurality of discharge means enabling the complete discharge of the contained material. At least one discharge means enable the container to have an high volumetry efficiency.

5. Claims: 7-18,72 and 82

Stackable storage and transport container having a tank able to be used for different materials. The tank includes a cleanable interior, at least one inlet and one outlet. the tank being capable to use a plurality of discharge means enabling the complete discharge of the contained material. At least one discharge means includes one coveyor.

FURTHER INFORMATION CONTINUED FROM PCT/ISA/ 210

6. Claims: 19-37, 72 and 82

Stackable storage and transport container having a tank able to be used for different materials. The tank includes a cleanable interior, at least one inlet and one outlet. the tank being capable to use a plurality of discharge means enabling the complete discharge of the contained material. At least one discharge means includes a plurality of diaphragms.

7. Claims: 38-45,72 and 82

Stackable storage and transport container having a tank able to be used for different materials. The tank includes a cleanable interior, at least one inlet and one outlet. the tank being capable to use a plurality of discharge means enabling the complete discharge of the contained material. At least one discharge means includes at least one fluidization pad.

8. Claims: 46-48, 72 and 82

Stackable storage and transport container having a tank able to be used for different materials. The tank includes a cleanable interior, at least one inlet and one outlet. the tank being capable to use a plurality of discharge means enabling the complete discharge of the contained material. Wherein in compressed air is introduced in to the tank to assist the discharge.

9. Claims: 49-63, 72 and 82

Stackable storage and transport container having a tank able to be used for different materials. The tank includes a cleanable interior, at least one inlet and one outlet. the tank being capable to use a plurality of discharge means enabling the complete discharge of the contained material. Wherein the tank has a bottom the at least one outlet being in the bottom.

10. Claims: 64-82

Stackable storage and transport container having a tank able to be used for different materials. The tank includes a cleanable interior, at least one inlet and one outlet. the tank being capable to use a plurality of discharge means enabling the complete discharge of the contained material. Wherein the container has a peripheral frame in which the tank is mounted.

INTERNATIONAL SEARCH REPORT

Information on patent family members

International Application No

PCT/SG 00/00084

Patent document cited in search report	Publication date	Patent family member(s)	Publication date
EP 0657368 A	14-06-1995	US 5782381 A	21-07-1998
		DE 69419393 D	12-08-1999
		DE 69419393 T	04-11-1999
		DK 657368 T	19-07-1999
		ES 2133464 T	16-09-1999
		GR 3030724 T	30-11-1999

GB 2108475 A	18-05-1983	FI 823371 A	28-04-1983
