



US00D770263S

(12) **United States Design Patent**
Marsden

(10) **Patent No.:** **US D770,263 S**

(45) **Date of Patent:** **** Nov. 1, 2016**

- (54) **UNIVERSAL CABINET LOCK**
- (71) Applicant: **Andrew Marsden**, Hingham, MA (US)
- (72) Inventor: **Andrew Marsden**, Hingham, MA (US)
- (73) Assignee: **Elbee Pty Ltd.**, Bondi Junction (AU)

(**) Term: **15 Years**

(21) Appl. No.: **29/538,227**

(22) Filed: **Sep. 2, 2015**

(51) **LOC (10) Cl.** **08-07**

(52) **U.S. Cl.**

USPC **D8/339**; D8/343; D8/330

(58) **Field of Classification Search**

USPC D8/330, 331, 336, 339, 343, 349, 350,
 D8/354, 382, 400, 300, 301, 302; 70/14,
 70/51, 52, 57, 57.1, 67, 69, 78, 85, 86, 88,
 70/141, 262, 263, 431, 218, 221, 203;
 292/32, 358, 359, DIG. 68, DIG. 30,
 292/137, 106, 108, 336.3; 312/294, 333,
 312/334.1, 330.1, 351.1

CPC E05B 3/00; E05B 9/00; E05B 2009/004;
 E05B 47/00; E05B 55/00; E05B 15/00;
 E05C 7/00; E05C 19/08

See application file for complete search history.

(56) **References Cited**

U.S. PATENT DOCUMENTS

- 4,715,629 A * 12/1987 Robinson E05B 15/1607
292/256
- 5,088,158 A * 2/1992 Burkholder E05B 75/00
128/879
- 5,099,662 A * 3/1992 Tsai E05B 75/00
70/16
- 5,332,251 A * 7/1994 Farquhar B60D 1/60
280/507

- 5,794,461 A * 8/1998 Smith B65D 63/1072
292/318
- 6,935,146 B1 * 8/2005 Lin E05B 27/005
70/338
- 7,500,701 B2 * 3/2009 Lalancette F16B 5/0275
292/256
- 7,784,313 B2 * 8/2010 Wyers E05B 67/003
70/14
- 7,961,099 B2 * 6/2011 Rendon E05B 73/0017
215/201
- D686,054 S * 7/2013 Rohde D8/330
- D715,131 S * 10/2014 Song D8/331
- D720,203 S * 12/2014 Plato D8/330
- D725,458 S * 3/2015 Plato D8/330

* cited by examiner

Primary Examiner — Prabhakar Deshmukh
 (74) *Attorney, Agent, or Firm* — Wolf, Greenfield &
 Sacks, P.C.

(57) **CLAIM**

The ornamental design for a universal cabinet lock, as shown and described.

DESCRIPTION

FIG. 1 is a perspective view of a universal cabinet lock showing my new design;
 FIG. 2 is an exploded perspective view of FIG. 1;
 FIG. 3 is another alternate perspective view thereof;
 FIG. 4 is an exploded perspective view of FIG. 3;
 FIG. 5 is a top plan view thereof;
 FIG. 6 is an exploded top plan view of FIG. 5;
 FIG. 7 is a bottom plan view thereof;
 FIG. 8 is an exploded bottom plan view of FIG. 7;
 FIG. 9 is a right side elevational view thereof;
 FIG. 10 is an exploded right side elevational view of FIG. 9;
 FIG. 11 is a left side elevational view thereof;
 FIG. 12 is an exploded left side elevational view of FIG. 11;
 FIG. 13 is an enlarged front elevational view thereof; and,
 FIG. 14 is an enlarged rear elevational view thereof.

1 Claim, 14 Drawing Sheets

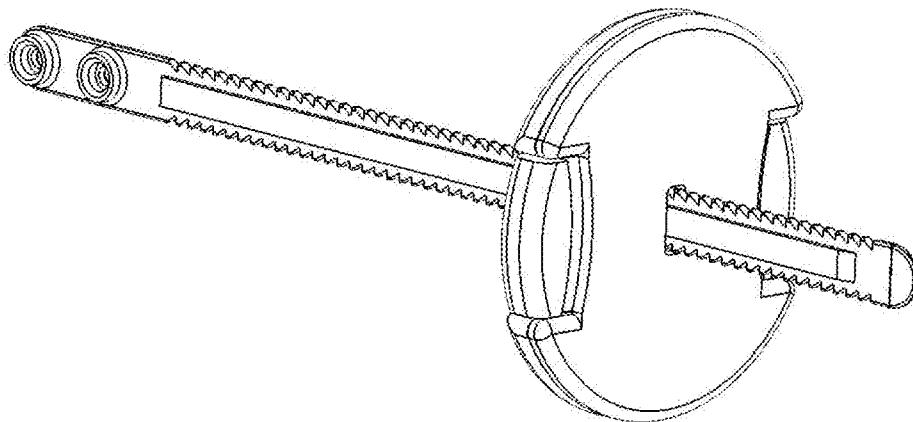


FIG. 1

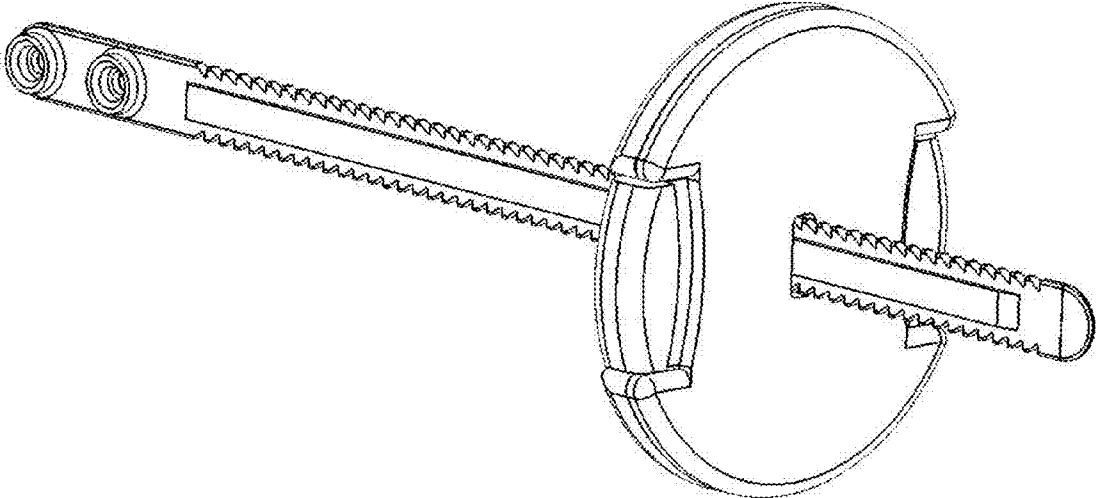


FIG. 2

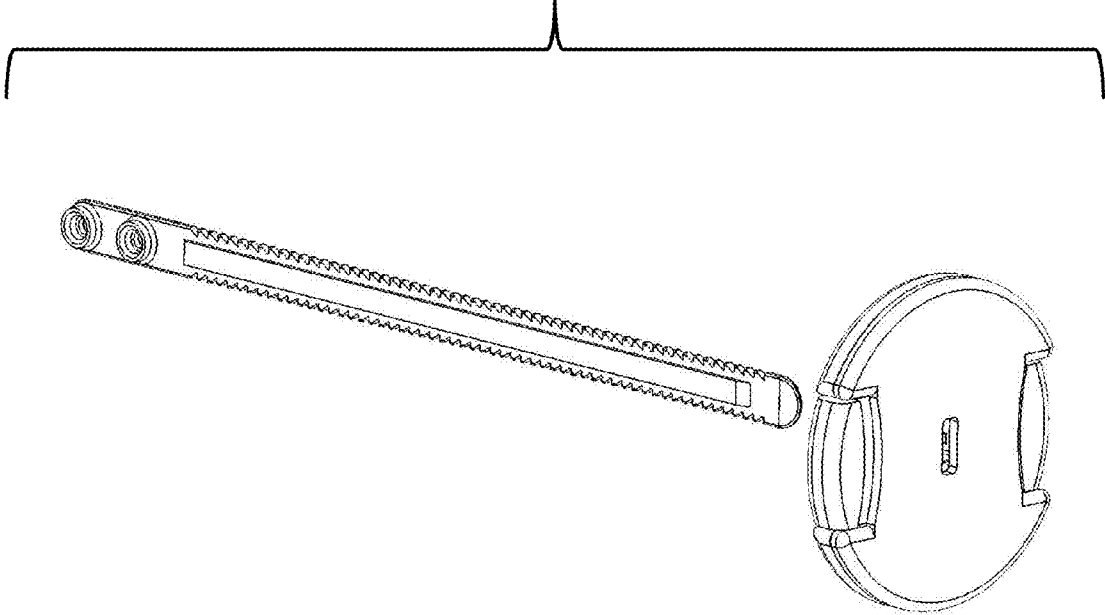


FIG. 3

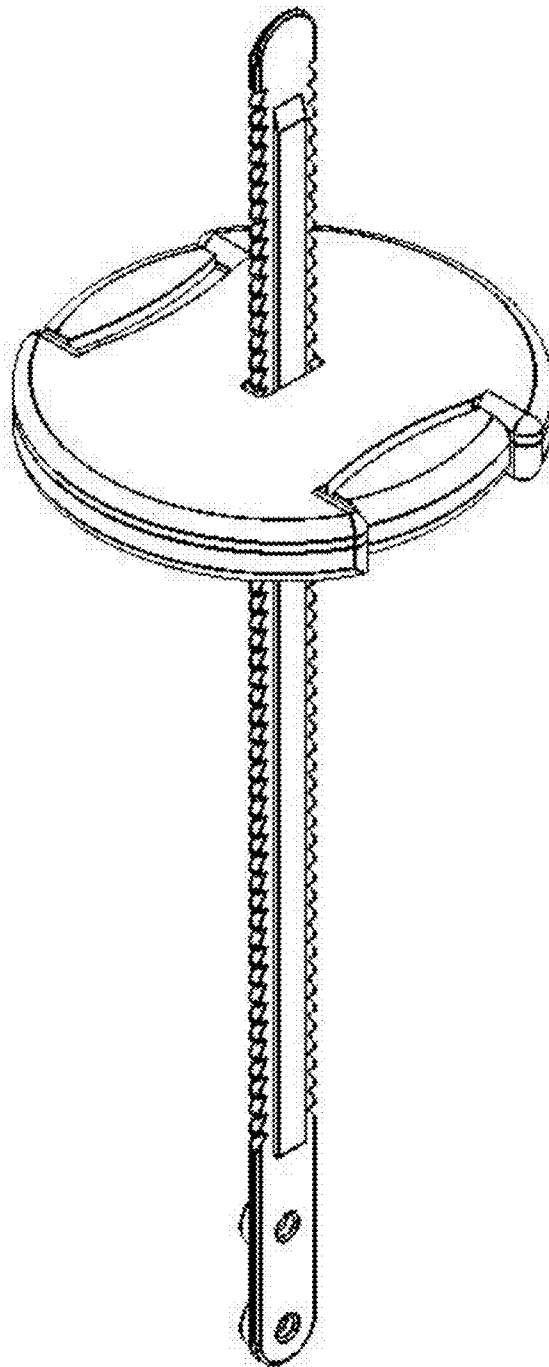


FIG. 4

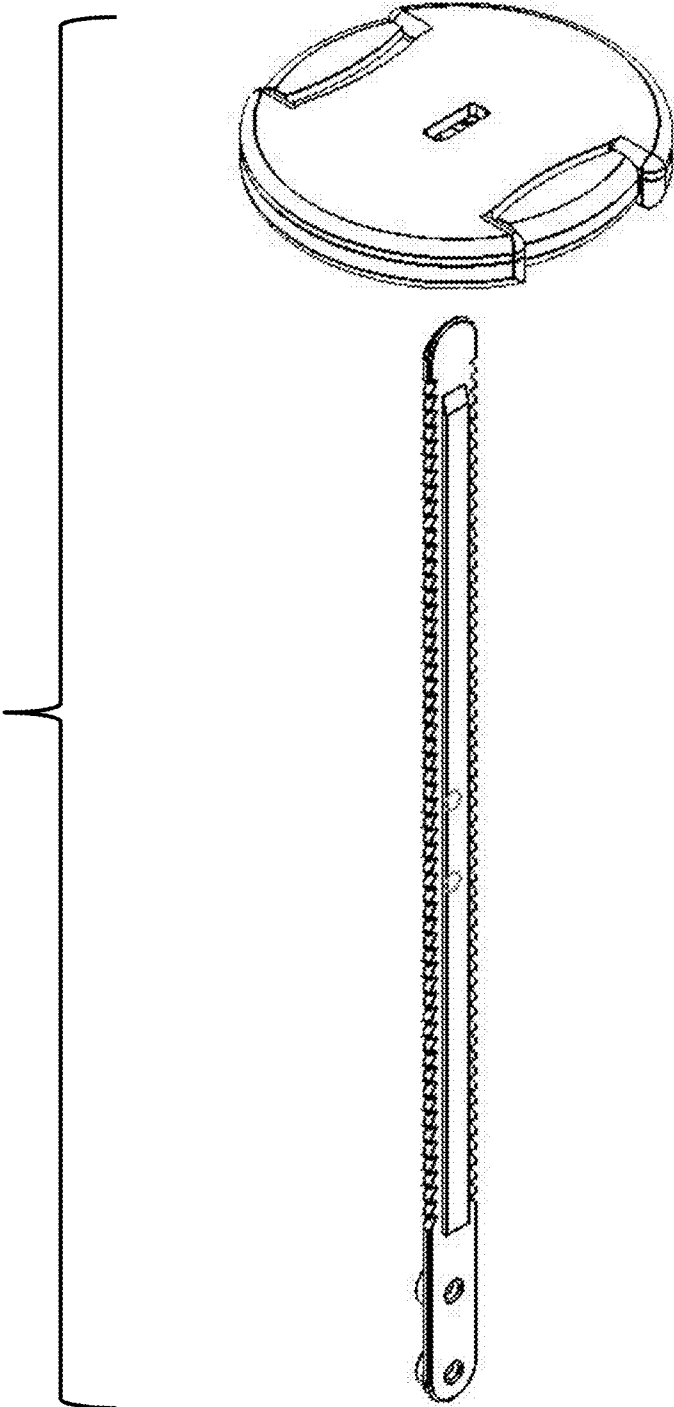


FIG. 5

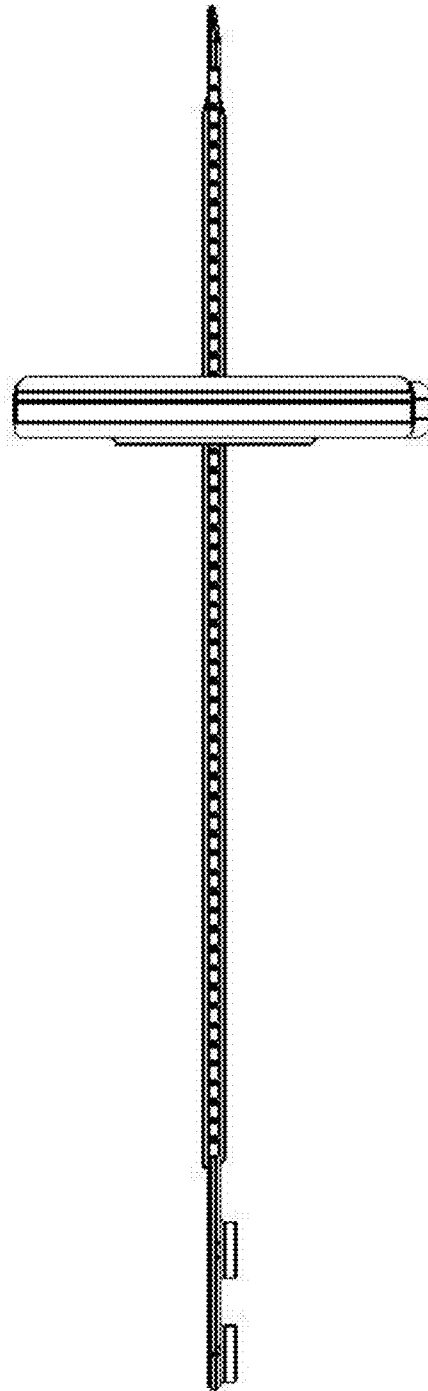


FIG. 6

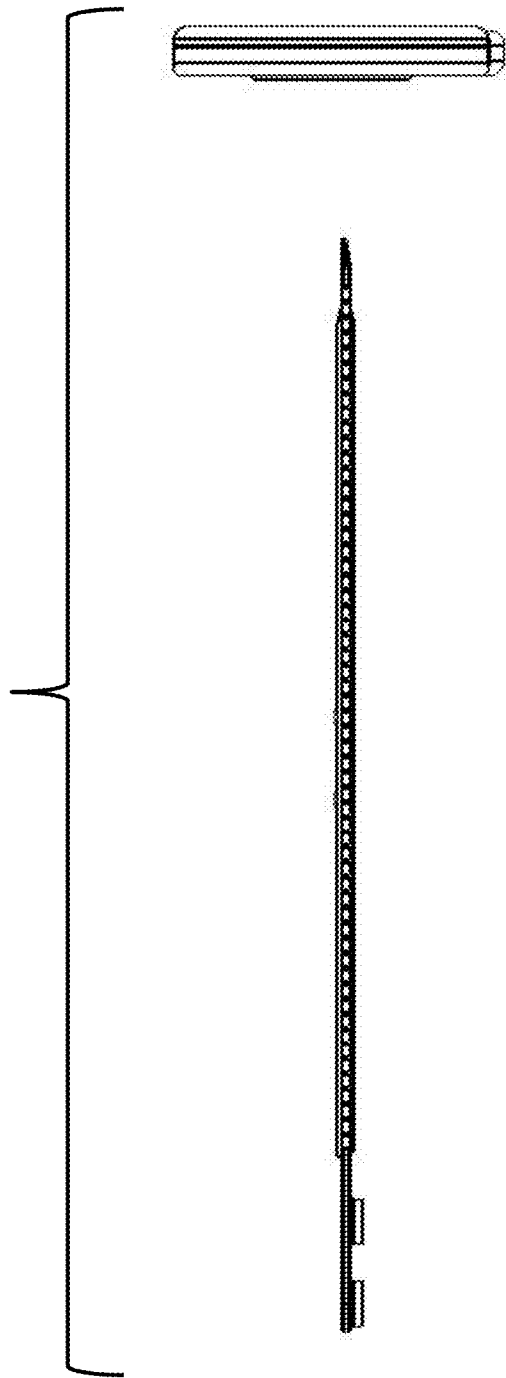


FIG. 7

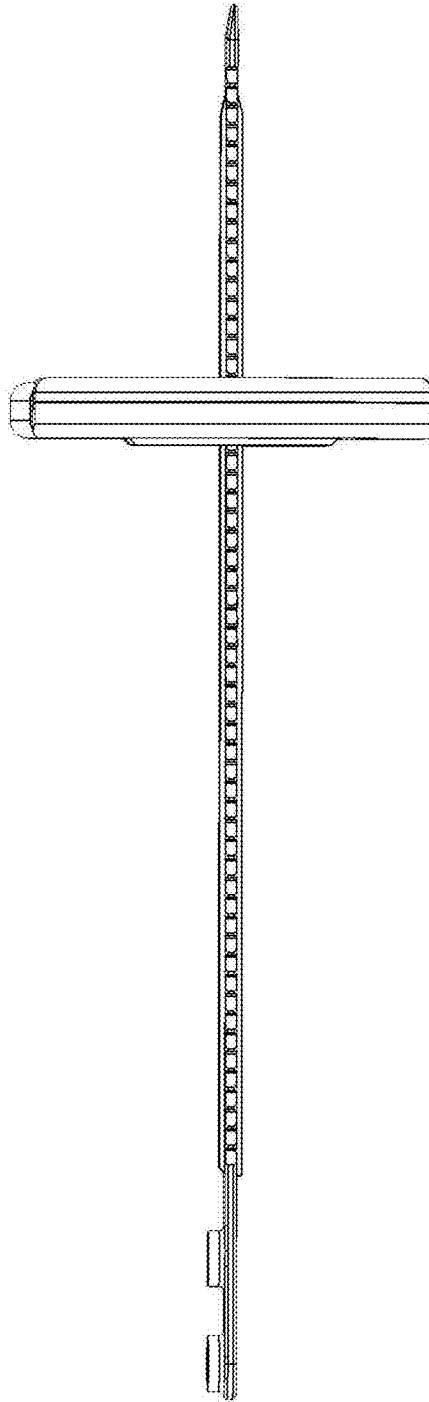


FIG. 8

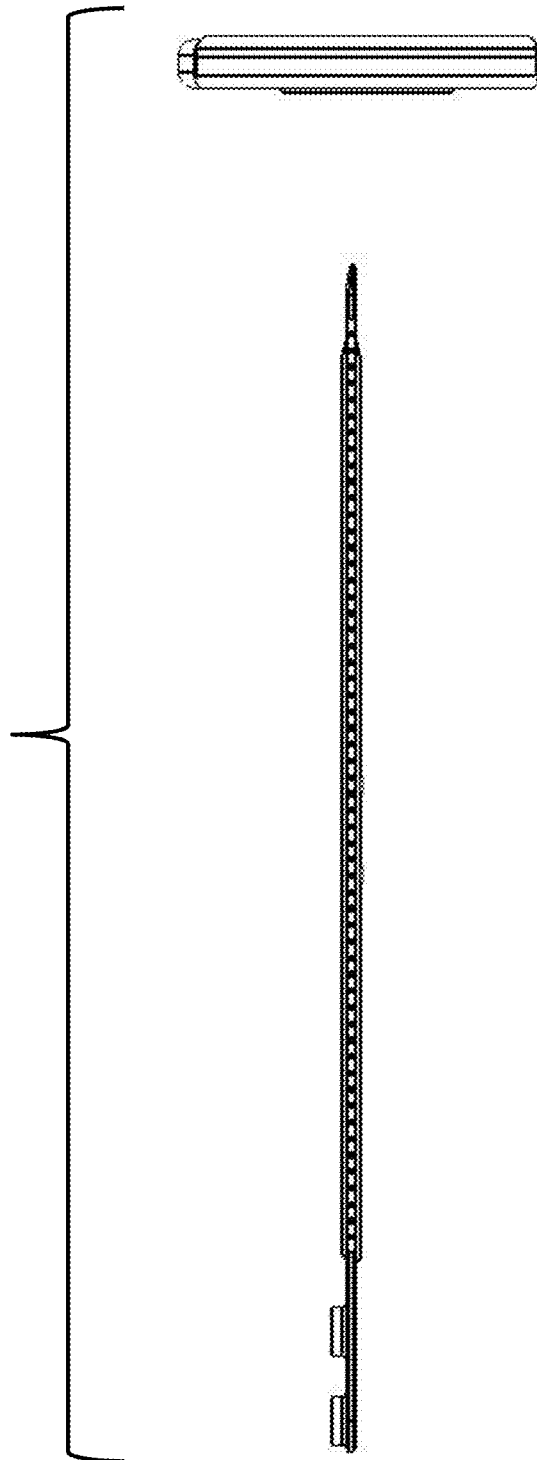


FIG. 9

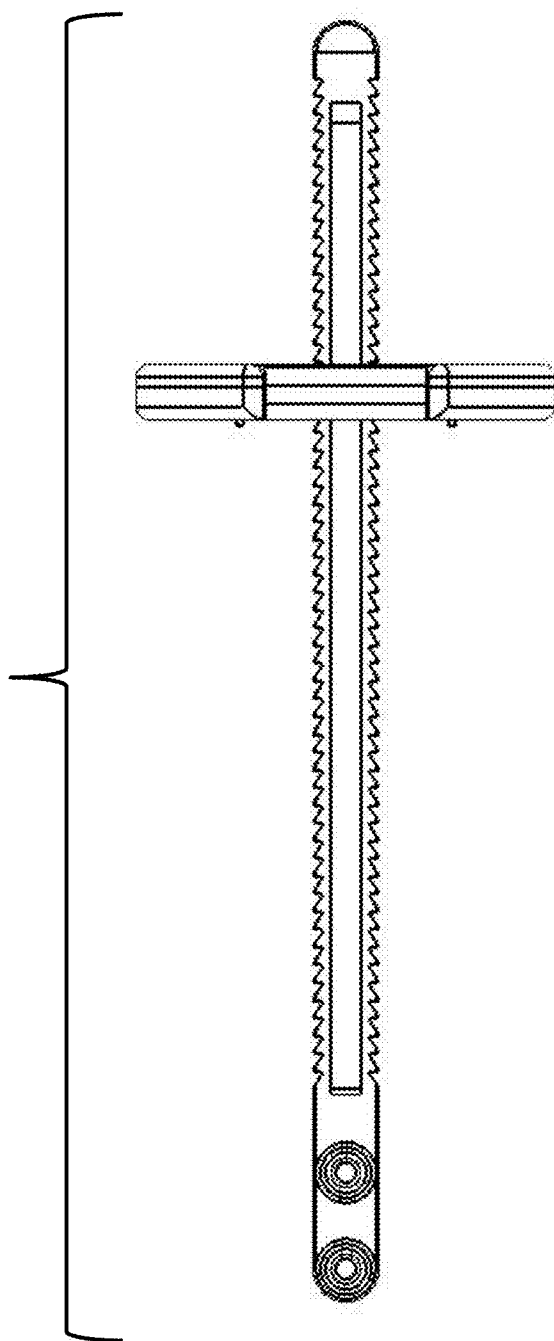


FIG. 10

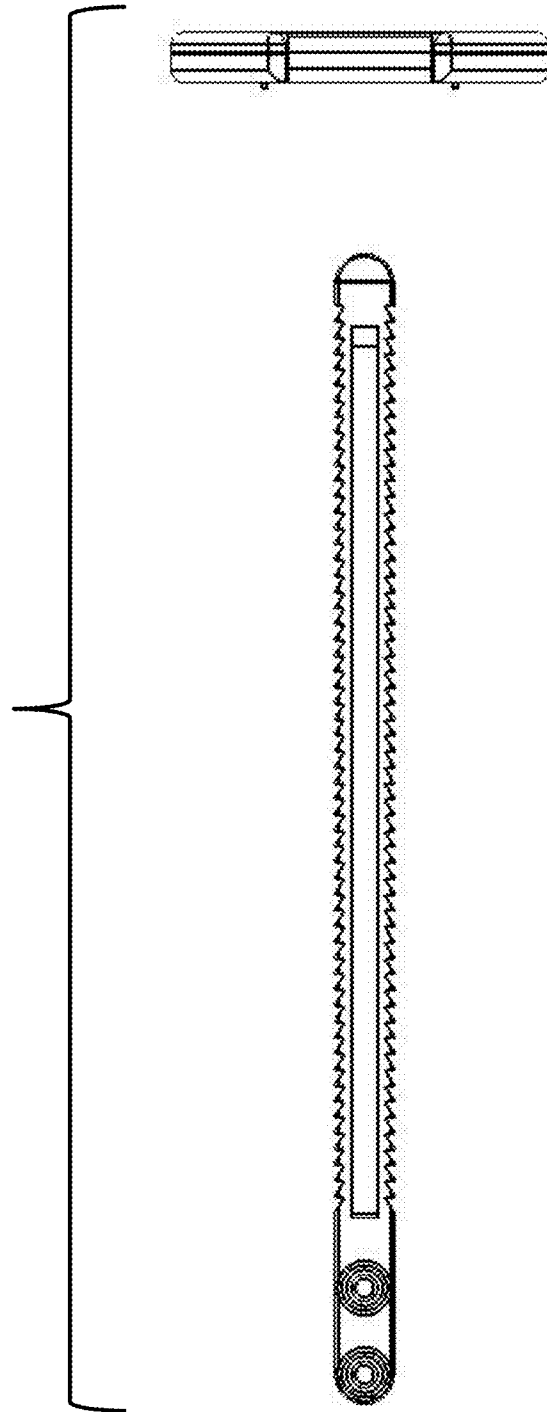


FIG. 11

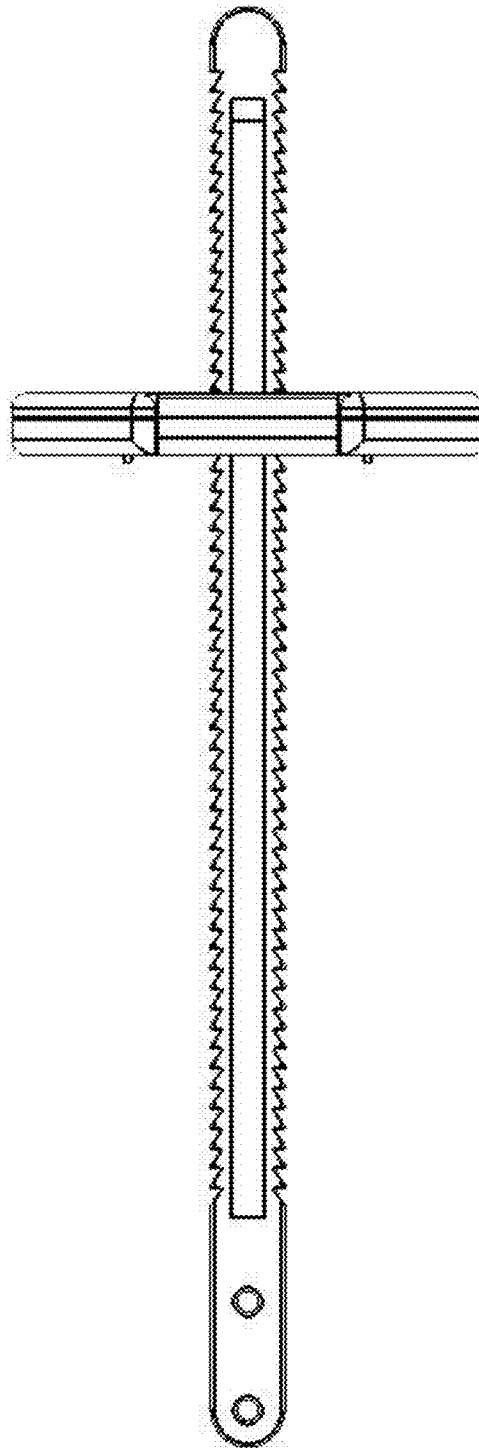


FIG. 12

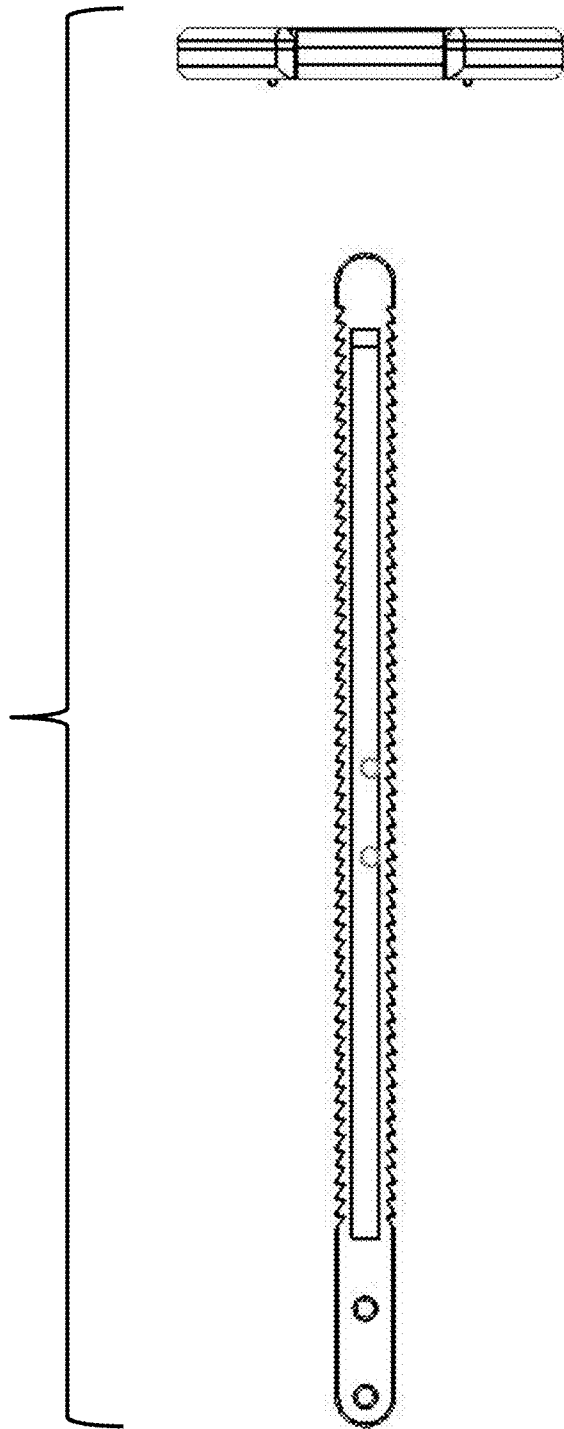


FIG. 13

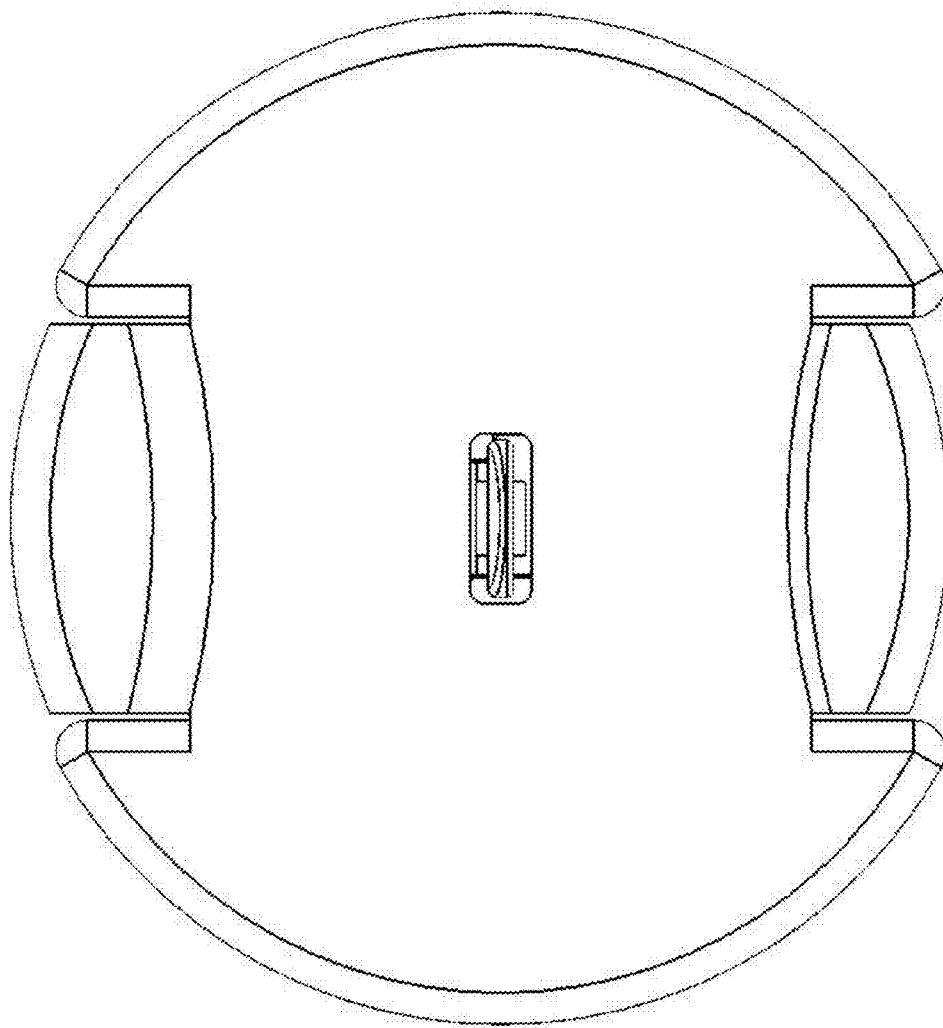


FIG. 14

