



US0D1069194S

(12) **United States Design Patent**
Choo et al.

(10) **Patent No.:** **US D1,069,194 S**

(45) **Date of Patent:** **** Apr. 1, 2025**

(54) **HEAD LAMP FOR AUTOMOBILE**

(56) **References Cited**

(71) Applicants: **HYUNDAI MOTOR COMPANY**,
Seoul (KR); **KIA CORPORATION**,
Seoul (KR)

U.S. PATENT DOCUMENTS

D830,589	S	*	10/2018	Henriques	D26/28
D836,223	S	*	12/2018	Kim	D26/28
D874,035	S	*	1/2020	Park Cheng	D26/28
D874,038	S	*	1/2020	He	D26/28
D877,369	S	*	3/2020	Thurber	D26/28
D884,940	S	*	5/2020	He	D26/28
D903,161	S	*	11/2020	Zipfel	D26/28
D912,863	S	*	3/2021	Wu	D26/28
D912,875	S	*	3/2021	Wu	D26/74
D921,945	S	*	6/2021	Lin	D26/28
D925,792	S	*	7/2021	Lin	D26/28
D977,165	S	*	1/2023	Lin	D26/28
D1,021,162	S	*	4/2024	Choi	D26/28

(72) Inventors: **Dong-Hoon Choo**, Gwacheon-si (KR);
Yun-Seok Oh, Ansan-si (KR)

(**) Term: **15 Years**

(21) Appl. No.: **35/520,577**

(22) Filed: **Feb. 14, 2024**

* cited by examiner

(80) **Hague Agreement Data**

Int. Filing Date: **Feb. 14, 2024**

Int. Reg. No.: **DM/236295**

Int. Reg. Date: **Feb. 14, 2024**

Int. Reg. Pub. Date: **Apr. 19, 2024**

Primary Examiner — Angela J Lee

(57) **CLAIM**

The ornamental design for a head lamp for automobile as shown and described.

(30) **Foreign Application Priority Data**

Oct. 17, 2023 (KR) 30-2023-0040419

(51) **LOC (15) Cl.** **26-06**

(52) **U.S. Cl.**
USPC **D26/28**

(58) **Field of Classification Search**
USPC D26/28, 29, 30, 31, 32, 33, 34, 35, 36,
D26/139

CPC F21S 41/00; F21S 41/141; F21S 41/162;
F21S 41/18; F21S 41/20; F21S 41/33;
F21S 41/36; F21S 41/60; F21S 43/00;
F21W 2103/35; F21W 2103/40; F21W
2102/17; F21W 2102/30; F21W 2103/00;
F21W 2103/55; F21W 2104/00; F21W
2107/17; F21W 2107/13

See application file for complete search history.

DESCRIPTION

1. Head lamp for automobile

1.1 : Perspective

1.2 : Front

1.3 : Back

1.4 : Left

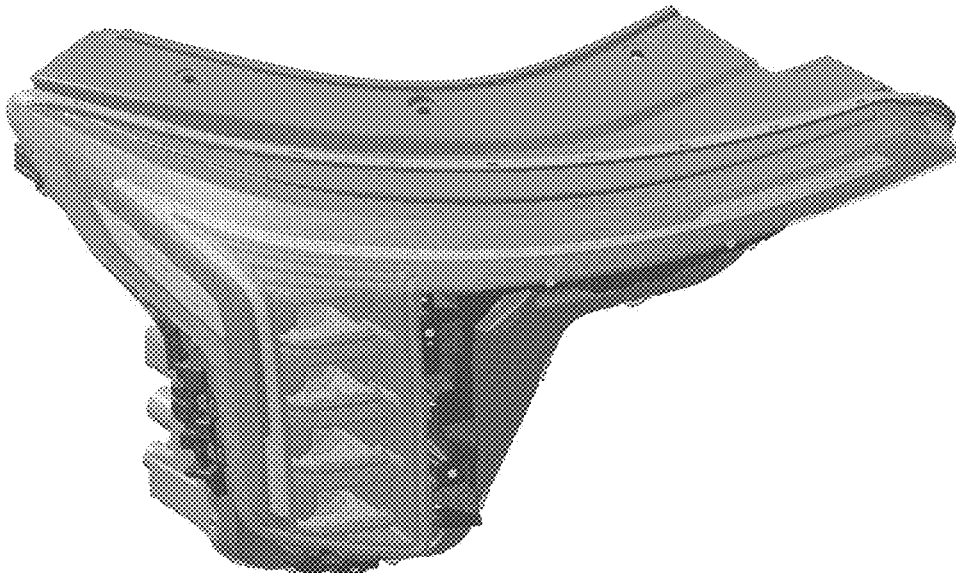
1.5 : Right

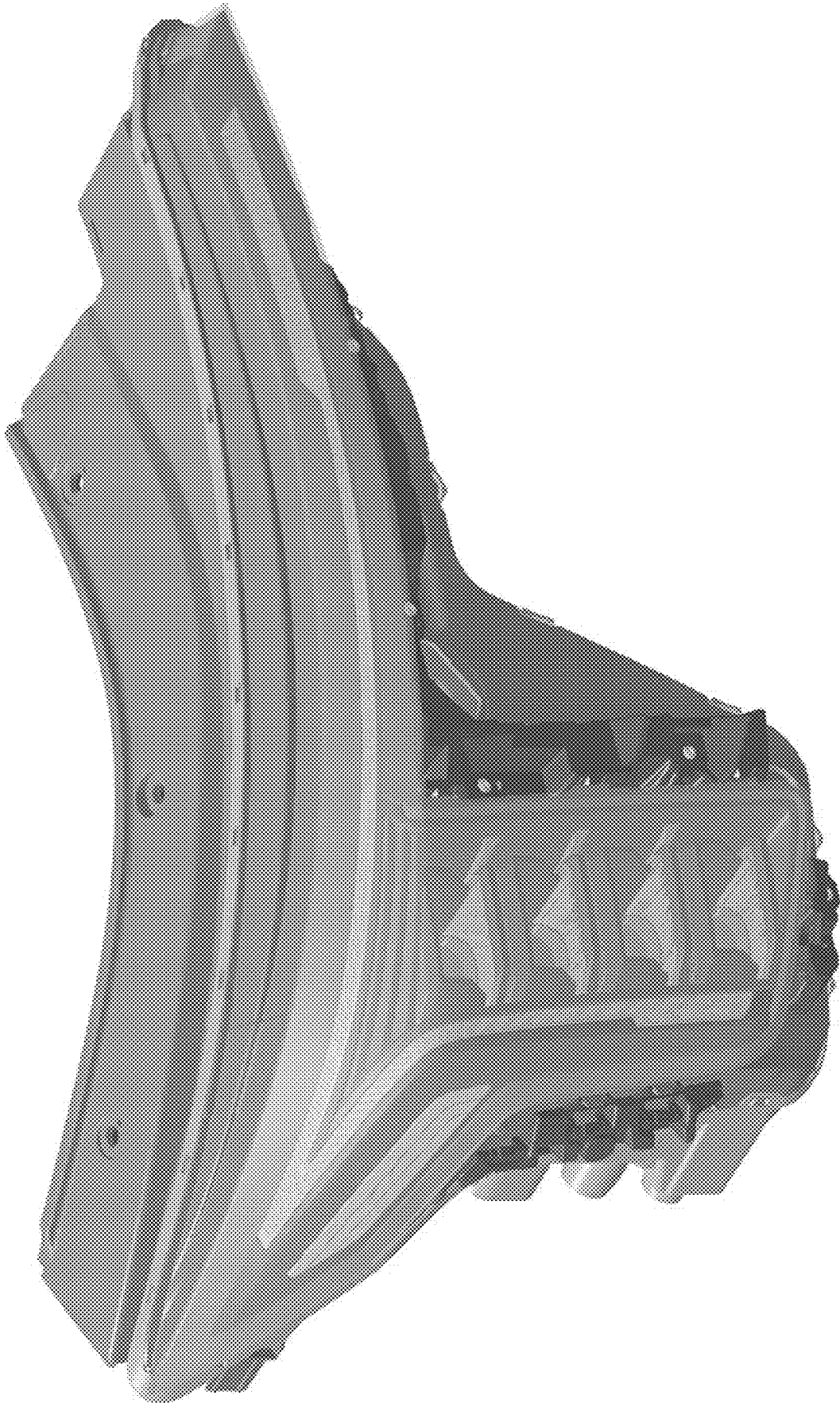
1.6 : Top

1.7 : Bottom

Reproduction **1.1** is a perspective view of a head lamp for automobile showing our new design; reproduction **1.2** is a front elevation view thereof; reproduction **1.3** is a rear elevation view thereof; reproduction **1.4** is a left side elevation view thereof; reproduction **1.5** is a right side elevation view thereof; reproduction **1.6** is a top plan view thereof; reproduction **1.7** is a bottom plan view thereof.

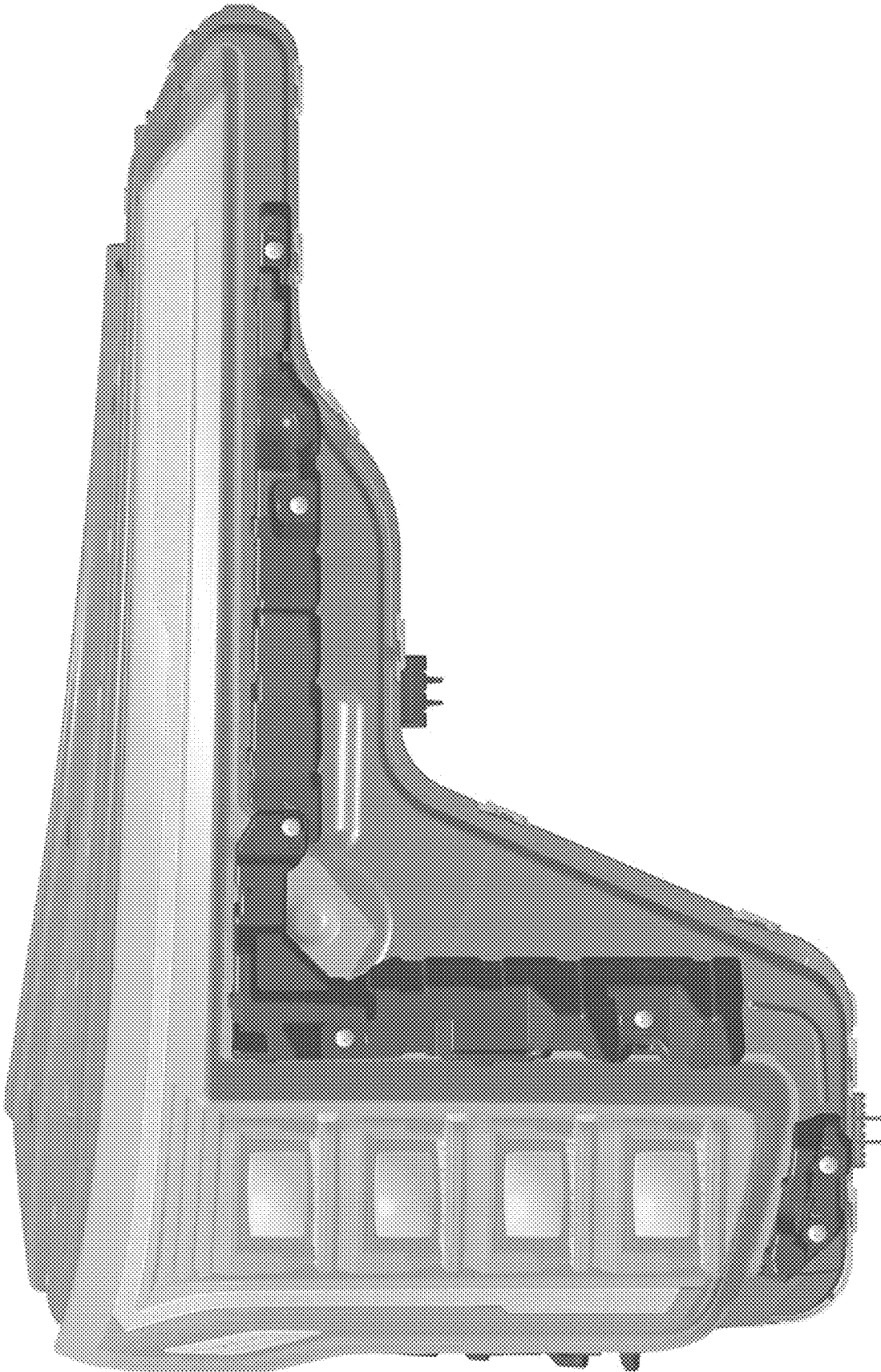
1 Claim, 7 Drawing Sheets



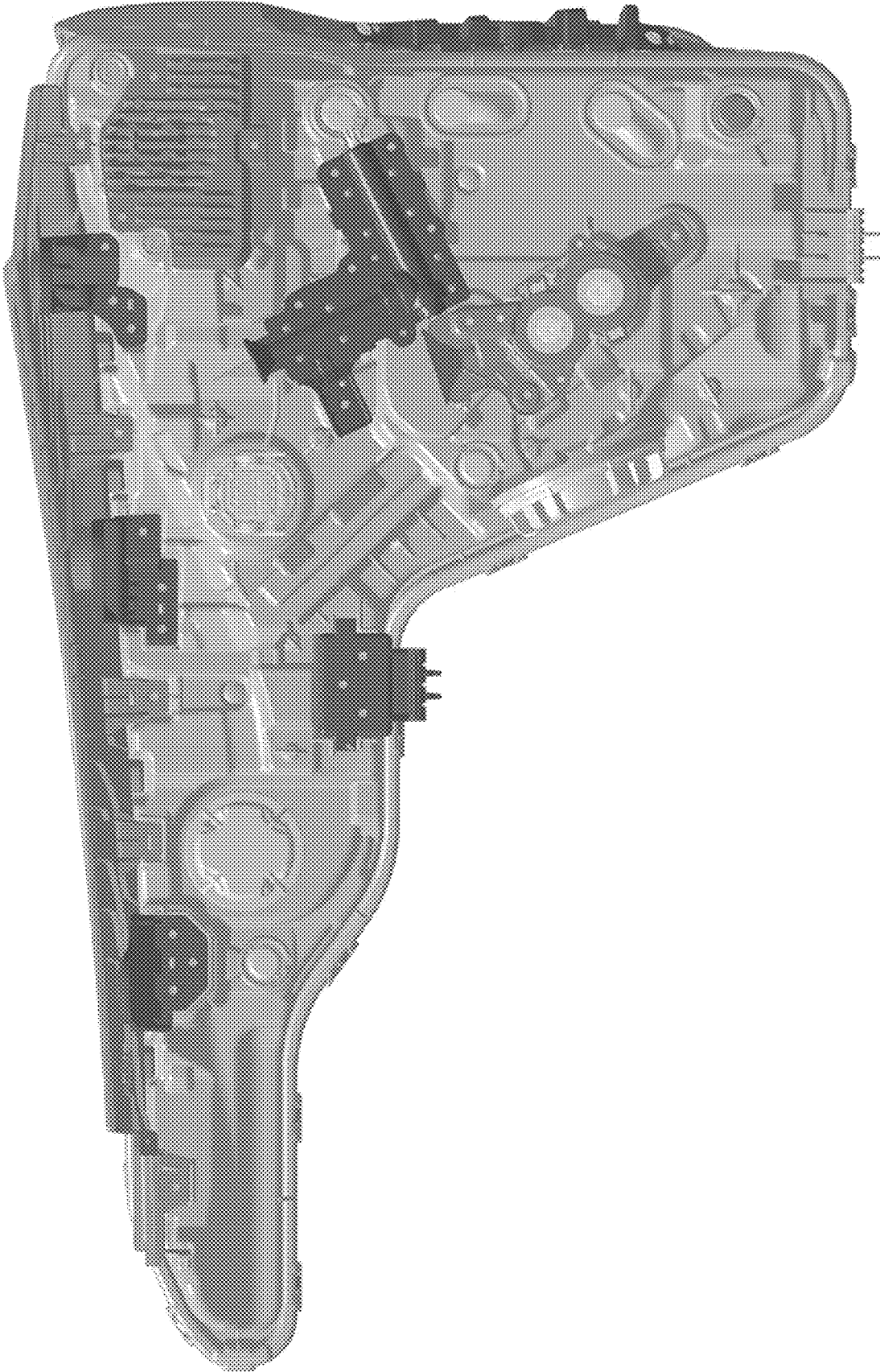


1.1

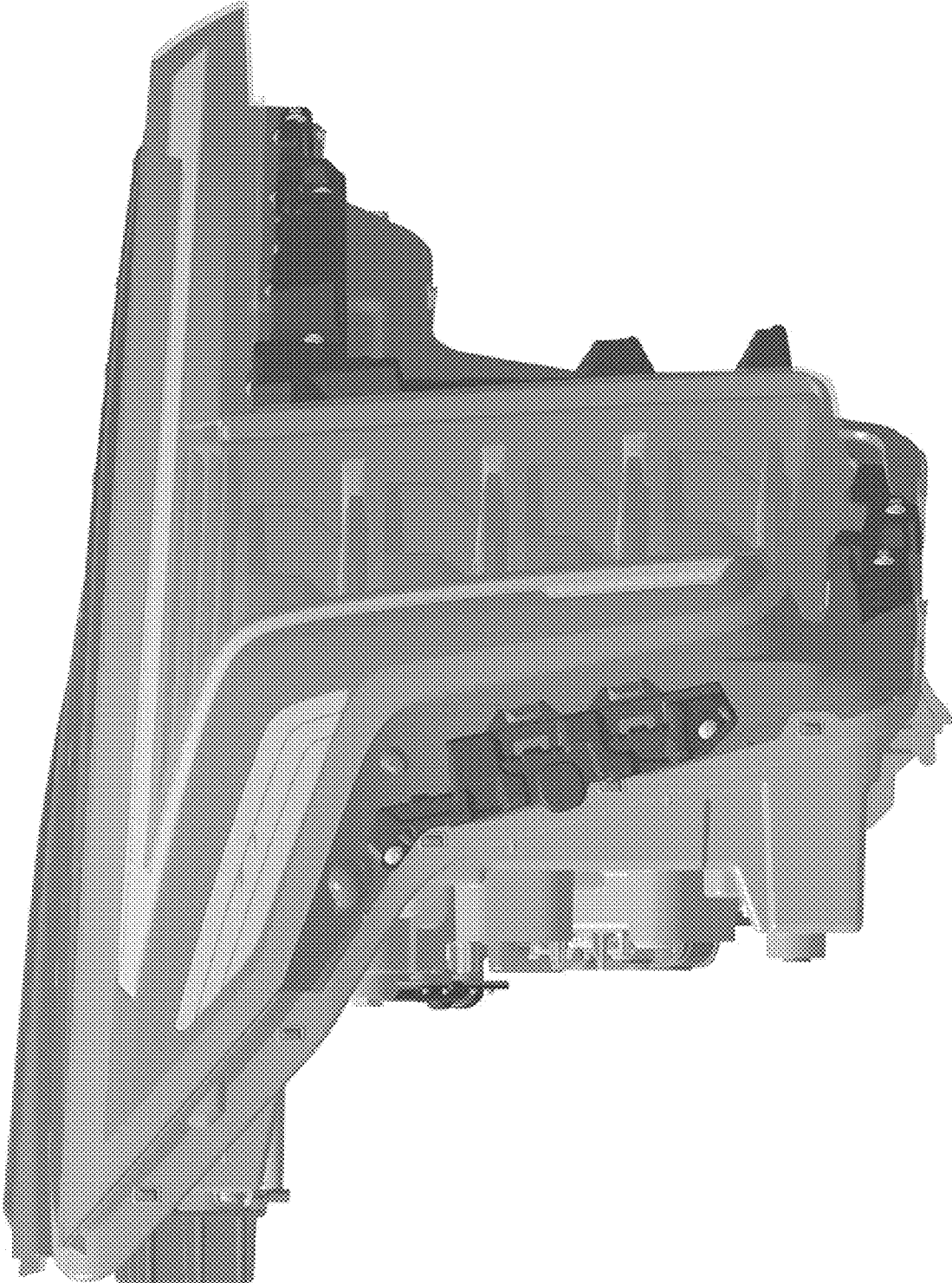
1.2



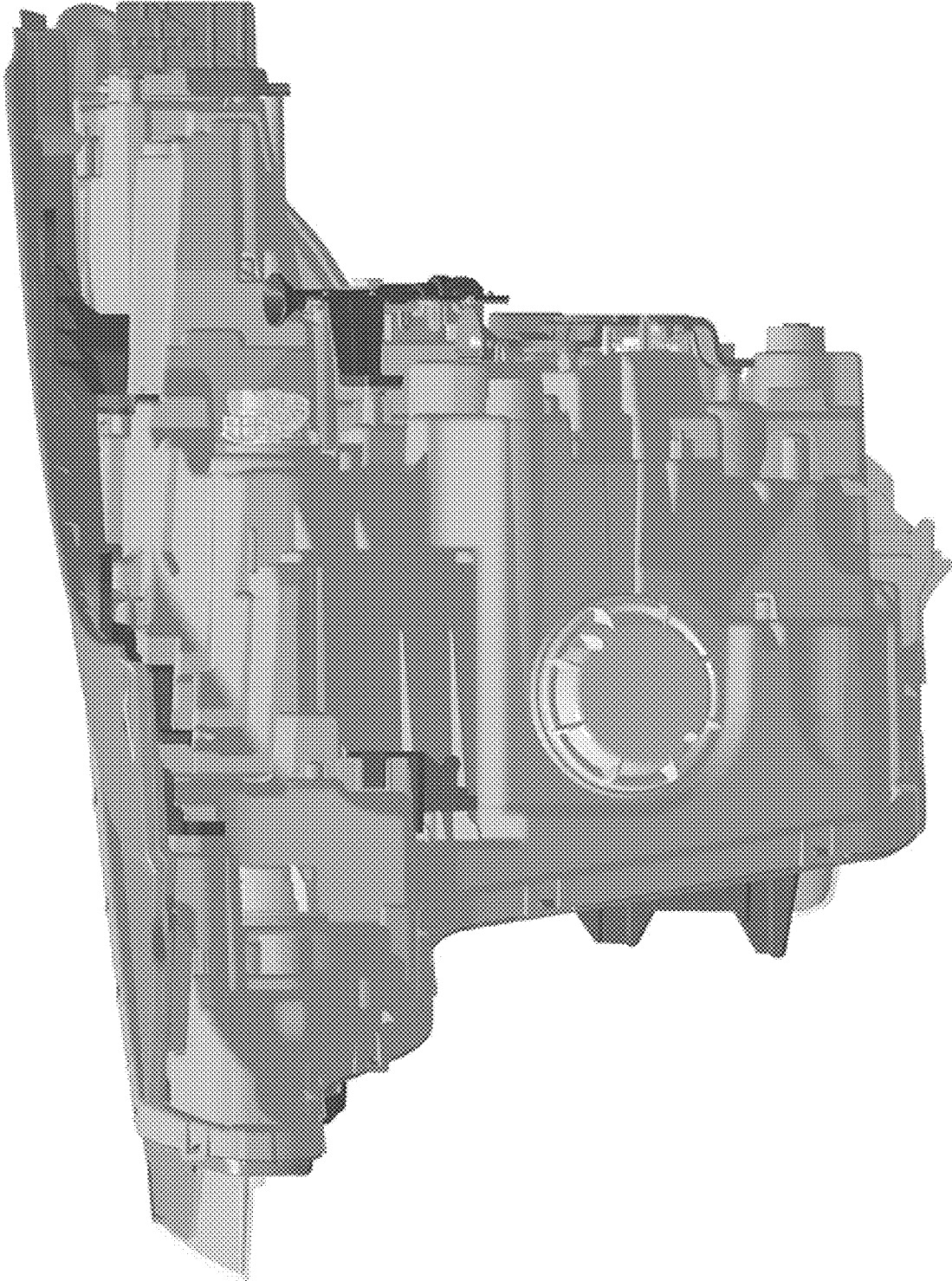
1.3



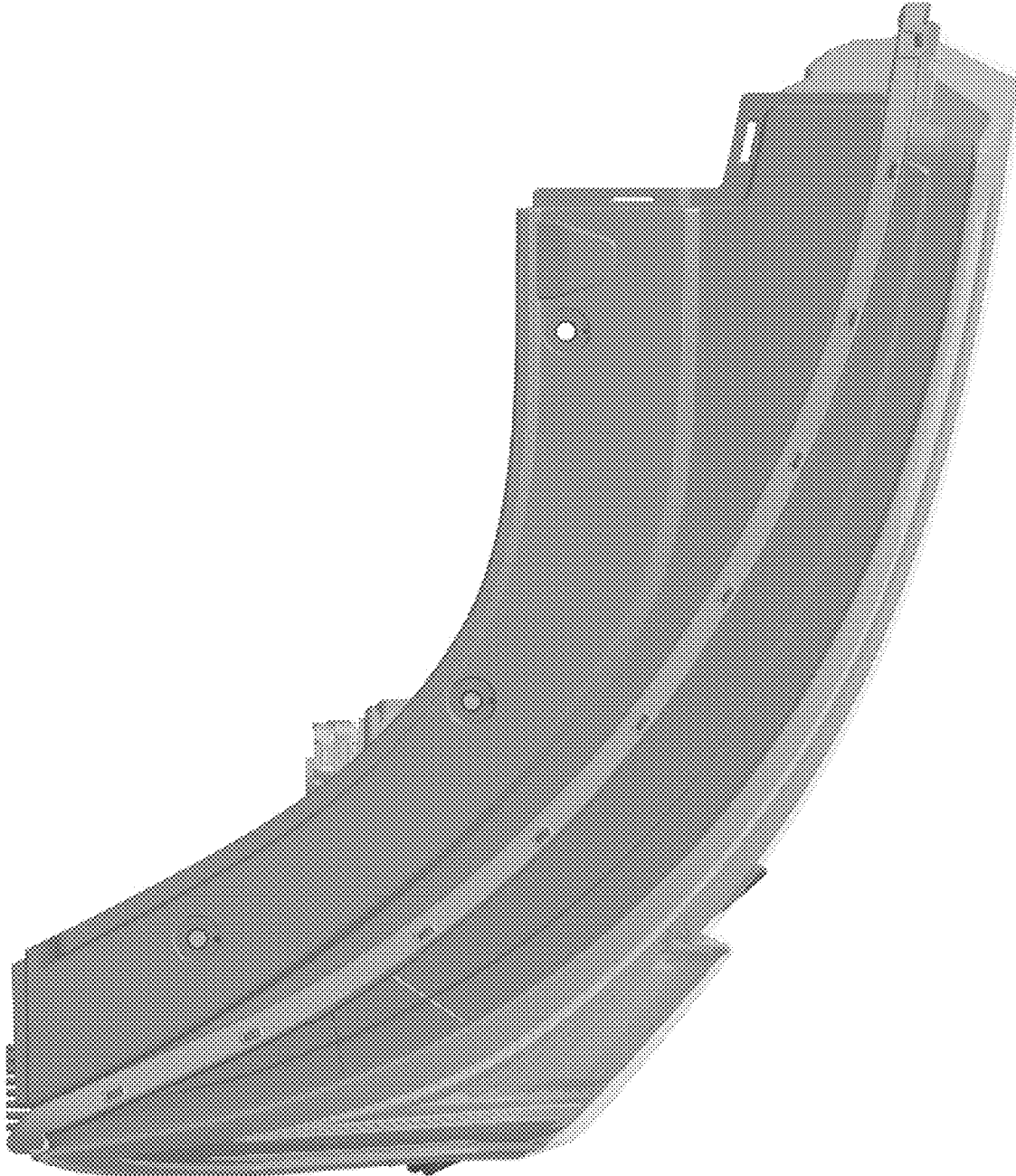
1.4



1.5



1.6



1.7

