



(43) International Publication Date  
27 August 2015 (27.08.2015)

- (51) International Patent Classification:  
*B23D 57/00* (2006.01) *B28D 1/08* (2006.01)
- (21) International Application Number:  
PCT/IB2015/051346
- (22) International Filing Date:  
23 February 2015 (23.02.2015)
- (25) Filing Language: Italian
- (26) Publication Language: English
- (30) Priority Data:  
TV2014A000029 24 February 2014 (24.02.2014) IT
- (72) Inventor; and  
(71) Applicant : **TONCELLI, Dario** [IT/IT]; Via San Pancrazio, 1, I-36061 Bassano del Grappa (Vicenza) (IT).
- (74) Agents: **DRAGOTTI, Gianfranco** et al.; Via Paris Bordone, 9, I-31100 Treviso (IT).
- (81) Designated States (unless otherwise indicated, for every kind of national protection available): AE, AG, AL, AM, AO, AT, AU, AZ, BA, BB, BG, BH, BN, BR, BW, BY, BZ, CA, CH, CL, CN, CO, CR, CU, CZ, DE, DK, DM, DO, DZ, EC, EE, EG, ES, FI, GB, GD, GE, GH, GM, GT, HN, HR, HU, ID, IL, IN, IR, IS, JP, KE, KG, KN, KP, KR,

KZ, LA, LC, LK, LR, LS, LU, LY, MA, MD, ME, MG, MK, MN, MW, MX, MY, MZ, NA, NG, NI, NO, NZ, OM, PA, PE, PG, PH, PL, PT, QA, RO, RS, RU, RW, SA, SC, SD, SE, SG, SK, SL, SM, ST, SV, SY, TH, TJ, TM, TN, TR, TT, TZ, UA, UG, US, UZ, VC, VN, ZA, ZM, ZW.

- (84) Designated States (unless otherwise indicated, for every kind of regional protection available): ARIPO (BW, GH, GM, KE, LR, LS, MW, MZ, NA, RW, SD, SL, ST, SZ, TZ, UG, ZM, ZW), Eurasian (AM, AZ, BY, KG, KZ, RU, TJ, TM), European (AL, AT, BE, BG, CH, CY, CZ, DE, DK, EE, ES, FI, FR, GB, GR, HR, HU, IE, IS, IT, LT, LU, LV, MC, MK, MT, NL, NO, PL, PT, RO, RS, SE, SI, SK, SM, TR), OAPI (BF, BJ, CF, CG, CI, CM, GA, GN, GQ, GW, KM, ML, MR, NE, SN, TD, TG).

**Declarations under Rule 4.17:**

— of inventorship (Rule 4.17(iv))

**Published:**

- with international search report (Art. 21(3))
- before the expiration of the time limit for amending the claims and to be republished in the event of receipt of amendments (Rule 48.2(h))

**(88) Date of publication of the international search report:**

3 December 2015

(54) Title: MULTI-WIRE FRAME FOR CUTTING BLOCKS OF STONE MATERIAL IN SLABS

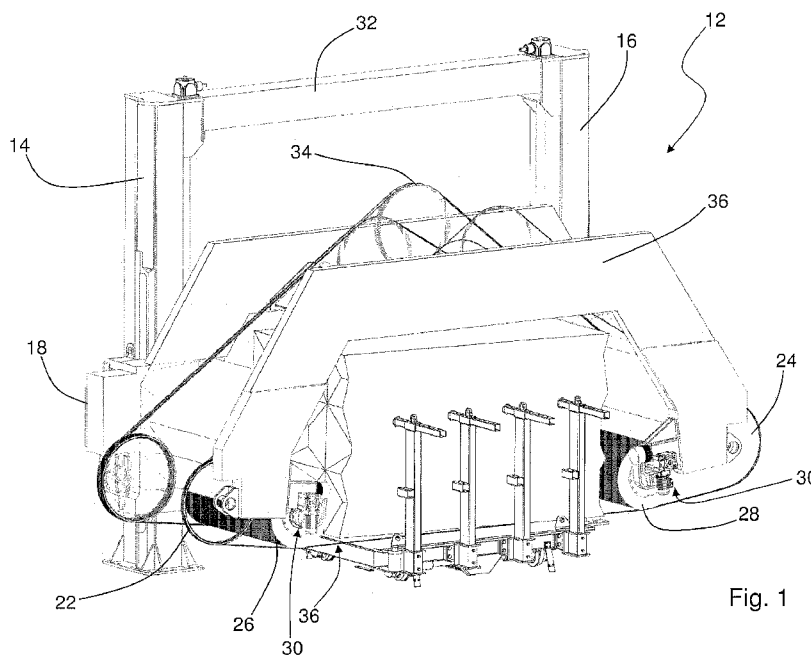


Fig. 1

(57) Abstract: A multi-wire frame (12) for cutting blocks of stone material comprises two columns (14, 16) each of which is provided with a slide (18, 20) designed to move along the respective column (14, 16). At least one multi-groove drum (22, 24) is provided on each slide (18, 20). The multi-groove drums (22, 24) are designed to engage with a plurality of cutting wires which extend between the two slides (18, 20). The multi-wire frame (12) is provided with two wire-guiding rollers (26, 28) designed to guide the wires along the cutting section. The multi-wire frame is characterized in that it comprises means for adjusting the distance between the wire-guiding rollers (26, 28).



WO 2015/125122 A3

INTERNATIONAL SEARCH REPORT

International application No  
PCT/IB2015/051346

A. CLASSIFICATION OF SUBJECT MATTER  
INV. B23D57/00 B28D1/08  
ADD.

According to International Patent Classification (IPC) or to both national classification and IPC

B. FIELDS SEARCHED

Minimum documentation searched (classification system followed by classification symbols)  
B23D B28D

Documentation searched other than minimum documentation to the extent that such documents are included in the fields searched

Electronic data base consulted during the international search (name of data base and, where practicable, search terms used)

EPO-Internal, WPI Data

C. DOCUMENTS CONSIDERED TO BE RELEVANT

Category*	Citation of document, with indication, where appropriate, of the relevant passages	Relevant to claim No.
Y A	TR 2012 10695 U (OZTEKNIK MERMER TORNA MAKINA IMALAT INSAAT TURIZM NAKLIYAT SANAYI VE T) 21 December 2012 (2012-12-21) the whole document -----	1-6, 8-10, 12-16 7,11
Y A	DE 197 22 123 A1 (MAYER WOLFGANG [AT]) 3 December 1998 (1998-12-03) the whole document in particular: column 2, line 65 - column 3, line 23 figure 3 ----- -/--	1-6, 8-10, 12-16 7,11

Further documents are listed in the continuation of Box C.  See patent family annex.

\* Special categories of cited documents :

"A" document defining the general state of the art which is not considered to be of particular relevance

"E" earlier application or patent but published on or after the international filing date

"L" document which may throw doubts on priority claim(s) or which is cited to establish the publication date of another citation or other special reason (as specified)

"O" document referring to an oral disclosure, use, exhibition or other means

"P" document published prior to the international filing date but later than the priority date claimed

"T" later document published after the international filing date or priority date and not in conflict with the application but cited to understand the principle or theory underlying the invention

"X" document of particular relevance; the claimed invention cannot be considered novel or cannot be considered to involve an inventive step when the document is taken alone

"Y" document of particular relevance; the claimed invention cannot be considered to involve an inventive step when the document is combined with one or more other such documents, such combination being obvious to a person skilled in the art

"&" document member of the same patent family

Date of the actual completion of the international search  1 October 2015	Date of mailing of the international search report  16/10/2015
---	--

Name and mailing address of the ISA/ European Patent Office, P.B. 5818 Patentlaan 2 NL - 2280 HV Rijswijk Tel. (+31-70) 340-2040, Fax: (+31-70) 340-3016	Authorized officer  Rijks, Mark
--	---------------------------------------

## INTERNATIONAL SEARCH REPORT

International application No  
PCT/IB2015/051346

C(Continuation). DOCUMENTS CONSIDERED TO BE RELEVANT		
Category*	Citation of document, with indication, where appropriate, of the relevant passages	Relevant to claim No.
A	WO 2011/033541 A1 (PELMINE S R L [IT]; PELLEGRINI MARCO TERZO [IT]) 24 March 2011 (2011-03-24) the whole document in particular: page 13, line 18 - line 23 figure 5	1-16
A	----- ES 2 125 145 A1 (GRANI ROC S A [ES]) 16 February 1999 (1999-02-16) the whole document	1-16
A	----- JP S61 100366 A (SUMITOMO METAL IND; NIPPON SPINDLE MFG CO LTD) 19 May 1986 (1986-05-19) abstract -----	1-16

# INTERNATIONAL SEARCH REPORT

Information on patent family members

International application No

PCT/IB2015/051346

Patent document cited in search report	Publication date	Patent family member(s)	Publication date
TR 201210695	U	21-12-2012	NONE
-----			
DE 19722123	A1	03-12-1998	NONE
-----			
WO 2011033541	A1	24-03-2011	NONE
-----			
ES 2125145	A1	16-02-1999	NONE
-----			
JP S61100366	A	19-05-1986	JP H0683953 B2 26-10-1994
			JP S61100366 A 19-05-1986
-----			