



US00D968307S

(12) **United States Design Patent**
Matsuda et al.

(10) **Patent No.:** **US D968,307 S**

(45) **Date of Patent:** **** Nov. 1, 2022**

(54) **WHEEL FOR A MOTOR VEHICLE**

(71) Applicant: **MAZDA MOTOR CORPORATION**,
Hiroshima (JP)

(72) Inventors: **Takuya Matsuda**, Hiroshima (JP);
Shinichiro Yamauchi, Hiroshima (JP)

(73) Assignee: **MAZDA MOTOR CORPORATION**,
Hiroshima (JP)

(**) Term: **15 Years**

(21) Appl. No.: **29/730,963**

(22) Filed: **Apr. 9, 2020**

(51) **LOC (13) Cl.** **12-16**

(52) **U.S. Cl.**
USPC **D12/211**

(58) **Field of Classification Search**
USPC D12/204-213, 501; D21/423, 533, 563,
D21/779

CPC B60B 7/00; B60B 7/01; B60B 7/02; B60B
7/04; B60B 7/06; B60B 3/02; B60B 3/04;
B60B 3/06; B60B 3/10; B60B 1/00;
B60B 1/08; B60B 1/10; B60B 1/12

See application file for complete search history.

(56) **References Cited**

U.S. PATENT DOCUMENTS

D682,179 S	5/2013	Badstuebner	
D731,390 S *	6/2015	Kobayashi	D12/211
D781,202 S *	3/2017	Mahoney	D12/211
D784,894 S *	4/2017	Gardavsky	D12/211
D791,050 S *	7/2017	Juergens	D12/211
D795,148 S *	8/2017	Ariga	D12/209
D799,395 S *	10/2017	Chung	D12/209
D811,979 S *	3/2018	Svensson	D12/211

D864,072 S *	10/2019	Groth	D12/209
D866,443 S *	11/2019	Peat	D12/211
D868,662 S *	12/2019	Moore	D12/209
D871,994 S *	1/2020	Bjerke	D12/209
D942,359 S *	2/2022	Jónás	B60B 3/02 D12/209
D955,962 S *	6/2022	Lesnik	D12/211

OTHER PUBLICATIONS

2023 Mazda CX-50, Published May 15, 2022 [online], [retrieved on Aug. 9, 2022]. Retrieved from the Internet: https://www.youtube.com/watch?v=rZQ6VW_1knY (Year: 2022).*

* cited by examiner

Primary Examiner — Cary M Robinson

Assistant Examiner — Adam C Mager

(74) *Attorney, Agent, or Firm* — Studebaker & Brackett
PC

(57) **CLAIM**

The ornamental design for a wheel for a motor vehicle, as shown and described.

DESCRIPTION

FIG. 1 is a first perspective view of a wheel for a motor vehicle;

FIG. 2 is a second perspective view thereof;

FIG. 3 is a front view thereof;

FIG. 4 is a left side view thereof; the opposite side being a mirror image of the side shown herein

FIG. 5 is a top view thereof; and,

FIG. 6 is a bottom view thereof.

1 Claim, 3 Drawing Sheets

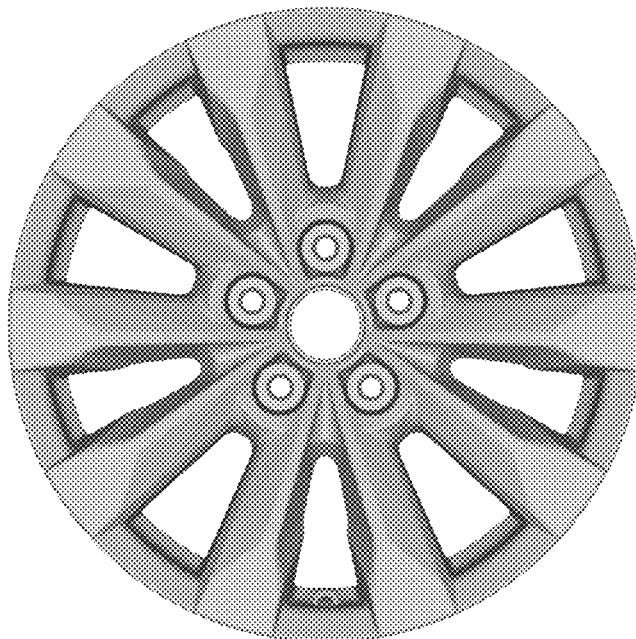




FIG.1

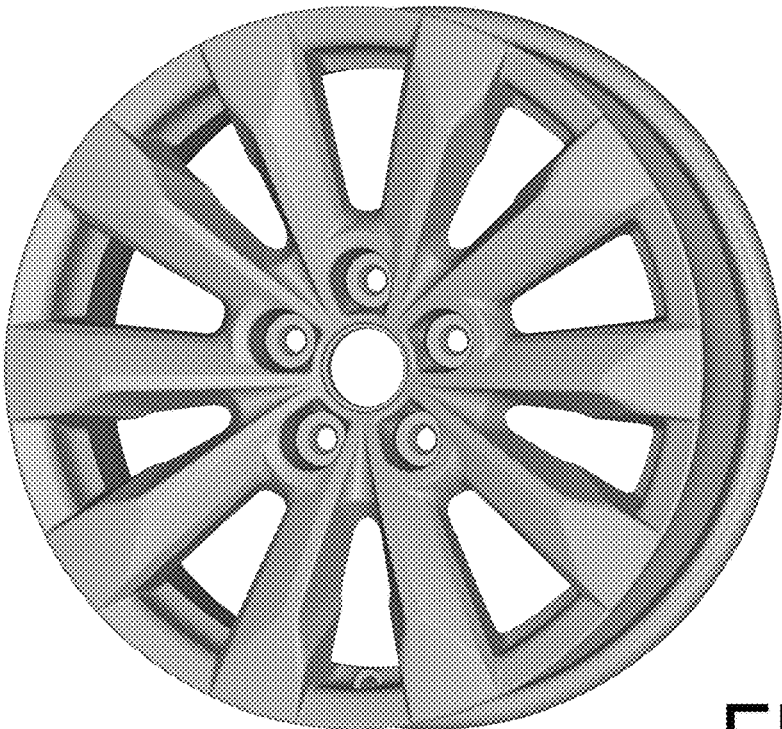


FIG.2

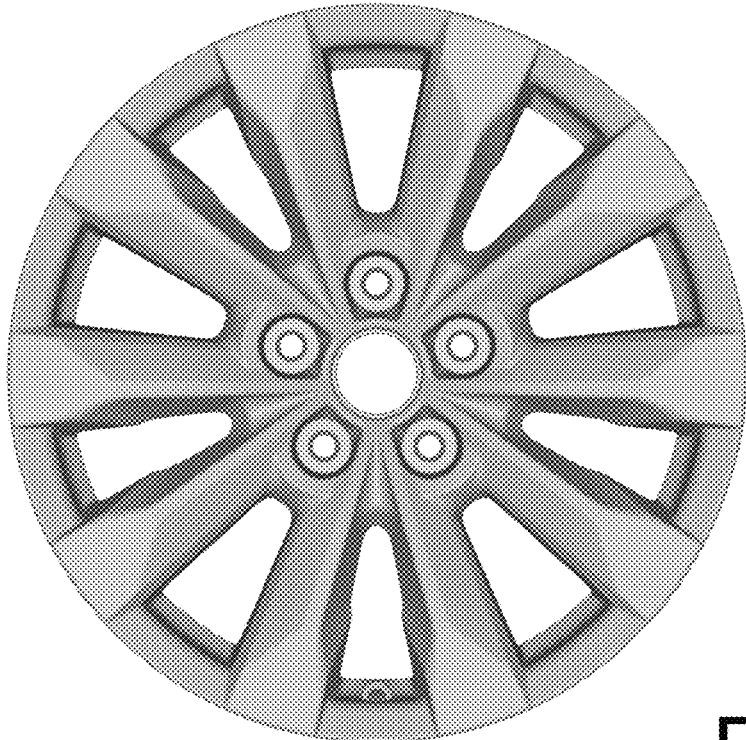


FIG.3

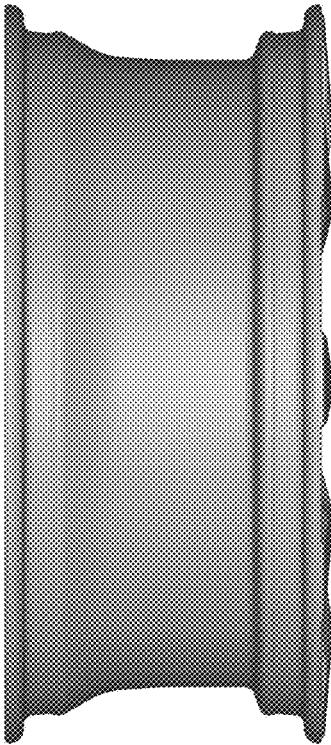


FIG.4

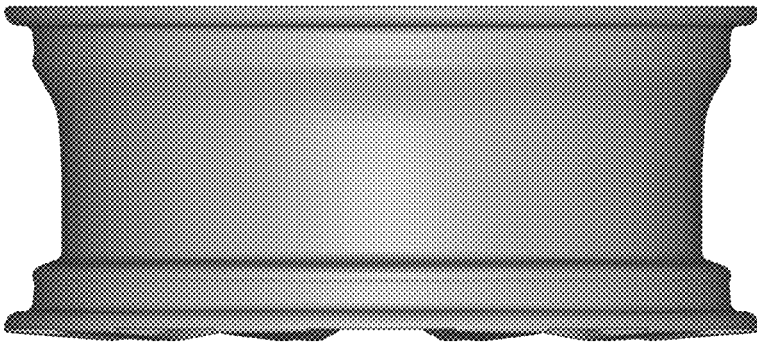


FIG.5

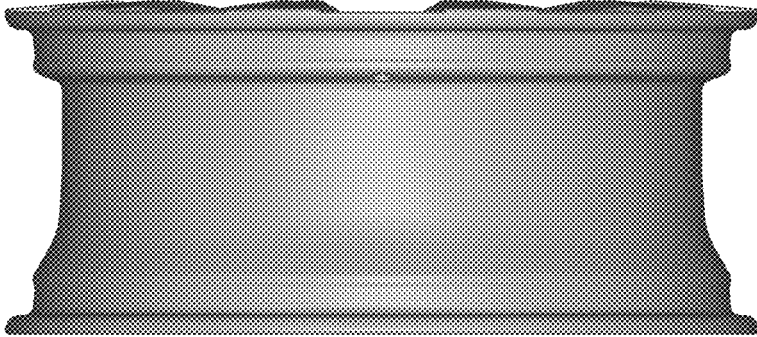


FIG.6