



US00D341196S

United States Patent [19]

Cheslock

[11] Patent Number: **Des. 341,196**

[45] Date of Patent: **** Nov. 9, 1993**

[54] **PEDESTAL FAN**

4,120,615 10/1978 Keem et al. 416/247 R

[76] Inventor: **Edward P. Cheslock**, 820 Lincoln Ave., P.O. Box 891, West Chester, Pa. 19380-0294

[**] Term: **14 Years**

[21] Appl. No.: **3,113**

[22] Filed: **Dec. 28, 1992**

[52] U.S. Cl. **D23/378**

[58] Field of Search D23/370, 371, 378, 381, D23/335, 336, 337, 382; 416/244 R, 247 R; 392/365-369, 373; D6/495, 496, 499, 486, 455, 456, 457, 458, 459, 460, 461; 248/676, 125

[56] **References Cited**

U.S. PATENT DOCUMENTS

- D. 104,940 6/1937 Hueglin D23/378
- D. 115,287 6/1939 Evans D6/459
- D. 291,352 8/1987 Kouno et al. D23/378

OTHER PUBLICATIONS

Tatung Fan Co. Cat, p. 1, Fan TSHV-18, left side of page, Cooling (Except Ceiling Fans) Cat Box.

Primary Examiner—Wallace R. Burke
Assistant Examiner—Lisa Lichtenstein
Attorney, Agent, or Firm—Z. T. Wobensmith, III

[57] **CLAIM**

The ornamental design for a pedestal fan, as shown and described.

DESCRIPTION

FIG. 1 is a front elevational view of a pedestal fan showing my new design;
FIG. 2 is a rear elevational view thereof;
FIG. 3 is a top plan view thereof;
FIG. 4 is a bottom plan view thereof; and,
FIG. 5 is a left side elevational view thereof, the right side being a mirror image of that shown.

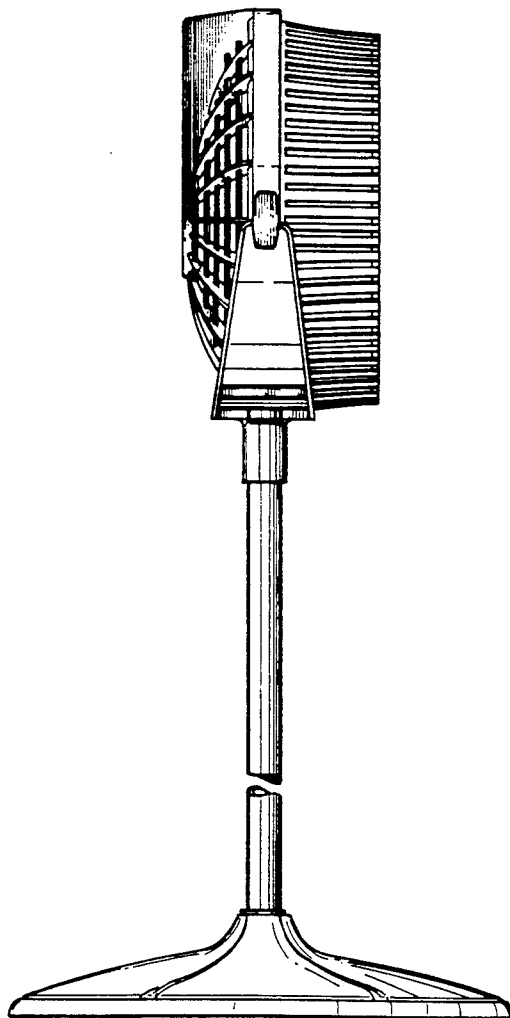
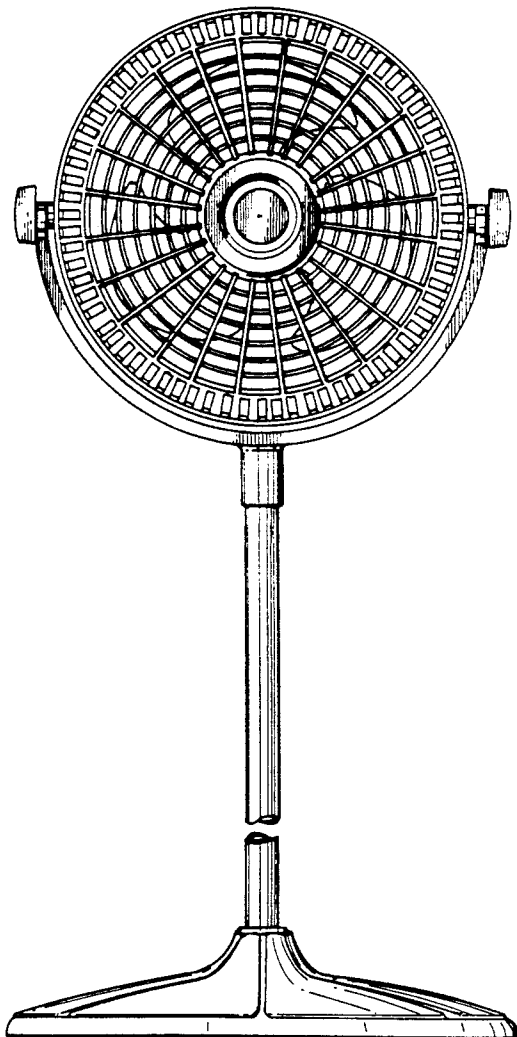


FIG. 1

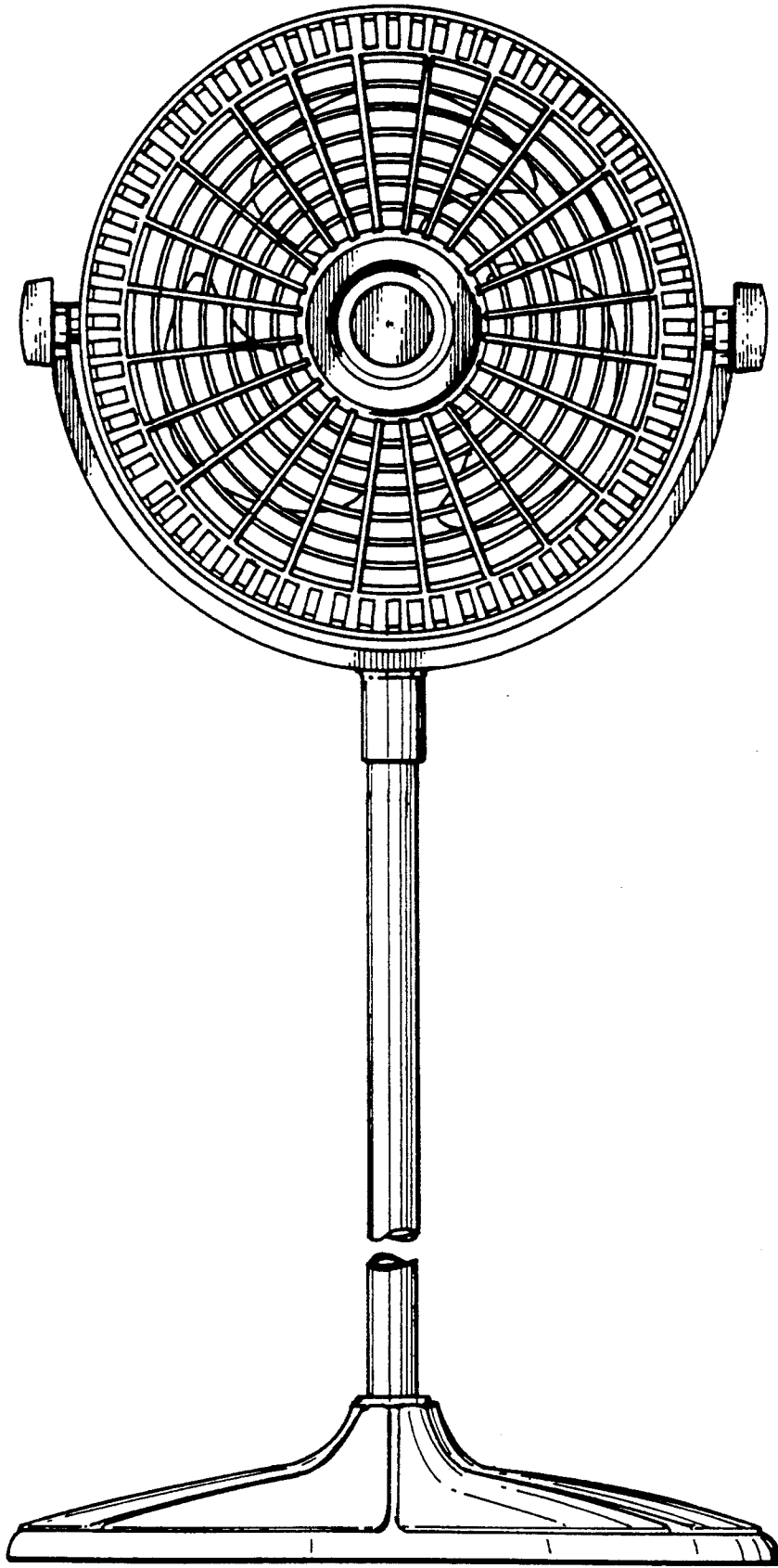


FIG. 2

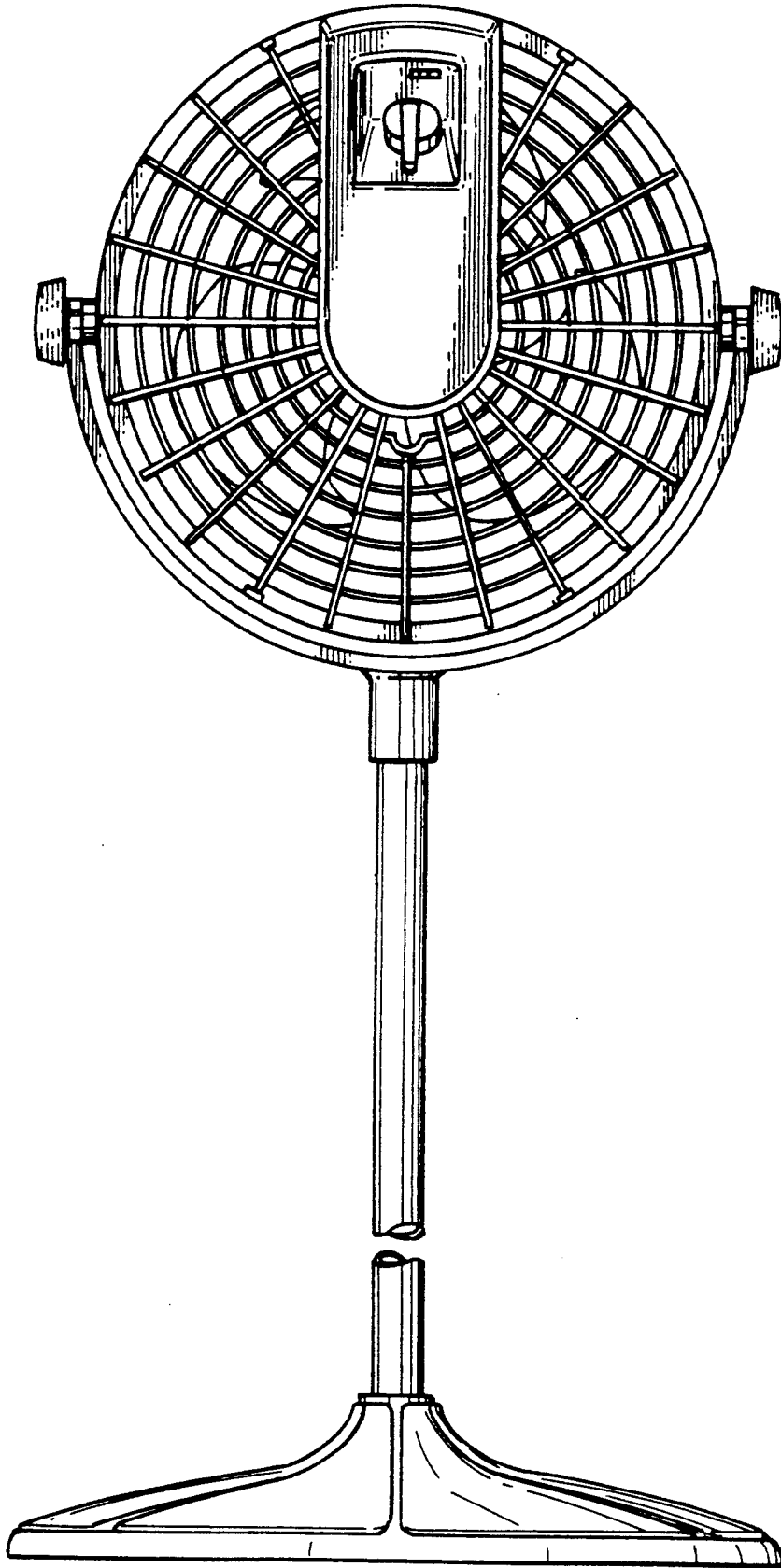


FIG. 3

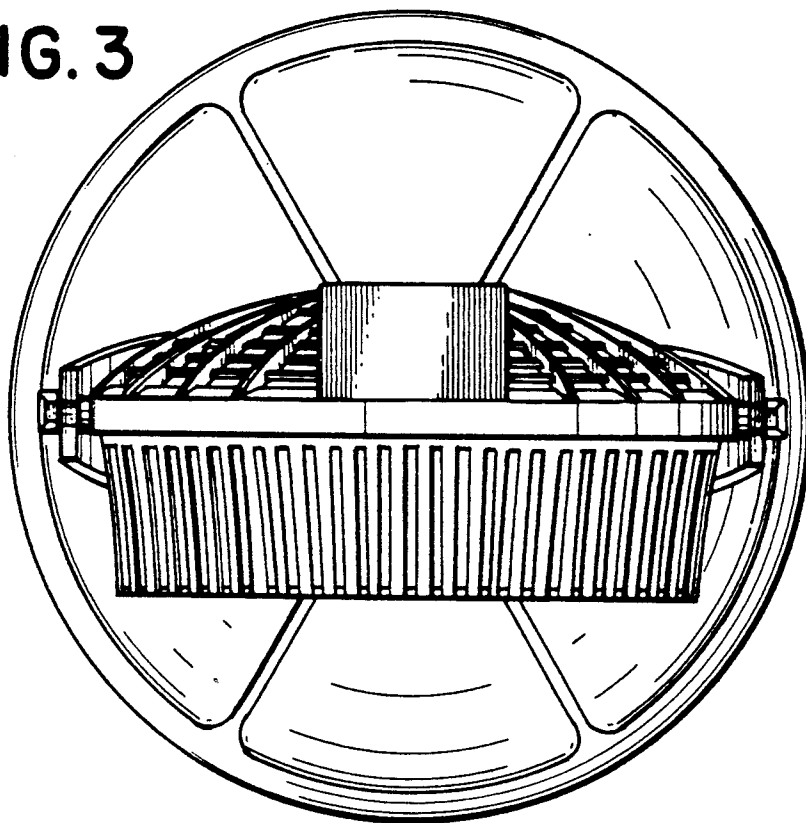


FIG. 4

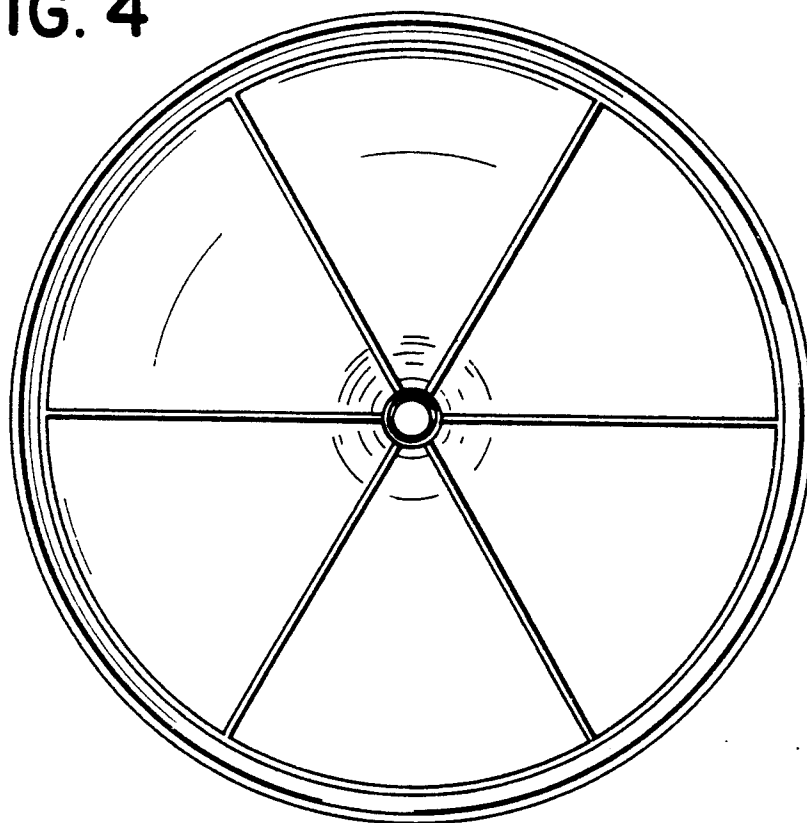


FIG. 5

