

(19) World Intellectual Property Organization  
International Bureau



(43) International Publication Date  
22 June 2006 (22.06.2006)

PCT

(10) International Publication Number  
WO 2006/064450 A3

(51) International Patent Classification:  
G06F 3/042 (2006.01)

(21) International Application Number:  
PCT/IB2005/054184

(22) International Filing Date:  
12 December 2005 (12.12.2005)

(25) Filing Language: English

(26) Publication Language: English

(30) Priority Data:  
04106625.9 16 December 2004 (16.12.2004) EP

(71) Applicant (for all designated States except US): **KONINKLIJKE PHILIPS ELECTRONICS N.V.** [NL/NL]; Groenewoudseweg 1, NL-5621 BA Eindhoven (NL).

(72) Inventors; and

(75) Inventors/Applicants (for US only): **WEIJERS, Aldegonda, L.** [NL/NL]; c/o Prof. Holstlaan 6, NL-5656 AA Eindhoven (NL). **BAUMER, Stefan, M., B.** [DE/NL]; c/o Prof. Holstlaan 6, NL-5656 AA Eindhoven (NL). **DUIJVE, Rene** [NL/NL]; c/o Prof. Holstlaan 6, NL-5656 AA Eindhoven (NL). **MIMNAGH, Winslow, M.** [US/NL]; c/o Prof. Holstlaan 6, NL-5656 AA Eindhoven (NL). **SCHEMMANN, Marcel, F., C.** [DE/NL]; c/o Prof. Holstlaan 6, NL-5656 AA Eindhoven (NL).

(74) Agents: **REINTS BOK, Wouter** et al.; Prof. Holstlaan 6, NL-5656 AA Eindhoven (NL).

(81) Designated States (unless otherwise indicated, for every kind of national protection available): AE, AG, AL, AM, AT, AU, AZ, BA, BB, BG, BR, BW, BY, BZ, CA, CH, CN, CO, CR, CU, CZ, DE, DK, DM, DZ, EC, EE, EG, ES, FI, GB, GD, GE, GH, GM, HR, HU, ID, IL, IN, IS, JP, KE, KG, KM, KN, KP, KR, KZ, LC, LK, LR, LS, LT, LU, LV, LY, MA, MD, MG, MK, MN, MW, MX, MZ, NA, NG, NI, NO, NZ, OM, PG, PH, PL, PT, RO, RU, SC, SD, SE, SG, SK, SL, SM, SY, TJ, TM, TN, TR, TT, TZ, UA, UG, US, UZ, VC, VN, YU, ZA, ZM, ZW.

(84) Designated States (unless otherwise indicated, for every kind of regional protection available): ARIPO (BW, GH, GM, KE, LS, MW, MZ, NA, SD, SL, SZ, TZ, UG, ZM, ZW), Eurasian (AM, AZ, BY, KG, KZ, MD, RU, TJ, TM), European (AT, BE, BG, CH, CY, CZ, DE, DK, EE, ES, FI, FR, GB, GR, HU, IE, IS, IT, LT, LU, LV, MC, NL, PL, PT, RO, SE, SI, SK, TR), OAPI (BF, BJ, CF, CG, CI, CM, GA, GN, GQ, GW, ML, MR, NE, SN, TD, TG).

**Declaration under Rule 4.17:**

— as to applicant's entitlement to apply for and be granted a patent (Rule 4.17(ii))

**Published:**

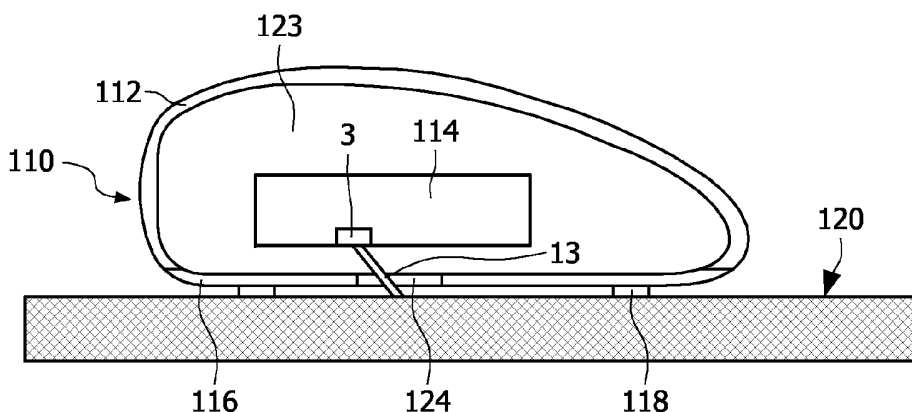
— with international search report

(88) Date of publication of the international search report:

31 August 2006

For two-letter codes and other abbreviations, refer to the "Guidance Notes on Codes and Abbreviations" appearing at the beginning of each regular issue of the PCT Gazette.

(54) Title: A RELATIVE MOVEMENT SENSOR WITH ENCLOSED HOUSING



(57) Abstract: An optical input device (110), such as a computer mouse or the like, in which the so-called self-mixing effect in a diode laser is used to measure relative movement of the device (110) relative to a surface (120). A housing (112) contains an optical measuring module (114) comprising a laser (3) and detector (4). The housing (112) fully encloses the optical measuring module (114) and comprises a base plate (116) having a transparent window (124) through which the surface (120) is illuminated by the measuring beam (13) and radiation reflected by the surface (120) can return to the laser cavity. Because the housing (112) is fully enclosed, no ESD shielding is required and the device can be made liquid-tight.

WO 2006/064450 A3

## INTERNATIONAL SEARCH REPORT

International application No

PCT/IB2005/054184

## A. CLASSIFICATION OF SUBJECT MATTER

INV. G06F3/042

According to International Patent Classification (IPC) or to both national classification and IPC

## B. FIELDS SEARCHED

Minimum documentation searched (classification system followed by classification symbols)

G06F

Documentation searched other than minimum documentation to the extent that such documents are included in the fields searched

Electronic data base consulted during the international search (name of data base and, where practical, search terms used)

EPO-Internal

## C. DOCUMENTS CONSIDERED TO BE RELEVANT

Category*	Citation of document, with indication, where appropriate, of the relevant passages	Relevant to claim No.
X	WO 03/102717 A (KONINKLIJKE PHILIPS ELECTRONICS N.V; LIESS, MARTIN, D; HEINKS, CARSTEN) 11 December 2003 (2003-12-11) page 12, line 1 - page 13, line 12 page 35, line 15 - line 17	1-10

 Further documents are listed in the continuation of Box C. See patent family annex.

## \* Special categories of cited documents :

"A" document defining the general state of the art which is not considered to be of particular relevance

"E" earlier document but published on or after the international filing date

"L" document which may throw doubts on priority claim(s) or which is cited to establish the publication date of another citation or other special reason (as specified)

"O" document referring to an oral disclosure, use, exhibition or other means

"P" document published prior to the international filing date but later than the priority date claimed

"T" later document published after the international filing date or priority date and not in conflict with the application but cited to understand the principle or theory underlying the invention

"X" document of particular relevance; the claimed invention cannot be considered novel or cannot be considered to involve an inventive step when the document is taken alone

"Y" document of particular relevance; the claimed invention cannot be considered to involve an inventive step when the document is combined with one or more other such documents, such combination being obvious to a person skilled in the art.

"&amp;" document member of the same patent family

Date of the actual completion of the international search

30 May 2006

Date of mailing of the international search report

07/06/2006

Name and mailing address of the ISA/

European Patent Office, P.B. 5818 Patentlaan 2  
NL - 2280 HV Rijswijk  
Tel. (+31-70) 340-2040, Tx. 31 651 epo nl,  
Fax: (+31-70) 340-3016

Authorized officer

Davenport, K

## INTERNATIONAL SEARCH REPORT

International application No

PCT/IB2005/054184

Patent document cited in search report	Publication date	Patent family member(s)	Publication date
WO 03102717	A	AU 2003232381 A1	19-12-2003
		CN 1659501 A	24-08-2005
		JP 2005528682 T	22-09-2005
		US 2005243053 A1	03-11-2005

---