



- (51) International Patent Classification:
G01N 21/88 (2006.01) G01N 21/01 (2006.01)
- (21) International Application Number:
PCT/US2012/023205
- (22) International Filing Date:
30 January 2012 (30.01.2012)
- (25) Filing Language: English
- (26) Publication Language: English
- (30) Priority Data:
13/073,986 28 March 2011 (28.03.2011) US
- (71) Applicant (for all designated States except US): **KLA-TENCOR CORPORATION** [US/US]; Legal Department, One Technology Drive, Milpitas, California 95035 (US).
- (72) Inventors; and
- (75) Inventors/Applicants (for US only): **CHUANG, Yung-Ho, Alex** [US/US]; 10678 Farallone Drive, Cupertino, California 95014 (US). **LEVINSKI, Vladimir** [IL/IL];

Ad-Ad St. 21/1, 17790 Nazareth-Ilit (IL). **LIU, Xuefeng** [CN/US]; 4420 Albany Drive #78, San Jose, California 95129 (US). **FIELDEN, John** [US/US]; 2020 Victoria Court, Los Altos, California 94024 (US).

(74) Agent: **MCANDREWS, Kevin**; Kla-Tencor Corporation, Legal Department, One Technology Drive, Milpitas, California 95035 (US).

(81) Designated States (unless otherwise indicated, for every kind of national protection available): AE, AG, AL, AM, AO, AT, AU, AZ, BA, BB, BG, BH, BR, BW, BY, BZ, CA, CH, CL, CN, CO, CR, CU, CZ, DE, DK, DM, DO, DZ, EC, EE, EG, ES, FI, GB, GD, GE, GH, GM, GT, HN, HR, HU, ID, IL, IN, IS, JP, KE, KG, KM, KN, KP, KR, KZ, LA, LC, LK, LR, LS, LT, LU, LY, MA, MD, ME, MG, MK, MN, MW, MX, MY, MZ, NA, NG, NI, NO, NZ, OM, PE, PG, PH, PL, PT, QA, RO, RS, RU, RW, SC, SD, SE, SG, SK, SL, SM, ST, SV, SY, TH, TJ, TM, TN, TR, TT, TZ, UA, UG, US, UZ, VC, VN, ZA, ZM, ZW.

(84) Designated States (unless otherwise indicated, for every kind of regional protection available): ARIPO (BW, GH,

[Continued on next page]

(54) Title: ILLUMINATING A SPECIMEN FOR METROLOGY OR INSPECTION

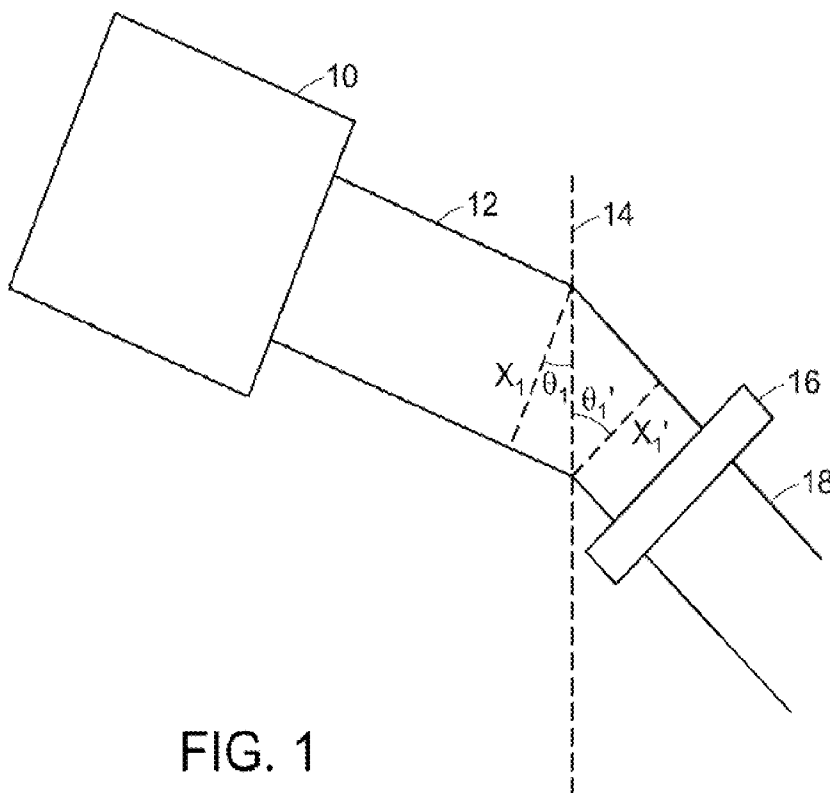


FIG. 1

(57) Abstract: Illumination subsystems of a metrology or inspection system, metrology systems, inspection systems, and methods for illuminating a specimen for metrology measurements or for inspection are provided.





GM, KE, LR, LS, MW, MZ, NA, RW, SD, SL, SZ, TZ, UG, ZM, ZW), Eurasian (AM, AZ, BY, KG, KZ, MD, RU, TJ, TM), European (AL, AT, BE, BG, CH, CY, CZ, DE, DK, EE, ES, FI, FR, GB, GR, HR, HU, IE, IS, IT, LT, LU, LV, MC, MK, MT, NL, NO, PL, PT, RO, RS, SE, SI, SK, SM, TR), OAPI (BF, BJ, CF, CG, CI, CM, GA, GN, GQ, GW, ML, MR, NE, SN, TD, TG).

Published:

— *with international search report (Art. 21(3))*

(88) Date of publication of the international search report:

14 March 2013

A. CLASSIFICATION OF SUBJECT MATTER*G01N 21/88(2006.01)i, G01N 21/01(2006.01)i*

According to International Patent Classification (IPC) or to both national classification and IPC

B. FIELDS SEARCHED

Minimum documentation searched (classification system followed by classification symbols)

G01N 21/88; G02B 3/00; G01N 21/53; G02B 27/42; G01N 21/00; G01N 21/47; G02F 1/01

Documentation searched other than minimum documentation to the extent that such documents are included in the fields searched

Korean utility models and applications for utility models

Japanese utility models and applications for utility models

Electronic data base consulted during the international search (name of data base and, where practicable, search terms used)

eKOMPASS(KIPO internal) & Keywords: coherence pulse light, laser, dispersive, scatter, temporal, spatial, diffraction, grating

C. DOCUMENTS CONSIDERED TO BE RELEVANT

Category*	Citation of document, with indication, where appropriate, of the relevant passages	Relevant to claim No.
X	WO 2010-037106 A2 (KLA-TENCOR CORPORATION et al.) 01 April 2010	1,7-9,13-27
Y	See the abstract, page 3, line 21 - line 26, page 9, line 1 - line 18, page 17, line 19 - line 30, page 20 - page 23, and figs.1-9.	3,4,11
A		2,5-6,10,12
Y	US 7436503 B1 (CHEN GRACE HSIU-LING et al.) 14 October 2008	3,4,11
A	See the abstract, column 2, line 19 - line 37, column 5, line 52 - line 64, column 6, line 47 - column 7, line 3, and figs.2,3.	1-2,5-10,12-27
A	US 7423818 B2 (HEMENWAY DAVID MARTIN et al.) 09 September 2008	1-27
	See the abstract, figs.1,2,5.	
A	US 2009-0290156 A1 (POPESCU GABRIEL et al.) 26 November 2009	1-27
	See the abstract, figs.1,6.	

 Further documents are listed in the continuation of Box C. See patent family annex.

* Special categories of cited documents:

"A" document defining the general state of the art which is not considered to be of particular relevance

"E" earlier application or patent but published on or after the international filing date

"L" document which may throw doubts on priority claim(s) or which is cited to establish the publication date of citation or other special reason (as specified)

"O" document referring to an oral disclosure, use, exhibition or other means

"P" document published prior to the international filing date but later than the priority date claimed

"T" later document published after the international filing date or priority date and not in conflict with the application but cited to understand the principle or theory underlying the invention

"X" document of particular relevance; the claimed invention cannot be considered novel or cannot be considered to involve an inventive step when the document is taken alone

"Y" document of particular relevance; the claimed invention cannot be considered to involve an inventive step when the document is combined with one or more other such documents, such combination being obvious to a person skilled in the art

"&" document member of the same patent family

Date of the actual completion of the international search

22 NOVEMBER 2012 (22.11.2012)

Date of mailing of the international search report

23 NOVEMBER 2012 (23.11.2012)

Name and mailing address of the ISA/KR

Korean Intellectual Property Office
189 Cheongsa-ro, Seo-gu, Daejeon Metropolitan
City, 302-701, Republic of Korea

Facsimile No. 82-42-472-7140

Authorized officer

KANG, Min Sug

Telephone No. 82-42-481-8720



INTERNATIONAL SEARCH REPORT

Information on patent family members

International application No.

PCT/US2012/023205

Patent document cited in search report	Publication date	Patent family member(s)	Publication date
WO 2010-037106 A2	01.04.2010	JP 2012-504246 A KR 10-2011-0079704 A US 2011-228263 A1 US 2011-279819 A1 WO 2010-037106 A3	16.02.2012 07.07.2011 22.09.2011 17.11.2011 10.06.2010
US 7436503 B1	14.10.2008	None	
US 7423818 B2	09.09.2008	CN 101223628 A0 DE 112006001869 T5 GB 0802259 D0 GB 2442677 A GB 2442677 B JP 2009-501088 A KR 10-2008-0026163 A US 2007-0012667 A1 WO 2007-011604 A1	16.07.2008 15.05.2008 12.03.2008 09.04.2008 09.02.2011 15.01.2009 24.03.2008 18.01.2007 25.01.2007
US 2009-0290156 A1	26.11.2009	US 8184298 B2	22.05.2012