

REVISED VERSION

(19) World Intellectual Property Organization
International Bureau



(10) International Publication Number
WO 2013/102780 A9

(43) International Publication Date
11 July 2013 (11.07.2013)

- (51) International Patent Classification: *H02M 1/00* (2007.01)
- (21) International Application Number: PCT/IB2012/000163
- (22) International Filing Date: 5 January 2012 (05.01.2012)
- (25) Filing Language: English
- (26) Publication Language: English
- (71) Applicant (for all designated States except US): AMERICAN POWER CONVERSION CORPORATION [US/US]; 132 Fairgrounds Road, West Kingston, Rhode Island 02892 (US).
- (72) Inventor; and
- (75) Inventor/Applicant (for US only): BERARD, Olivier [FR/FR]; 43 Allée Jean Pain, F-38340 Voreppe (FR).
- (74) Agents: CABINET MURGITROYD et al.; Immeuble Atlantis, 55 Allée Pierre Ziller, F-06560 Valbonne Sophia Antipolis (FR).

- (81) Designated States (unless otherwise indicated, for every kind of national protection available): AE, AG, AL, AM, AO, AT, AU, AZ, BA, BB, BG, BH, BR, BW, BY, BZ, CA, CH, CL, CN, CO, CR, CU, CZ, DE, DK, DM, DO, DZ, EC, EE, EG, ES, FI, GB, GD, GE, GH, GM, GT, HN, HR, HU, ID, IL, IN, IS, JP, KE, KG, KM, KN, KP, KR, KZ, LA, LC, LK, LR, LS, LT, LU, LY, MA, MD, ME, MG, MK, MN, MW, MX, MY, MZ, NA, NG, NI, NO, NZ, OM, PE, PG, PH, PL, PT, QA, RO, RS, RU, RW, SC, SD, SE, SG, SK, SL, SM, ST, SV, SY, TH, TJ, TM, TN, TR, TT, TZ, UA, UG, US, UZ, VC, VN, ZA, ZM, ZW.
- (84) Designated States (unless otherwise indicated, for every kind of regional protection available): ARIPO (BW, GH, GM, KE, LR, LS, MW, MZ, NA, RW, SD, SL, SZ, TZ, UG, ZM, ZW), Eurasian (AM, AZ, BY, KG, KZ, MD, RU, TJ, TM), European (AL, AT, BE, BG, CH, CY, CZ, DE, DK, EE, ES, FI, FR, GB, GR, HR, HU, IE, IS, IT, LT, LU, LV, MC, MK, MT, NL, NO, PL, PT, RO, RS, SE, SI, SK, SM, TR), OAPI (BF, BJ, CF, CG, CI, CM, GA, GN, GQ, GW, ML, MR, NE, SN, TD, TG).

Published:
— with international search report (Art. 21(3))

[Continued on next page]

(54) Title: POWER CONVERTER WITH DIGITAL CURRENT CONTROL CIRCUIT

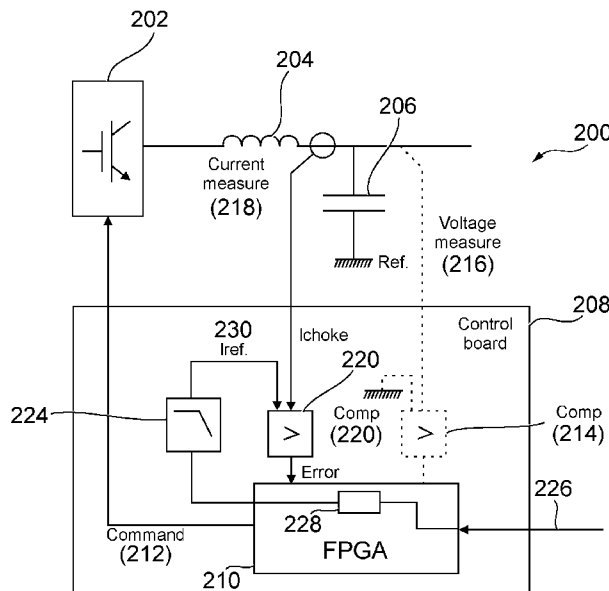


Fig. 2

(57) Abstract: A current control circuit (208) for a power converter (200) to control the switching thereof, wherein the current control circuit comprises a digital controller (210) using a logical input signal (226) to produce a logical control signal (212) with a fixed fundamental frequency for the power converter.

WO 2013/102780 A9

(88) Date of publication of the revised international search report:

(15) Information about Correction:
see Notice of 6 November 2014

6 November 2014

INTERNATIONAL SEARCH REPORT

International application No PCT/IB2012/000163
--

A. CLASSIFICATION OF SUBJECT MATTER INV. H02M1/00 ADD.		
According to International Patent Classification (IPC) or to both national classification and IPC		
B. FIELDS SEARCHED		
Minimum documentation searched (classification system followed by classification symbols) H02M		
Documentation searched other than minimum documentation to the extent that such documents are included in the fields searched		
Electronic data base consulted during the international search (name of data base and, where practicable, search terms used) EPO-Internal		
C. DOCUMENTS CONSIDERED TO BE RELEVANT		
Category*	Citation of document, with indication, where appropriate, of the relevant passages	Relevant to claim No.
X	MAKSIMOVIC D ET AL: "Impact of digital control in power electronics", POWER SEMICONDUCTOR DEVICES AND ICS, 2004. PROCEEDINGS. ISPSD '04. THE 16TH INTERNATIONAL SYMPOSIUM ON KITAKYUSHU INT. CONF. CTR, JAPAN MAY 24-27, 2004, PISCATAWAY, NJ, USA, IEEE, 24 May 2004 (2004-05-24), pages 13-22, XP010723317, ISBN: 978-4-88686-060-6 the whole document <div style="text-align: center; margin-top: 10px;">----- -/--</div>	1-21
<input checked="" type="checkbox"/> Further documents are listed in the continuation of Box C. <input checked="" type="checkbox"/> See patent family annex.		
* Special categories of cited documents :		
"A" document defining the general state of the art which is not considered to be of particular relevance "E" earlier application or patent but published on or after the international filing date "L" document which may throw doubts on priority claim(s) or which is cited to establish the publication date of another citation or other special reason (as specified) "O" document referring to an oral disclosure, use, exhibition or other means "P" document published prior to the international filing date but later than the priority date claimed	"T" later document published after the international filing date or priority date and not in conflict with the application but cited to understand the principle or theory underlying the invention "X" document of particular relevance; the claimed invention cannot be considered novel or cannot be considered to involve an inventive step when the document is taken alone "Y" document of particular relevance; the claimed invention cannot be considered to involve an inventive step when the document is combined with one or more other such documents, such combination being obvious to a person skilled in the art "&" document member of the same patent family	
Date of the actual completion of the international search 28 July 2014	Date of mailing of the international search report 01/08/2014	
Name and mailing address of the ISA/ European Patent Office, P.B. 5818 Patentlaan 2 NL - 2280 HV Rijswijk Tel. (+31-70) 340-2040, Fax: (+31-70) 340-3016	Authorized officer Jansen, Helma	

INTERNATIONAL SEARCH REPORT

International application No

PCT/IB2012/000163

C(Continuation). DOCUMENTS CONSIDERED TO BE RELEVANT		
Category*	Citation of document, with indication, where appropriate, of the relevant passages	Relevant to claim No.
X	<p>PENG H ET AL: "Digital current-mode controller for DC-DC converters", APPLIED POWER ELECTRONICS CONFERENCE AND EXPOSITION, 2005. APEC 2005. TWENTIETH ANNUAL IEEE AUSTIN, TX, USA 6-10 MARCH 2005, PISCATAWAY, NJ, USA, IEEE, US, vol. 2, 6 March 2005 (2005-03-06), pages 899-905 Vol.2, XP010809342, DOI: 10.1109/APEC.2005.1453091 ISBN: 978-0-7803-8975-5 the whole document</p>	1-21
X	<p>"STCF03 High power white LED driver with I2C Interface", STMicroelectronics Datasheet, 1 February 2011 (2011-02-01), XP002689404, Retrieved from the Internet: URL:http://www.st.com/internet/com/TECHNICAL_RESOURCES/TECHNICAL_LITERATURE/DATASHEETS/CD00150946.pdf [retrieved on 2012-12-17] the whole document</p>	1-21
X	<p>"Intelligent power supply design solutions Brochure", Microchip 2011, page 1-16, XP002689405, Retrieved from the Internet: URL:http://ww1.microchip.com/downloads/en/DeviceDoc/01240e.pdf [retrieved on 2012-12-17] the whole document</p>	1-21
X	<p>US 2004/189251 A1 (KUTKUT NASSER H [US] ET AL) 30 September 2004 (2004-09-30) the whole document</p>	1-21

INTERNATIONAL SEARCH REPORT

Information on patent family members

International application No
PCT/IB2012/000163

Patent document cited in search report	Publication date	Patent family member(s)	Publication date
US 2004189251	A1	NONE	
