



US00D827850S

(12) **United States Design Patent**  
**Pounders**

(10) **Patent No.:** **US D827,850 S**

(45) **Date of Patent:** **\*\* Sep. 4, 2018**

- (54) **ADULT TOY**
- (71) Applicant: **MB Technologies LLC**, Sanford, NC (US)
- (72) Inventor: **John Pounders**, Nashville, TN (US)
- (73) Assignee: **MB Technologies LLC**, Santa Fe, NM (US)
- (\*\*) Term: **15 Years**
- (21) Appl. No.: **29/610,914**

D795,445	S *	8/2017	Marshall	.....	D24/215
9,844,486	B2 *	12/2017	Lee	.....	A61H 19/44
D817,507	S *	5/2018	Cheung	.....	D24/215
D818,142	S *	5/2018	Cheung	.....	D24/215
D818,143	S *	5/2018	Cheung	.....	D24/215
2008/0119767	A1 *	5/2008	Berry	.....	A61H 19/34
					601/46
2009/0093673	A1 *	4/2009	Lee	.....	A61H 19/34
					600/38
2011/0034837	A1 *	2/2011	Lee	.....	A61H 19/44
					601/46
2012/0215141	A1 *	8/2012	Peddicord	.....	A61H 19/00
					601/46

(Continued)

- (22) Filed: **Jul. 17, 2017**
- (51) **LOC (11) Cl.** ..... **28-03**
- (52) **U.S. Cl.**  
USPC ..... **D24/215**
- (58) **Field of Classification Search**  
USPC ..... 601/15, 18, 19, 46, 47, 48, 52, 99, 112,  
601/113, 118, 135, 137, DIG. 12,  
601/DIG. 14, DIG. 15, DIG. 16, DIG. 17;  
D24/200, 211, 212, 213, 214, 215;  
600/38  
CPC ..... A61H 19/34; A61H 19/40; A61H 19/44;  
A61H 19/50; A61H 2201/0134; A61H  
2201/1645; A61H 23/02; A61H 23/0263  
See application file for complete search history.

(56) **References Cited**

**U.S. PATENT DOCUMENTS**

6,190,307	B1 *	2/2001	Tsai	.....	A61H 19/34
					600/38
D652,526	S *	1/2012	Peddicord	.....	D24/215
D670,398	S *	11/2012	Peddicord	.....	D24/215
D670,399	S *	11/2012	Peddicord	.....	D24/215
D693,936	S *	11/2013	Chen	.....	D24/215
D739,547	S *	9/2015	Cheung	.....	D24/215
D739,548	S *	9/2015	Cheung	.....	D24/215
D743,570	S *	11/2015	Cheung	.....	D24/215
D758,604	S *	6/2016	Brinberg	.....	D24/215
D771,830	S *	11/2016	Sedic	.....	D24/215

**OTHER PUBLICATIONS**

Motorbunny, "Premium Silicone Bunny Buddy Attachment", Mar. 10, 2017. <https://motorbunny.com/collections/attachments/products/copy-of-premium-silicone-bunny-buddy-attachment>. Shown on p. 1. (Year: 2017).\*

*Primary Examiner* — Cynthia Ramirez  
*Assistant Examiner* — Michael A Maharajh

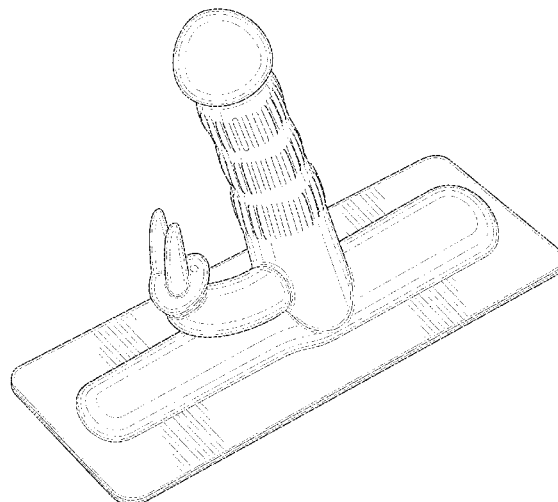
(57) **CLAIM**

I claim the ornamental design for an adult toy, as shown and described.

**DESCRIPTION**

FIG. 1 is a top perspective view of an adult toy showing my new design.  
FIG. 2 is a right side view thereof.  
FIG. 3 is a left side view thereof.  
FIG. 4 is a front side view thereof.  
FIG. 5 is a rear side view thereof.  
FIG. 6 is a top plan view thereof; and,  
FIG. 7 is a bottom plan view thereof.  
The broken lines shown in FIG. 7 are for the purpose of illustrating portions of the adult toy, which form no part of the claimed design.

**1 Claim, 7 Drawing Sheets**



(56)

**References Cited**

U.S. PATENT DOCUMENTS

2014/0088350	A1*	3/2014	Nan	.....	A61H 19/34	600/38
2016/0008218	A1*	1/2016	Murison	.....	A61H 19/34	601/46
2016/0015596	A1*	1/2016	Murison	.....	A61H 23/0263	600/38
2016/0045392	A1*	2/2016	Massey	.....	A61H 23/02	601/46
2018/0071167	A1*	3/2018	Lee	.....	A61H 19/44	

\* cited by examiner

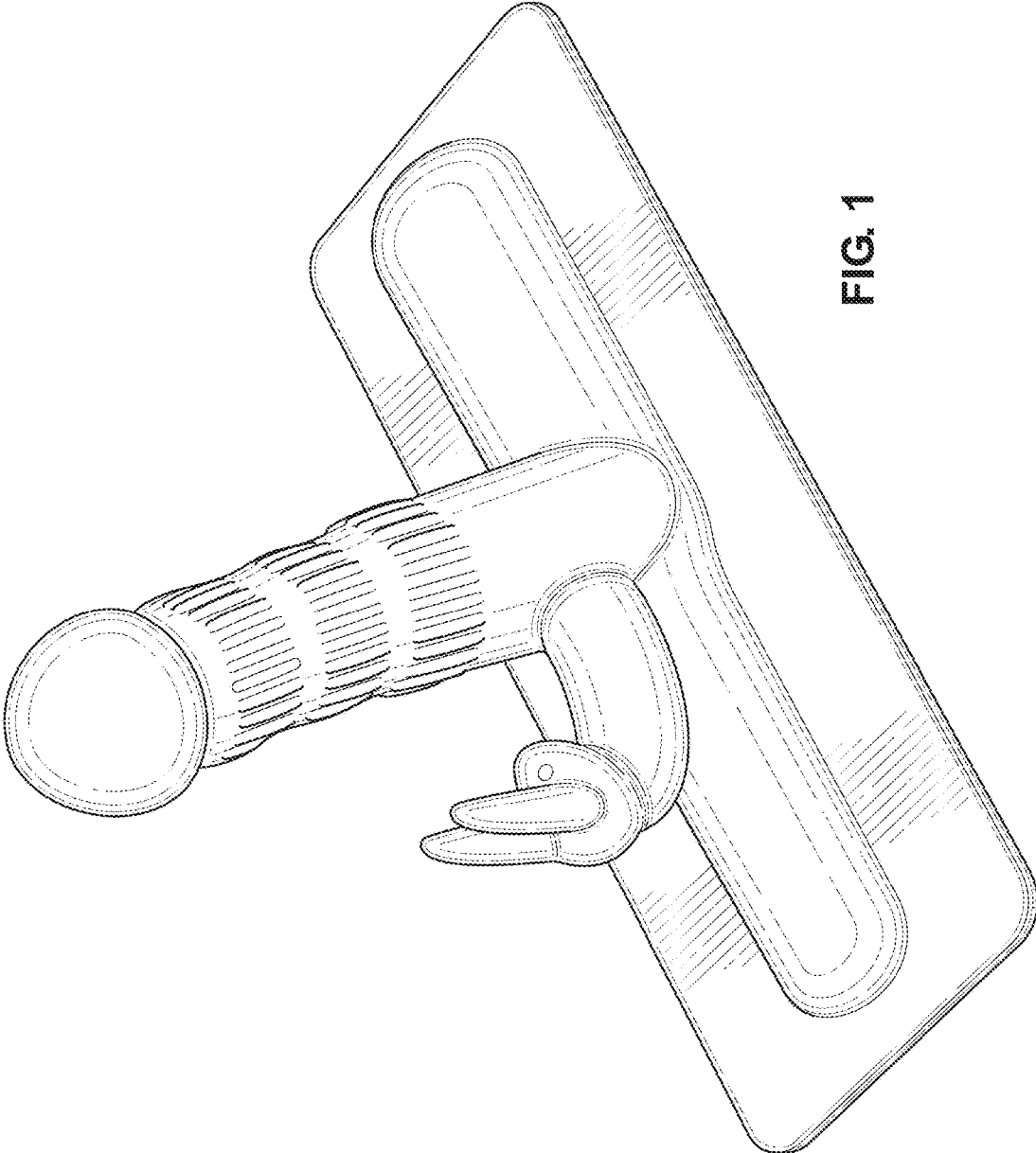


FIG. 1

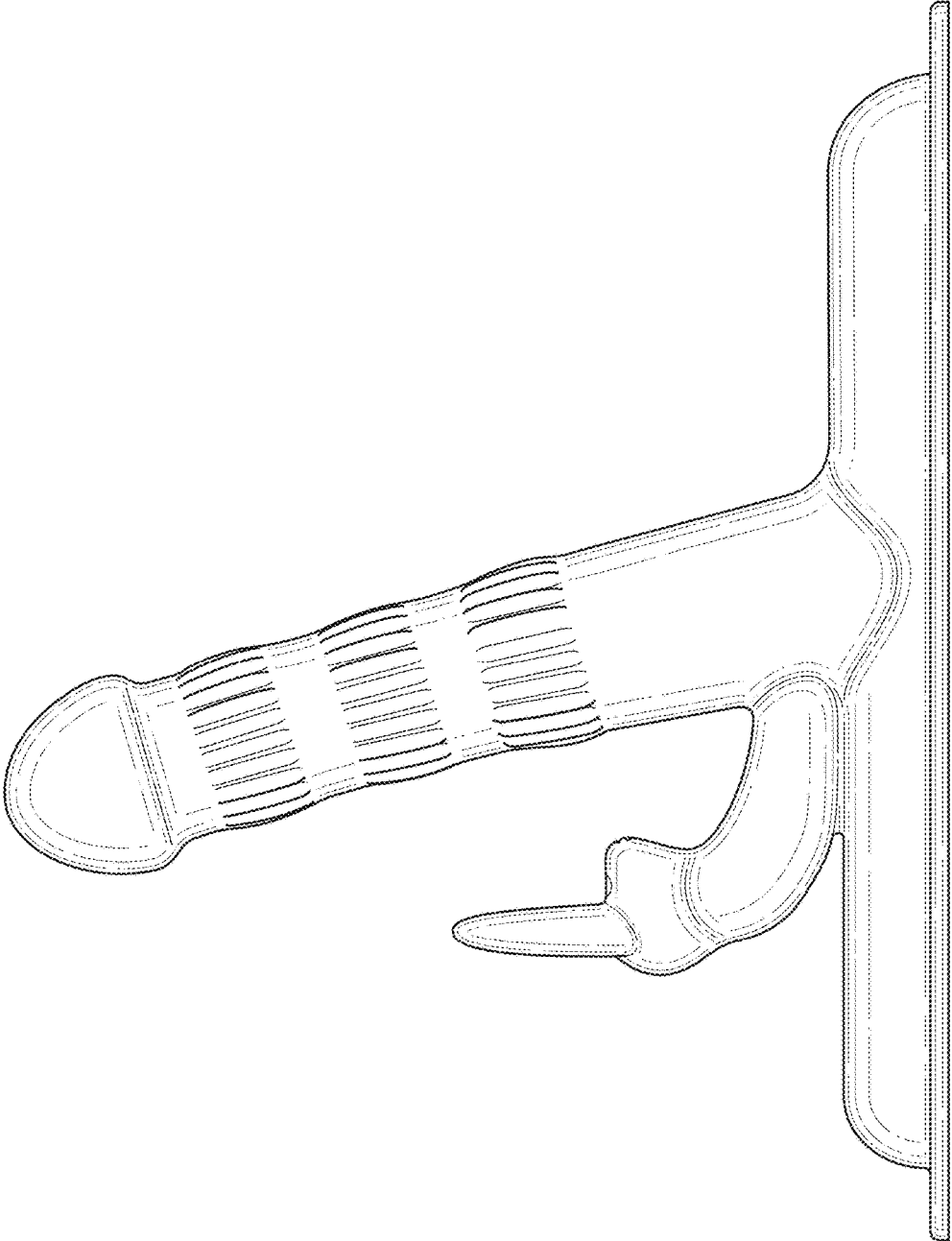


FIG. 2

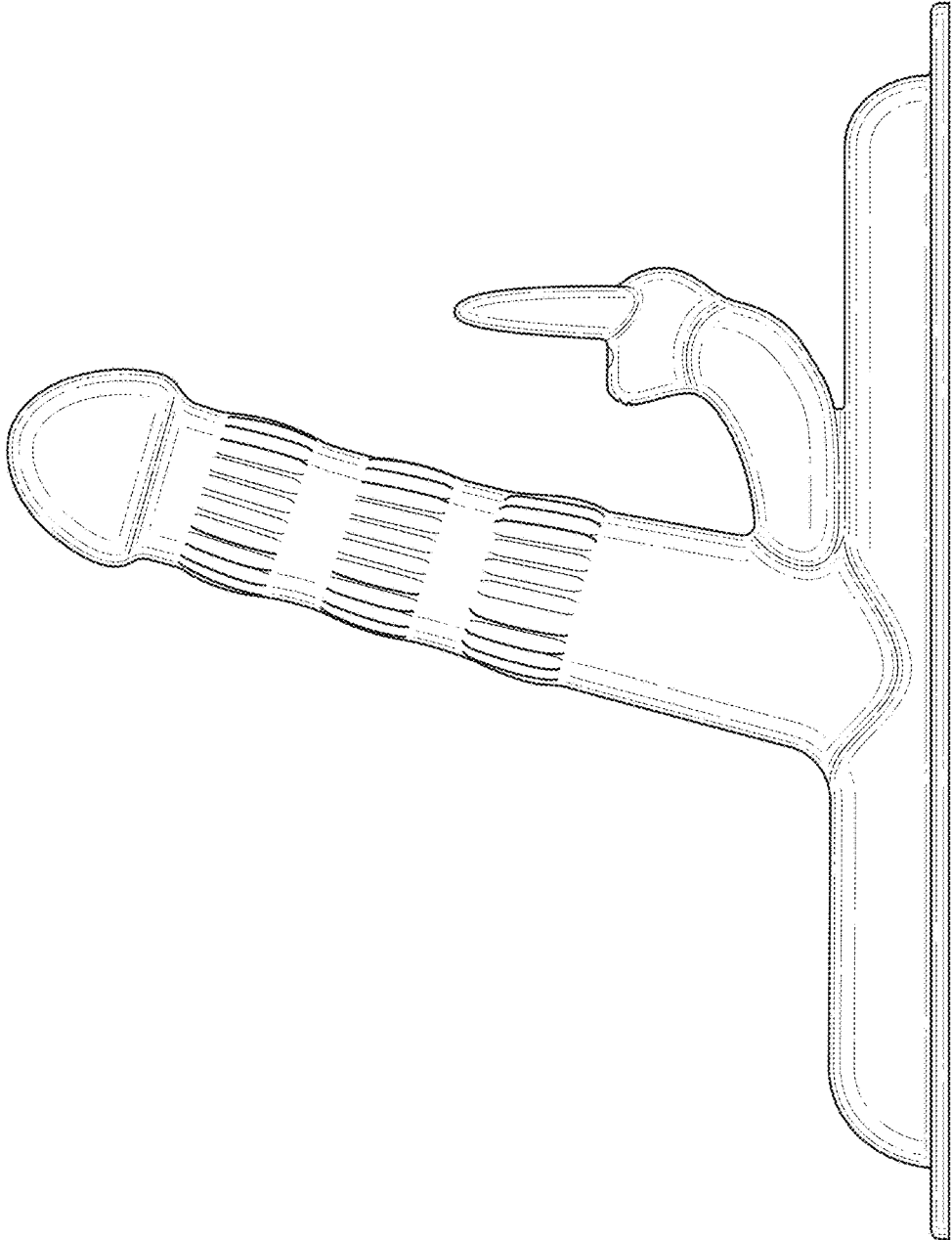


FIG. 3

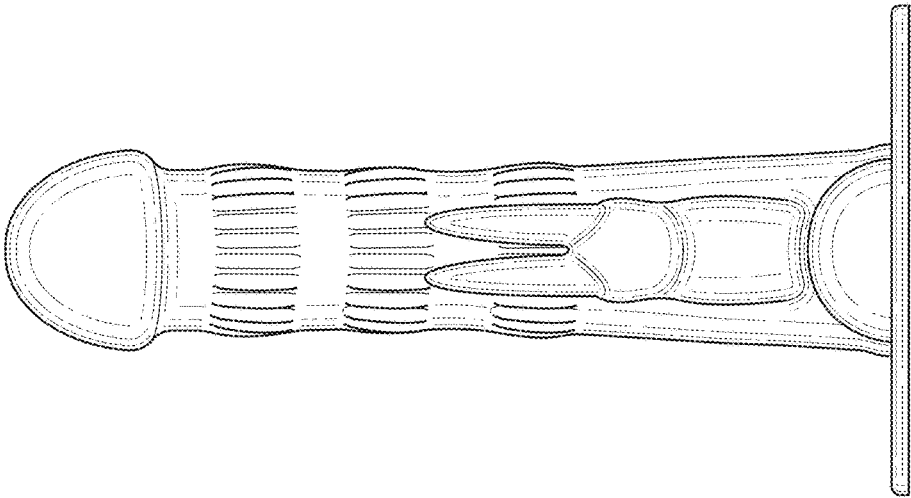


FIG. 4

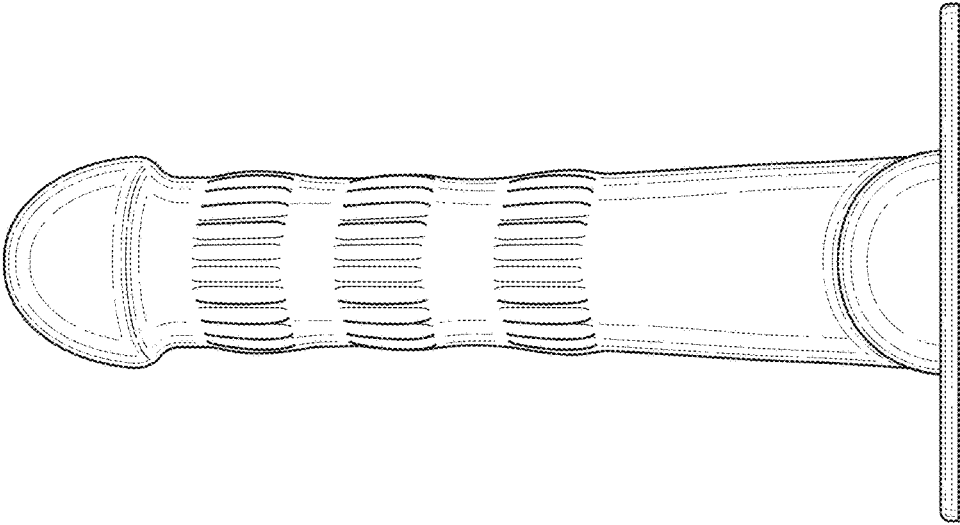


FIG. 5

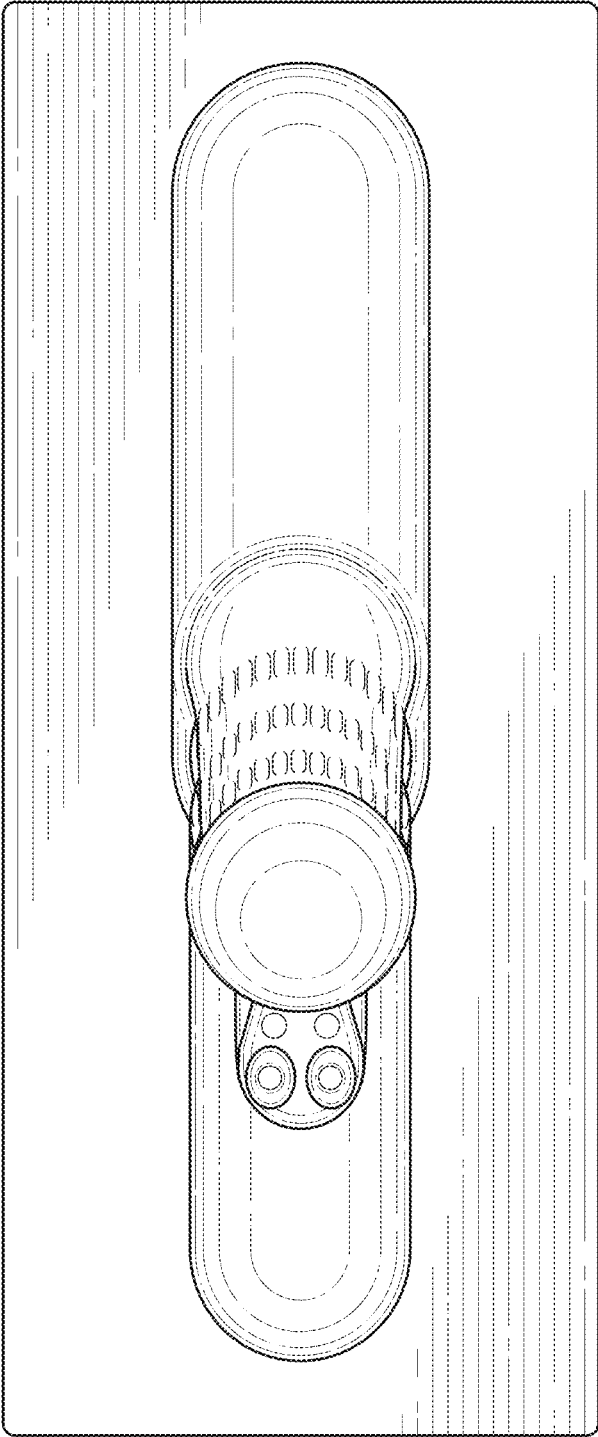


FIG. 6



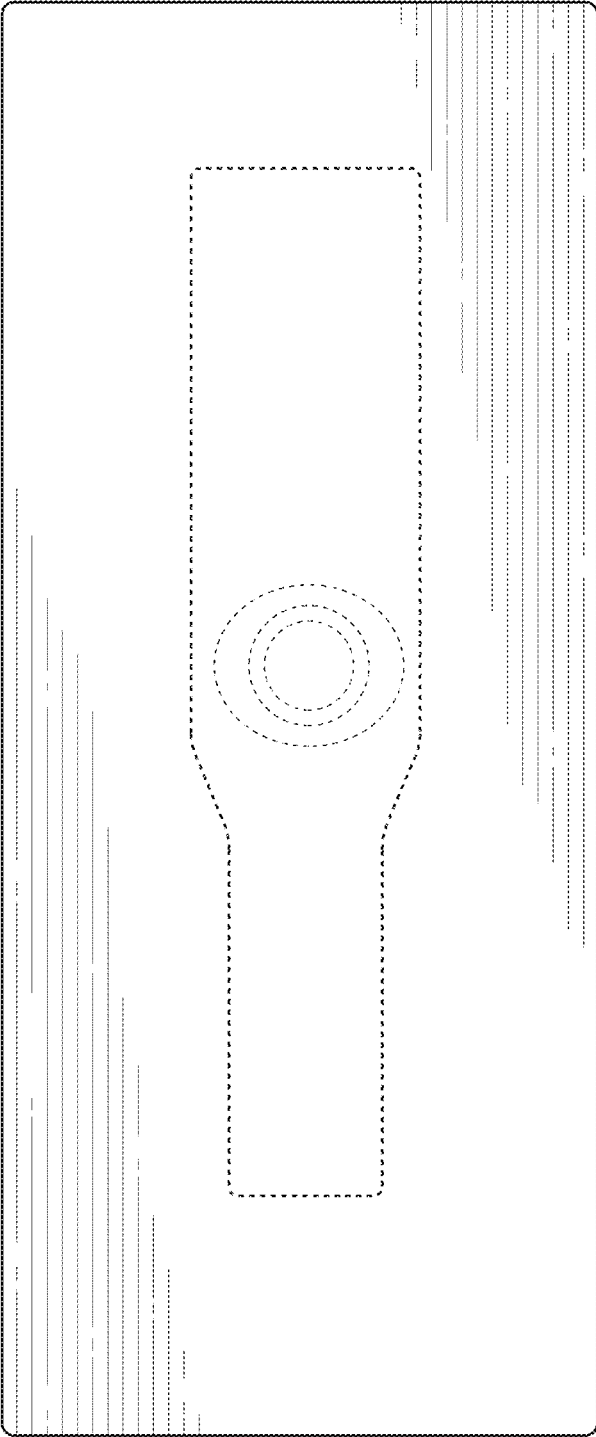


FIG. 7