

(19) World Intellectual Property Organization
International Bureau



(43) International Publication Date
29 October 2009 (29.10.2009)

PCT

(10) International Publication Number
WO 2009/132166 A3

- (51) **International Patent Classification:**
E04B 1/348 (2006.01) E04B 1/02 (2006.01)
E04B 1/343 (2006.01)
- (21) **International Application Number:**
PCT/US2009/041490
- (22) **International Filing Date:**
23 April 2009 (23.04.2009)
- (25) **Filing Language:** English
- (26) **Publication Language:** English
- (30) **Priority Data:**
12/148,914 23 April 2008 (23.04.2008) US
- (71) **Applicant (for all designated States except US):** MODULAR CONTAINER SOLUTIONS LLC [US/US]; 601 NE 36th St., Suite 3207, Miami, FL 33173 (US).
- (72) **Inventors; and**
- (75) **Inventors/Applicants (for US only):** GYORY, Janus, B. [US/US]; C/o Modular Container Solutions LLC, 601 Ne 36th St., Suite 3207, Miami, FL 33173 (US). GYORY, Istvan [VE/US]; C/o Modular Container Solutions LLC, 601 Ne 36th St., Suite 3207, Miami, FL 33173 (US).
- (74) **Agents:** BIRD, John, M. et al.; Sughrue Mion, PLLC, 2100 Pennsylvania Ave., N.W., Suite 800, Washington, DC 20037-3213 (US).

(81) **Designated States** (unless otherwise indicated, for every kind of national protection available): AE, AG, AL, AM, AO, AT, AU, AZ, BA, BB, BG, BH, BR, BW, BY, BZ, CA, CH, CN, CO, CR, CU, CZ, DE, DK, DM, DO, DZ, EC, EE, EG, ES, FI, GB, GD, GE, GH, GM, GT, HN, HR, HU, ID, IL, IN, IS, JP, KE, KG, KM, KN, KP, KR, KZ, LA, LC, LK, LR, LS, LT, LU, LY, MA, MD, ME, MG, MK, MN, MW, MX, MY, MZ, NA, NG, NI, NO, NZ, OM, PG, PH, PL, PT, RO, RS, RU, SC, SD, SE, SG, SK, SL, SM, ST, SV, SY, TJ, TM, TN, TR, TT, TZ, UA, UG, US, UZ, VC, VN, ZA, ZM, ZW.

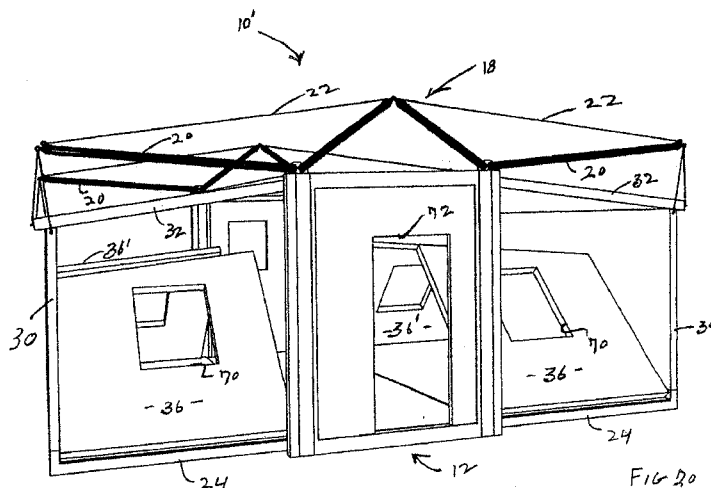
(84) **Designated States** (unless otherwise indicated, for every kind of regional protection available): ARIPO (BW, GH, GM, KE, LS, MW, MZ, NA, SD, SL, SZ, TZ, UG, ZM, ZW), Eurasian (AM, AZ, BY, KG, KZ, MD, RU, TJ, TM), European (AT, BE, BG, CH, CY, CZ, DE, DK, EE, ES, FI, FR, GB, GR, HR, HU, IE, IS, IT, LT, LU, LV, MC, MK, MT, NL, NO, PL, PT, RO, SE, SI, SK, TR), OAPI (BF, BJ, CF, CG, CI, CM, GA, GN, GQ, GW, ML, MR, NE, SN, TD, TG).

Published:

- with international search report (Art. 21(3))
- before the expiration of the time limit for amending the claims and to be republished in the event of receipt of amendments (Rule 48.2(h))

[Continued on next page]

(54) **Title:** A MODULAR ASSEMBLY



(57) **Abstract:** A modular assembly structured to assume either a shipping container configuration or a building unit configuration including a frame comprising a plurality of support members and defining both a part of the building unit configuration and shipping unit configuration. A plurality of frame panels are movably connected to the frame and disposable in either a closed position or an opened position so as to respectively and at least partially define either the shipping unit configuration or the building unit configuration. The plurality of unit panels are movably connected to the frame and disposable outwardly therefrom to collectively define end wall portions and ceiling portions of the building unit configuration wherein the unit panels may be stored within the interior of the frame. An erection assembly is selectively disposable in an assembled position exteriorly of the frame and supported thereon so as to facilitate the assembly of at least some of the frame panels and/or unit panels.



WO 2009/132166 A3

(88) Date of publication of the international search report:
17 December 2009

INTERNATIONAL SEARCH REPORT

International application No.
PCT/US2009/041490**A. CLASSIFICATION OF SUBJECT MATTER***E04B 1/348(2006.01)i, E04B 1/343(2006.01)i, E04B 1/02(2006.01)i*

According to International Patent Classification (IPC) or to both national classification and IPC

B. FIELDS SEARCHED

Minimum documentation searched (classification system followed by classification symbols)

IPC 8: E04B 1/348

Documentation searched other than minimum documentation to the extent that such documents are included in the fields searched

Korean utility models and applications for utility models since 1975
Japanese utility models and applications for utility models since 1975

Electronic data base consulted during the international search (name of data base and, where practicable, search terms used)

eKIPASS(KIPO internal) "modular", "unit", "building"

C. DOCUMENTS CONSIDERED TO BE RELEVANT

Category*	Citation of document, with indication, where appropriate, of the relevant passages	Relevant to claim No.
A	JP 09032325 A (KUKDONG CORP.) 04 February 1997 see the all Claims and the Fig 1	1-24
A	JP 2004084310 A (JUNGSU CORP.) 18 March 2004 see the Claim 1	1-24
A	KR 1020010089315 A (STOODLEY, WILLIUAM, RICHARD, CHARLES) 29 September 2001 see the Fig 2, Claim 1	1-24
A	KR 1020030008723 A (MOON, SUKJOO) 29 January 2003 see the whole document.	1-24

 Further documents are listed in the continuation of Box C. See patent family annex.

* Special categories of cited documents:

"A" document defining the general state of the art which is not considered to be of particular relevance

"E" earlier application or patent but published on or after the international filing date

"L" document which may throw doubts on priority claim(s) or which is cited to establish the publication date of citation or other special reason (as specified)

"O" document referring to an oral disclosure, use, exhibition or other means

"P" document published prior to the international filing date but later than the priority date claimed

"T" later document published after the international filing date or priority date and not in conflict with the application but cited to understand the principle or theory underlying the invention

"X" document of particular relevance; the claimed invention cannot be considered novel or cannot be considered to involve an inventive step when the document is taken alone

"Y" document of particular relevance; the claimed invention cannot be considered to involve an inventive step when the document is combined with one or more other such documents, such combination being obvious to a person skilled in the art

"&" document member of the same patent family

Date of the actual completion of the international search

28 OCTOBER 2009 (28.10.2009)

Date of mailing of the international search report

28 OCTOBER 2009 (28.10.2009)

Name and mailing address of the ISA/KR

Korean Intellectual Property Office
Government Complex-Daejeon, 139 Seonsa-ro, Seo-
gu, Daejeon 302-701, Republic of Korea

Facsimile No. 82-42-472-7140

Authorized officer

LEE, Won Jae

Telephone No. 82-42-481-8449



INTERNATIONAL SEARCH REPORT

Information on patent family members

International application No.

PCT/US2009/041490

Patent document cited in search report	Publication date	Patent family member(s)	Publication date
JP 09-032325	04.02.1997	JP 09-032325 JP 9032325 A	04.02.1997 04.02.1997
JP 2004-084310	18.03.2004	JP 2004-084310 A	18.03.2004
KR 10-2001-0089315	29.09.2001	AT 292717 T AU 1999-63558 A1 AU 6355899 A DE 69924633 D1 DE 69924633 T2 EP 1123449 A1 EP 1123449 B1 EP 1123449 A1 EP 1123449 B1 GB 9822784 D0 US 6658799 US 6658799 B1 WO 00-23666 A1	15.04.2005 08.05.2000 08.05.2000 12.05.2005 19.01.2006 16.08.2001 06.04.2005 16.08.2001 06.04.2005 16.12.1998 09.12.2003 09.12.2003 27.04.2000
KR 10-2003-0008723	29.01.2003	KR 2003008723 A	29.01.2003