

(19) World Intellectual Property Organization
International Bureau



(43) International Publication Date
10 July 2008 (10.07.2008)

PCT

(10) International Publication Number
WO 2008/083100 A3

- (51) **International Patent Classification:**
A61B 18/18 (2006.01)
- (21) **International Application Number:**
PCT/US2007/088639
- (22) **International Filing Date:**
21 December 2007 (21.12.2007)
- (25) **Filing Language:** English
- (26) **Publication Language:** English
- (30) **Priority Data:**
11/647,346 29 December 2006 (29.12.2006) US
- (71) **Applicant (for all designated States except US):** ST. JUDE MEDICAL, ATRIAL FIBRILLATION DIVISION, INC. [US/US]; 14901 DeVeau Place, Minnetonka, Minnesota 55345-2126 (US).
- (72) **Inventors; and**
- (75) **Inventors/Applicants (for US only):** WANG, Huisun [US/US]; 6275 Fernbrook Ln. N., Maple Grove, Minnesota 55311 (US). DANDO, Jeremy D. [US/US]; 14400 4th Avenue North, Plymouth, Minnesota 55447 (US).
- (74) **Agent:** HEIMBECHER, Reed R.; Legal Department, 14901 DeVeau Place, Minnetonka, Minnesota 55345-2126 (US).

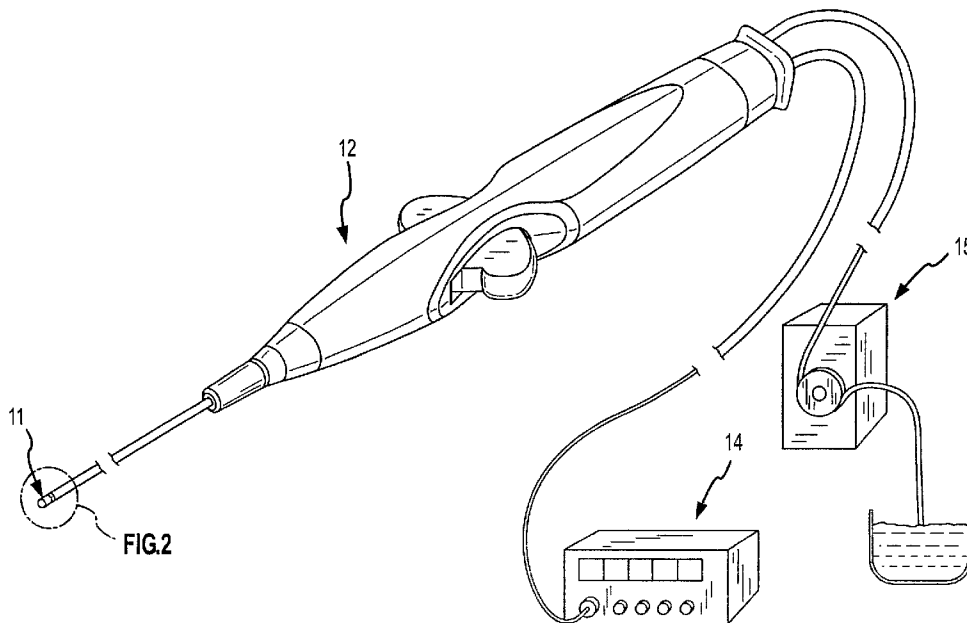
- (81) **Designated States (unless otherwise indicated, for every kind of national protection available):** AE, AG, AL, AM, AT, AU, AZ, BA, BB, BG, BH, BR, BW, BY, BZ, CA, CH, CN, CO, CR, CU, CZ, DE, DK, DM, DO, DZ, EC, EE, EG, ES, FI, GB, GD, GE, GH, GM, GT, HN, HR, HU, ID, IL, IN, IS, JP, KE, KG, KM, KN, KP, KR, KZ, LA, LC, LK, LR, LS, LT, LU, LY, MA, MD, ME, MG, MK, MN, MW, MX, MY, MZ, NA, NG, NI, NO, NZ, OM, PG, PH, PL, PT, RO, RS, RU, SC, SD, SE, SG, SK, SL, SM, SV, SY, TJ, TM, TN, TR, TT, TZ, UA, UG, US, UZ, VC, VN, ZA, ZM, ZW
- (84) **Designated States (unless otherwise indicated, for every kind of regional protection available):** ARIPO (BW, GH, GM, KE, LS, MW, MZ, NA, SD, SL, SZ, TZ, UG, ZM, ZW), Eurasian (AM, AZ, BY, KG, KZ, MD, RU, TJ, TM), European (AT, BE, BG, CH, CY, CZ, DE, DK, EE, ES, FI, FR, GB, GR, HU, IE, IS, IT, LT, LU, LV, MC, MT, NL, PL, PT, RO, SE, SI, SK, TR), OAPI (BF, BJ, CF, CG, CI, CM, GA, GN, GQ, GW, ML, MR, NE, SN, TD, TG).

Published:

- with international search report
- before the expiration of the time limit for amending the claims and to be republished in the event of receipt of amendments

[Continued on next page]

(54) **Title:** ABLATION CATHETER TIP FOR GENERATING AN ANGLED FLOW



(57) **Abstract:** The present invention provides an ablation catheter tip (50, 60, 70) for use with an irrigated catheter device (12) comprising an inner cavity (51, 61, 71) and at least one passageway (55, 65, 72) that leads to an orifice (56, 66, 73), wherein the fluid flow from the orifice promotes a circular, vortex, or spiral flow around the catheter tip from the acute angle formed at the orifice with respect to a line tangent to the surface of the ablation electrode at the orifice. The invention further provides an ablation catheter tip (80) comprising an inner cavity (81) and at least one curved passageway (82) that leads to an orifice, wherein a line drawn tangent to the arc of the curve forms an acute angle measured with respect to a line drawn tangent to surface of the ablation electrode at the orifice of the passageway.

WO 2008/083100 A3



(88) Date of publication of the international search report:
12 September 2008

INTERNATIONAL SEARCH REPORT

International application No
PCT/US2007/088639

A. CLASSIFICATION OF SUBJECT MATTER
IPC(8) - A61B 18/18 (2008.04)
USPC - 606/41
According to International Patent Classification (IPC) or to both national classification and IPC

B. FIELDS SEARCHED
Minimum documentation searched (classification system followed by classification symbols)
IPC(8) - A61B 18/18 (2008.04)
USPC - 606/41

Documentation searched other than minimum documentation to the extent that such documents are included in the fields searched

Electronic data base consulted during the international search (name of data base and, where practicable, search terms used)
PatBase

C DOCUMENTS CONSIDERED TO BE RELEVANT

Category*	Citation of document, with indication, where appropriate, of the relevant passages	Relevant to claim No.
Y	US 2006/0184165 A 1 (WEBSTER JR et al) 17 August 2006 (17 08.2006) entire document	1-30
Y	WO 2005/074520 A2 (MACMAHON et al) 18 August 2005 (18 08 2005) entire document	1-30
Y	US 5,100,402 A (FAN) 31 March 1992 (31 03 1992) entire document	11

Further documents are listed in the continuation of Box C

* Special categories of cited documents	"T" later document published after the international filing date or priority date and not in conflict with the application but cited to understand the principle or theory underlying the invention
"A" document defining the general state of the art which is not considered to be of particular relevance	"X" document of particular relevance, the claimed invention cannot be considered novel or cannot be considered to involve an inventive step when the document is taken alone
"E" earlier application or patent but published on or after the international filing date	"Y" document of particular relevance, the claimed invention cannot be considered to involve an inventive step when the document is combined with one or more other such documents, such combination being obvious to a person skilled in the art
"L" document which may throw doubts on priority claim(s) or which is cited to establish the publication date of another citation or other special reason (as specified)	"&" document member of the same patent family
"O" document referring to an oral disclosure, use, exhibition or other means	
"P" document published prior to the international filing date but later than the priority date claimed	

Date of the actual completion of the international search 23 April 2008	Date of mailing of the international search report OUUL 2008
--	--

Name and mailing address of the ISA/US Mail Stop PCT, Attn: ISA/US, Commissioner for Patents P O. Box 1450, Alexandria, Virginia 22313-1450 Facsimile No. 571-273-3201	Authorized officer: Blaine R Copenheaver PCT Hþlpdþsk. 571-272-4300 PCTOSP 571-272-7774
---	--