



US00D802401S

(12) **United States Design Patent**  
**Harris**

(10) **Patent No.:** **US D802,401 S**

(45) **Date of Patent:** **\*\* Nov. 14, 2017**

- (54) **HEADPHONE HANGER**
- (71) Applicant: **Victor Harris**, Dubai (AE)
- (72) Inventor: **Victor Harris**, Dubai (AE)
- (73) Assignee: **NSV GROUP FZCO**, Dubai (AE)

D700,829	S *	3/2014	Nanbu	.....	D8/367
D707,110	S *	6/2014	Veilleux	.....	D8/367
D709,355	S *	7/2014	Berger	.....	D8/356
D712,725	S *	9/2014	Wu	.....	D8/367
D719,438	S *	12/2014	Veilleux	.....	D8/367
D720,985	S *	1/2015	Veilleux	.....	D8/367
D729,046	S *	5/2015	Paik	.....	D8/367
D735,554	S *	8/2015	Solberg	.....	D8/349
D739,221	S *	9/2015	Sendra-Gonzalez	.. F24J 2/5203	D8/349
D745,379	S *	12/2015	Lindsay	.....	D8/373
D747,180	S *	1/2016	Burcar	.....	D8/367
D756,205	S *	5/2016	New	.....	D8/367
D764,901	S *	8/2016	Esparza	.....	D8/367
2006/0215868	A1 *	9/2006	Okamura	..... H04R 1/105	381/381
2010/0164432	A1 *	7/2010	Yang	..... H02J 7/0044	320/111
2015/0342331	A1 *	12/2015	Tom	..... A45F 5/021	224/666

(\*\*) Term: **15 Years**

(21) Appl. No.: **29/575,504**

(22) Filed: **Aug. 25, 2016**

(51) **LOC (10) Cl.** ..... **08-05**

(52) **U.S. Cl.** ..... **D8/367**

(58) **Field of Classification Search**  
 USPC ..... D8/367, 354, 349, 394, 372; D3/228;  
 224/247, 197  
 CPC ..... F16L 3/13; F16L 3/26; A47G 23/0225;  
 A47G 25/06; A47G 1/16; A47F 5/0846;  
 A47F 5/02; H02G 11/003; D06F 55/00;  
 E04H 17/10; A45F 5/02  
 See application file for complete search history.

(Continued)

*Primary Examiner* — Cynthia Underwood  
(74) *Attorney, Agent, or Firm* — Quinn IP Law

(57) **CLAIM**

I claim the ornamental design for the headphone hanger, as shown and described.

**DESCRIPTION**

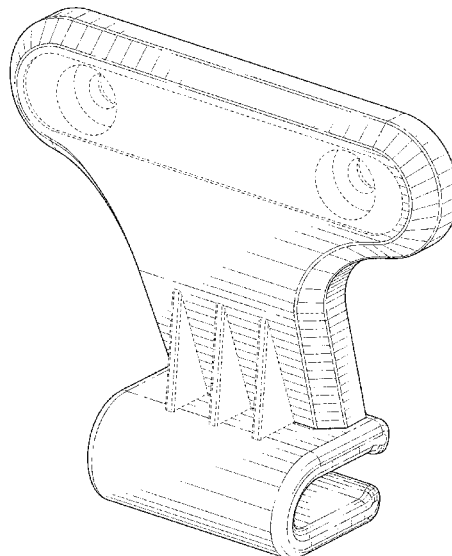
FIG. 1 is a top right rear perspective view of a headphone hanger;  
 FIG. 2 is a rear view thereof;  
 FIG. 3 is a front view thereof;  
 FIG. 4 is a left side view thereof;  
 FIG. 5 is a right side view thereof;  
 FIG. 6 is a top view thereof;  
 FIG. 7 is a bottom view thereof; and,  
 FIG. 8 is a top right front perspective view thereof.  
 All broken lines in the drawings illustrate portions of the headphone hanger that form no part of the claimed design.

**1 Claim, 6 Drawing Sheets**

(56) **References Cited**

**U.S. PATENT DOCUMENTS**

3,966,157	A *	6/1976	Corral	..... A47G 1/20	248/217.3
D393,795	S *	4/1998	Bernstein	.....	D8/373
D601,880	S *	10/2009	Veilleux	.....	D8/367
D614,995	S *	5/2010	Pontaoe	.....	D11/212
D629,673	S *	12/2010	Shaha	.....	D8/367
8,113,476	B2 *	2/2012	Serio	..... A47G 1/20	248/206.5
D661,570	S *	6/2012	Fox	.....	D8/356
8,387,217	B1 *	3/2013	Hinds	..... A63B 21/00065	24/134 R
D682,663	S *	5/2013	Evon	.....	D8/367
D688,936	S *	9/2013	Chen	.....	D8/354
D699,097	S *	2/2014	Chung	.....	D8/354



(56)

**References Cited**

U.S. PATENT DOCUMENTS

2017/0120839 A1\* 5/2017 Harris ..... B60R 11/00

\* cited by examiner

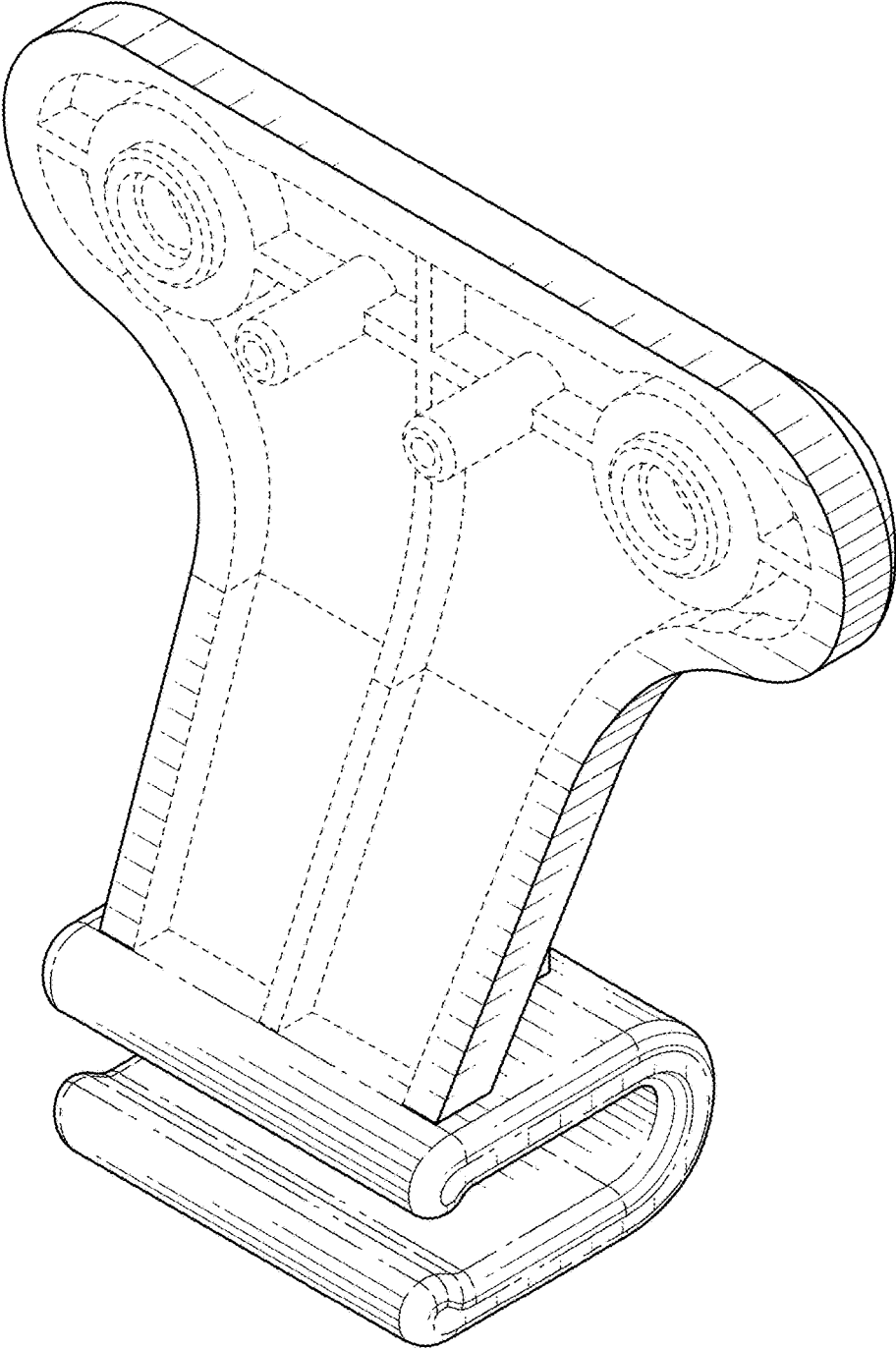


FIG. 1

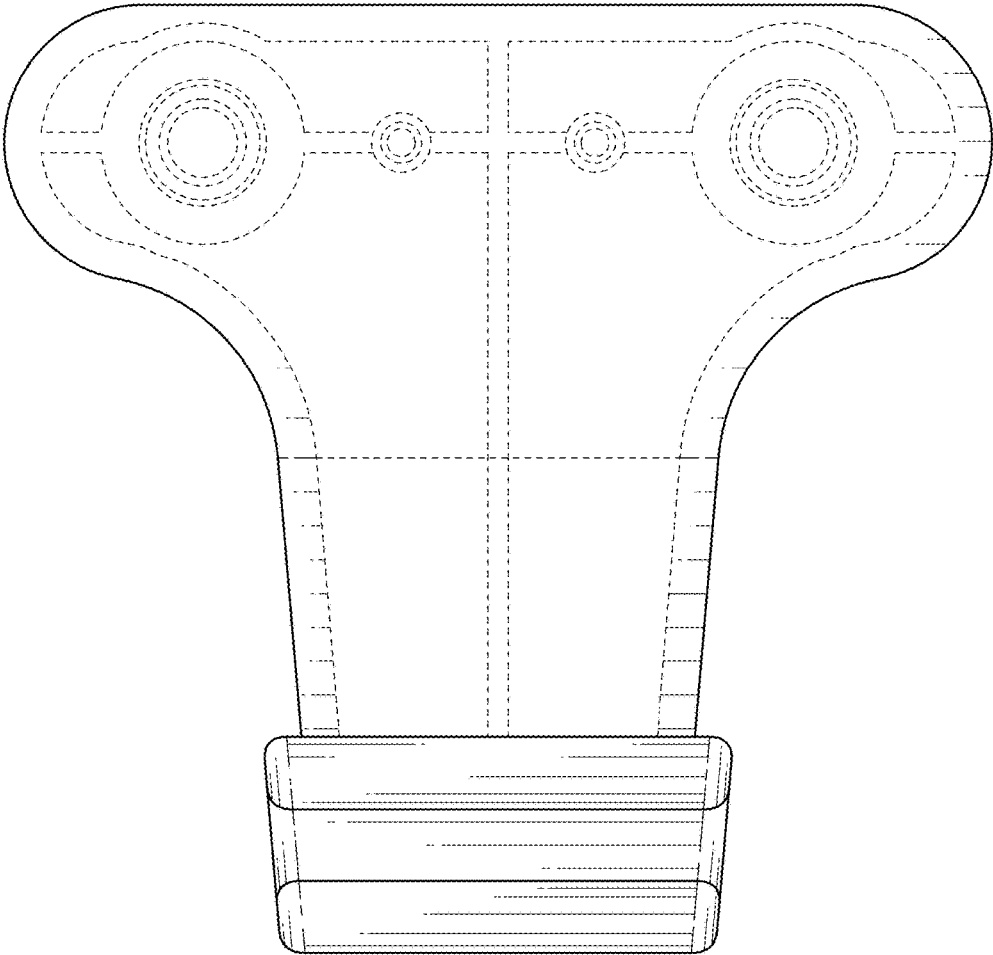


FIG. 2

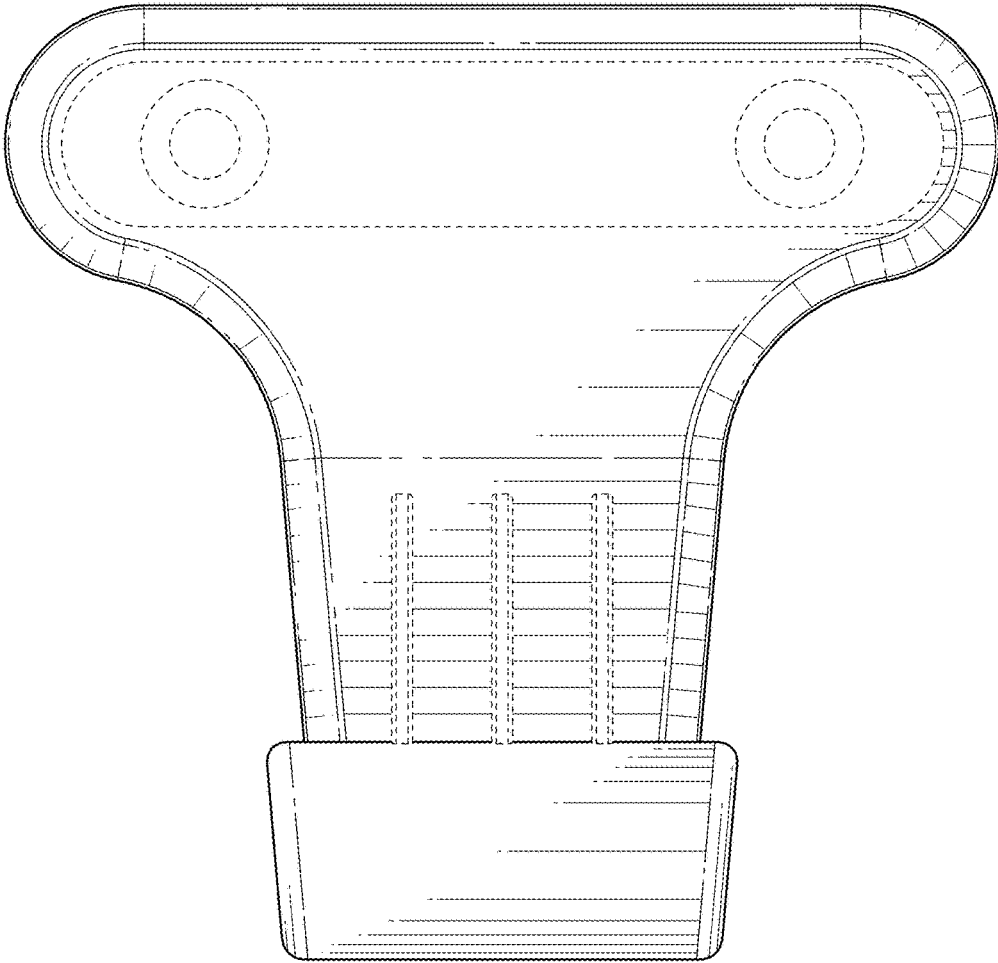


FIG. 3

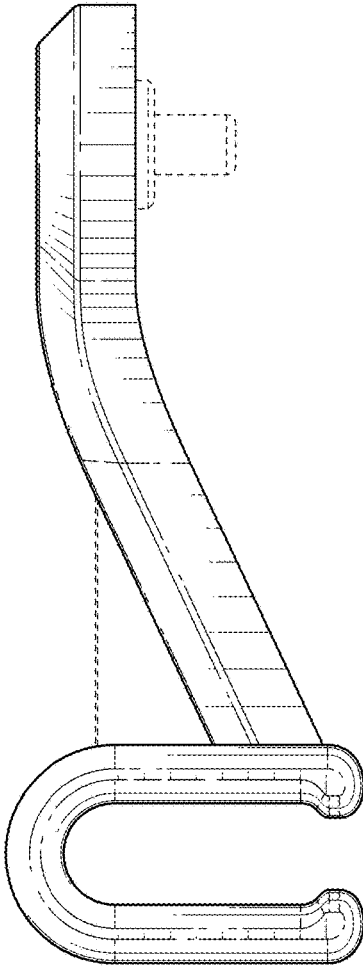


FIG. 4

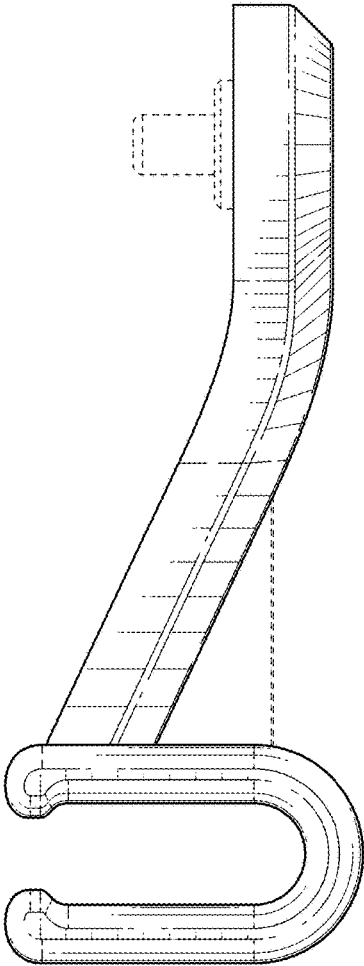


FIG. 5

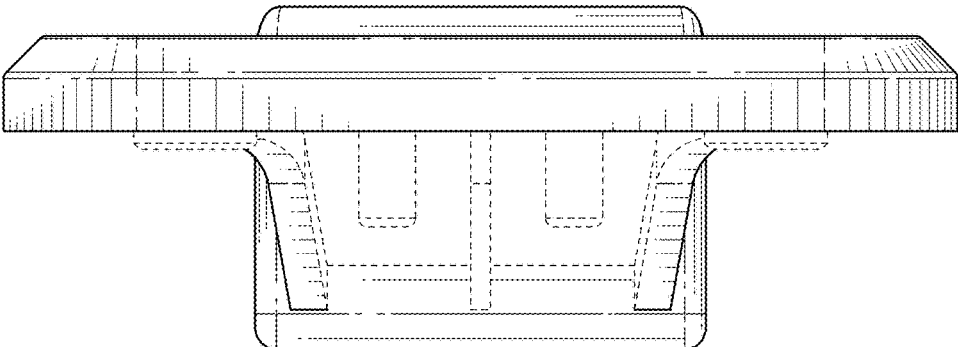


FIG. 6

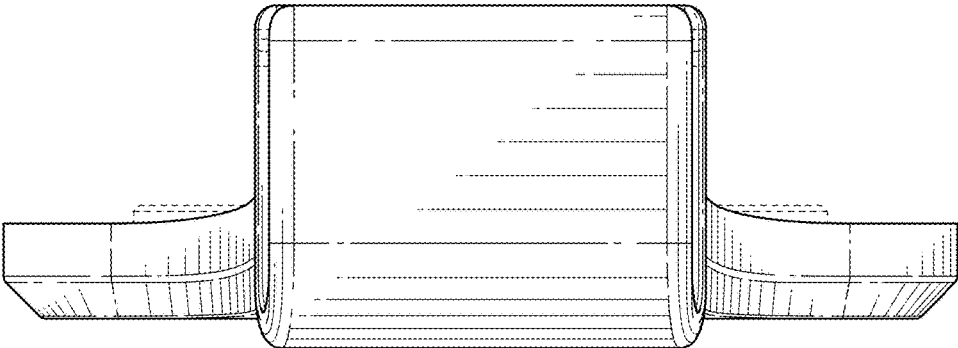


FIG. 7

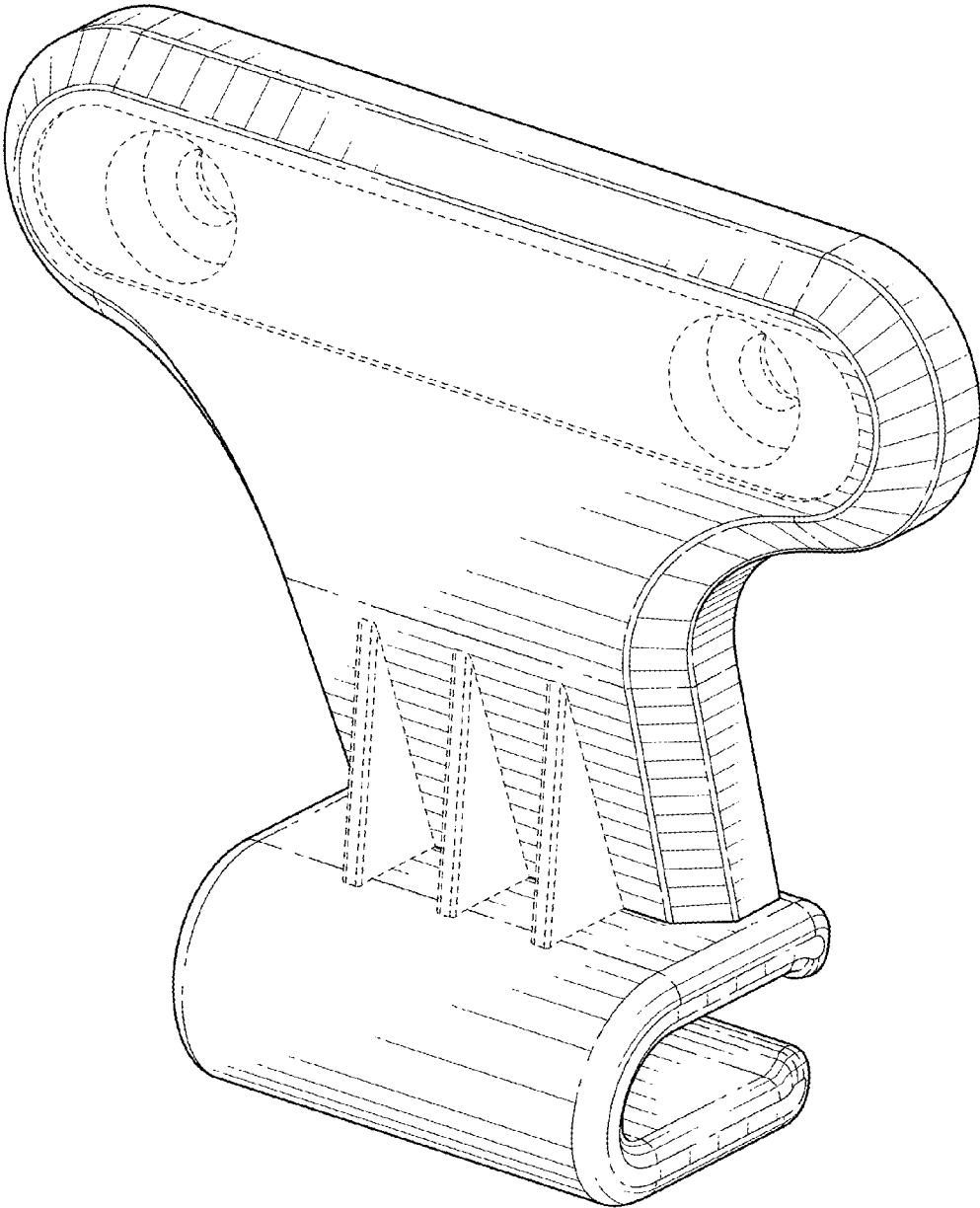


FIG. 8