



US0D1021963S

(12) **United States Design Patent**
Yu et al.

(10) **Patent No.:** **US D1,021,963 S**

(45) **Date of Patent:** **** Apr. 9, 2024**

- (54) **WATER PUMP**
 - (71) Applicant: **TOP LINE BRAND, LLC**, Santa Fe Springs, CA (US)
 - (72) Inventors: **Feng Yu**, Yorba Linda, CA (US);
Zenan Yu, Yorba Linda, CA (US);
Honghui Li, Yorba Linda, CA (US)
 - (**) Term: **15 Years**
 - (21) Appl. No.: **29/802,540**
 - (22) Filed: **Aug. 5, 2021**
 - (51) **LOC (14) Cl.** **15-02**
 - (52) **U.S. Cl.** **D15/8**
USPC
 - (58) **Field of Classification Search**
USPC D15/7, 8, 9; D23/231, 232
CPC . F04D 1/00; F04D 1/14; F04D 29/007; F04D 29/60; F04D 29/406; F04D 29/426; F04D 29/605; F04D 29/4293; F04D 13/06; F04D 15/0088; F04D 15/0066; F04D 15/0245
- See application file for complete search history.

- D518,068 S * 3/2006 Rodopoulos D15/7
- D558,230 S * 12/2007 Vivar F04D 29/086
D15/7
- D562,849 S * 2/2008 Buitenhuis D15/7
- D568,340 S * 5/2008 Stiles, Jr. D15/5
- D573,607 S * 7/2008 Bulter D15/7
- D606,562 S * 12/2009 Stiles, Jr. D15/5
- D725,153 S * 3/2015 Berry D15/7
- 11,193,504 B1 * 12/2021 Mjelde F04D 29/086
- D946,629 S * 3/2022 Mjelde D15/7
- D949,205 S * 4/2022 Headley D15/7
- D966,342 S * 10/2022 Pedrollo F04D 29/026
D15/7
- D971,966 S * 12/2022 Mjelde D15/7

* cited by examiner

Primary Examiner — Calvin E Vansant
Assistant Examiner — Eidiol Ghigliotty Torres
(74) *Attorney, Agent, or Firm* — Tsz Lung Yeung

(57) **CLAIM**

The ornamental design for a water pump, as shown and described.

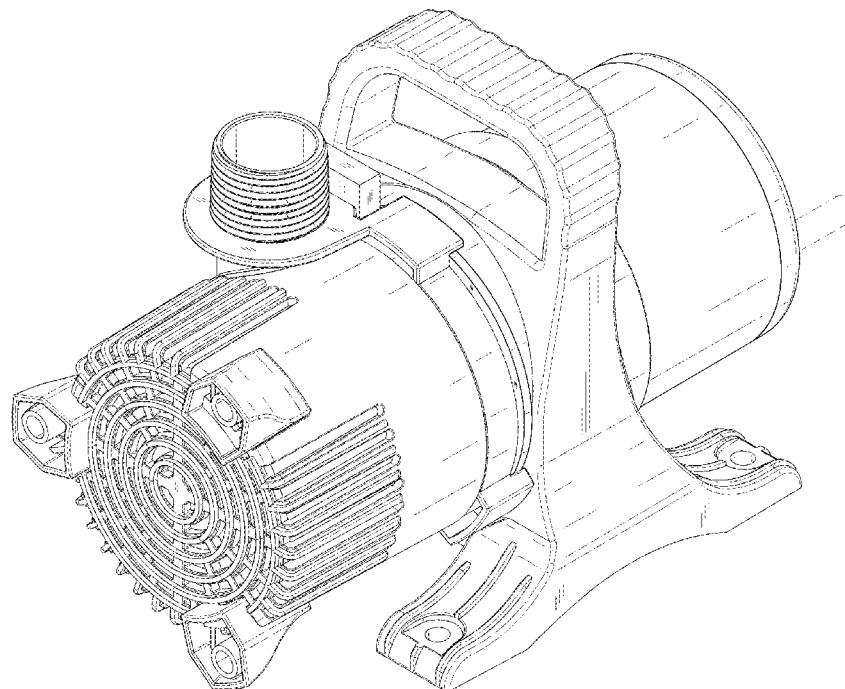
DESCRIPTION

FIG. 1 is a perspective view of a water pump, showing my new design;
FIG. 2 is a front view thereof;
FIG. 3 is a rear view thereof;
FIG. 4 is a right side view thereof;
FIG. 5 is a left side view thereof;
FIG. 6 is a top view thereof; and,
FIG. 7 is a bottom view thereof.
The broken lines depict portions of the water pump that form no part of the claimed design.

1 Claim, 7 Drawing Sheets

(56) **References Cited**
U.S. PATENT DOCUMENTS

- D299,143 S * 12/1988 Hazlehurst D15/7
- D306,448 S * 3/1990 Lannoch D15/7
- D372,719 S * 8/1996 Jensen F04D 29/026
D15/7
- D466,522 S * 12/2002 Huang D15/7
- D485,565 S * 1/2004 Martinello D15/7
- D486,835 S * 2/2004 Hsiao D15/9
- D517,570 S * 3/2006 Stiles, Jr. D15/7



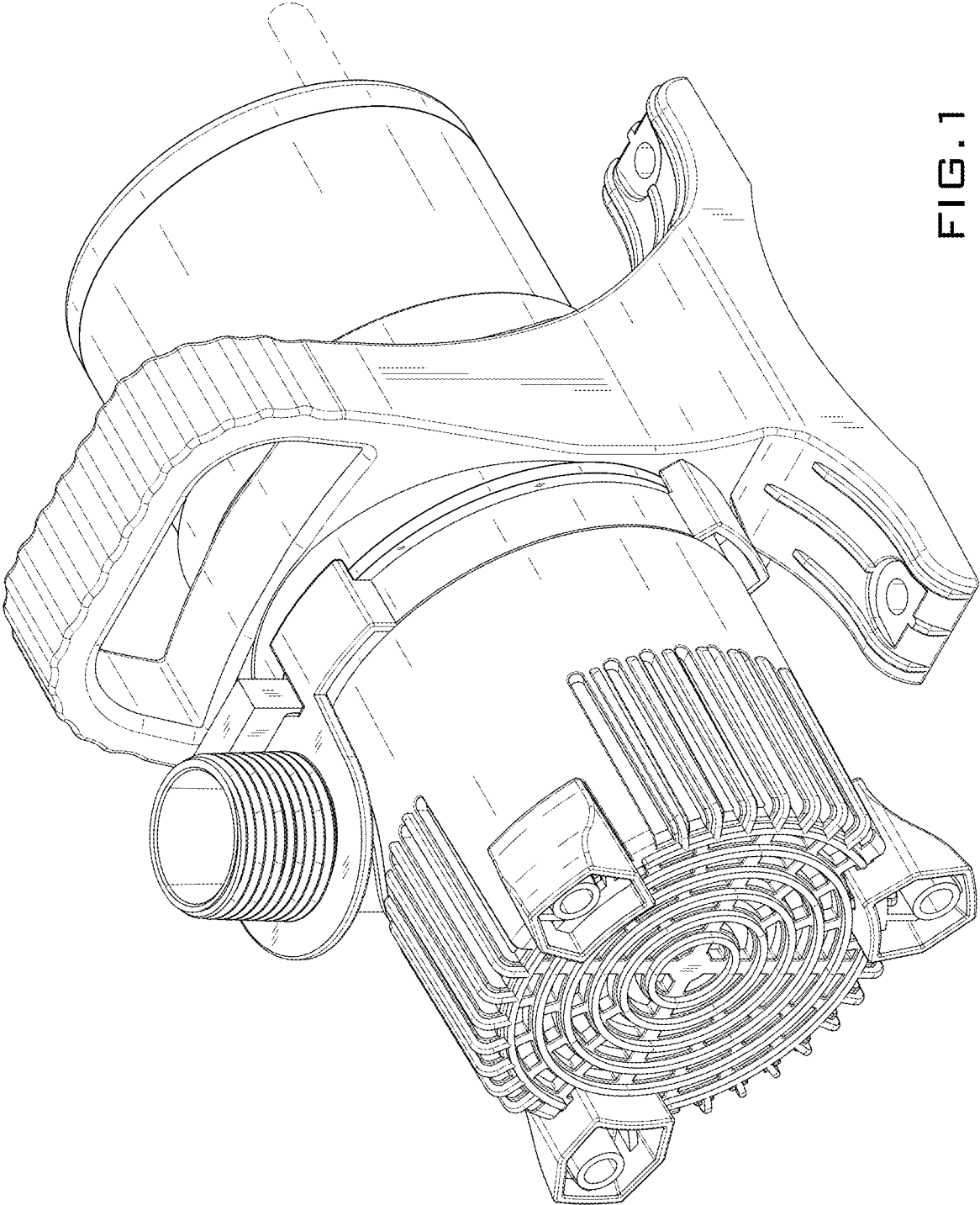


FIG. 1

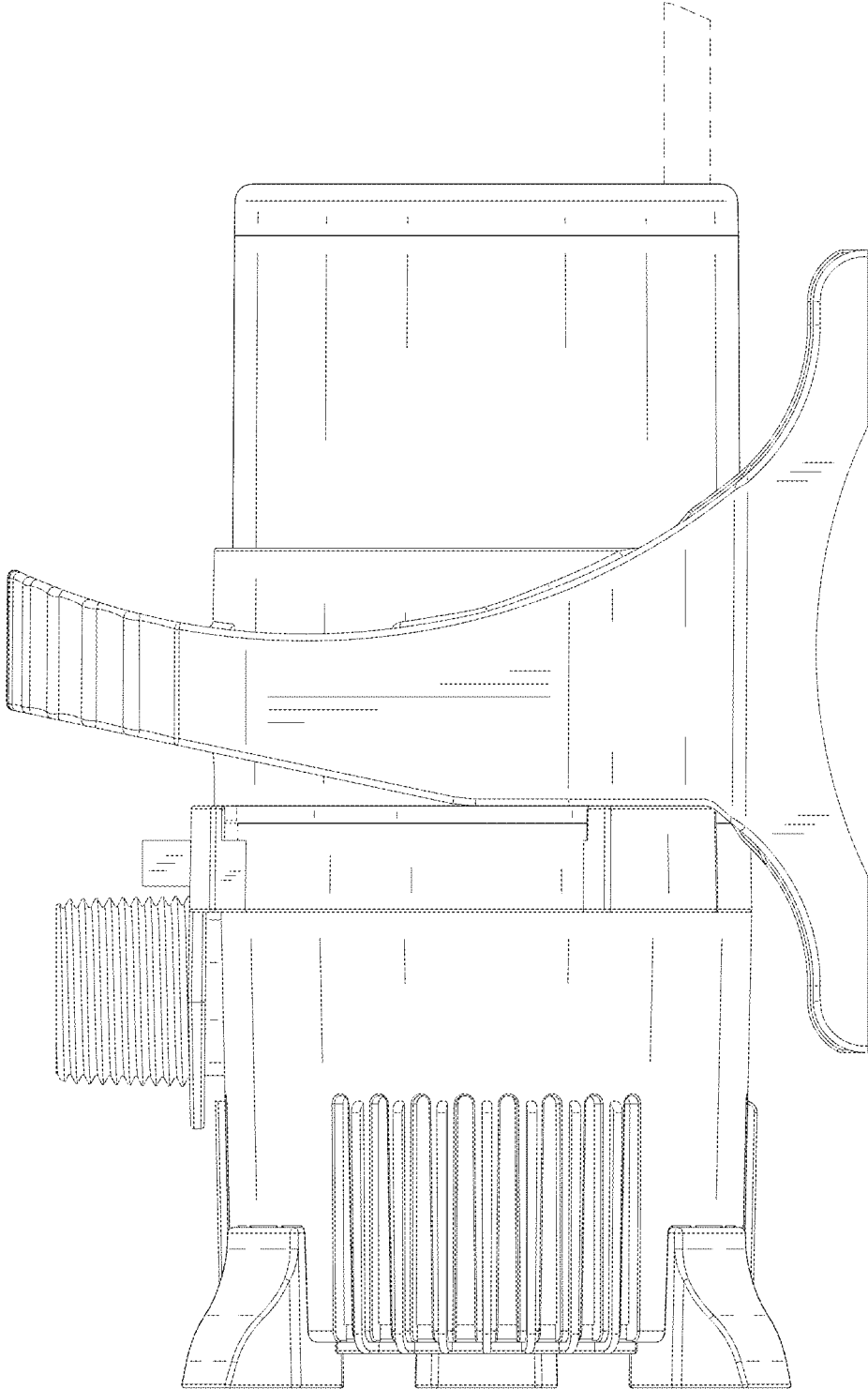


FIG. 2

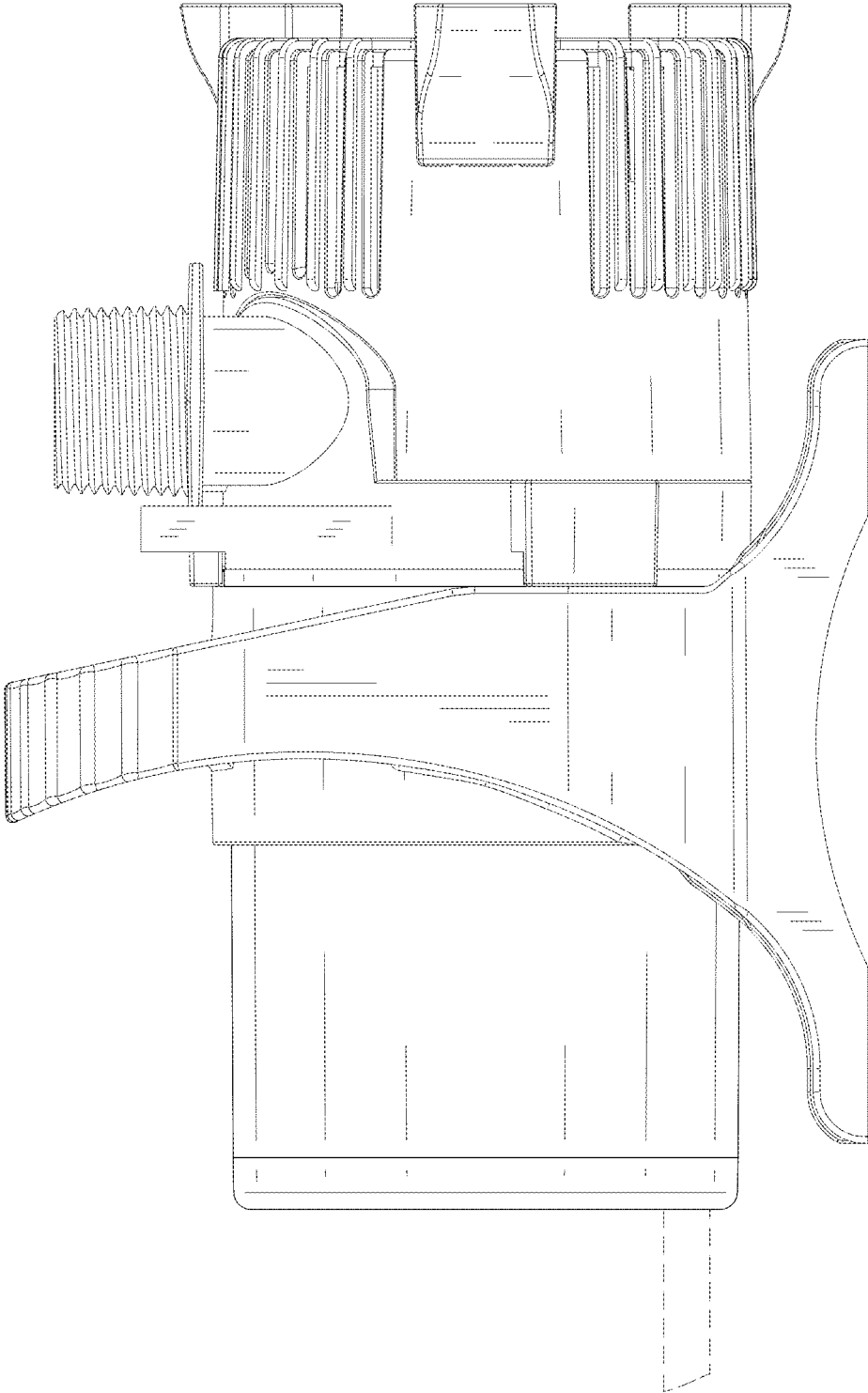


FIG. 3

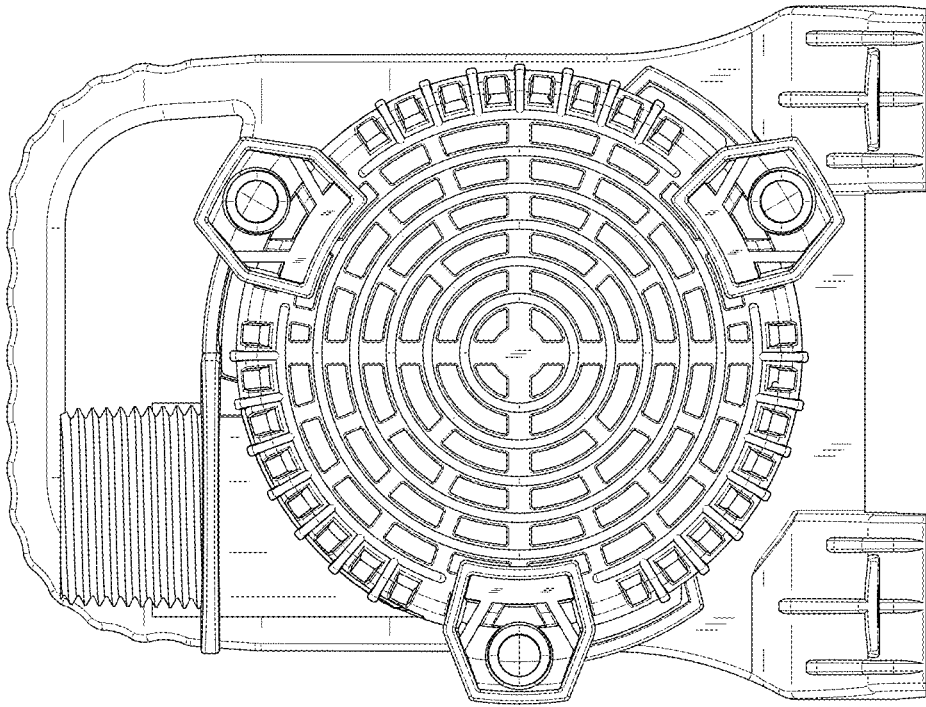


FIG. 4

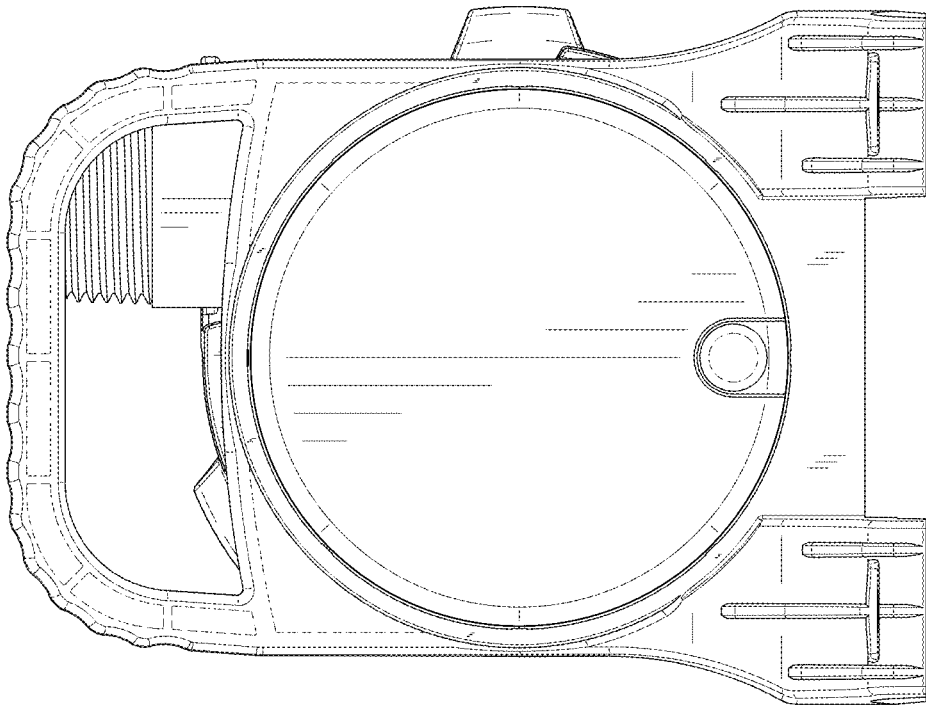


FIG. 5

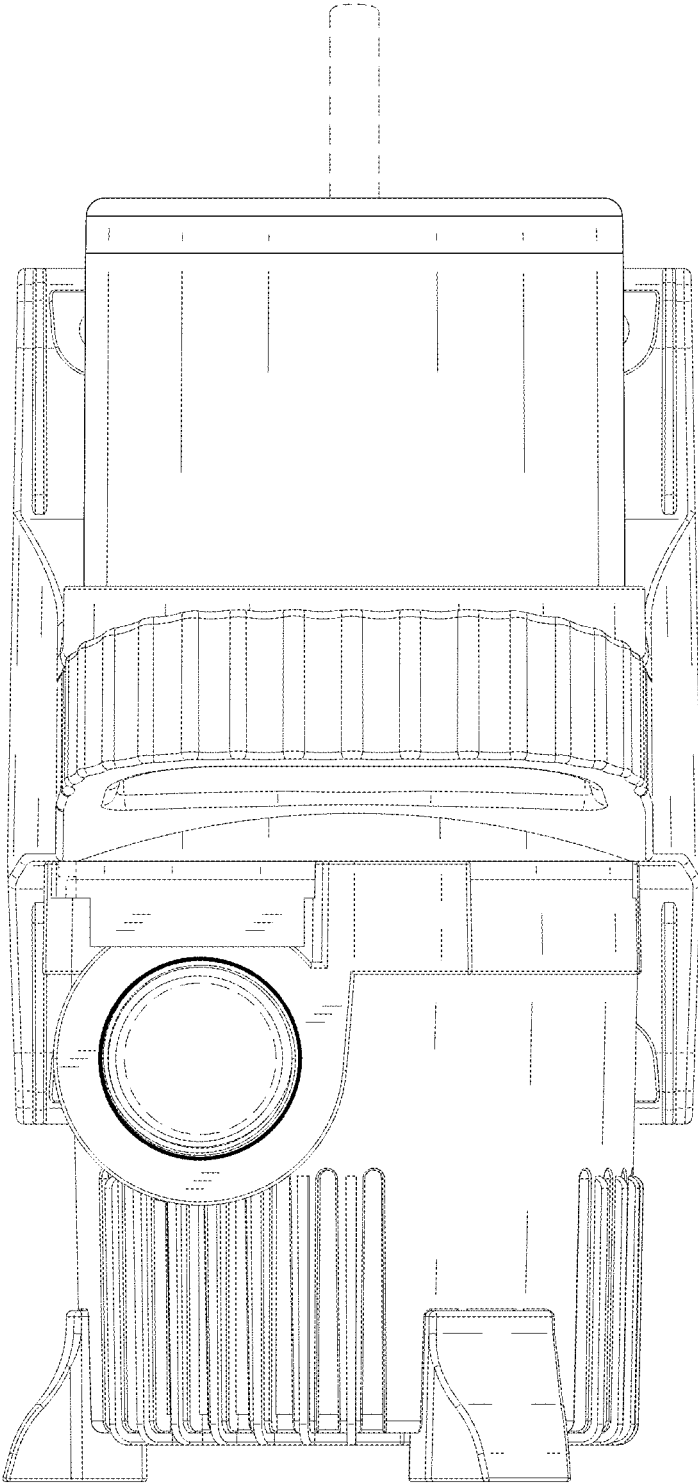


FIG. 6

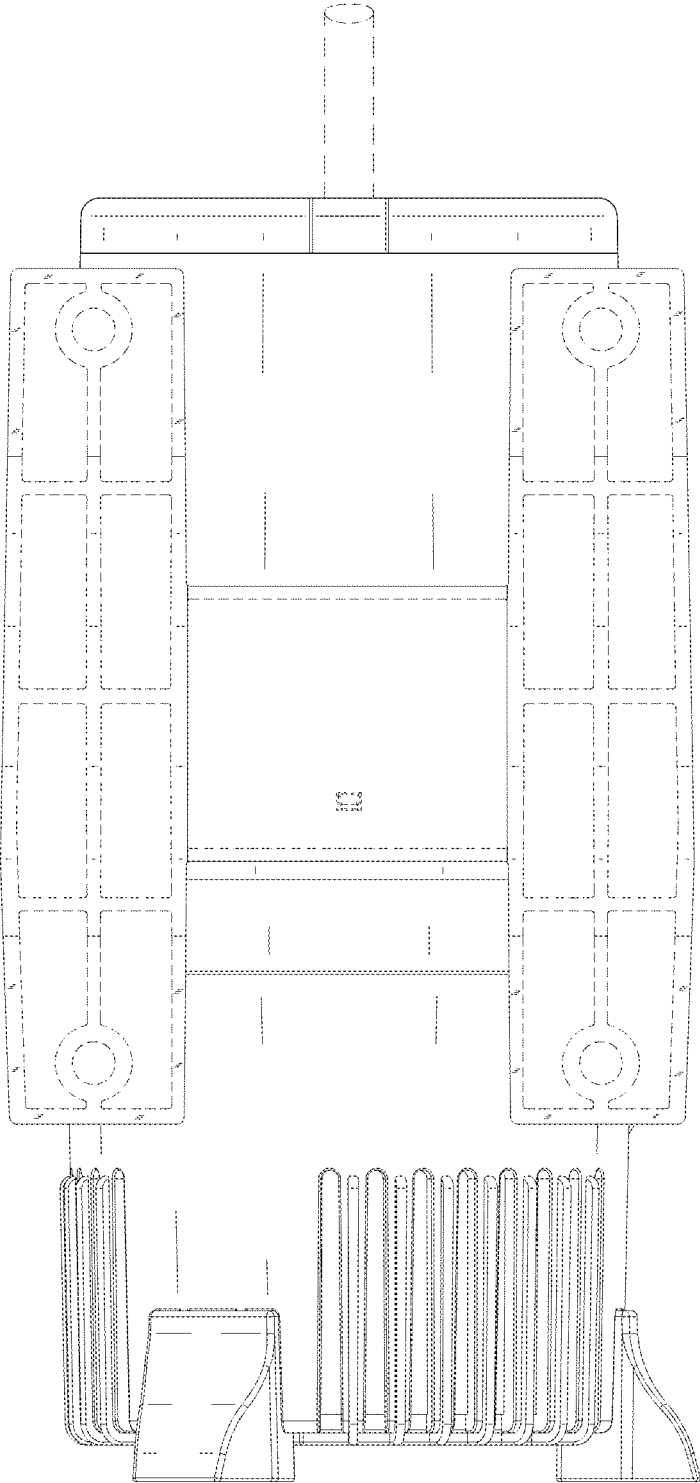


FIG. 7