



(51) International Patent Classification:

A61F 7/03 (2006.01) A61L 15/42 (2006.01)
A61L 15/18 (2006.01) A61P 27/02 (2006.01)

(21) International Application Number:

PCT/IB2014/001705

(22) International Filing Date:

8 May 2014 (08.05.2014)

(25) Filing Language:

English

(26) Publication Language:

English

(30) Priority Data:

61/821,208 8 May 2013 (08.05.2013) US

(71) Applicant: **OPTOMETRIC TECHNOLOGY GROUP LTD.** [GB/GB]; 42 Vauxhall Bridge Road, Pimlico, London SW1V 2RX (GB).

(72) Inventors: **GUILLOIN, Michel, Lucien**; 7 Sylvania La Route De La Haule, St. Laurence, JE3 1BA (JE).
MAISSA, Cecile, Adrienne; 26 Norbiton Avenue, Kingston-upon-thames, London KT1 3QS (GB).

(74) Agents: **SMAGGASGALE, Gillian, Helen** et al.; W.P. Thompson, 55 Drury Lane, London WC2B 5SQ (GB).

(81) Designated States (unless otherwise indicated, for every kind of national protection available): AE, AG, AL, AM,

AO, AT, AU, AZ, BA, BB, BG, BH, BN, BR, BW, BY, BZ, CA, CH, CL, CN, CO, CR, CU, CZ, DE, DK, DM, DO, DZ, EC, EE, EG, ES, FI, GB, GD, GE, GH, GM, GT, HN, HR, HU, ID, IL, IN, IR, IS, JP, KE, KG, KN, KP, KR, KZ, LA, LC, LK, LR, LS, LT, LU, LY, MA, MD, ME, MG, MK, MN, MW, MX, MY, MZ, NA, NG, NI, NO, NZ, OM, PA, PE, PG, PH, PL, PT, QA, RO, RS, RU, RW, SA, SC, SD, SE, SG, SK, SL, SM, ST, SV, SY, TH, TJ, TM, TN, TR, TT, TZ, UA, UG, US, UZ, VC, VN, ZA, ZM, ZW.

(84) Designated States (unless otherwise indicated, for every kind of regional protection available): ARIPO (BW, GH, GM, KE, LR, LS, MW, MZ, NA, RW, SD, SL, SZ, TZ, UG, ZM, ZW), Eurasian (AM, AZ, BY, KG, KZ, RU, TJ, TM), European (AL, AT, BE, BG, CH, CY, CZ, DE, DK, EE, ES, FI, FR, GB, GR, HR, HU, IE, IS, IT, LT, LU, LV, MC, MK, MT, NL, NO, PL, PT, RO, RS, SE, SI, SK, SM, TR), OAPI (BF, BJ, CF, CG, CL, CM, GA, GN, GQ, GW, KM, ML, MR, NE, SN, TD, TG).

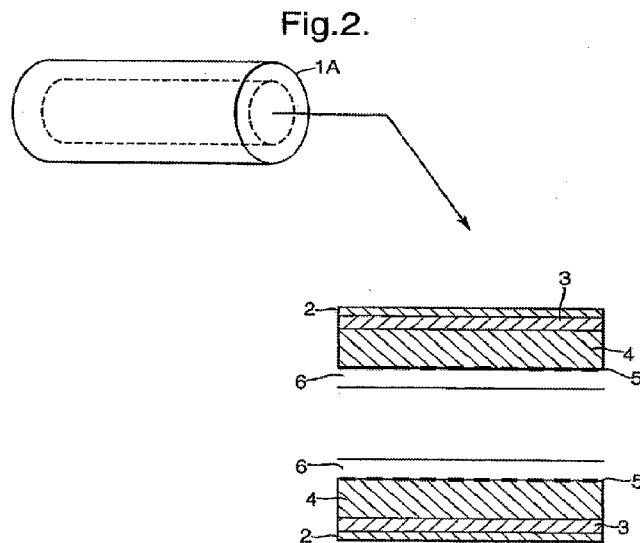
Published:

— with international search report (Art. 21(3))

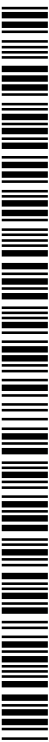
(88) Date of publication of the international search report:

9 April 2015

(54) Title: EYE CARE DEVICES AND METHODS



(57) Abstract: Wipes and their use in methods of treatment of eye disorders such as dry eye or meibomian gland dysfunction.



INTERNATIONAL SEARCH REPORT

International application No
PCT/IB2014/001705

A. CLASSIFICATION OF SUBJECT MATTER
 INV. A61F7/03 A61L15/18 A61L15/42 A61P27/02
 ADD.
 According to International Patent Classification (IPC) or to both national classification and IPC

B. FIELDS SEARCHED
 Minimum documentation searched (classification system followed by classification symbols)
 A61F
 Documentation searched other than minimum documentation to the extent that such documents are included in the fields searched

Electronic data base consulted during the international search (name of data base and, where practicable, search terms used)
 EPO-Internal, WPI Data, BIOSIS, EMBASE

Category*	Citation of document, with indication, where appropriate, of the relevant passages	Relevant to claim No.
X	WO 2004/041134 A1 (GUILLON MICHEL [GB]; MAISSA CECILE ADRIENNE [GB]) 21 May 2004 (2004-05-21) the whole document -----	1-170
X	US 2006/104914 A1 (SOROUDI ABRAHAM E [US]) 18 May 2006 (2006-05-18) the whole document -----	1-170
X	US 2005/119629 A1 (SOROUDI ABRAHAM E [US]) 2 June 2005 (2005-06-02) the whole document -----	1-170
X	US 2009/300864 A1 (ADKINS JR NAT G [US] ET AL) 10 December 2009 (2009-12-10) the whole document -----	1-170
	-/--	

Further documents are listed in the continuation of Box C. See patent family annex.

* Special categories of cited documents :

"A" document defining the general state of the art which is not considered to be of particular relevance	"T" later document published after the international filing date or priority date and not in conflict with the application but cited to understand the principle or theory underlying the invention
"E" earlier application or patent but published on or after the international filing date	"X" document of particular relevance; the claimed invention cannot be considered novel or cannot be considered to involve an inventive step when the document is taken alone
"L" document which may throw doubts on priority claim(s) or which is cited to establish the publication date of another citation or other special reason (as specified)	"Y" document of particular relevance; the claimed invention cannot be considered to involve an inventive step when the document is combined with one or more other such documents, such combination being obvious to a person skilled in the art
"O" document referring to an oral disclosure, use, exhibition or other means	"&" document member of the same patent family
"P" document published prior to the international filing date but later than the priority date claimed	

Date of the actual completion of the international search 12 December 2014	Date of mailing of the international search report 12/01/2015
---	--

Name and mailing address of the ISA/ European Patent Office, P.B. 5818 Patentlaan 2 NL - 2280 HV Rijswijk Tel. (+31-70) 340-2040, Fax: (+31-70) 340-3016	Authorized officer Gómez Gallardo, S
--	---

INTERNATIONAL SEARCH REPORT

International application No

PCT/IB2014/001705

C(Continuation). DOCUMENTS CONSIDERED TO BE RELEVANT		
Category*	Citation of document, with indication, where appropriate, of the relevant passages	Relevant to claim No.
X	US 6 090 060 A (RADOW BRETT K [US]) 18 July 2000 (2000-07-18) the whole document -----	1-170
X	DATABASE WPI Section PQ, Week 200240 Thomson Scientific, London, GB; Class P32, AN 2002-368695 XP002733485, OKA T; SATO S: "Meibomian glands functional treatment device has water vapor temperature discharged from surface of device controlled below 50 degrees Celsius", -& JP 2002 078727 A ((KAOS) KAO CORP) 19 March 2002 (2002-03-19) the whole document -----	1-170
X	EP 2 002 813 A2 (KAO CORP [JP]) 17 December 2008 (2008-12-17) the whole document -----	1-135, 141-170
A	OLSON M C ET AL: "Increase in tear film lipid layer thickness following treatment with warm compresses in patients with meibomian gland dysfunction", EYE AND CONTACT LENS, LIPPINCOTT WILLIAMS & WILKINS, US, vol. 29, no. 2, 1 April 2003 (2003-04-01), pages 96-99, XP008173754, ISSN: 1542-2321, DOI: 10.1097/01.ICL.0000060998.20142.8D the whole document -----	1-170

INTERNATIONAL SEARCH REPORT

Information on patent family members

International application No

PCT/IB2014/001705

Patent document cited in search report	Publication date	Patent family member(s)	Publication date
WO 2004041134	A1	21-05-2004	AT 494867 T 15-01-2011
		AU 2003282219	A1 07-06-2004
		CA 2505138	A1 21-05-2004
		EP 1587468	A1 26-10-2005
		ES 2361155	T3 14-06-2011
		GB 2394898	A 12-05-2004
		JP 5101796	B2 19-12-2012
		JP 2006517114	A 20-07-2006
		JP 2012139516	A 26-07-2012
		US 2006018953	A1 26-01-2006
		US 2014058340	A1 27-02-2014
		US 2014142668	A1 22-05-2014
		WO 2004041134	A1 21-05-2004

US 2006104914	A1	18-05-2006	US 2006104914 A1 18-05-2006
			US 2009192478 A1 30-07-2009

US 2005119629	A1	02-06-2005	US 2005119629 A1 02-06-2005
			US 2007203462 A1 30-08-2007

US 2009300864	A1	10-12-2009	NONE

US 6090060	A	18-07-2000	US 5769806 A 23-06-1998
			US 6090060 A 18-07-2000

JP 2002078727	A	19-03-2002	JP 3690258 B2 31-08-2005
			JP 2002078727 A 19-03-2002

EP 2002813	A2	17-12-2008	CN 101415383 A 22-04-2009
			CN 102379766 A 21-03-2012
			EP 2002813 A2 17-12-2008
			US 2010010598 A1 14-01-2010
			WO 2007114352 A1 11-10-2007
