



US00D887060S

(12) **United States Design Patent**
Wang et al.

(10) **Patent No.:** **US D887,060 S**

(45) **Date of Patent:** **** Jun. 9, 2020**

(54) **SECURITY LAMP**

(71) Applicants: **SHANGHAI SANSE ELECTRONIC ENGINEERING CO. LTD.**, Shanghai (CN); **SANSI OPTOELECTRONICS TECHNOLOGY (SHANGHAI) CO. LTD.**, Shanghai (CN); **SHANGHAI SANSE TECHNOLOGY CO. LTD.**, Shanghai (CN); **JIASHAN SANSE OPTOELECTRONIC TECHNOLOGY CO. LTD.**, Zhejiang (CN)

(72) Inventors: **Peng Wang**, Shanghai (CN); **Yinghong Shuai**, Shanghai (CN); **Xiaoliang He**, Shanghai (CN); **Luping Miu**, Shanghai (CN)

(73) Assignees: **SHANGHAI SANSE ELECTRONIC ENGINEERING CO. LTD.**, Shanghai (CN); **SANSI OPTOELECTRONICS TECHNOLOGY (SHANGHAI) CO. LTD.**, Shanghai (CN); **SHANGHAI SANSE TECHNOLOGY CO. LTD.**, Shanghai (CN); **JIASHAN SANSE OPTOELECTRONIC TECHNOLOGY CO. LTD.**, Zhejiang (CN)

(**) Term: **15 Years**

(21) Appl. No.: **29/719,004**

(22) Filed: **Dec. 31, 2019**

Related U.S. Application Data

(62) Division of application No. 29/666,668, filed on Oct. 15, 2018.

(51) **LOC (12) Cl.** **26-05**

(52) **U.S. Cl.**

USPC **D26/63**

(58) **Field of Classification Search**

USPC D26/24, 25, 35, 60, 61, 63, 65, 70, 72, D26/81, 83, 92, 102, 113, 118, 124; D16/239; D14/126

CPC F21V 21/02; F21V 21/06; F21V 21/14; F21V 21/26; F21V 21/30; F21V 5/007; F21V 14/00; F21V 14/02; F21V 14/04; F21V 14/06; F21W 2131/10; F21W 2131/40; F21W 2131/107; F21W 2131/109; F21W 2131/401-407; F21W 2131/1005; F21S 8/00; F21S 8/04; F21S 8/08; F21S 8/003; F21S 8/043

See application file for complete search history.

(56) **References Cited**

U.S. PATENT DOCUMENTS

D294,870 S * 3/1988 Hsu D26/52
D301,634 S * 6/1989 Decandia D26/63
D360,960 S * 8/1995 Wedell D26/63

(Continued)

Primary Examiner — Wan Laymon

Assistant Examiner — Clint A Samuel

(74) *Attorney, Agent, or Firm* — Oliff PLC

(57) **CLAIM**

The ornamental design for a security lamp, as shown and described.

DESCRIPTION

FIG. 1 is a front, right-side, top perspective view of the security lamp;

FIG. 2 is a front elevational view thereof;

FIG. 3 is a top plan view thereof;

FIG. 4 is a left-side elevational view thereof;

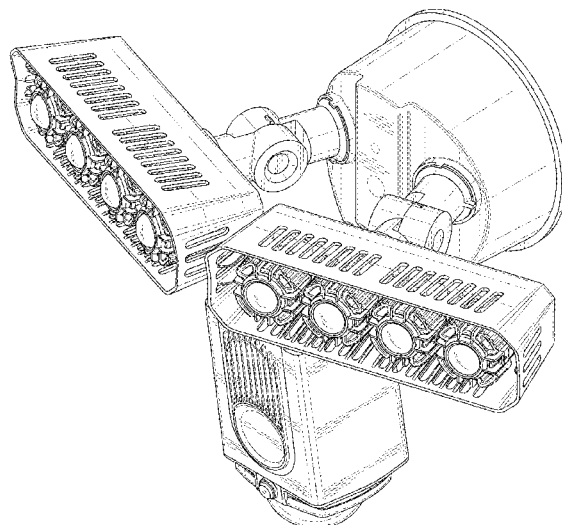
FIG. 5 is a right-side elevational view thereof;

FIG. 6 is a rear elevational view thereof; and,

FIG. 7 is a bottom plan view thereof.

The broken lines depict parts of the security lamp that form no part of the claimed design.

1 Claim, 7 Drawing Sheets



(56)

References Cited

U.S. PATENT DOCUMENTS

D392,406 S * 3/1998 Morrow D10/106.1
D546,997 S * 7/2007 Monroe D26/51
D560,838 S * 1/2008 Monroe D26/63
D583,974 S * 12/2008 Johnson D26/61
D713,581 S * 9/2014 Chen D26/63
D713,582 S * 9/2014 Liang D26/63
D742,053 S * 10/2015 Sussman D26/63
D745,201 S * 12/2015 Lee D26/63
D765,901 S * 9/2016 Chen D26/63
D774,231 S * 12/2016 Recker D26/63
D810,982 S * 2/2018 Liang D26/63
D826,445 S * 8/2018 Cao D26/63
D857,961 S * 8/2019 Mai D26/61
D858,842 S * 9/2019 Chen D26/63
D858,845 S * 9/2019 Zhang D26/63
D862,758 S * 10/2019 Zhu D26/63
D869,038 S * 12/2019 Recker D26/63
10,520,177 B2 * 12/2019 Bailey F21V 17/02
D878,656 S * 3/2020 Recker D26/63
D879,349 S * 3/2020 Li D26/63
2015/0036359 A1 * 2/2015 Chen F21S 8/033
362/368
2019/0056076 A1 * 2/2019 Thomas F21V 29/763

* cited by examiner

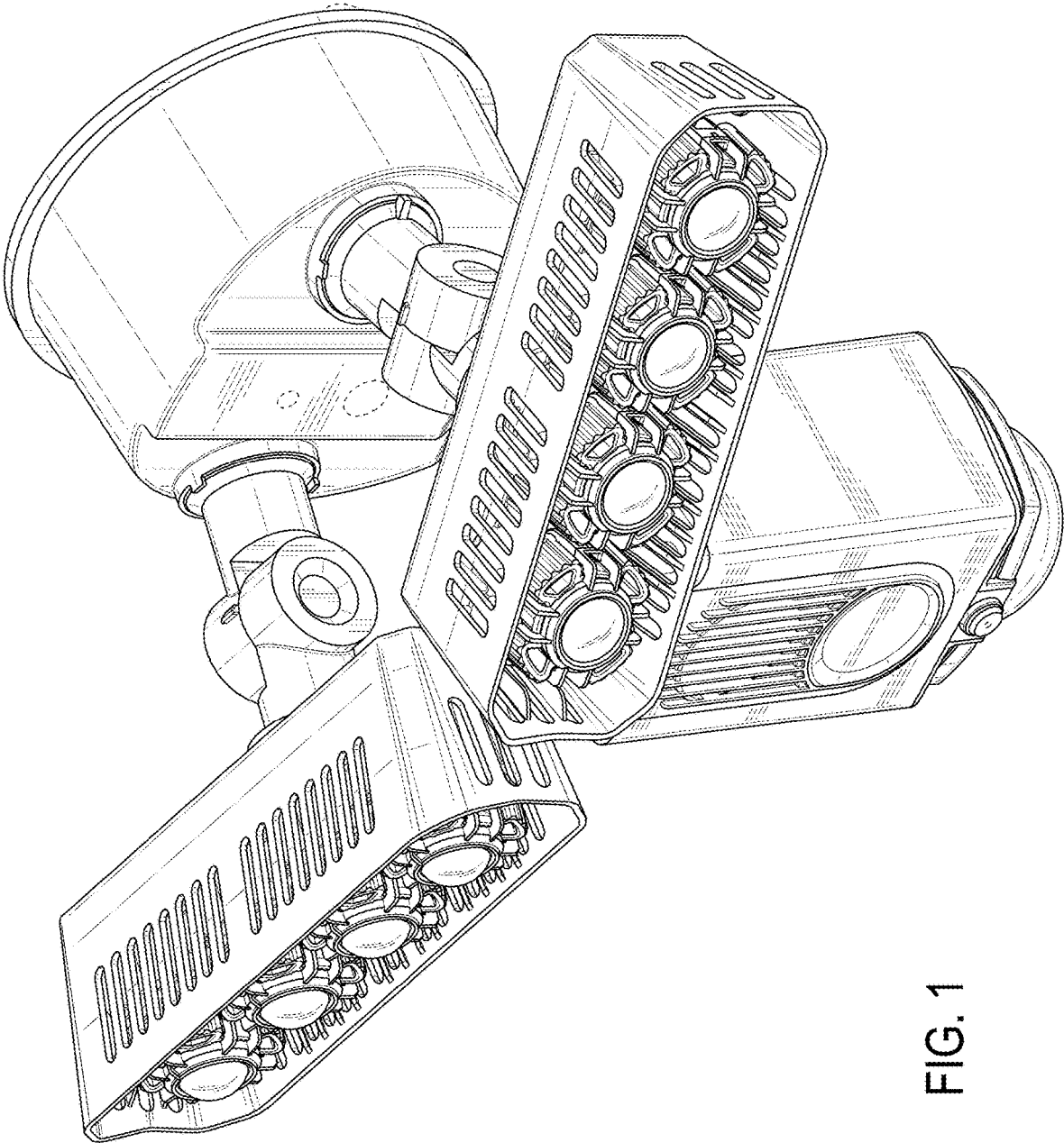


FIG. 1

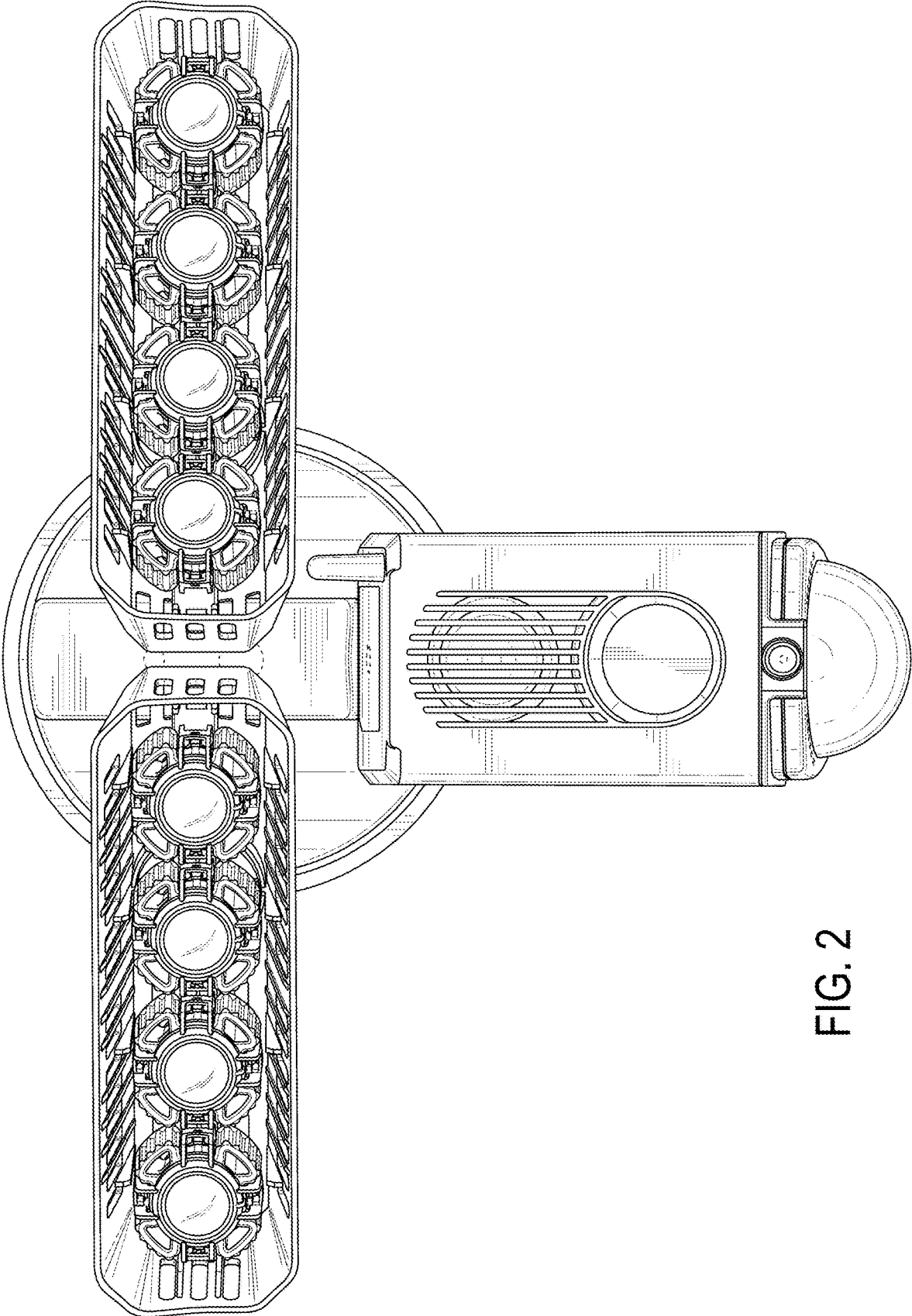


FIG. 2

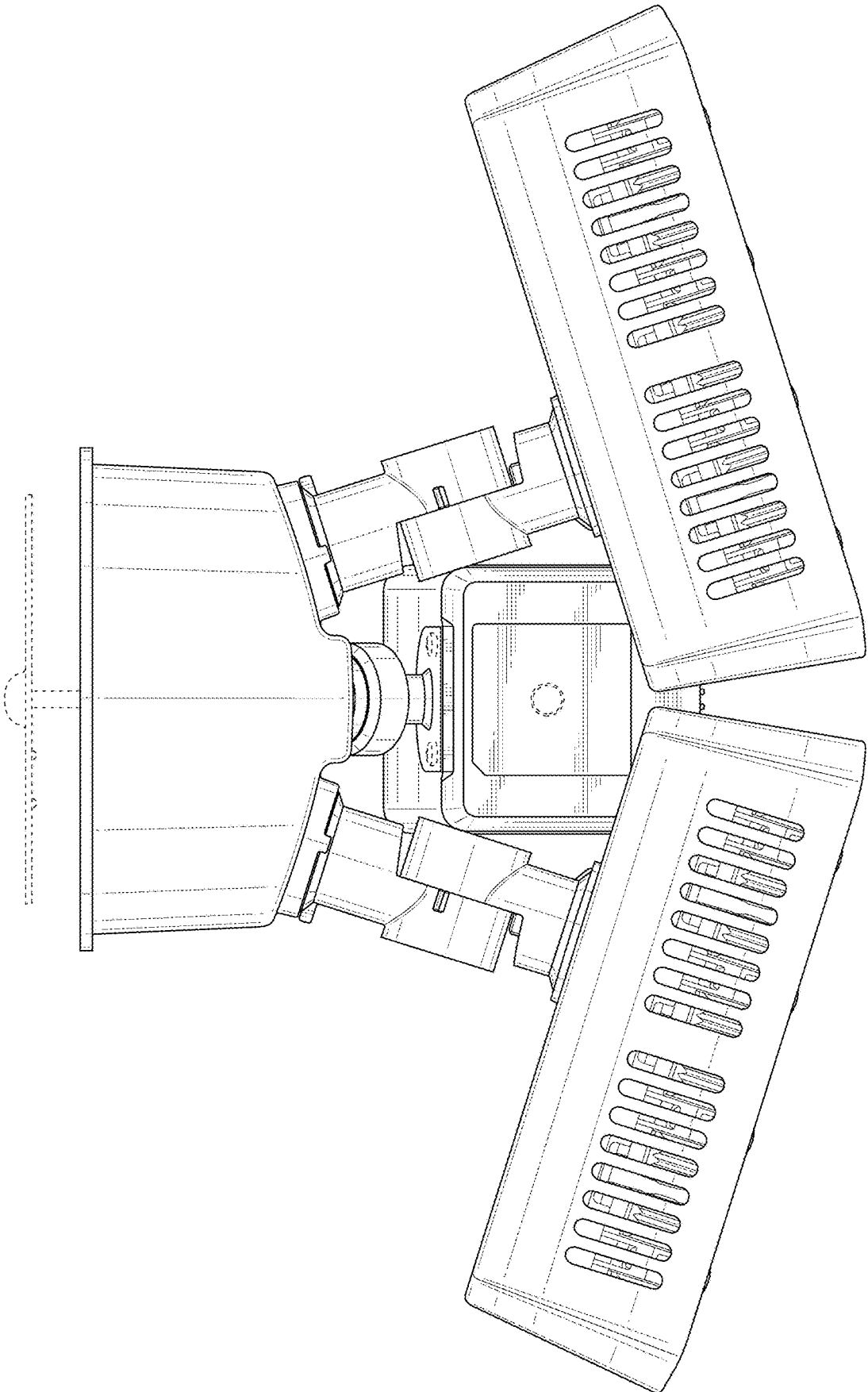


FIG. 3

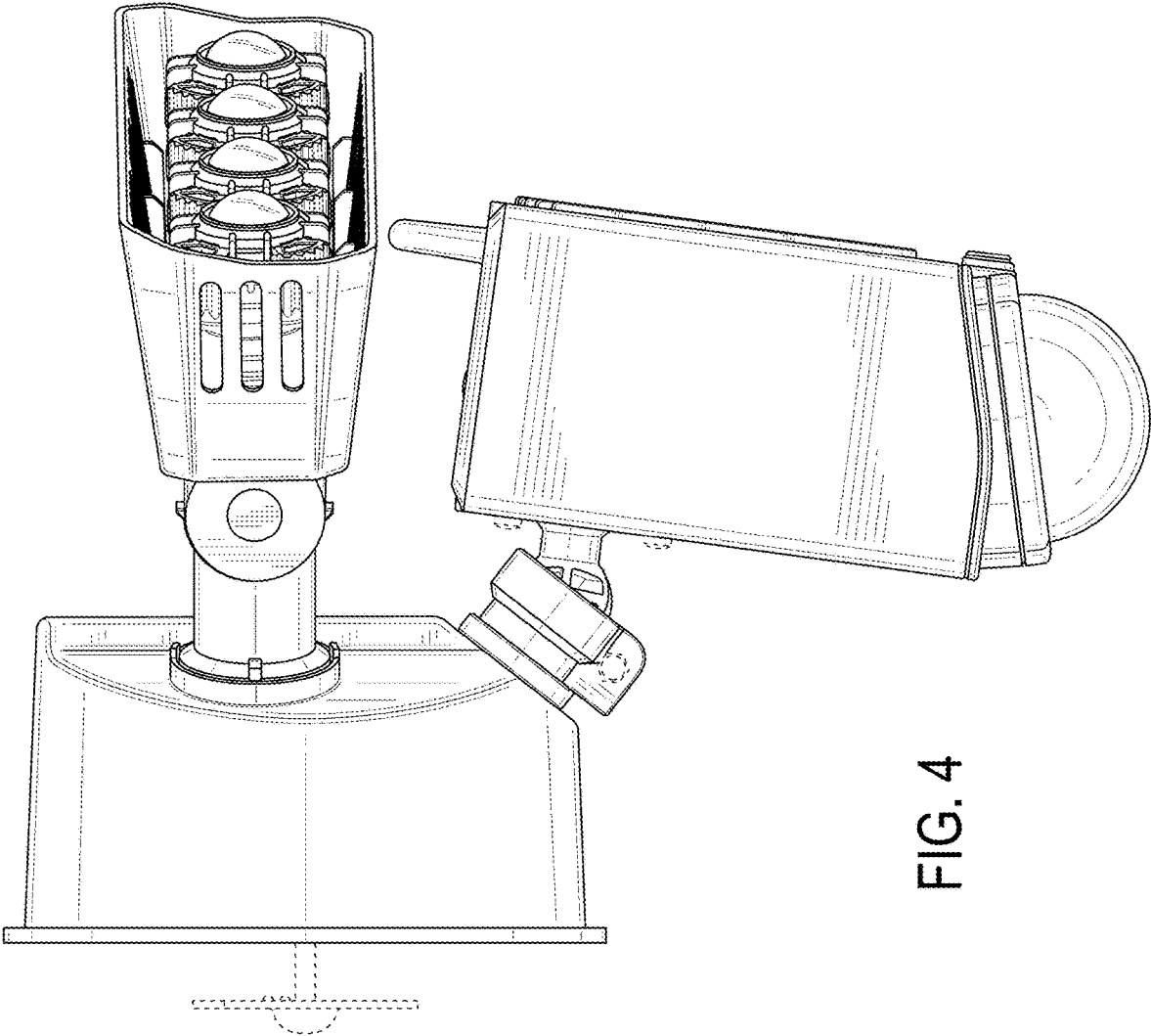


FIG. 4

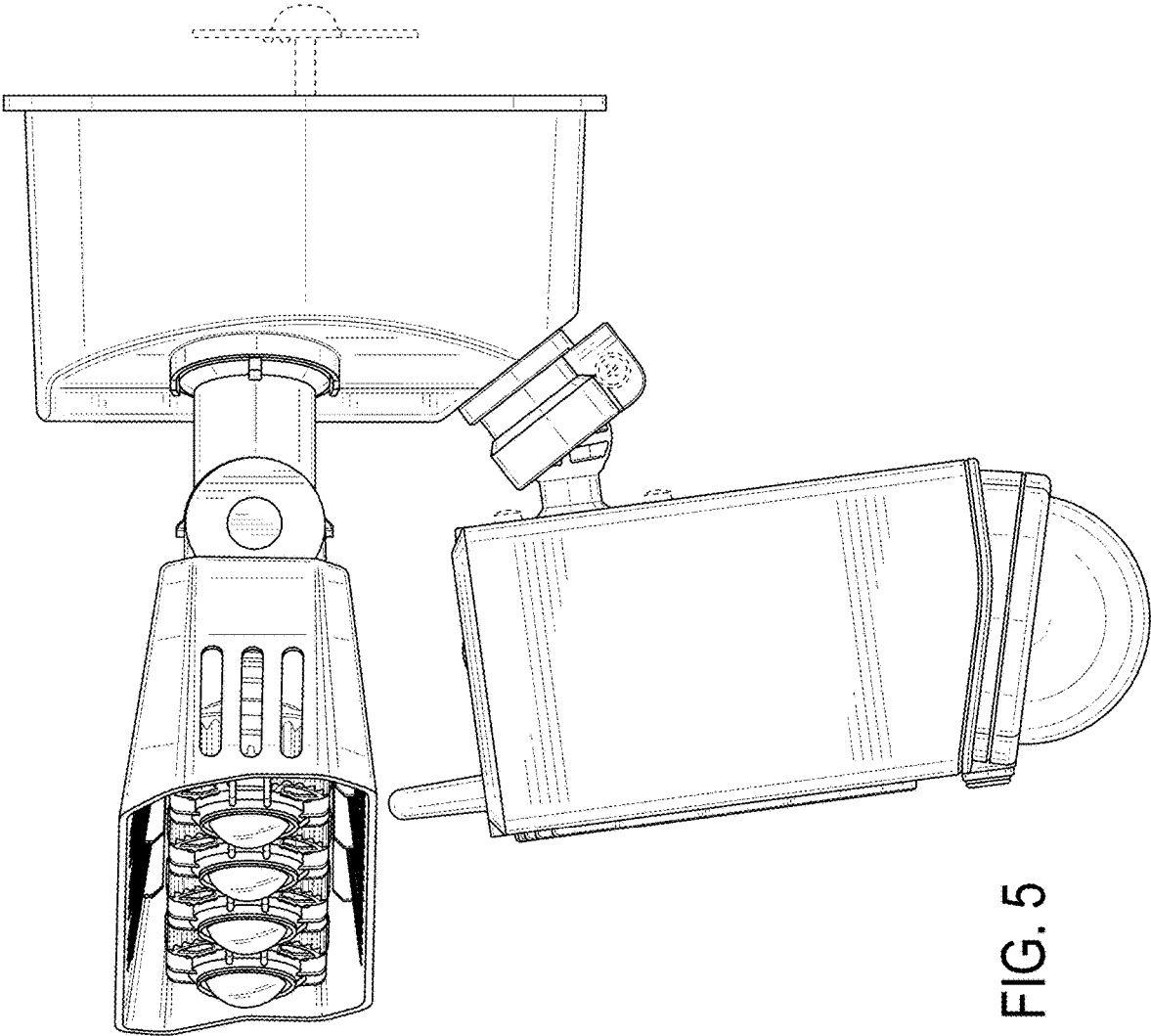


FIG. 5

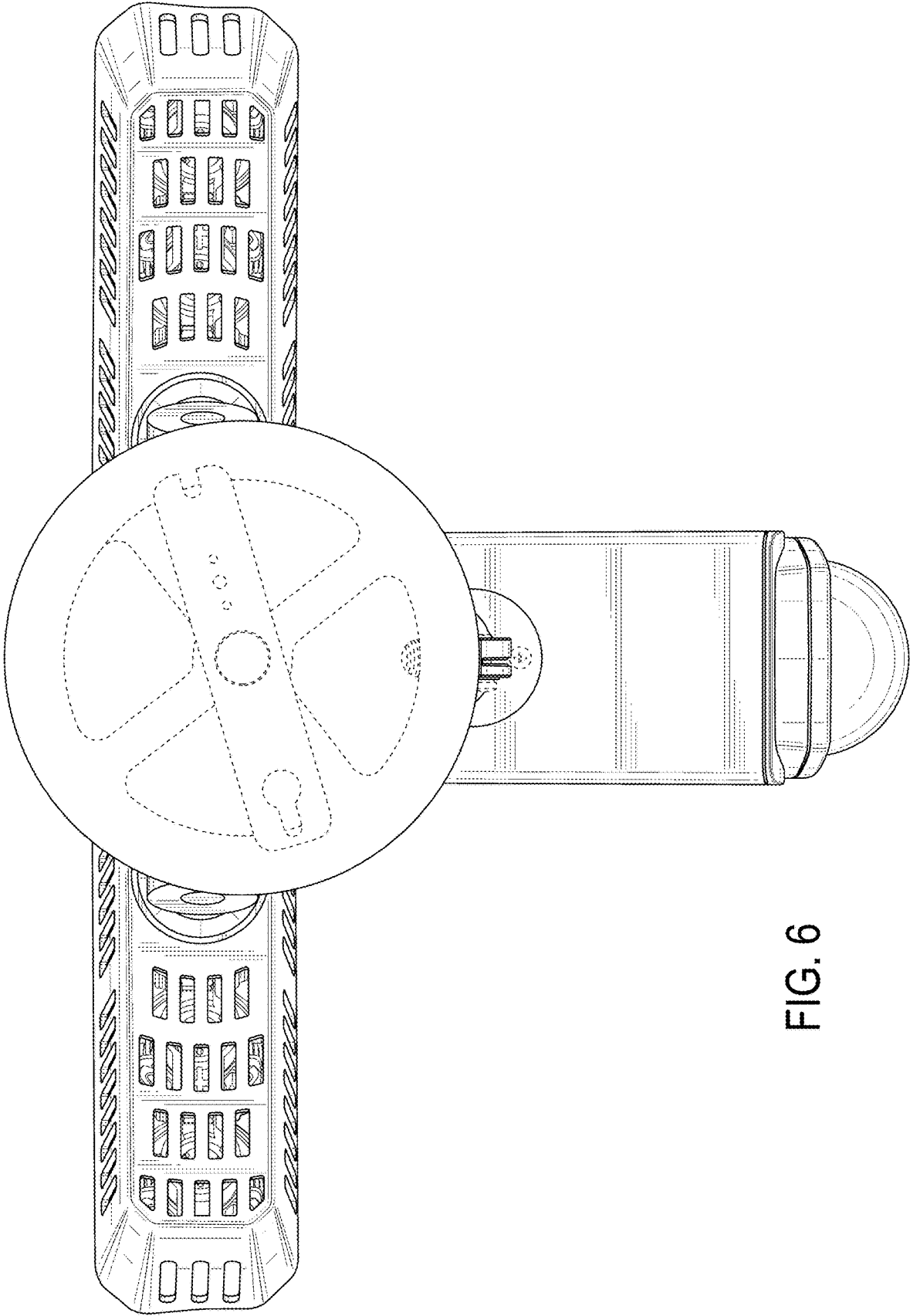


FIG. 6

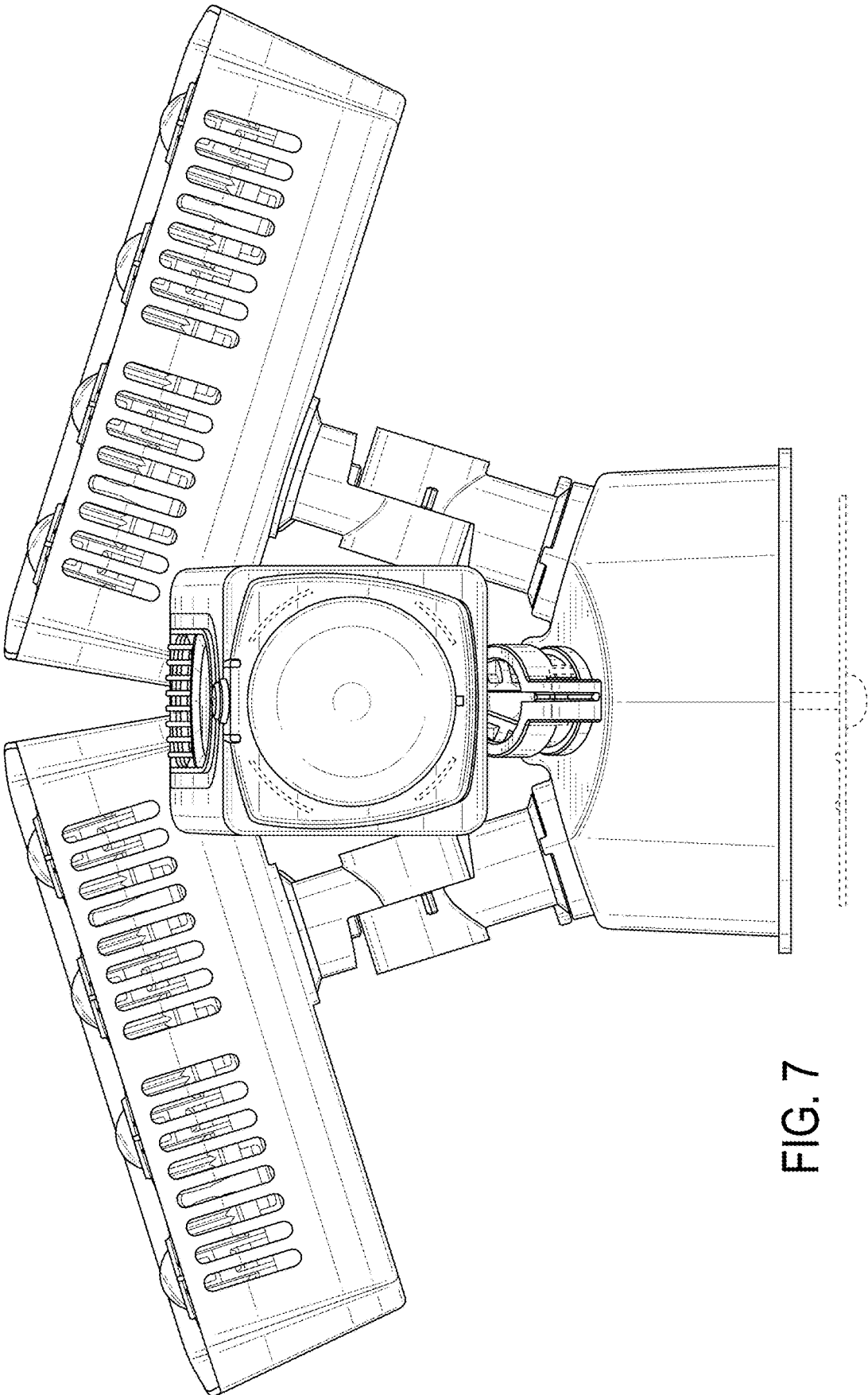


FIG. 7