

(19) World Intellectual Property
Organization
International Bureau



(43) International Publication Date
19 August 2004 (19.08.2004)

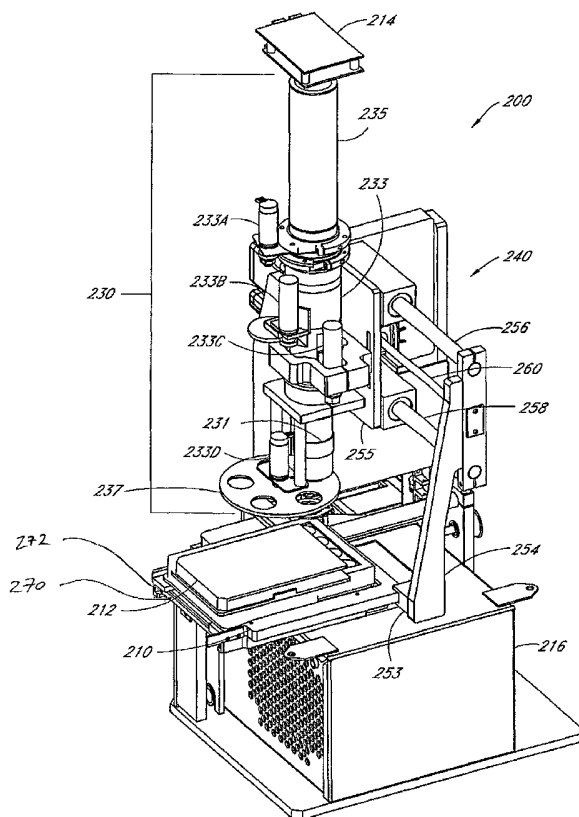
PCT

(10) International Publication Number
WO 2004/069984 A3

- (51) International Patent Classification⁷: G01N 21/84, (61) Related by addition to earlier applications or grants:
B01L 3/00, H05B 41/00 AT Not furnished (POA)
Filed on Not furnished
- (21) International Application Number: PCT/US2004/003239 DE Not furnished (POA)
Filed on Not furnished
- (22) International Filing Date: 30 January 2004 (30.01.2004) (71) Applicant (for all designated States except US): DIS-
COVERY PARTNERS INTERNATIONAL [US/US];
9640 Towne Centre Drive, San Diego, CA 92121 (US).
- (25) Filing Language: English (72) Inventors; and
- (26) Publication Language: English (75) Inventors/Applicants (for US only): AFFLECK, Rhett,
L. [US/US]; 18116 Old Coach Road, Poway, CA 92064
(US). LEVIN, Robert, K. [US/US]; 3328 Bevis Street,
San Diego, CA 92111 (US). LILLIG, John, E. [US/US];
15161 Huntington Gate Drive, Poway, CA 92064 (US).
NEEPER, Robert, K. [US/US]; 12153 Cimbria Way,
Lakeside, CA 92040 (US).
- (30) Priority Data:
60/444,585 31 January 2003 (31.01.2003) US (74) Agent: HART, Daniel; Knobbe, Martens, Olson & Bear,
LLP, 2040 Main Street, 14th Floor, Irvine, CA 92614 (US).
- 60/444,519 31 January 2003 (31.01.2003) US
- 60/444,586 31 January 2003 (31.01.2003) US
- 60/474,989 30 May 2003 (30.05.2003) US

[Continued on next page]

(54) Title: AUTOMATED IMAGING SYSTEM AND METHOD



(57) Abstract: An imaging system (200) for automa-
tion of sample monitoring includes an image capture de-
vice (214) that cooperates with a lens assembly (230) for
imaging the samples on a sample plate (212) on a sample
mount (210) the lens assembly (230) and another
translator positions the sample plate (210) for acqui-
sition of the images. Some embodiments of the system
include a light source (216) configured to provide low
temperature, flash illumination of a sample plate.

WO 2004/069984 A3



(81) **Designated States** (*unless otherwise indicated, for every kind of national protection available*): AE, AG, AL, AM, AT (patent), AT (utility model), AU, AZ, BA, BB, BG, BR, BW, BY, BZ, CA, CH, CN, CO, CR, CU, CZ (patent), CZ (utility model), DE (patent), DE (utility model), DK (patent), DK (utility model), DM, DZ, EC, EE (patent), EE (utility model), EG, ES, FI (patent), FI (utility model), GB, GD, GE, GH, GM, HR, HU, ID, IL, IN, IS, JP, KE, KG, KP, KR, KZ, LC, LK, LR, LS, LT, LU, LV, MA, MD, MG, MK, MN, MW, MX, MZ, NA, NI, NO, NZ, OM, PG, PH, PL, PT, RO, RU, SC, SD, SE, SG, SK (patent), SK (utility model), SL, SY, TJ, TM, TN, TR, TT, TZ, UA, UG, US, UZ, VC, VN, YU, ZA, ZM, ZW.

(84) **Designated States** (*unless otherwise indicated, for every kind of regional protection available*): ARIPO (BW, GH,

GM, KE, LS, MW, MZ, SD, SL, SZ, TZ, UG, ZM, ZW), Eurasian (AM, AZ, BY, KG, KZ, MD, RU, TJ, TM), European (AT, BE, BG, CH, CY, CZ, DE, DK, EE, ES, FI, FR, GB, GR, HU, IE, IT, LU, MC, NL, PT, RO, SE, SI, SK, TR), OAPI (BF, BJ, CF, CG, CI, CM, GA, GN, GQ, GW, ML, MR, NE, SN, TD, TG).

Published:

— *with international search report*

(88) **Date of publication of the international search report:**

26 May 2005

For two-letter codes and other abbreviations, refer to the "Guidance Notes on Codes and Abbreviations" appearing at the beginning of each regular issue of the PCT Gazette.

INTERNATIONAL SEARCH REPORT

International application No.

PCT/US04/03239

A. CLASSIFICATION OF SUBJECT MATTER IPC(7) : G01N 21/84; B01L 3/00; H05B 41/00 US CL : 356/30; 422/99; 315/241P According to International Patent Classification (IPC) or to both national classification and IPC		
B. FIELDS SEARCHED Minimum documentation searched (classification system followed by classification symbols) U.S. : 356/30, 338, 364, 366, 367; 422/99; 315/241P Documentation searched other than minimum documentation to the extent that such documents are included in the fields searched NONE Electronic data base consulted during the international search (name of data base and, where practicable, search terms used) NONE		
C. DOCUMENTS CONSIDERED TO BE RELEVANT		
Category *	Citation of document, with indication, where appropriate, of the relevant passages	Relevant to claim No.
X --- Y / A	US 2003/0000597 A1 (GANZ et al) 2 January 2003 (02.01.2003), whole document.	1-2, 45, 10, 14 ----- 3, 6-7, 11, 13 / 12
X	US 3,768,386 A (MAIDA) 30 October 1973 (30.10.1973), column 1, lines 64-66.	3
Y	US 5,552,890 A (NANNA et al), 3 September 1996 (03.09.1996), figure 3 and column 5, lines 27-33.	6-7
Y	US 5,800,785 A (BOCHNER) 1 September 1998 (01.09.1998), column 7, lines 29-33.	11, 13 -----
--- A		12
X	US 6,064,477 A (MATSUMOTO et al) 16 May 2000 (16.05.2000), figure 1.	8-9
X	US 4,007,398 A (NAKAMURA et al) 8 February 1997 (08.02.1977), figure 1.	14-15
<input type="checkbox"/> Further documents are listed in the continuation of Box C. <input type="checkbox"/> See patent family annex.		
* Special categories of cited documents:	"T"	later document published after the international filing date or priority date and not in conflict with the application but cited to understand the principle or theory underlying the invention
"A" document defining the general state of the art which is not considered to be of particular relevance	"X"	document of particular relevance; the claimed invention cannot be considered novel or cannot be considered to involve an inventive step when the document is taken alone
"E" earlier application or patent published on or after the international filing date	"Y"	document of particular relevance; the claimed invention cannot be considered to involve an inventive step when the document is combined with one or more other such documents, such combination being obvious to a person skilled in the art
"L" document which may throw doubts on priority claim(s) or which is cited to establish the publication date of another citation or other special reason (as specified)	"&"	document member of the same patent family
"O" document referring to an oral disclosure, use, exhibition or other means		
"P" document published prior to the international filing date but later than the priority date claimed		
Date of the actual completion of the international search 28 January 2005 (28.01.2005)	Date of mailing of the international search report 04 MAR 2005	
Name and mailing address of the ISA/US Mail Stop PCT, Attn: ISA/US Commissioner for Patents P.O. Box 1450 Alexandria, Virginia 22313-1450 Facsimile No. (703)305-3230	Authorized officer Richard A Rosenberger <i>Shawn S. Hoyer</i> Telephone No. 703 308-0956	