



- (51) International Patent Classification:
E04B 1/00 (2006.01)
- (21) International Application Number:
PCT/LT2012/000004
- (22) International Filing Date:
23 April 2012 (23.04.2012)
- (25) Filing Language: English
- (26) Publication Language: English
- (30) Priority Data:
2011 032 22 April 2011 (22.04.2011) LT
- (72) Inventors; and
- (71) Applicants : YKLYMOV, Sapar [LT/LT]; Vasario 16-osios g. 19-54, Teleciu k., Garliavos apyl., 52315 Kauno r. (LT). VAINIKONIENE, Jurate [LT/LT]; Savanoriu pr., 161A, 50174 Kaunas (LT).
- (74) Agent: TARNAUSKIENE, Lyra; UAB Patentine ir teisine apsauga, Maironio g. 14B-1, 44298 Kaunas (LT).
- (81) Designated States (unless otherwise indicated, for every kind of national protection available): AE, AG, AL, AM, AO, AT, AU, AZ, BA, BB, BG, BH, BR, BW, BY, BZ,

CA, CH, CL, CN, CO, CR, CU, CZ, DE, DK, DM, DO, DZ, EC, EE, EG, ES, FI, GB, GD, GE, GH, GM, GT, HN, HR, HU, ID, IL, IN, IS, JP, KE, KG, KM, KN, KP, KR, KZ, LA, LC, LK, LR, LS, LT, LU, LY, MA, MD, ME, MG, MK, MN, MW, MX, MY, MZ, NA, NG, NI, NO, NZ, OM, PE, PG, PH, PL, PT, QA, RO, RS, RU, RW, SC, SD, SE, SG, SK, SL, SM, ST, SV, SY, TH, TJ, TM, TN, TR, TT, TZ, UA, UG, US, UZ, VC, VN, ZA, ZM, ZW.

- (84) Designated States (unless otherwise indicated, for every kind of regional protection available): ARIPO (BW, GH, GM, KE, LR, LS, MW, MZ, NA, RW, SD, SL, SZ, TZ, UG, ZM, ZW), Eurasian (AM, AZ, BY, KG, KZ, MD, RU, TJ, TM), European (AL, AT, BE, BG, CH, CY, CZ, DE, DK, EE, ES, FI, FR, GB, GR, HR, HU, IE, IS, IT, LT, LU, LV, MC, MK, MT, NL, NO, PL, PT, RO, RS, SE, SI, SK, SM, TR), OAPI (BF, BJ, CF, CG, CI, CM, GA, GN, GQ, GW, ML, MR, NE, SN, TD, TG).

Published:

— with international search report (Art. 21(3))

- (88) Date of publication of the international search report:
27 December 2012

(54) Title: METHOD FOR BUILDING CONSTRUCTION

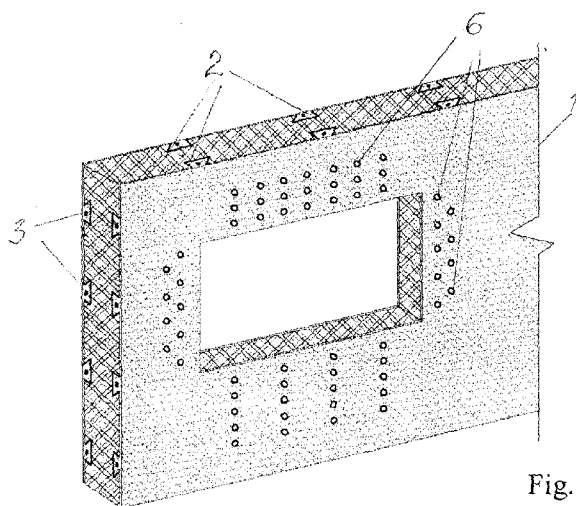


Fig. 2

(57) Abstract: The invention pertains to the construction industry. Building structural elements are cut with special cutting machines of polystyrene foam. For their fastening on both sides the transverse, longitudinal grooves (2) are made and filled with concrete mortar. For additional fastening of structural elements, reinforcing material (3) is inserted through the openings (5) of horizontally inserted anchors (4) and strengthened with concrete mortar. Without using reinforcing materials (3), anchors (4) are inserted into the structural elements, by inserting them horizontally. Transverse openings (6) are drilled in the walls (1), cylindrical parts are inserted in them and covered with concrete mortar. Load-bearing structures, retaining walls are connected to the foundation (7), which is tray-shaped, with rebars (9), which are vertically embedded in the foundation, including the rebars in vertical channels made in supporting load-bearing structures in the walls.



INTERNATIONAL SEARCH REPORT

International application No.

PCT/LT 2012/000004

A. CLASSIFICATION OF SUBJECT MATTER *E04B 1/00 (2006.01)*

According to International Patent Classification (IPC) or to both national classification and IPC

B. FIELDS SEARCHED

Minimum documentation searched (classification system followed by classification symbols)

E04B 1/00-1/34, E04C 2/00, 2/86

Documentation searched other than minimum documentation to the extent that such documents are included in the fields searched

Electronic data base consulted during the international search (name of data base and, where practicable, search terms used)

EAPATIS, Esp@cenet, PatSearch, RUPTO

C. DOCUMENTS CONSIDERED TO BE RELEVANT

Category*	Citation of document, with indication, where appropriate, of the relevant passages	Relevant to claim No.
A	US 6985832 B2 (NASSER SAEBI) 10.01.2006, abstract, fig. 1	1-7
A	US 6038824 A (WILLIAM T. HAMRICK) 21.03.2000, abstract, fig. 1, 8	1-7
A	RU 2293162 C1 (DOROFEEV SERGEI GRIGORIEVICH et al.) 10.02.2007, abstract, claims 1, 7, fig. 9	1-7
A	RU 2335605 C1 (OBSHESTVO S OGRANICHENNOY OTVETSTVENNOSTYU KONSALTINGOVAYA KOMPANIYA "VEKTOR") 10.10.2008, abstract, fig. 1	1-7

 Further documents are listed in the continuation of Box C. See patent family annex.

* Special categories of cited documents:

"A" document defining the general state of the art which is not considered to be of particular relevance

"E" earlier document but published on or after the international filing date

"L" document which may throw doubts on priority claim(s) or which is cited to establish the publication date of another citation or other special reason (as specified)

"O" document referring to an oral disclosure, use, exhibition or other means

"P" document published prior to the international filing date but later than the priority date claimed

"T" later document published after the international filing date or priority date and not in conflict with the application but cited to understand the principle or theory underlying the invention

"X" document of particular relevance; the claimed invention cannot be considered novel or cannot be considered to involve an inventive step when the document is taken alone

"Y" document of particular relevance; the claimed invention cannot be considered to involve an inventive step when the document is combined with one or more other such documents, such combination being obvious to a person skilled in the art

"&" document member of the same patent family

Date of the actual completion of the international search

03 September 2012 (03.09.2012)

Date of mailing of the international search report

27 September 2012 (27.09.2012)

Name and mailing address of the ISA/ FIPS
Russia, 123995, Moscow, G-59, GSP-5,
Berezhkovskaya nab., 30-1

Facsimile No. +7 (499) 243-33-37

Authorized officer

A. Borkov

Telephone No. (495)531-64-81