



HU000034391T2

(19) **HU**(11) Lajstromszám: **E 034 391**(13) **T2****MAGYARORSZÁG**  
Szellemi Tulajdon Nemzeti Hivatala**EURÓPAI SZABADALOM**  
**SZÖVEGÉNEK FORDÍTÁSA**(21) Magyar ügyszám: **E 12 183010**(51) Int. Cl.: **A47G 9/06** (2006.01)(22) A bejelentés napja: **2009. 11. 12.****E04H 15/62** (2006.01)

(96) Az európai bejelentés bejelentési száma:

**EP 20090183010**

(97) Az európai bejelentés közzétételi adatai:

**EP 2532285 A1** **2012. 12. 12.**

(97) Az európai szabadalom megadásának meghirdetési adatai:

**EP 2532285 B1** **2017. 08. 09.**

(30) Elsőbbségi adatok:

**200800622** **2008. 11. 14.** **BE**

(74) Képviselő:

**Danubia Szabadalmi és Jogi Iroda Kft.,**  
**Budapest**

(72) (73) Feltaláló(k) és szabadalmas(ok):

**Strauwen, Mario George Marie-Frans, 3850**  
**Nieuwerkerken (BE)**

(54)

**Ülő eszköz**

Az európai szabadalom ellen, megadásának az Európai Szabadalmi Közlönyben való meghirdetésétől számított kilenc hónapon belül, felszólalást lehet benyújtani az Európai Szabadalmi Hivatalnál. (Európai Szabadalmi Egyezmény 99. cikk(1))

A fordítást a szabadalmas az 1995. évi XXXIII. törvény 84/H. §-a szerint nyújtotta be. A fordítás tartalmi helyességét a Szellemi Tulajdon Nemzeti Hivatala nem vizsgálta.

(19)



(11)

**EP 2 532 285 B1**

(12)

**EUROPEAN PATENT SPECIFICATION**

(45) Date of publication and mention of the grant of the patent:  
**09.08.2017 Bulletin 2017/32**

(51) Int Cl.:  
**A47G 9/06 (2006.01) E04H 15/62 (2006.01)**

(21) Application number: **12183010.3**

(22) Date of filing: **12.11.2009**

(54) **Sitting means**

Sitzmittel

Moyens d'assise

(84) Designated Contracting States:  
**AT BE BG CH CY CZ DE DK EE ES FI FR GB GR HR HU IE IS IT LI LT LU LV MC MK MT NL NO PL PT RO SE SI SK SM TR**

(30) Priority: **14.11.2008 BE 200800622**

(43) Date of publication of application:  
**12.12.2012 Bulletin 2012/50**

(62) Document number(s) of the earlier application(s) in accordance with Art. 76 EPC:  
**09820082.7 / 2 355 678**

(73) Proprietor: **Strauwen, Mario George Marie-Frans 3850 Nieuwerkerken (BE)**

(72) Inventor: **Strauwen, Mario George Marie-Frans 3850 Nieuwerkerken (BE)**

(74) Representative: **Philippaerts, Yannick et al Arnold & Siedsma Bezuidenhoutseweg 57 2594 AC The Hague (NL)**

(56) References cited:  
**GB-A- 1 468 833 US-A- 4 599 754**  
**US-A- 4 703 528 US-A- 4 800 602**  
**US-A1- 2005 005 355 US-B1- 7 096 526**

**EP 2 532 285 B1**

Note: Within nine months of the publication of the mention of the grant of the European patent in the European Patent Bulletin, any person may give notice to the European Patent Office of opposition to that patent, in accordance with the Implementing Regulations. Notice of opposition shall not be deemed to have been filed until the opposition fee has been paid. (Art. 99(1) European Patent Convention).

## Description

**[0001]** The present invention relates to the field of towels, such as for instance beach towels.

**[0002]** When visiting the beach, sitting or recumbent users often do not wish to come into contact with the ground surface of the beach for reasons of comfort, hygiene or for aesthetic reasons. The ground surface can thus comprise earth, sand or rocks in a wide variety of sizes. This ground surface can be wet, can be contaminated with unhygienic material, be damp, warm or cold and so on. Certainly in the case of sandy beaches, this ground surface can moreover adhere to the user, which can bring about an uncomfortable sensation and/or irritation of the skin. The for instance adhering sand may then release elsewhere so that for instance the car or the holiday bed hereby becomes soiled. It can further also irritate the user and have an adverse effect on his or her mood.

**[0003]** Many users nowadays therefore use a beach towel which they spread out on the beach and on which they take up position, the beach towel here having a contact surface which comes into contact with the ground surface and an upper surface which can serve as clean sitting surface.

**[0004]** This use is however associated with various discomforts. The towel may thus be blown over partially or even wholly under the influence of the wind, which may bring about movement of ground, for instance sand, to the upper surface of the towel.

**[0005]** The movement of the user on the towel may also modify the position of the towel and can transform a previously rather flat ground surface to a surface having height differences to the extent that this irritates the user.

**[0006]** Height differences are often already present in the ground surface, or users form determined height differences in the ground surface, or users form determined height differences in the ground surface beforehand which can provide a more comfortable recumbent position when the towel is arranged thereon in the correct position. The positioning or orientation of the towel may also have been carefully considered. Blowing over of the towel or movement on or walking over the towel can modify this position such that a repositioning of the towel is necessitated.

**[0007]** It may also be the case that a towel is not suitable for the purpose of remaining in stable position against a determined surface.

**[0008]** A prior art towel is typically folded up after the visit to the beach, and is often placed into a beach bag to be taken home because of its size and the possibility of undesirable unfolding of the towel were it to be carried by hand or when the user no longer has hands free. The residues of the ground surface still adhering to the towel hereby end up in the beach bag, which is undesirable. A prior art sitting means according to the preamble of claim 1 is described in US4703528A, considered the closest prior art for the present invention. It is an object of the

present invention to provide a sitting means which resolves at least one of the above stated problems.

**[0009]** This is achieved with the characterizing features of claim 1.

5 **[0010]** Further aspects of the present invention are described in the dependent claims.

**[0011]** The accompanying drawings are used to illustrate embodiments of the present invention.

10 **[0012]** Reference symbols are chosen such that they are the same for similar or the same elements or features in different figures or drawings.

15 **[0013]** The above stated and other advantageous features and objects of the invention will become more apparent and the invention better understood as a result of the following detailed description when read in combination with the respective drawings.

**[0014]** The description of the aspects of the present invention is given by means of specific embodiments and with reference to, but not limited to, specific drawings.

20 The shown figures are only schematic and must be deemed as being non-limitative. Specific elements or features can for instance be represented out of proportion or scale in relation to other elements.

**[0015]** Figure 1 shows a typical prior art situation. Towel 1 lies on a ground surface of the beach, for instance a sandy beach or a pebble beach, and here defines a towel surface 10. Like most towels, the shown towel is of rectangular shape and has four right angles 11, 12, 13, 14. This towel typically lies with its underside (or lower surface) on the ground surface and has an upper side (or upper surface) which remains clear of the ground surface. The upper side hereby remains clean and provides a comfortable location for the user. However, when there is wind and/or people walk over the towel or displace or move thereon, the position of the towel can change. It can for instance also be blown upward such that a part (for instance a corner of the towel) folds over. This can result in ground material still getting onto the towel, which may reduce user comfort. This can also further reduce the available surface area of the towel. It can also change the position of the towel, which is often undesirable. The towel often has a determined position. A towel is sometimes arranged in the ground and must be arranged in a well-considered position. The wind or other influences can change this position such that the towel has to be repositioned.

45 **[0016]** Figures 2A-2E show towels of sitting means according to embodiments of the present invention, although many other embodiments are possible. This towel is preferably polygonal, in this case rectangular, but can also have other shapes. The towel does not necessarily have to comprise corners and can also comprise a periphery with curves, or for instance a single corner and a curve which mutually connects the legs of the corner, or for instance two corners, the legs of which are mutually connected by means of curves. The dimensions of a towel can for instance be 200 cm x 100 cm, or 200 cm x 130 cm, or 200 cm x 200 cm, although any dimensions are

possible in principle. This towel 1 can comprise one or more holes 2 in each of its corners. Each corner can thus be provided with one hole (see for instance Fig. 2B), two holes close to each corner (see for instance Fig. 2A, 2E), or with three holes close to each corner (see for instance Fig. 2C and 2D). Holes can further also be provided along the sides of the towel, remote from the corners (see for instance Fig. 2D, 2E). In a particular embodiment each corner can be provided with two holes close to the corner, each hole of which is arranged along the sides define the associated corner. There can also be three holes, wherein a third hole is also arranged in addition to the two above defined holes which is even closer to the corner than the two other holes, such that the three holes together form two legs which form a right angle to each other.

**[0017]** The holes can for instance be circular but can also take other forms, such as for instance triangular, quadrangular (for instance square, rectangular or rhombic), polygonal (optionally regular), elliptic and so on. The circular holes can have a diameter  $d$  of about 1 cm, about 1.5 cm, about 2 cm, although other values are also possible.

**[0018]** Figures 3A, 3B, 3E, 3F and figure 14 show anchoring means of a sitting means according to the present invention. These anchoring means comprise pins which are adapted to co-act with the holes in the towel as defined for instance in figures 2A-2E. Figure 3A shows an anchoring means which comprises more than one pin (32, 32'), both of which are connected to each other by means of holder 31. This holder can thus also function as a connecting piece between these pins. This holder can further be adapted to allow pressure to be exerted in the direction of the pins in order to thus drive the pins into the ground. Figure 3B shows a further variant of the anchor wherein three pins 32, 32', 32" are connected by means of a holder 31. Figure 3E shows a further anchoring means wherein a cross-shaped holder 31 is provided at the outer end of each of the crossed arms with a pin 32. The holder can be used for instance to position two adjacently lying towels relative to each other. Other anchors can also be provided which are adapted to engage in openings of different towels which have been developed for positioning in a predetermined manner relative to each other. Figure 3F shows a further anchoring means wherein the holder is substantially T-shaped, and wherein the anchoring device comprises a pin 32 close to each of the outer ends of the "T". The length  $H$  of the pins can for instance be about 5 cm, 6 cm, 7 cm, 8 cm, 9 cm, more preferably about 10 cm, about 11 cm, 12 cm, 13 cm, 14 cm, about 15 cm, although shorter and longer pins are not precluded and the appropriate length can vary as a function of for instance the relevant ground surface. The width  $b$  of the holders can be for instance about 2 cm, about 3 cm or about 4 cm, although other smaller or greater widths are also possible. The length  $l$  (optionally of a leg) of the holder can be about 8 cm, 9 cm, 10 cm, 11 cm, 12 cm, although other lengths are also possible, as can be appreciated by a skilled person. Dif-

ferent legs can also comprise different lengths, as illustrated for instance in Figure 3B by lengths  $l$  and  $l'$ .  $l$  is preferably equal to  $l'$ . The embodiments of the "T" type can for instance comprise a length  $L$  of the "horizontal" part of about 15 cm, 16 cm, 17 cm, 18 cm, 19 cm, 20 cm, although greater and smaller values are also possible. The "vertical" part of the T, which lies perpendicularly of the "horizontal" part and connects thereto close to the centre thereof, can for instance have a length of 5 cm, 6 cm, 7 cm, 8 cm, 9 cm, 10 cm, although other values are also possible.

**[0019]** Figure 14 shows a further anchoring means wherein the anchoring device comprises an L-shaped holder which comprises two pins placed at the outer ends of the legs of the L. This anchoring means differs from the anchoring means shown in Figure 3B in that the pin close to the right angle defined by the L-shape is not present. Note that the holder can be adapted to extend during use as far as a corner of the towel without comprising a pin in this corner (in respect of the towel without a hole in the corner). Figure 4A shows anchoring means of a sitting means not according to the present invention, wherein the pin can correspond to a pin of an anchor as shown in figures 3A, B, E and F, but wherein these anchors co-act with a socket 4 which is adapted for driving into the ground on one side and which comprises on the other side a coupling means for coupling to the anchors as described above (see for instance figure 4A).

**[0020]** Figures 5A to 5C show further embodiments of towels of sitting means of the present invention, wherein a towel comprises one hole in each of the four corners, but wherein the towel takes the form of a trapezium, but with two opposite sides of equal length. A specifically considered choice of the shape of the towel can allow storing of this towel in simple manner. A trapezoidal towel can for instance be easily rolled up such that two openings remain free on the outer end of the rolled-up towel. The towel can then be easily stored or carried by inserting an engaging means through these free openings 2 after the towel has for instance first been folded together and the openings aligned. This engaging means can for instance be a ring which can then be attached afterward to for instance a trouser buckle or rucksack.

**[0021]** Figures 6A to 6C illustrate a method for storing a towel of a sitting means to embodiments of the present invention. This shown towel is of the rectangular type and comprises one opening in each of the four corners (figure 6A). By folding the towel in two in lengthwise direction the holes can be aligned two by two one over the other (figure 6B). Further folding of the towel can ensure that the four holes are aligned in one corner of the folded towel (figure 6C). Through these aligned holes can then be arranged an engaging means, such as for instance a ring or cord, which can facilitate carrying of the towel.

**[0022]** Figure 7 shows a further anchor of a sitting means not according to the present invention. Pin 32 here comprises its freestanding part at the top, and on the other side a part adapted to be driven into the ground,

a screw thread 42, or an element with screw thread which can couple to a modified nut such as a wing nut. Over the screw thread can then be arranged a holder (not shown) which is in turn tensioned fixedly by means of the structure of the nut type (for instance the wing nut), herein pressing downward and holding the towel fast. The nut structure or the structure of screw thread type 6 can further be integrated with holder 31 (in other words the structure can be part of the holder or form the holder) such that the holder itself can be tightened over the pin provided with thread or element to which the pin is connected.

**[0023]** Figure 8 shows a further towel which has a substantially rectangular periphery, but wherein a further flap 101 is provided at each corner which protrudes from this rectangle. Each of these flaps can be provided with an opening which allows fixing of the towel relative to the ground surface.

**[0024]** Figures 10A and 10B show a towel, wherein the towel is further provided around the opening with a covering. This covering (101, 101') can for instance be provided in towelling fabric and can conceal the opening from view. This covering can further comprise an opening, such as for instance an incision, particularly when this covering is permanent (is for instance fixed above the opening). This covering can for instance comprise two mutually adjacent and abutting pieces of fabric which together cover the opening (figure 10B, 101, 101'). The covering can be made from one piece when the anchoring means are fixed to the towel, and so form an integrated part thereof. When however the covering can be opened by means of for instance the incision in the towelling fabric (or if two mutually adjacent pieces of fabric are present (101,101')), the anchor can be driven into the ground through the opening, after which the anchor holds (the corner of) the towel against the ground surface. The one, two or more flaps (101,101') or the covering can then once again be arranged on top of the holder such that the holder is also concealed from view. The covering of the holder can also result in a safer use of the anchoring means. The anchoring devices, which in some embodiments are hard, could injure the user or reduce the comfort of the user if they are not shielded by means of a (softer) covering. Note that in figure 10A the flaps 101 which can be comprised in the towel do not themselves comprise any holes but are adapted and positioned to cover a nearby opening in the towel.

**[0025]** Figures 11A and 11B show towels wherein the holes or openings in the towel are reinforced. In figure 11A a reinforcement is realized by means of a ring manufactured from metal or plastic. In determined embodiments this ring can be arranged in a towel which initially comprises no holes. The ring can be pressed through the towel, herein creating an opening in the towel, and can then be further deformed in order to further strengthen the edge of the opening. In determined embodiments, after pressing out of the opening in the towel, the ring can be further folded shut around the edge of the opening

such that the ring has a first part adjoining the front side of the towel and a second part adjoining the rear side of the towel which are connected to each other via a part of the ring situated along the side of the opening. Figure 11B shows another form of reinforcement. This reinforcement can take place by arranging an overlooking or stitching over the edge of the opening. The openings can also be strengthened by being covered with a piece of fabric, this piece of fabric then being sewn fixedly around the opening.

**[0026]** A further aspect of the present invention is described in figure 15. Two towels (151, 152) having a specific shape so that they can together form a yin-yang symbol are provided with holes around their periphery. The sitting means as shown is preferably further provided with eight anchoring means consisting of an elongate holder connecting the non-free outer ends of two pins at a time, and wherein the free outer ends of the pins can be arranged through the pairs of nearby holes. Some of these pairs of holes are arranged along and in the edge of one of the towels. Other pairs of holes are formed by positioning the towels in a predetermined manner relative to each other such that for instance one hole of a first towel is placed adjacently of one hole of a second towel, wherein a holder can be arranged through these two holes, and wherein this holder extends over portions of both towels. In this embodiment eight similar anchoring means could for instance be provided in order to fix the whole sitting means comprising the two towels into the ground.

**[0027]** A further embodiment is described in figure 16, wherein three towels are arranged in the form of an "L" in a manner such that there is a first distance D between a first (A) and a second (B) towel, and so that there is a distance D' between a second and a third (C) towel. The anchoring means preferably also comprise two pins in each case. Two different pairs of identical anchoring means can for instance be provided, wherein the distance between the two pins is different for the two pairs. By making a suitable choice of the positions of the holes, the shape of the towels and the distance between the two pins of the anchoring means, it is preferably possible to ensure that the two towels touch each other (D = 0).

**[0028]** Figure 17A shows a further embodiment wherein six towels, which are of the same form and comprise in each case an opening in two adjoining corners, are positioned relative to each other so as to thus form a "flower" structure wherein six anchors engage over two holes at a time. One of these holes is in a first towel and the other hole is in a second towel.

**[0029]** Figure 17B illustrates that, for instance by varying the distance between the two pins of the anchoring means (for instance  $L1 < L2$ ), it is possible to provide for an angle  $\alpha$  between two rectangular towels of the same form arranged adjacently of each other on the ground surface, wherein for instance each of these towels comprises one opening in each of its relevant corners. At the top they touch each other and at the bottom an opening has been created between the sides of the towels laid

adjacently of each other.

**[0030]** Figure 19 describes a further embodiment wherein an anchor as described in figure 3E can be used to fix two towels relative to each other and the ground surface, wherein the two towels have a predetermined overlap, by further arranging holes at suitable positions in the towels. Four corresponding holes have here been arranged in both towels, three of which have been arranged along the edge of each towel and wherein a fourth is arranged away from the edge toward the interior of the towel.

**[0031]** Figure 20 describes a further embodiment wherein two towels of the same form are placed adjacently of each other in lengthwise direction and wherein the side of these towels overlap slightly, so that a strip-like overlap (S) (see figure 21) is obtained between the two towels. This strip-like overlap has for instance a constant width. The rectangular towels are provided with holes close to their four corners, and for instance also along the edges in the lengthwise direction of the towel. The holes are arranged at predetermined locations so that, when laid down overlapping, a number of these holes correspond and are aligned so that predetermined corresponding anchors can be arranged in the ground through the overlapping holes. As a result these anchors can be used to fix two or more towels simultaneously relative to the ground surface. In the specific example of figure 20 the two towels are laid adjacently of each other with an overlap of the width of the overlap strip of for instance several to ten centimetres, and a number of holes of the relevant towels are aligned in the zone of overlap.

**[0032]** Figure 21 illustrates the use of a T-shaped anchor in the embodiment of figure 20, for instance as illustrated in figure 3F, in order to fix two towels relative to the ground surface close to the zone of overlap. The anchor of figure 3E can also be used for this purpose. Anchors as illustrated in figures 3A and 3B, as well as other anchors, can further also be used to fix together the two or more towels relative to the ground surface.

## Claims

1. A sitting means comprising at least two towels, the towels each comprising at least two holes, the sitting means further comprising at least one anchoring means, wherein the number, the shape and dimensions of the towels, the number and the positions of the holes in these towels and the number and dimensions of the at least one anchoring means are predetermined to enable forming of a predefined pattern on the ground surface with the towels, **characterized in that** said at least one anchoring means is adapted to be arranged through the openings of the towels and to be anchored in the ground, and wherein each of the anchoring means comprises at least two pin structures which are adapted at their free

outer ends to enable being driven into the ground and which are connected at their other outer ends to a towel holder adapted to be able to rest on the upper surface of the one or more towels, so holding these against the ground surface.

2. The sitting means according to claim 1, comprising a plurality of towels, a plurality of holes in each of these towels and plurality of anchoring means in order to define and fix the predetermined pattern on the ground surface.

3. The sitting means according to any of claims 1 to 2, wherein said predefined pattern comprises at least one overlap zone between at least two different towels.

4. The sitting means according to any of the previous claims, wherein the anchoring means do not touch the ground surface when they are arranged according to the predetermined pattern.

5. The sitting means according to any of the previous claims, wherein the anchoring means do not protrude above the surface of the respective towels when arranged.

6. The sitting means according to claim 1, wherein the pin structures of such anchoring means are preferably adapted to be struck into the ground by exerting pressure on the holder.

7. The sitting means according to claims 1 or 6, wherein the holder of at least one of the anchoring means can be rolled up.

8. The sitting means according to claims 1, 6 or 7, wherein the holder of at least one anchoring means is rigid or non-deformable.

9. The sitting means according to any of the previous claims, wherein the towels are polygonal and comprise at least one opening close to each corner.

10. The sitting means according to any of the previous claims, wherein the towels further comprise openings along the edges of the towel, remote from the corners of the towel.

11. The sitting means according to any of the previous claims, wherein the towels further comprise openings in the interior of the towel, remote from the corners and from the edges of the towel.

## Patentansprüche

1. Sitzeinrichtung, umfassend zumindest zwei Handtü-

cher, die jeweils zumindest zwei Löcher enthalten, wobei die Sitzeinrichtung ferner zumindest eine Verankerungseinrichtung umfasst, wobei die Anzahl, die Form und Abmessungen der Handtücher, die Anzahl und die Positionen der Löcher in diesen Handtüchern und die Anzahl und Abmessungen der zumindest einen Verankerungseinrichtung bestimmt sind, um die Bildung eines zuvor festgelegten Musters mit den Handtüchern auf der Geländeoberfläche zu ermöglichen,

**dadurch gekennzeichnet, dass** die zumindest eine Verankerungseinrichtung dazu geeignet ist, durch die Öffnungen der Handtücher angeordnet und im Boden verankert zu werden, und wobei jede der Verankerungseinrichtungen zumindest zwei Stiftstrukturen umfasst, die dazu geeignet sind, an ihren freien äußeren Enden ein Eintreiben in den Boden zu ermöglichen, und die an ihren anderen äußeren Enden mit einem Handtuchhalter verbunden sind, der dazu geeignet ist, auf der oberen Fläche des einen oder der mehreren Handtücher ruhen zu können, um so diese gegenüber der Geländeoberfläche zu halten.

2. Sitzeinrichtung nach Anspruch 1, umfassend eine Vielzahl von Handtüchern, eine Vielzahl von Löchern in jedem dieser Handtücher und eine Vielzahl von Verankerungseinrichtungen, um das bestimmte Muster auf der Geländeoberfläche festzulegen und zu fixieren.
3. Sitzeinrichtung nach einem der Ansprüche 1 bis 2, wobei das bestimmte Muster zumindest eine Überlappungszone zwischen zumindest zwei verschiedenen Handtüchern umfasst.
4. Sitzeinrichtung nach einem der vorhergehenden Ansprüche, wobei die Verankerungseinrichtungen die Bodenfläche nicht berühren, wenn sie entsprechend dem bestimmten Muster angeordnet sind.
5. Sitzeinrichtung nach einem der vorhergehenden Ansprüche, wobei die Verankerungseinrichtungen nicht über die Oberfläche der jeweils angeordneten Handtücher ragen.
6. Sitzeinrichtung nach Anspruch 1, wobei die Stiftstrukturen derartiger Verankerungseinrichtungen vorzugsweise dazu geeignet sind, durch Ausüben eines Drucks auf den Halter in den Boden geschlagen zu werden.
7. Sitzeinrichtung nach den Ansprüchen 1 oder 6, wobei der Halter zumindest einer der Verankerungseinrichtungen aufgewickelt werden kann.
8. Sitzeinrichtung nach den Ansprüchen 1, 6 oder 7, wobei der Halter zumindest einer Verankerungsein-

richtung starr oder nicht verformbar ist.

9. Sitzeinrichtung nach einem der vorhergehenden Ansprüche, wobei die Handtücher polygonal sind und zumindest eine Öffnung nahe jeder Ecke enthalten.
10. Sitzeinrichtung nach einem der vorhergehenden Ansprüche, wobei die Handtücher ferner von den Handtuchecken entfernt Öffnungen längs der Handtuchränder enthalten.
11. Sitzeinrichtung nach einem der vorhergehenden Ansprüche, wobei die Handtücher ferner von den Ecken und den Rändern des Handtuchs entfernt Öffnungen im Handtuchinnern enthalten.

### Revendications

1. Moyens d'assise comprenant au moins deux serviettes, les serviettes comprenant chacune au moins deux trous, les moyens d'assise comprenant en outre au moins un moyen d'ancrage, dans lequel le nombre, la forme et les dimensions des serviettes, le nombre et les positions des trous dans ces serviettes et le nombre et les dimensions de l'au moins un moyen d'ancrage sont prédéterminés de façon à permettre la formation d'un motif prédéfini sur la surface de sol avec les serviettes, **caractérisé en ce que** ledit au moins un moyen d'ancrage est adapté pour être disposé à travers les ouvertures des serviettes et pour être ancré dans le sol, et dans lequel chacun des moyens d'ancrage comprend au moins deux structures de broche qui sont adaptées au niveau de leurs extrémités extérieures libres de façon à permettre une pénétration dans le sol et qui sont reliées au niveau de leurs autres extrémités extérieures à un support de serviette adapté de façon à pouvoir prendre appui sur la surface supérieure des une ou plusieurs serviettes, maintenant par conséquent celles-ci contre la surface de sol.
2. Moyens d'assise selon la revendication 1, comprenant une pluralité de serviettes, une pluralité de trous dans chacune de ces serviettes et une pluralité de moyens d'ancrage afin de définir et fixer le motif prédéterminé sur la surface de sol.
3. Moyens d'assise selon l'une quelconque des revendications 1 à 2, dans lequel ledit motif prédéfini comprend au moins une zone de chevauchement entre au moins deux serviettes différentes.
4. Moyens d'assise selon l'une quelconque des revendications précédentes, dans lesquels les moyens d'ancrage ne touchent pas la surface de sol lorsqu'ils sont disposés selon le motif prédéterminé.

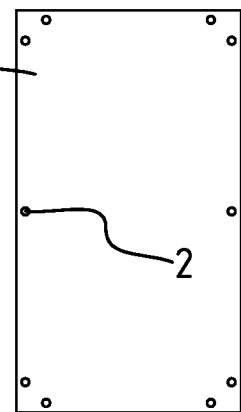
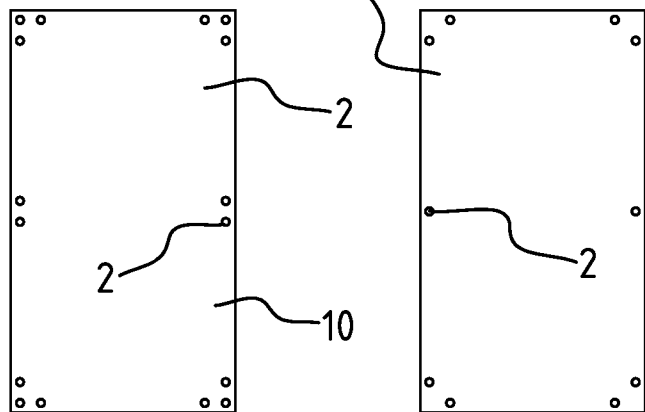
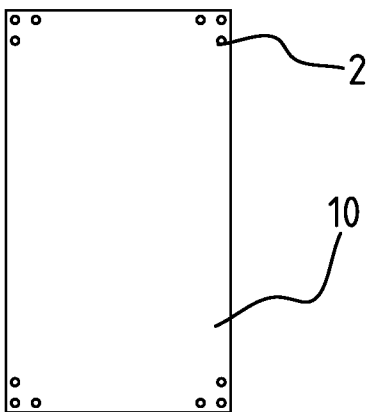
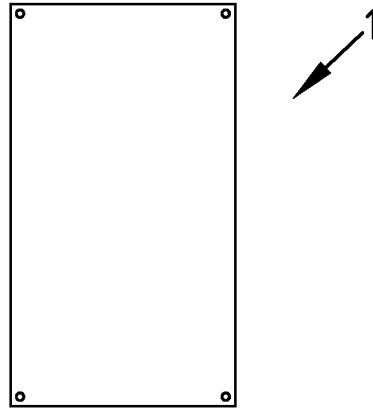
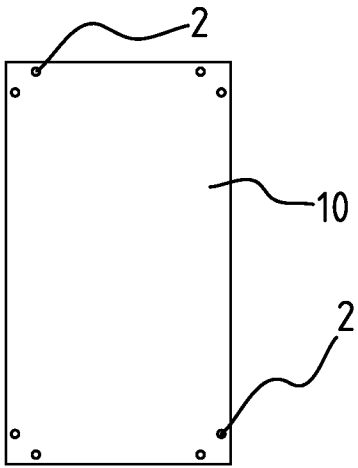
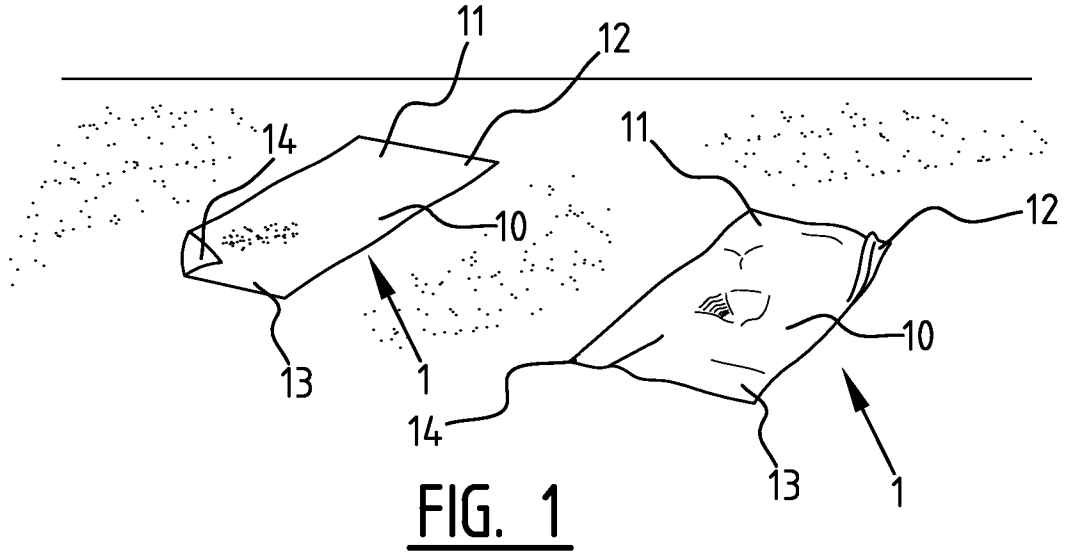
5. Moyens d'assise selon l'une quelconque des revendications précédentes, dans lesquels les moyens d'ancrage ne font pas saillie au-dessus de la surface des serviettes respectives, une fois disposés. 5
6. Moyens d'assise selon la revendication 1, dans lesquels les structures de broche de tels moyens d'ancrage sont de préférence adaptées pour être enfoncées dans le sol en exerçant une pression sur le support. 10
7. Moyens d'assise selon les revendications 1 ou 6, dans lesquels le support d'au moins un moyen d'ancrage peut être enroulé. 15
8. Moyens d'assise selon les revendications 1, 6 ou 7, dans lesquels le support d'au moins un des moyens d'ancrage est rigide ou indéformable. 20
9. Moyens d'assise selon l'une quelconque des revendications précédentes, dans lesquels les serviettes sont polygonales et comprennent au moins une ouverture proche de chaque coin. 25
10. Moyens d'assise selon l'une quelconque des revendications précédentes, dans lesquels les serviettes comprennent en outre des ouvertures le long des bords de la serviette, à distance des coins de la serviette. 30
11. Moyens d'assise selon l'une quelconque des revendications précédentes, dans lesquels les serviettes comprennent en outre des ouvertures dans l'intérieur de la serviette, à distance des coins et des bords de la serviette. 35

40

45

50

55



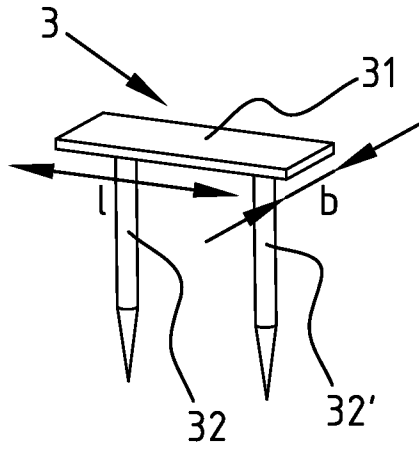


FIG. 3A

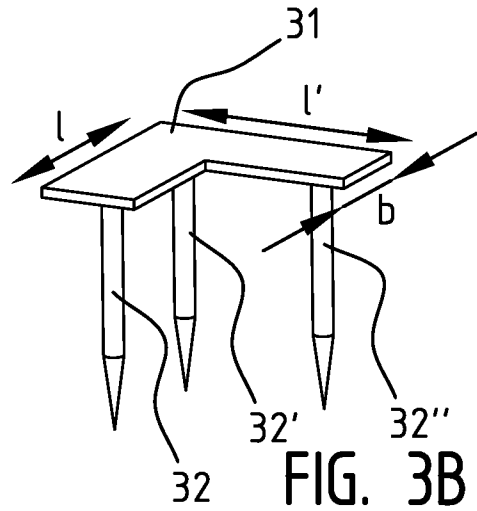


FIG. 3B

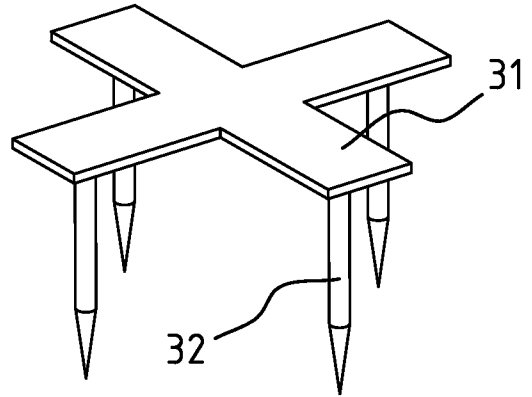


FIG. 3E

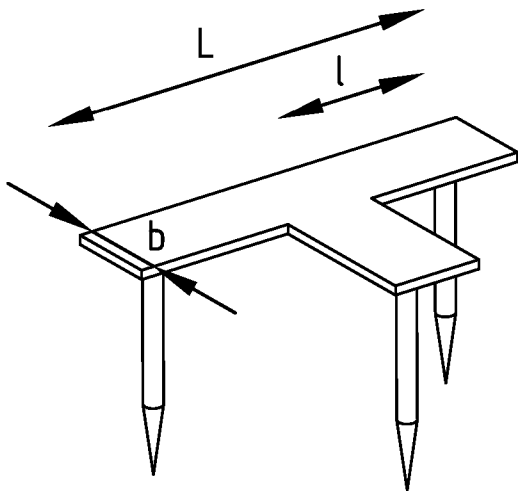


FIG. 3F

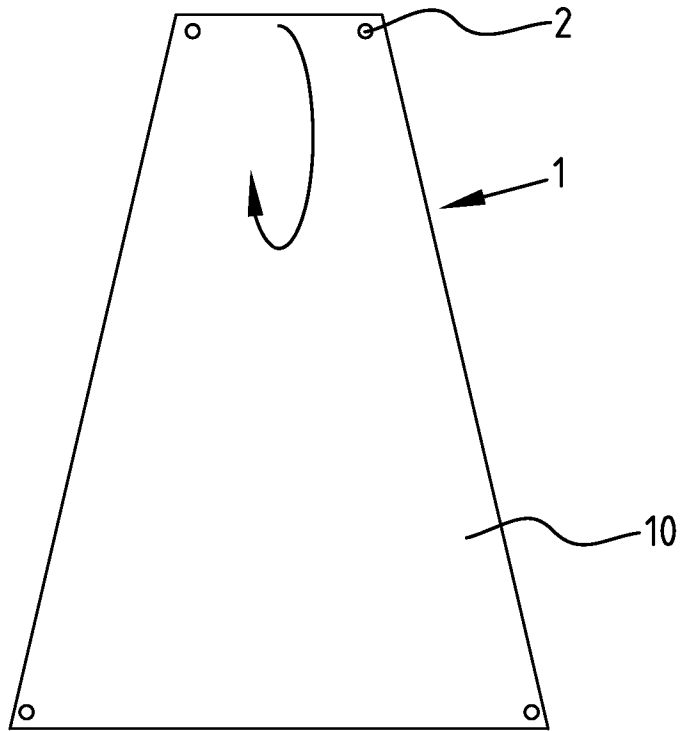


FIG. 5A

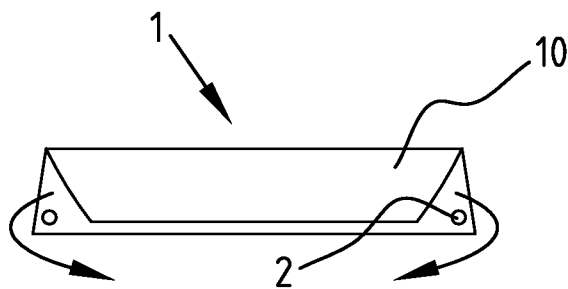


FIG. 5B

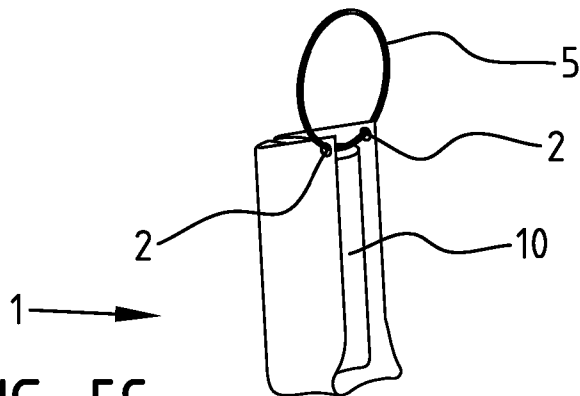


FIG. 5C

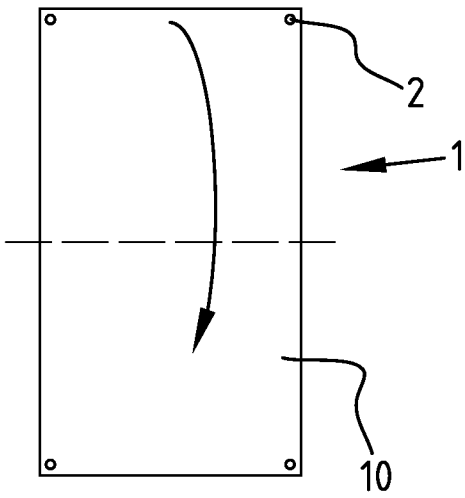


FIG. 6A

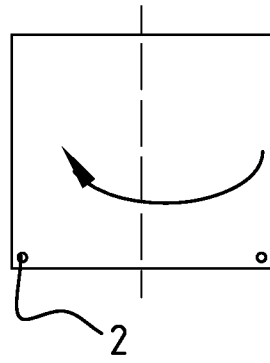


FIG. 6B

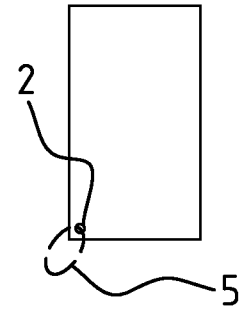


FIG. 6C

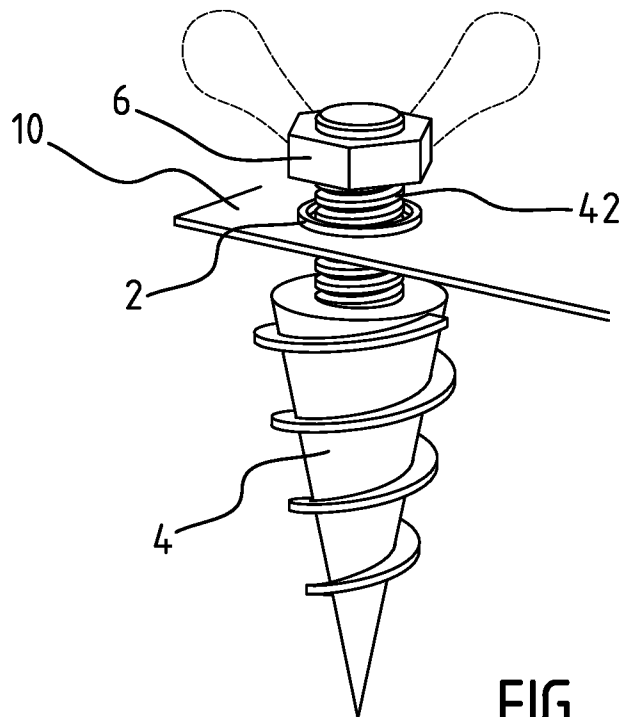


FIG. 7

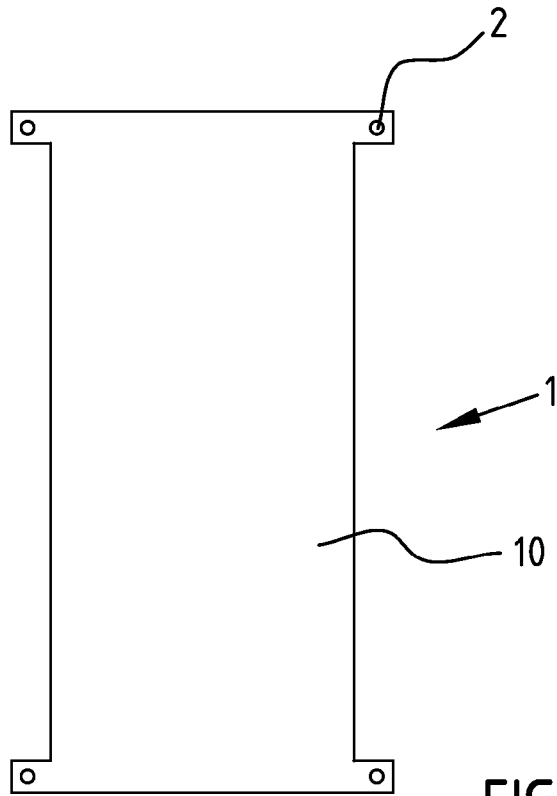


FIG. 8

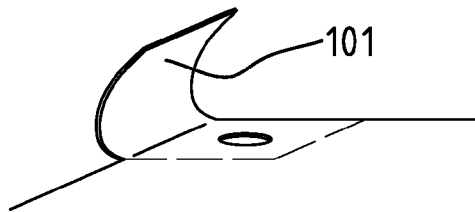


FIG. 10A

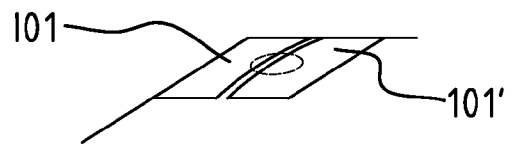


FIG. 10B

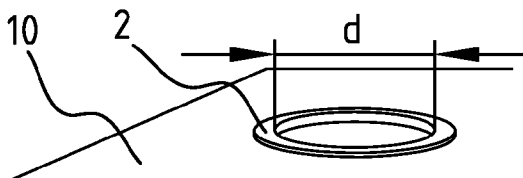


FIG. 11A

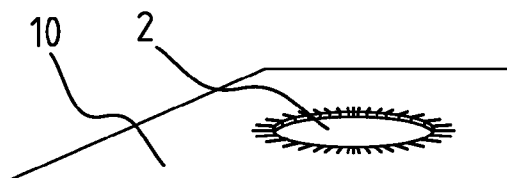


FIG. 11B

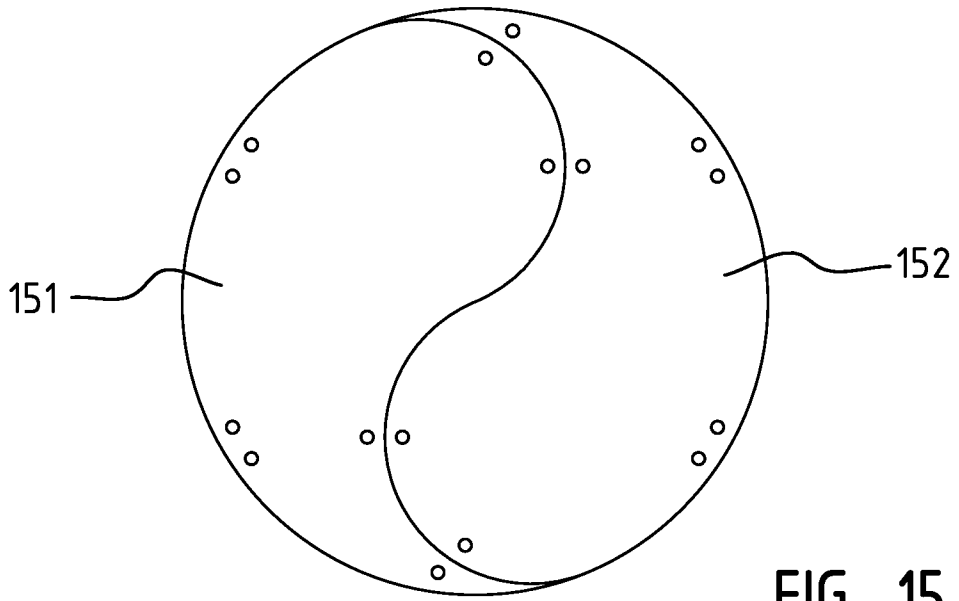


FIG. 15

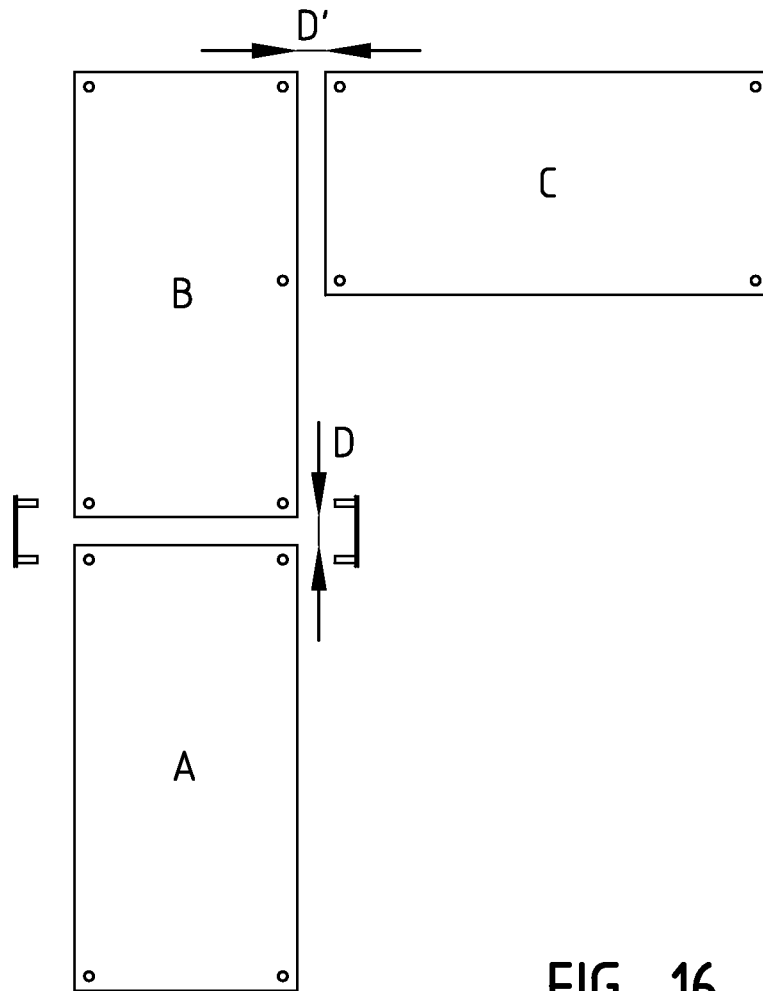


FIG. 16

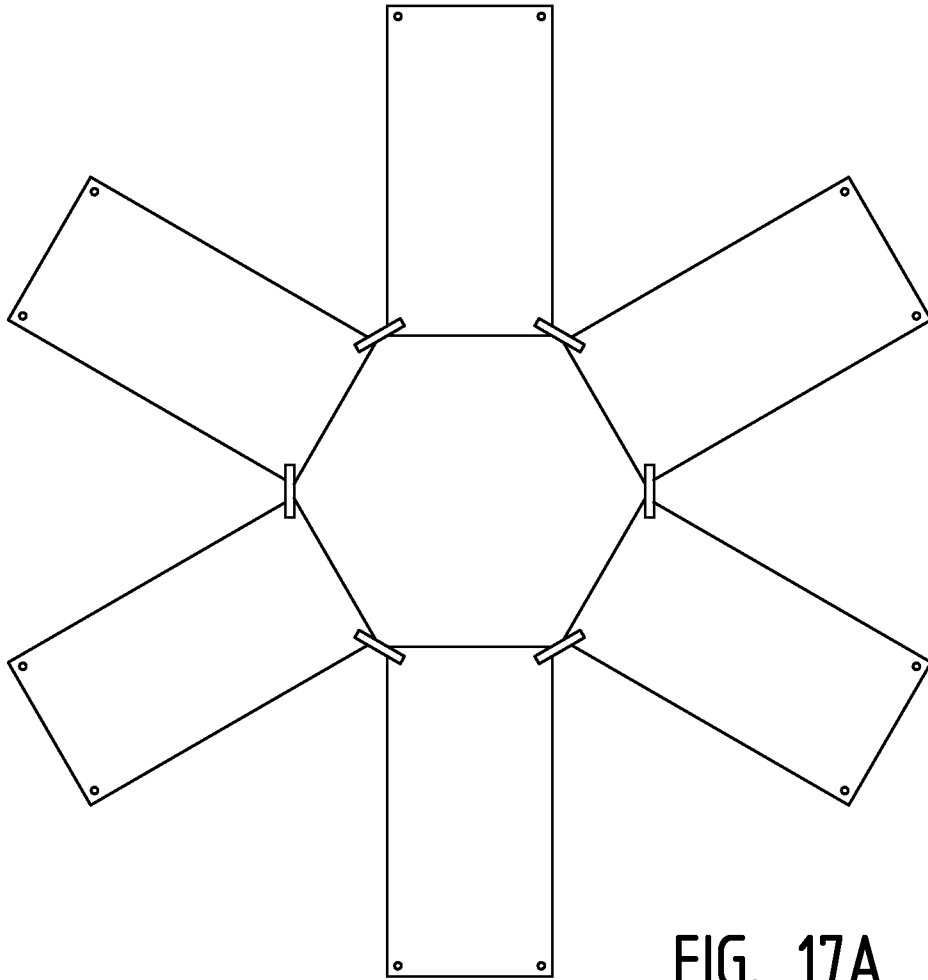


FIG. 17A

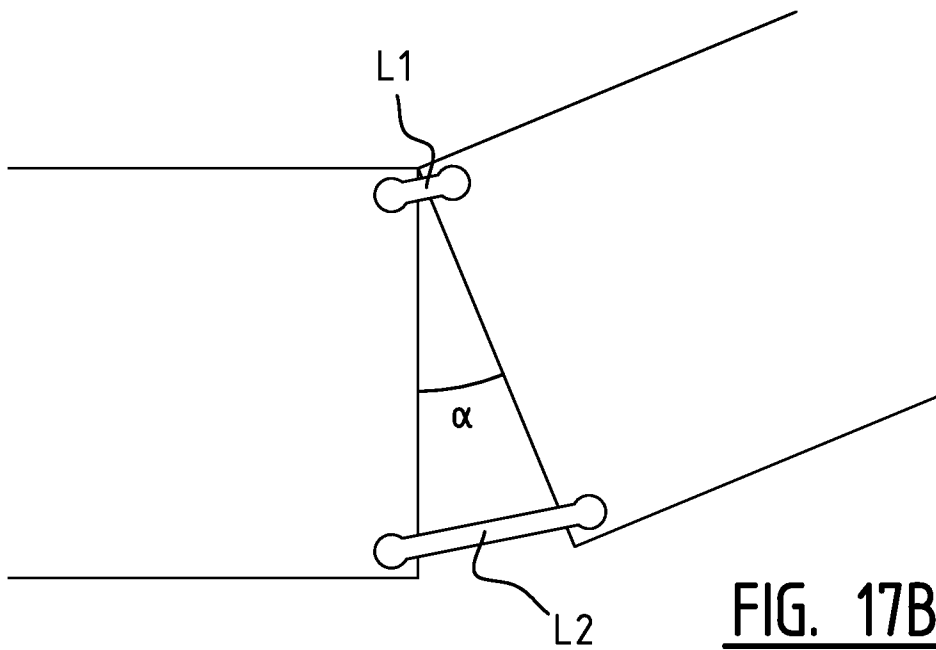
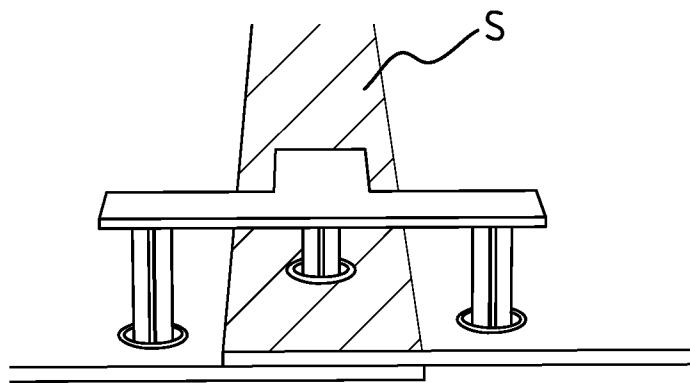
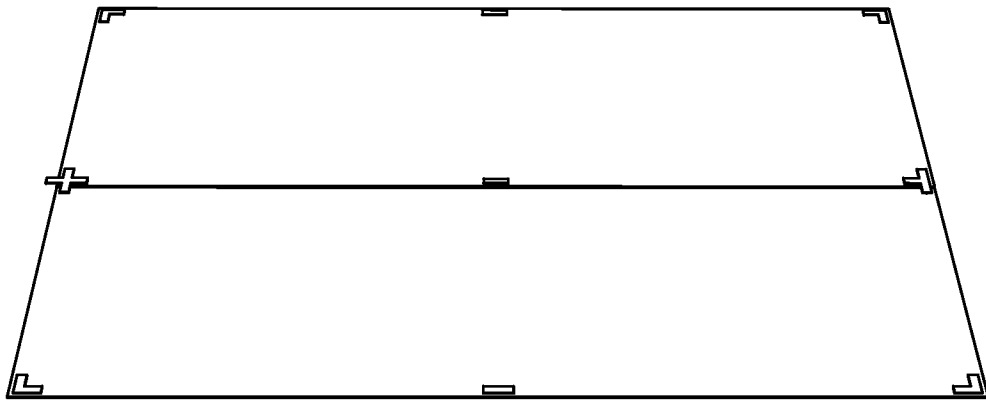
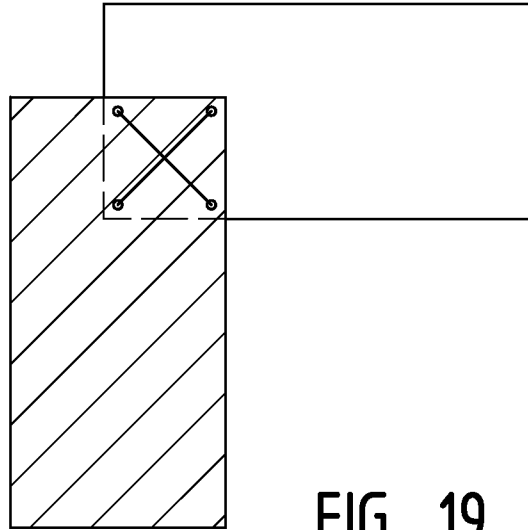


FIG. 17B



**REFERENCES CITED IN THE DESCRIPTION**

*This list of references cited by the applicant is for the reader's convenience only. It does not form part of the European patent document. Even though great care has been taken in compiling the references, errors or omissions cannot be excluded and the EPO disclaims all liability in this regard.*

**Patent documents cited in the description**

- US 4703528 A [0008]

ÜLŐ ESZKÖZ  
SZABADALMI IGÉNYPONTOK

1. Ülő eszköz ami tartalmaz legalább két törülközőt, amiken van legalább két lyuk, és tartalmaz még legalább egy rögzítő eszközt, ahol a törülközők száma, alakja és mérete, a törülközőkben lévőlyukak száma és elrendezése és a legalább egy rögzítő eszköz száma, méretei úgy vannak meghatározva, hogy egy meghatározott mintát alkossanak a talajon a törülközőkkel, **azzal jellemezve, hogy a legalább egy rögzítő eszköz keresztülvezethető legyen a törülközők nyílásain és rögzíthető legyen a talajban, és ahol mindegyik rögzítő eszköz tartalmaz legalább két tűhegyet a két végén, amik bevezethetők a talajba, és amik másik végüknél csatlakoztathatók egy törülköző tartóhoz, ami az egy vagy több törülköző felső felületén fekszik és azt a talajon tartja.**
2. Az 1. igénypont szerinti ülő eszköz, ami tartalmaz törülközőket, lyukakat a törülközőkben és rögzítő eszközöket, hogy meghatározzanak és rögzítsenek egy meghatározott mintát a talajon.
3. Az 1. vagy 2. igénypont szerinti ülő eszköz, ahol a meghatározott minta tartalmaz egy átlapoló zónát legalább két törülköző között.
4. Az előző igénypontok bármelyike szerinti ülő eszköz, ahol a rögzítő eszközök nem érintik a talajt, amikor az adott minta szerint vannak elrendezve.
5. Az előző igénypontok bármelyike szerinti ülő eszköz, ahol a rögzítő eszközök nem nyúlnak túl az adott törülközők felületén, amikor el vannak elrendezve.
6. Az 1. igénypont szerinti ülő eszköz, ahol a rögzítő eszközök tűhegyei célszerűen úgy vannak kialakítva, hogy a talajba szúrhatók a tartóra kifejtett nyomással.
7. Az 1. vagy 6. igénypont szerinti ülő eszköz, ahol legalább egy rögzítő eszköz tartója feltekerhető.
8. Az 1, 6. vagy 7. igénypont szerinti ülő eszköz, ahol legalább egy rögzítő eszköz tartója merev vagy nem deformálható.
9. Az előző igénypontok bármelyike szerinti ülő eszköz, ahol a törülközők sokszög alakúak és legalább egy nyílást tartalmaznak mindegyik sarok közelében.
10. Az előző igénypontok bármelyike szerinti ülő eszköz, ahol a törülközők tartalmaznak még nyílásokat a törülköző pereme mentén, a sarkoktól távol.
11. Az előző igénypontok bármelyike szerinti ülő eszköz, ahol a törülközők tartalmaznak még nyílásokat a törülköző belsejében, a sarkoktól és a szélektől távol.

